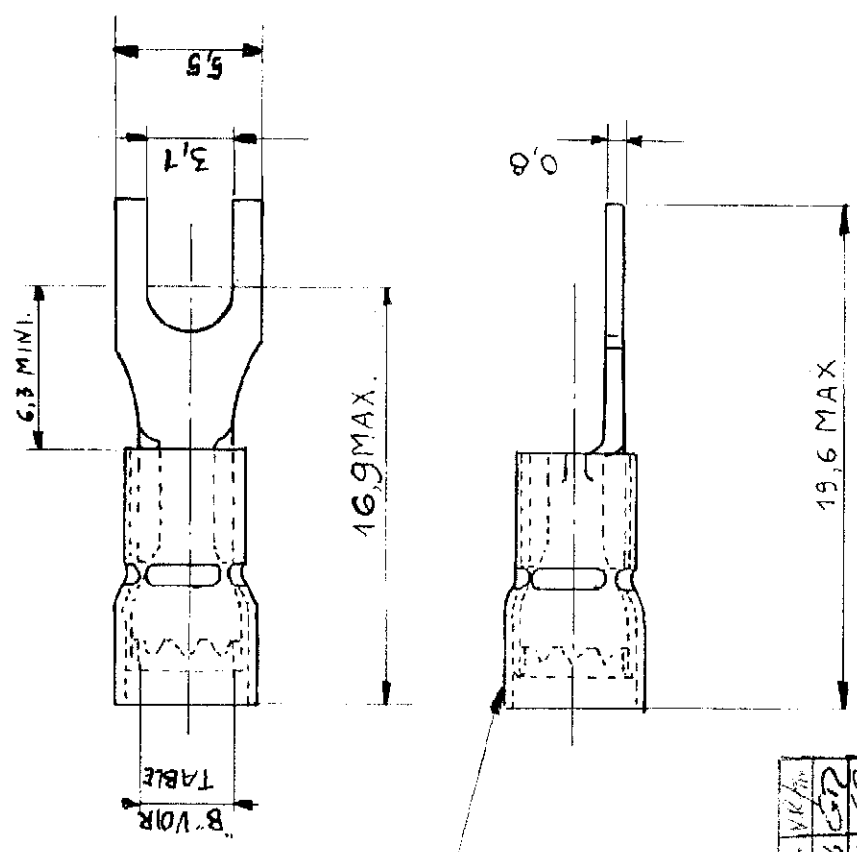


C 130 521

DIMENSIONS IN mm. DO NOT SCALE PRINT



B1	REV. PER REC 06-04-80	15/66	VK/m
B	Revised	03/96	GP
A	Ajouté 130521-1	10/84	GP
A	16.9 débit 103 717	14.5/74	GP
REV	REVISIONS	DATE	BY

**CUSTOMER PRINT
FOR REFERENCE ONLY**

© 1959 BY AMP INCORPORATED. ALL RIGHTS RESERVED. AMP PRODUCTS COVERED BY PATENTS AND/OR PATENTS PENDING.

AMP 1252

130521-1	4
130521	3,3
N° ASSEMB.	"B"

ITEM NO.	REMARKS
FINISH	E T A M E
DATE REL	DATE FIRST USED
DR. MASSIEUX 17.10.53	CHK.
DATE APP.	DATE APP.
TYPE	PRINT DIST
BS	LOC
PIDG	SIZE
CMA	NUMBER
MAX	F A C 130 521
MIN	REV B1

NAME	RECUIT
HEAT TREAT	
NUMBER	CUIVRE
OMC SIZE	
REQUIRED PER ASSEMBLY	
-9	-8
-7	-6
-5	-4
-3	-2
-1	
DESCRIPTION	
AMP	
AMP DEFERENCE	
TOL: ±0.2	
STEE	
4.1	
WIRE SIZE	22.16
CMA	
MAX	
MIN	
NAME	COSSE A FOURCHE