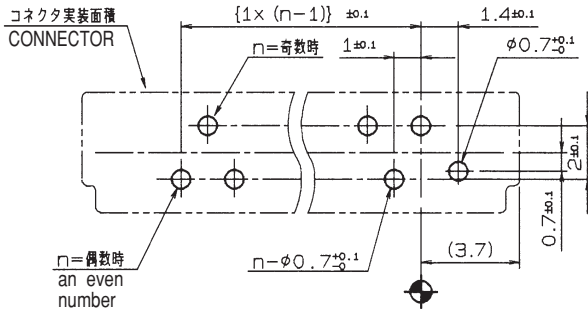
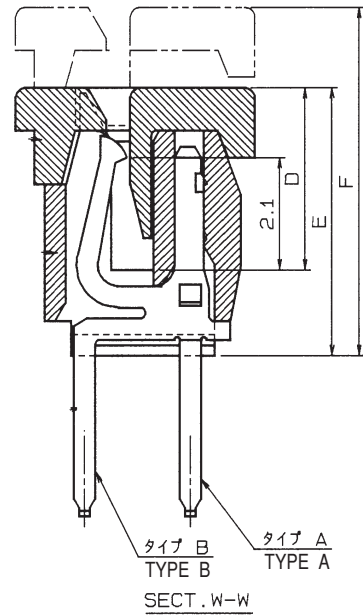
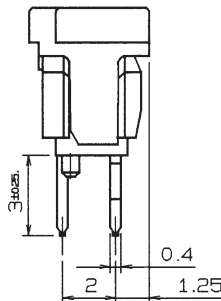
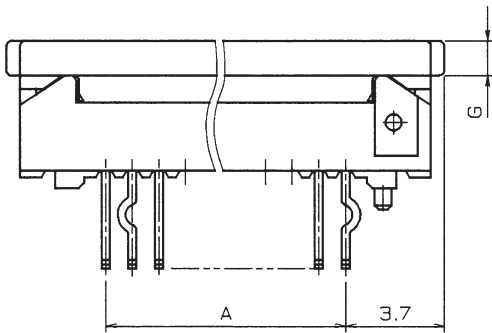
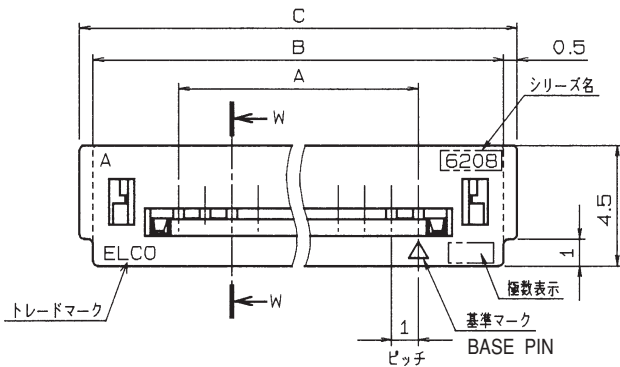


1.0mm Spacing

SERIES

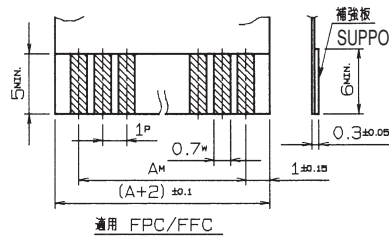
# 6208 ZIF ストレート DIP

## ZIF Vertical Through Hole



基板取付寸法 (コネクタ搭載側)  
MOUNTING LAYOUT  
(t=1.2~1.6)

種類	公差		
	P	W	M
FPC	±0.02	±0.06	±0.05
FFC	±0.05	±0.03	±0.1



通用 FPC/FFC

寸法表		取納数量							
極数	型番	A	B	C	D	E	F	G	UNITS/TUBE
5	08 6208 x0 105 001	4.0	10.4	11.4	3.4	5.0	6.5	0.8	42
6	↑ 106 ↑	5.0	11.4	12.4	↑	↑	↑	↑	38
7	↑ 107 ↑	6.0	12.4	13.4	↑	↑	↑	↑	35
8	↑ 108 ↑	7.0	13.4	14.4	↑	↑	↑	↑	33
9	↑ 109 ↑	8.0	14.4	15.4	↑	↑	↑	↑	31
10	↑ 110 ↑	9.0	15.4	16.4	↑	↑	↑	↑	29
11	↑ 111 ↑	10.0	16.4	17.4	↑	↑	↑	↑	27
12	↑ 112 ↑	11.0	17.4	18.4	↑	↑	↑	↑	26
13	↑ 113 ↑	12.0	18.4	19.4	↑	↑	↑	↑	24
14	↑ 114 ↑	13.0	19.4	20.4	↑	↑	↑	↑	23
15	↑ 115 ↑	14.0	20.4	21.4	↑	↑	↑	↑	22
16	↑ 116 ↑	15.0	21.4	22.4	↑	↑	↑	↑	21
17	↑ 117 ↑	16.0	22.4	23.4	↑	↑	↑	↑	20
18	↑ 118 ↑	17.0	23.4	24.4	↑	↑	↑	↑	19
19	↑ 119 ↑	18.0	24.4	25.4	↓	↓	↓	↓	18
20	↑ 120 ↑	19.0	25.4	26.4	3.4	5.0	6.5	0.8	18
21	↑ 121 ↑	20.0	26.4	27.4	3.6	5.2	6.7	1.0	17
22	↑ 122 ↑	21.0	27.4	28.4	↑	↑	↑	↑	17
23	↑ 123 ↑	22.0	28.4	29.4	↑	↑	↑	↑	16
24	↑ 124 ↑	23.0	29.4	30.4	↑	↑	↑	↑	16
25	08 6208 x0 125 001	24.0	30.4	31.4	3.6	5.2	6.7	1.0	15
26	08 6208 x0 126 001	25.0	31.4	32.4	3.9	5.5	7.0	1.3	15
27	↑ 127 ↑	26.0	32.4	33.4	↑	↑	↑	↑	14
28	↑ 128 ↑	27.0	33.4	34.4	↑	↑	↑	↑	14
29	↑ 129 ↑	28.0	34.4	35.4	↓	↓	↓	↓	13
30	08 6208 x0 130 001	29.0	35.4	36.4	3.9	5.5	7.0	1.3	13

注文コード ORDERING CODE  
**XX 6208 XX0 1XX 001**

08: マガジン TUBE PACKAGE  
(ONLY WITHOUT KINKED BOSS)  
00: トレー梱包  
TRAY PACKAGE

0: キンク有 WITH KINKED  
1: キンク無 WITHOUT KINKED  
0: ボス無 WITHOUT BOSS  
1: ボス付 WITH BOSS

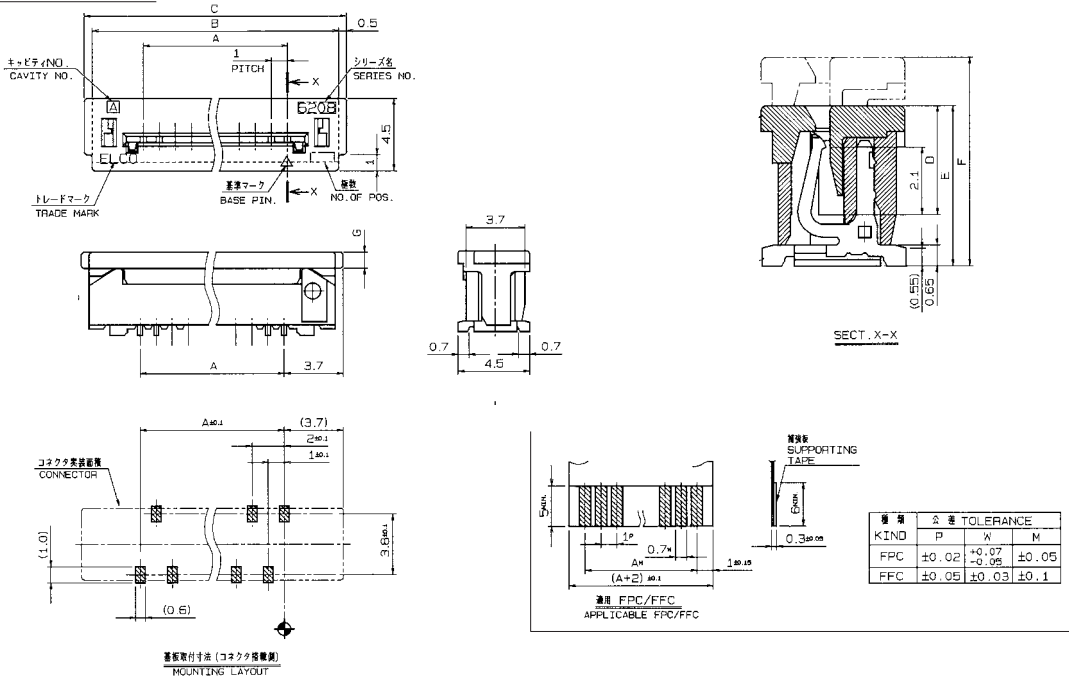
極数  
NUMBER  
OF  
CONTACTS

1.0mm Spacing

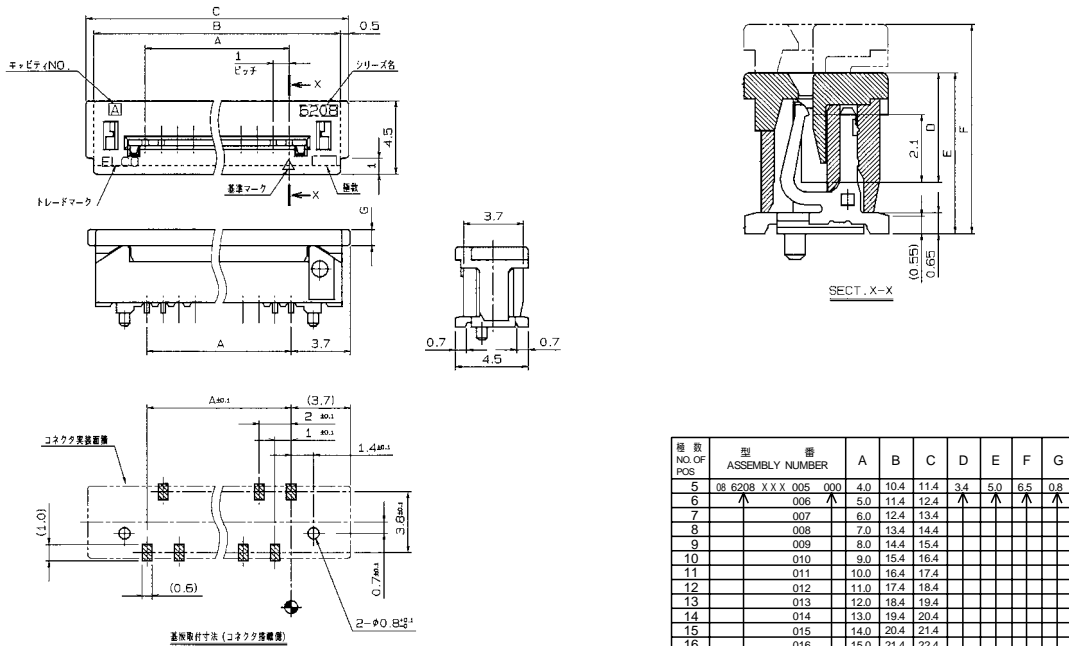
SERIES

# 6208 ZIF ストレート SMT ZIF Vertical SMT

ボス無 WITHOUT BOSS



ボス付 WITH BOSS



注文コード ORDERING CODE

XX 6208 XXX 0XX 000

00: トレー梱包

TRAY PACKAGE

08: マガジン

TUBE PACKAGE

バリエーション VARIATION CODE

\*500: SMT ボス無 WITHOUT BOSS

520: SMT ボス付 WITH BOSS

極数  
NUMBER  
OF  
CONTACTS

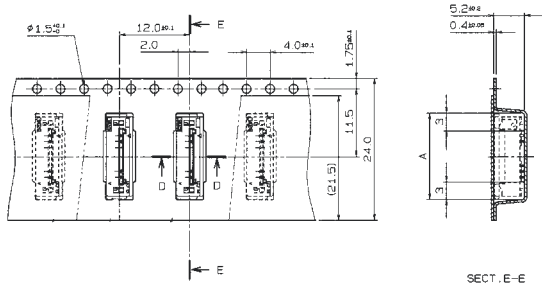
極数 NO. OF POS.	組 ASSEMBLY NUMBER	A	B	C	D	E	F	G	収納数 UNITS/TUBE
5	08 6208 X X X 005 000	4.0	10.4	11.4	3.4	5.0	6.5	0.8	42
6	006	5.0	11.4	12.4	↑	↑	↑	↑	38
7	007	6.0	12.4	13.4	↑	↑	↑	↑	35
8	008	7.0	13.4	14.4	↑	↑	↑	↑	33
9	009	8.0	14.4	15.4	↑	↑	↑	↑	31
10	010	9.0	15.4	16.4	↑	↑	↑	↑	29
11	011	10.0	16.4	17.4	↑	↑	↑	↑	27
12	012	11.0	17.4	18.4	↑	↑	↑	↑	26
13	013	12.0	18.4	19.4	↑	↑	↑	↑	24
14	014	13.0	19.4	20.4	↑	↑	↑	↑	23
15	015	14.0	20.4	21.4	↑	↑	↑	↑	22
16	016	15.0	21.4	22.4	↑	↑	↑	↑	21
17	017	16.0	22.4	23.4	↑	↑	↑	↑	20
18	018	17.0	23.4	24.4	↑	↑	↑	↑	19
19	019	18.0	24.4	25.4	↓	↓	↓	↓	18
20	020	19.0	25.4	26.4	3.4	5.0	6.5	0.8	18
21	021	20.0	26.4	27.4	3.6	5.2	6.7	1.0	17
22	022	21.0	27.4	28.4	↑	↑	↑	↑	16
23	023	22.0	28.4	29.4	↑	↑	↑	↑	16
24	024	23.0	29.4	30.4	↓	↓	↓	↓	15
25	025	24.0	30.4	31.4	3.6	5.2	6.7	1.0	15
26	026	25.0	31.4	32.4	3.9	5.5	7.0	1.3	-
28	028	27.0	33.4	34.4	3.9	5.5	7.0	1.3	-
30	08 6208 X X X 030 000	29.0	35.4	36.4	3.9	5.5	7.0	1.3	-

1.0mm Spacing

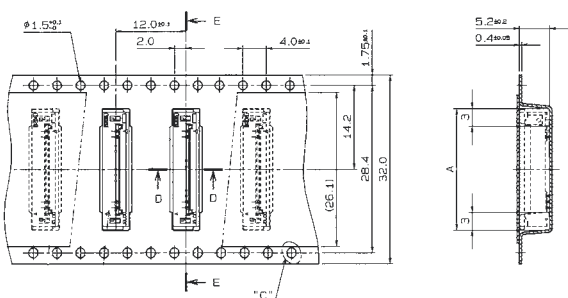
SERIES

# 6208

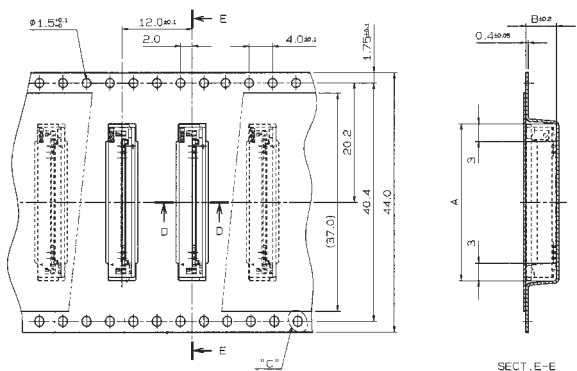
エンボス梱包品  
Tape and Reel Package



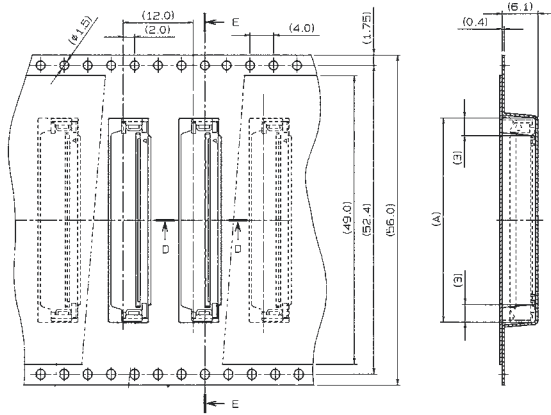
型番 P/N	極数 NO.OF POS	A
00 6208 505 110 000	5	11.6
↑ 506 ↑	6	12.6
507	7	13.6
508	8	14.6
↓ 509 ↓	9	15.6
00 6208 510 110 000	10	16.6



型番 P/N	極数 NO.OF POS	A
00 6208 511 210 000	11	17.6
↑ 512 ↑	12	18.6
513	13	19.6
514	14	20.6
↓ 515 ↓	15	21.6
00 6208 516 210 000	16	22.6



型番 P/N	極数 NO.OF POS	A
00 6208 517 310 000	17	23.6
↑ 518 ↑	18	24.6
519	19	25.6
520	20	26.6
521	21	27.6
522	22	28.6
523	23	29.6
↓ 524 ↓	24	30.6
525	25	31.6
00 6208 526 310 000	26	32.6



型番 P/N	極数 NO.OF POS	A
00 6208 528 410 000	28	34.7
00 6208 530 410 000	30	36.7

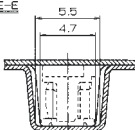
注文コード ORDERING CODE

00 6208 5XX X10 000

極数  
NUMBER  
OF  
POSITIONS

バリエーション VARIATION CODE

- 1 : エンボス Tape and Reel 24.0mm
- 2 : エンボス Tape and Reel 32.0mm
- 3 : エンボス Tape and Reel 44.0mm
- 4 : エンボス Tape and Reel 56.0mm



SECT. D-D

梱包数量 1000ヶ/リール  
(1000 connectors per Tape and Reel.)