

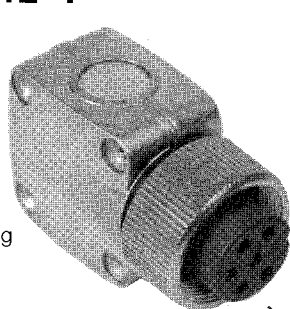
"STANDARD" Series

PIN INSERT RECEPTACLES, SOCKET INSERT PLUGS AND CABLE CONNECTING PLUGS, PIN INSERT (100 °C) 212 °F

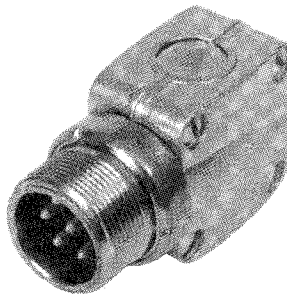
I.P. 50

I.P. 54 ⁽¹⁾

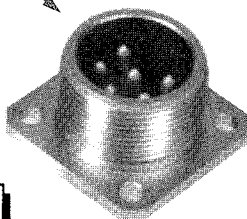
Socket insert plug



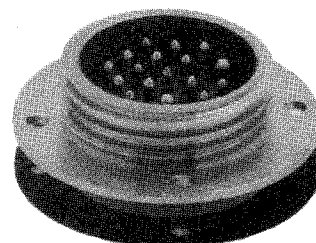
Cable connecting plug, pin insert



Square-flanged receptacle, pin insert



Circular-flanged receptacle, pin insert



NEW
SECURE CONNECTORS
for shell size 1 and 2
(refer to page 32)

PART NUMBERS

Shell size	Contacts				Circular flanged receptacle (with gasket)	Square flanged receptacle pin insert	Socket insert plug	Cable connecting plugs, pin insert	Cable-clamp** P. 29
	Number	Diameter							
		(2 mm) .079	(3 mm) .118	(4 mm) .157					
1	3	1	2		5367 530 06	0383 510 06	0429 530 06	5322 030 06	6301 350 06
1	4	4			5367 540 06	0430 820 06	0430 850 06	5322 040 06	6301 350 06
1	6	6			5367 560 06	0383 550 06	0429 540 06	5322 060 06	6301 350 06
2	4*			4	—	5337 630 06	5307 630 06	5307 680 06	6301 380 06
2	8	6	2		5367 580 06	0383 560 06	0429 550 06	5322 080 06	6301 380 06
2	12	12			5367 620 06	0383 590 06	0429 560 06	5322 120 06	6301 380 06
3	17	15	2		5361 170 06	0383 220 06	0383 820 06	5322 170 06	6301 550 06
4	25	23	2		5361 250 06	0429 860 06	0429 770 06	5322 250 06	5329 400 06
5	35	33	2		5361 350 06	0430 010 06	0429 900 06	5322 350 06	5329 400 06
5	52	52			5337 060 06	5337 030 06	5307 030 06	5307 070 06	5323 270 06

** Cable-clamp (as required), refer to page 29.

Other accessories : connection, sealing, protection, fixing (pages 29 to 34).

FEATURES - INSTALLATION

Operating temperature range : (- 50 °C to + 100 °C) - 58 °F to + 212 °F 500 hours at (125 °C) 257 °F.

Electrical data (page 2).

Coupling of the plug is provided by a knurled ring which screws on to the threaded shell of the receptacle.

Mounting contact arrangement and dimensions (pages 3, 4 and 7).

* **Note** : The contact No. 4 of the plug Part No. **5307.630.06**, establishing an electrical liaison before the three other contacts and breaking it after they are uncoupled, can be used for earthing purposes (Specification UTE C 15-100).

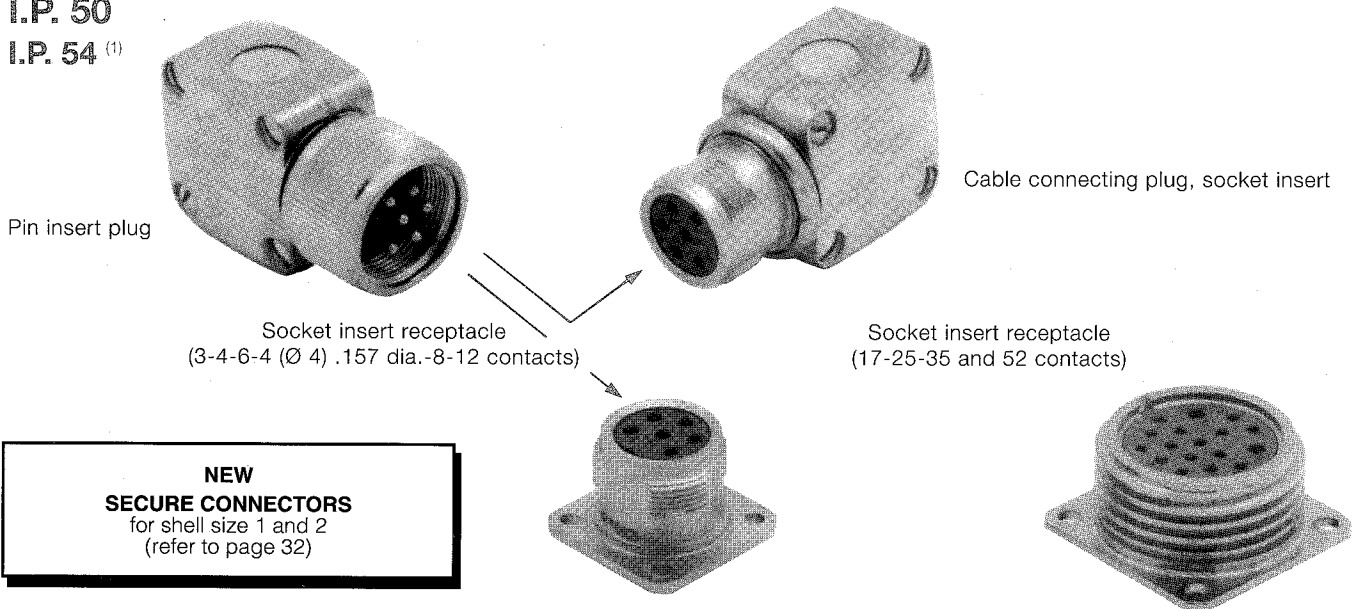
(1) I.P. 54 with potting compound into the Shell and gasket under receptacle.

"STANDARD" Series

SOCKET INSERT RECEPTACLES, PIN INSERT PLUGS AND CABLE CONNECTING PLUGS, SOCKET INSERT (100 °C) 212 °F

I.P. 50

I.P. 54 ⁽¹⁾



PART NUMBERS

Shell size	Contacts			Socket insert receptacle	Pin insert plug	Cable connecting plug, socket insert	Cable-Clamp** P. 29
	Number	Diameter					
		(2 mm) .079	(3 mm) .118				
1	3	1	2	+ 5366 030 06	5326 030 06	+ 5301 530 06	6301 350 06
1	4	4		+ 5366 040 06	5326 040 06	+ 5301 540 06	6301 350 06
1	6	6		+ 5366 060 06	5326 060 06	+ 5301 560 06	6301 350 06
2	4*		4	+ 5337 600 06	5307 600 06	+ 5307 530 06	6301 380 06
2	8	6	2	+ 5366 080 06	5326 080 06	+ 5301 580 06	6301 380 06
2	12	12		+ 5366 120 06	5326 120 06	+ 5301 620 06	6301 380 06
3	17	15	2	5366 170 06	5326 170 06	5301 700 06	6301 550 06
4	25	23	2	5366 250 06	5326 250 06	5301 750 06	5329 400 06
5	35	33	2	5366 350 06	5326 350 06	-	5329 400 06
5	52	52		5337 000 06	5307 000 06	-	5323 270 06

+ The receptacles and cable connecting plugs, accommodating up to 12 contacts are of the "Quick-Disconnect" type.

** Cable-clamp (as required), refer to page 29.

Other accessories : connection, sealing, protection, fixing... (pages 29 to 34).

FEATURES - INSTALLATION

Operating temperature range : (- 50 °C to + 100 °C) - 58 °F to + 212 °F (500 hours at (125 °C) 257 °F).
Electrical data (page 2).

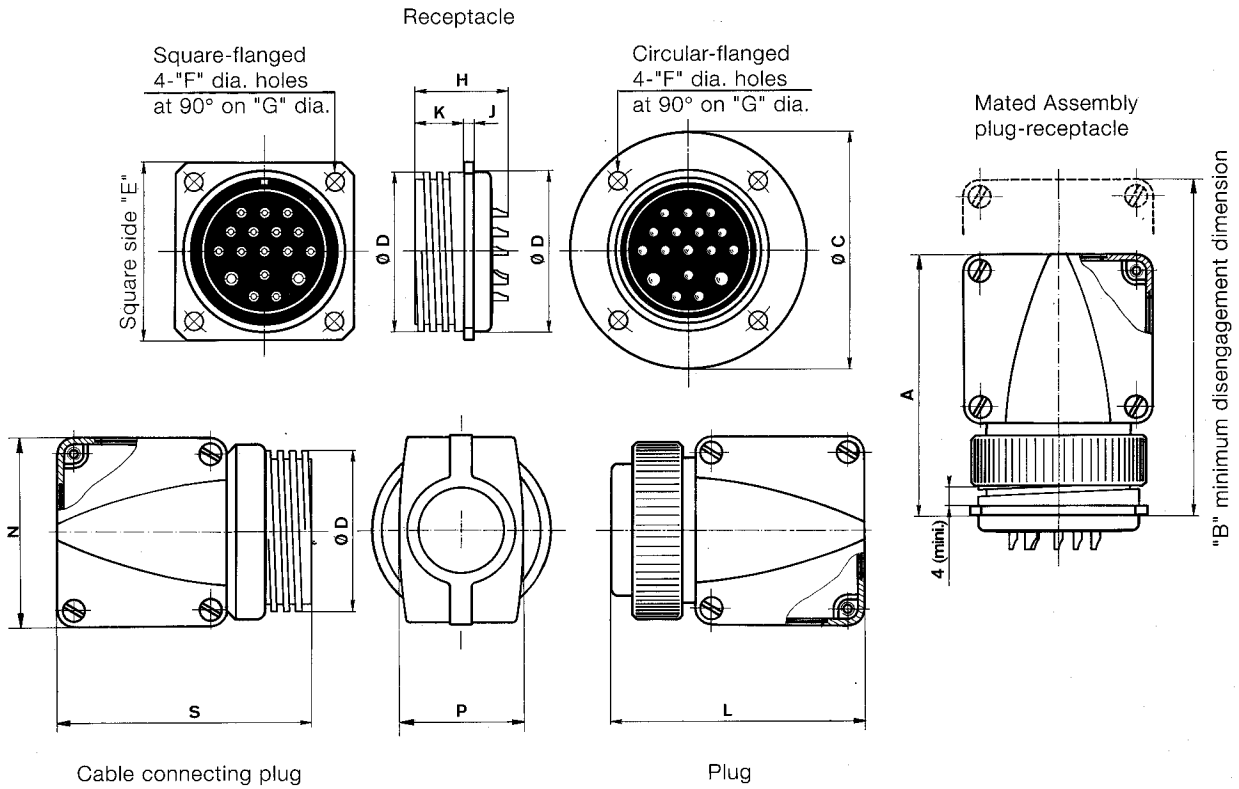
Coupling of the plug is provided by a knurled ring which screws on to the threaded shell of the receptacle.

Mounting contact arrangement and dimensions (pages 3, 4 and 7).

* **Note** : The contact No. 4 of the receptacle Part No. **5337 600 06** and that of the cable connecting plug Part No. **5307 530 06**, establishing an electrical liaison before the three other contacts and breaking it after they are uncoupled, can be used for earthing purposes (Specification UTE C 15-100).

(1) I.P. 54 with potting compound into the Shell and gasket under receptacle.

DIMENSIONS

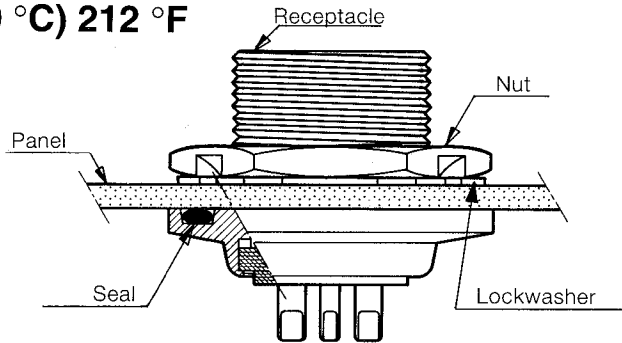


Shell size	Number of contact	Dimensions : (mm) in.													
		Mated assembly			Pin insert receptacle								Socket insert plug, Cable connecting plug, pin insert		
		A	B	C	D	E	F	G	H	J	K	L	N	P	S
1	3-4-6	(52) 2.05	(64) 2.52	—	(21) .83	(27) 1.06	(3,2) .126	(28) 1.10	(25,3) .99	(2) .079	(12,5) .49	(50) 1.97	(31) 1.22	(20) .79	(50) 1.97
2	4	(56) 2.20	(68) 2.68	—	(27) 1.06	(32) 1.26	(3,2) .126	(34) 1.34	(29) 1.14	(2) .079	(12,5) .49	(54) 2.13	(35) 1.38	(23) .90	(54) 2.13
2	8-12	(56) 2.20	(68) 2.68	—	(27) 1.06	(32) 1.26	(3,2) .126	(34) 1.34	(23,5) .92	(2) .079	(12,5) .49	(54) 2.13	(35) 1.38	(23) .90	(54) 2.13
3	17	(64) 2.52	(75) 2.95	(57) 2.24	(39) 1.54	(43) 1.69	(4,2) .165	(48) 1.89	(22,5) .88	(2) .079	(12,5) .49	(61) 2.40	(46) 1.81	(30) 1.18	(62) 2.44
4	25	(59) 2.32	(70) 2.76	(63) 2.48	(45) 1.77	(47) 1.85	(4,2) .165	(54) 2.13	(22,5) .88	(2) .079	(12,5) .49	(56) 2.20	(52) 2.04	(28) 1.10	(57) 2.24
5	35	(59) 2.32	(70) 2.76	(72) 2.83	(52) 2.05	(54) 2.13	(4,2) .165	(62) 2.44	(22,5) .88	(2) .079	(12,5) .49	(56) 2.20	(60) 2.36	(28) 1.10	(57) 2.24
5	32	(65) 2.56	(77) 3.03	—	(52) 2.05	(54) 2.13	(4,2) .165	(62) 2.44	(27,5) 1.08	(2) .079	(12,5) .49	(63) 2.48	(60) 2.36	(34) 1.34	(57) 2.24

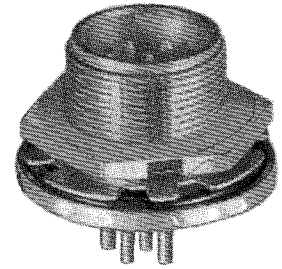
Shell size	Number of contact	Dimensions : (mm) in.													
		Mated assembly			Socket insert receptacle								Pin insert plug, Cable connecting plug, socket insert		
		A	B	C	D	E	F	G	H	J	K	L	N	P	S
1	3-4-6	(56) 2.20	(66) 2.60	—	(21) .83	(27) 1.06	(3,2) .126	(28) 1.10	(25) .98	(2) .079	(16) .63	(49) 1.93	(31) 1.22	(20) .79	(51) 2.00
2	4	(60) 2.36	(70) 2.76	—	(27) 1.06	(32) 1.26	(3,2) .126	(34) 1.34	(31) 1.22	(2) .079	(16) .63	(53) 2.09	(35) 1.38	(23) .90	(55) 2.16
2	8-12	(60) 2.36	(70) 2.76	—	(27) 1.06	(32) 1.26	(3,2) .126	(34) 1.34	(25) .98	(2) .079	(16) .63	(53) 2.09	(35) 1.38	(23) .90	(55) 2.16
3	17	(70) 2.76	(80) 3.15	—	(39) 1.54	(43) 1.69	(4,2) .165	(48) 1.89	(26) 1.02	(2) .079	(18,5) .73	(59) 2.33	(46) 1.81	(30) 1.18	(66) 2.60
4	25	(65) 2.56	(75) 2.95	—	(45) 1.77	(47) 1.85	(4,2) .165	(54) 2.13	(26) 1.02	(2) .079	(18,5) .73	(54) 2.13	(52) 2.04	(28) 1.10	(61) 2.40
5	35	(65) 2.56	(75) 2.95	—	(52) 2.05	(54) 2.13	(4,2) .165	(62) 2.44	(26) 1.02	(2) .079	(18,5) .73	(54) 2.13	(60) 2.36	(28) 1.10	—
5	32	(70) 2.76	(83) 3.27	—	(52) 2.05	(54) 2.13	(4,2) .165	(62) 2.44	(30) 1.18	(2) .079	(18,5) .73	(63) 2.48	(60) 2.36	(34) 1.34	—

"STANDARD" Series pressurised

NUT MOUNTING RECEPTACLES, PIN INSERT
LEAK RATE, less than 15 cu. cm/hr under 2 bar
(100 °C) 212 °F



JAM NUT MOUNTING



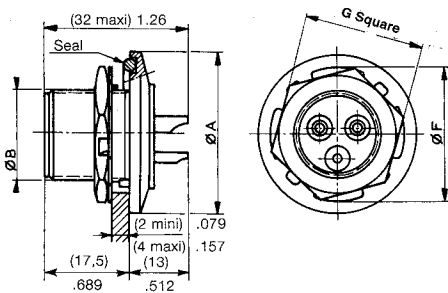
Available with
3-4-6-8 or 12 contacts

PART NUMBERS

Shell size	Number of contact	(1) Complete, pin insert receptacle	(2) Accessories			
			Protection cap	Replacement parts		
				"O" ring seal	Locknut	Lockwasher
1	3	5367 530 06	5369 100 06	5364 400 06	5364 460 06	5364 430 06
1	4 (Ø 2) .079 dia.	5367 540 06	5369 100 06	5364 400 06	5364 460 06	5364 430 06
1	6	5367 560 06	5369 100 06	5364 400 06	5364 460 06	5364 430 06
2	4 (Ø 4) .157 dia.	—	—	—	—	—
2	8	5367 580 06	5369 110 06	5364 410 06	5364 470 06	5364 440 06
2	12	5367 620 06	5369 110 06	5364 410 06	5364 470 06	5364 440 06

(1) The receptacle is shipped with an "O" ring seal, locknut and lockwasher.

(2) The accessories "O" ring seal, locknut and lockwasher can be supplied separately upon request.



Shell size	Number of contact	Dimensions : (mm) in.			
		A	B	F	G
1	3-4-6	(33,8) 1.33	(21) .826	(32) 1.26	(29) 1.14
2	8-12	(39,8) 1.57	(27) 1.06	(38) 1.50	(35) 1.38

FEATURES - INSTALLATION

Operating temperature range : (- 25 °C to + 100 °C) - 13 °F to + 212 °F (500 hours at (125 °C) 257 °F).
 Beyond these temperature limits, consult our Sales Engineering Office.

For use with socket insert plugs of the "STANDARD" or "WEATHERPROOF" series. Choice is determined in accordance with prevalent operating conditions.

DATA

Leakage : (conform of the American specification MIL C 5015).

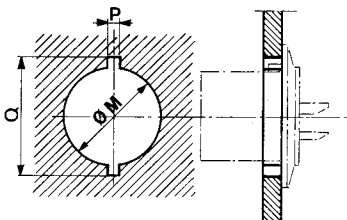
Leak rate observed under **2 bar** differential pressure : **less than 15 cu. cm/hr.**

TEST : NF.C 20-717. (International specification CEI 68.2.17).

The mechanical and electrical characteristics, the contact identification and arrangement, are the same as those of the "STANDARD" series receptacles.

INSTALLATION INSTRUCTIONS

The panel cut-out, as shown below, differs in accordance with panel thickness. If this thickness is :



Shell size	Contact number	Dimensions : (mm) in.				
		M	N	P	Q	R
1	3-4-6	(21,1) .830	(34) 1.34	(2,5) .098	(24,9) .980	(23) .905
2	8-12	(27,1) 1.07	(40) 1.57	(2,5) .098	(30,9) 1.22	(29) 1.14

