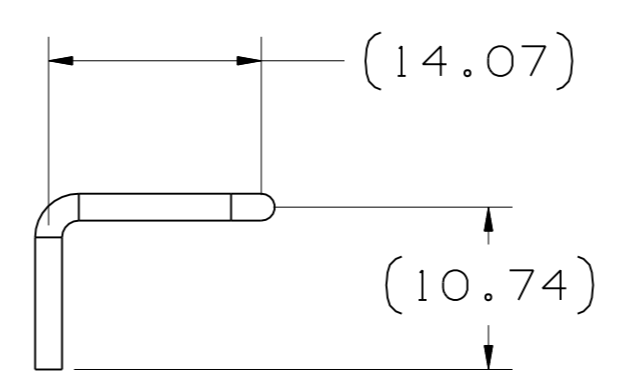
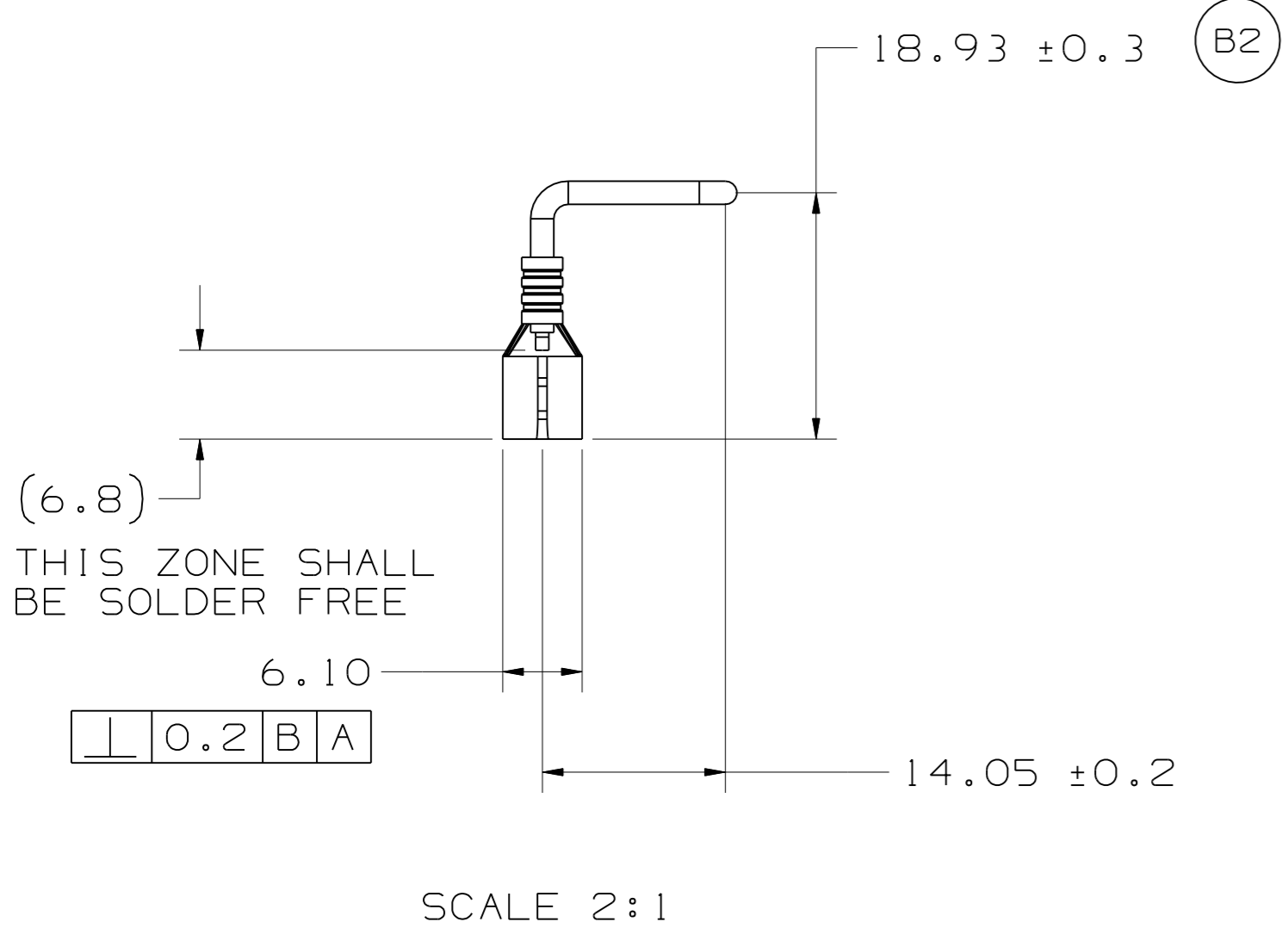
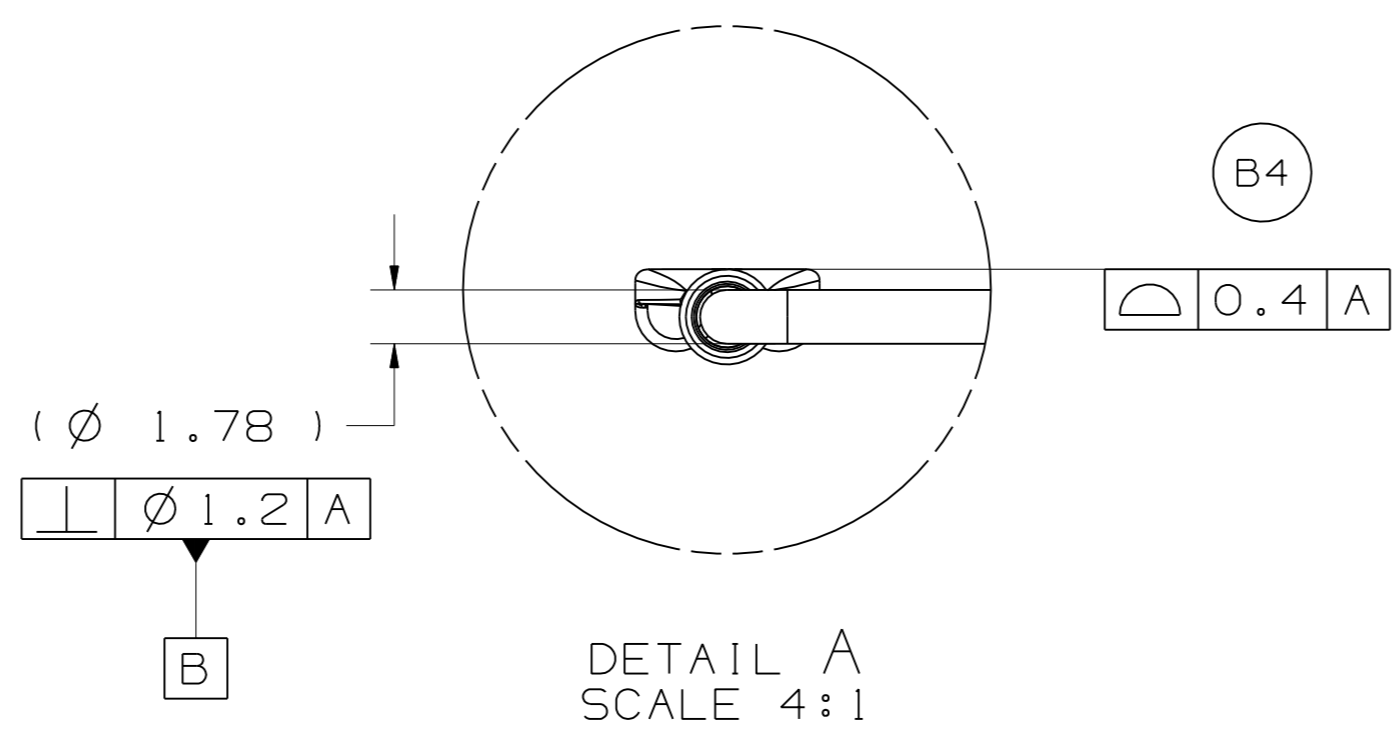
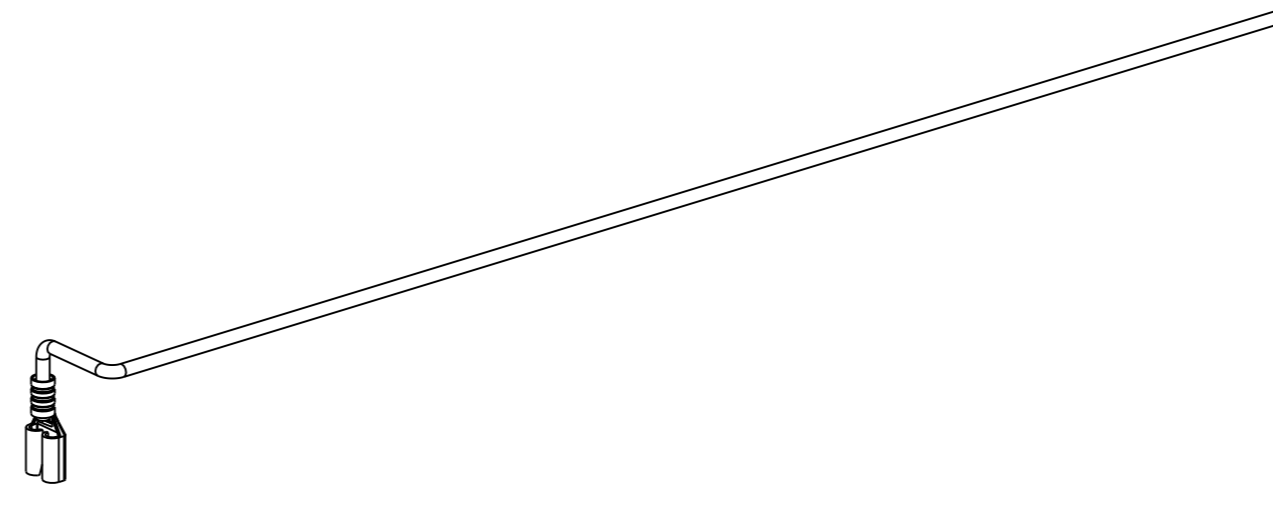
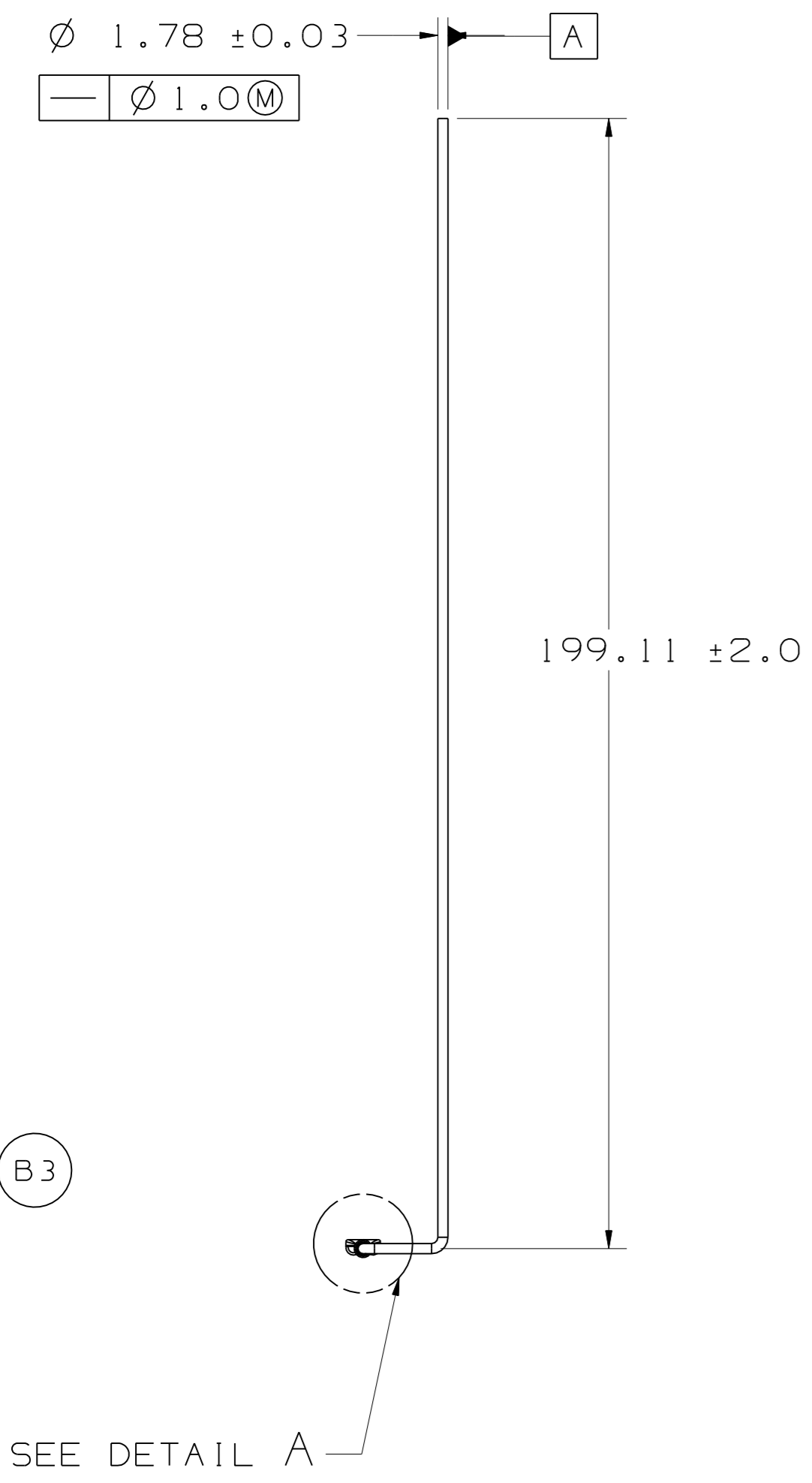


KEY PRODUCT CHARACTERISTICS				
▽ SAFETY/COMPLIANCE	◇ FIT/FUNCTION	TOTAL ON DRAWING	0	
Ⓚ S/C CHECKPOINTS	Ⓚ F/F CHECKPOINTS	LAST NO. USED	0	
NO & TYPE	DESCRIPTION	RATIONALE	PTS	ZONE

DWG STATUS					REVISION HISTORY			AUTH	DR	APVD1	APVD2	
DATE	STG	REV	N/P	CHG	ZONE							
08SE06		A				RELEASED-PRODUCTION			1080515580			
22N006		B	1	A9		UPDATED NOTES						
			2	D9		MODIFIED TOLERANCE						
			3	E12		DELETED CONTROL FRAME						
			4	E6		MODIFIED TOLERANCE IN CONTROL FRAME 0.4 WAS 0.2			1080522967	LA	MV	MB



FRONT VIEW SHOWN WITHOUT TERMINAL  
SCALE 2:1

WIRE MATERIAL-TIN-COATED MUSIC WIRE PER ASTM A 228/A 228M-02.  
 TERMINAL IS MOLEX PART NO. 0190160039 (LOOSE) OR 0190160042 (STRIP.)  
 FOR REFERENCE: MATING TERMINAL IS 28090796.  
 (B1) TERMINAL UNITED TO WIRE IN ORIENTATION AND POSITION SHOWN.  
 LEAD FREE SOLDERING MUST BE USED.  
 RETENTION FORCE REQUIRED FOR TERMINAL TO WIRE IS 90N MINIMUM.  
 UNSPECIFIED BEND ANGLES ARE 90 +/- 2°.

UNLESS OTHERWISE SPECIFIED

THIS DOCUMENT IS IN ACCORDANCE WITH ASME Y14.5-1994. RULE #1 (PERFECT FORM AT MMC) DOES NOT APPLY WHEN RELATIONSHIP BETWEEN FEATURES IS ESTABLISHED BY ORIENTATION OR LOCATION TOLERANCES AT MMC. SEPARATE PATTERNS OF FEATURES MAY BE GAGED SEPARATELY REGARDLESS OF DATUM REFERENCES. DIMENSIONS APPLY AFTER HEAT TREAT AND SURFACE COATINGS.

ALL DIMENSIONS ARE IN MILLIMETERS

ZERO PLACE DECIMALS : N/A  
 ONE PLACE DECIMALS : 0.3  
 TWO PLACE DECIMALS : N/A

ANGLES ± 1 DEGREE

THIRD ANGLE PROJECTION  
 DO NOT SCALE  
 USE MATH DATA  
 NX V3.0

**DELPHI**

THIS DRAWING IS THE PROPERTY OF DELPHI CORPORATION. NO RIGHTS ARE GRANTED TO USE THIS DRAWING FOR ANY PURPOSE OTHER THAN THE FURNISHING OF SERVICES AND SUPPLIES TO DELPHI CORPORATION.

DR	JESUS ESPINOZA	DATE	08SE06
APVD1	MIGUEL VALLES		08SE06
APVD2	MAURICIO BARRIOS		08SE06
APVD3			
APVD4			
APVD5			

SUBSTANCES OF CONCERN AND RECYCLED CONTENT PER DELPHI 10949001

MATERIAL

DRAWING NAME  
ANTENNA ASM

DRAWING NUMBER  
28070331

SIZE	SCALE	FRAME NO	SHEET NO	STG	REV	N/P
A1	1/1	1 OF 1	1 OF 1	B		2

FIRST USED	N/A
REFERENCE	N/A
REPLACES #	N/A
REPLACED BY	N/A