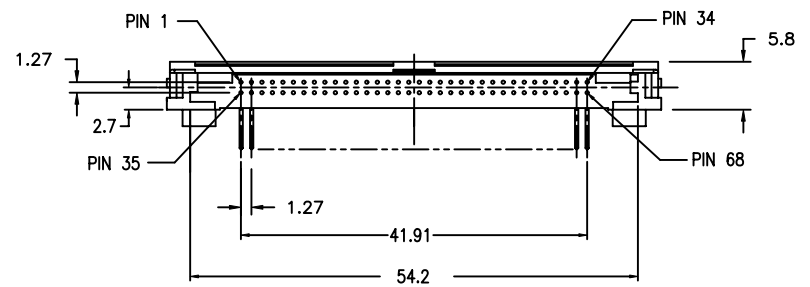
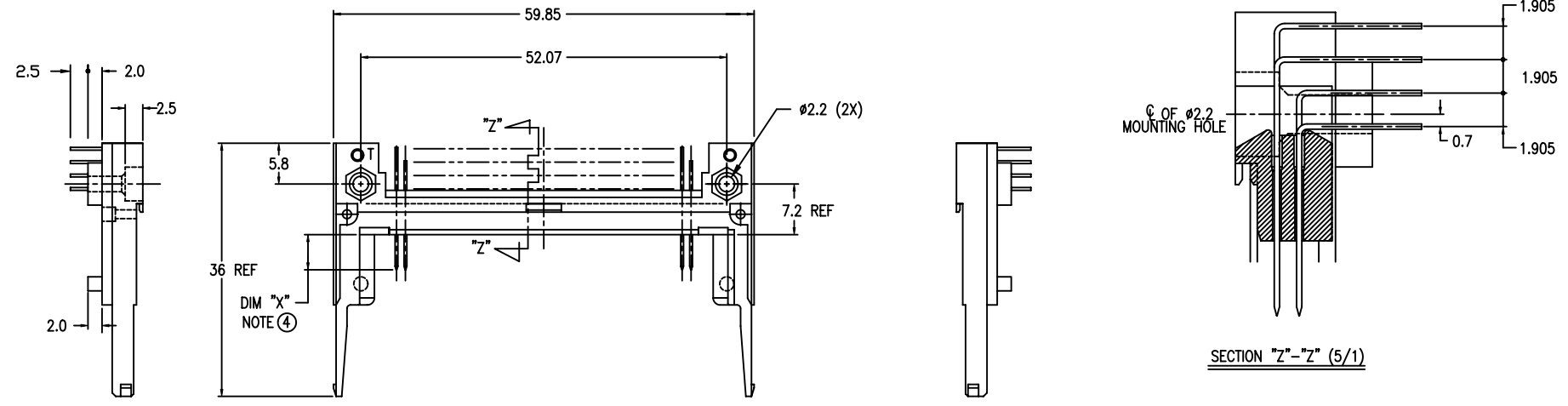


Tous droits strictement réservés. Reproduction ou communication a des tiers interdite sous quelque forme que ce soit sans autorisation écrite du propriétaire. Propriété de ©BERG ELECTRONICS. Droits de reproduction BERG ELECTRONICS INC.

All rights strictly reserved. Reproduction or issue to third parties in any form whatever is not permitted without written authority from the proprietor. Property of ©BERG ELECTRONICS Copyright BERG ELECTRONICS INC.

PRODUCT NO.	DESCRIPTION
10037401-040	ABOVE P.C.B. MOUNT, 2mm STAND-OFF, 50uin/1.27um GOLD PLATING.



NOTES

- SEE TA-946 FOR PCB LAYOUT.
 - MATERIAL
HOUSING : LCP UL94V-0 BLACK.
PIN : COPPER ALLOY
 - FINISH - PIN
UNDER PLATING : 0.5um Ni.
CONTACT AREA : 1.27um GOLD
SOLDER TAIL : 2.5um Sn-Pb.
 - DIM "X"
- | | | |
|----------|---------|------------------|
| 4.25±0.1 | 3.5±0.1 | 5.0±0.1 |
| OTHERS | 36,67 | 1,17,34,35,51,68 |
- 5 RECOMMENDED SCREW TORQUE 1.0 TO 1.5 MAX in-lbs. (1.2-1.7 cm-kgs).
RECOMMENDED HOLD-DOWN: 2mm SCREWS (95121-002) AND HEX NUTS (92869).

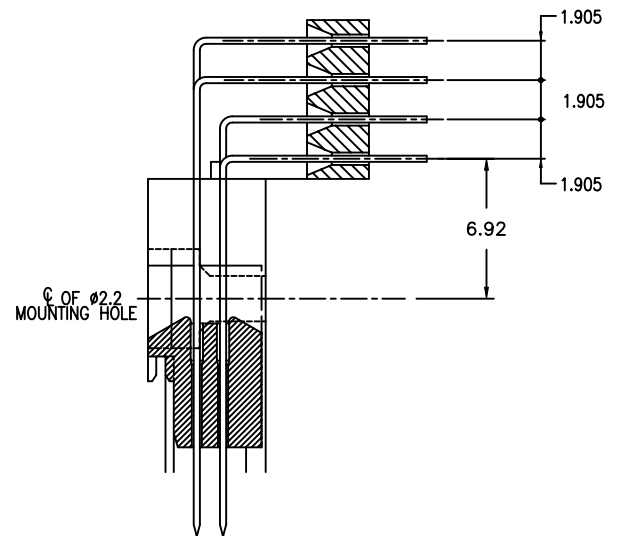
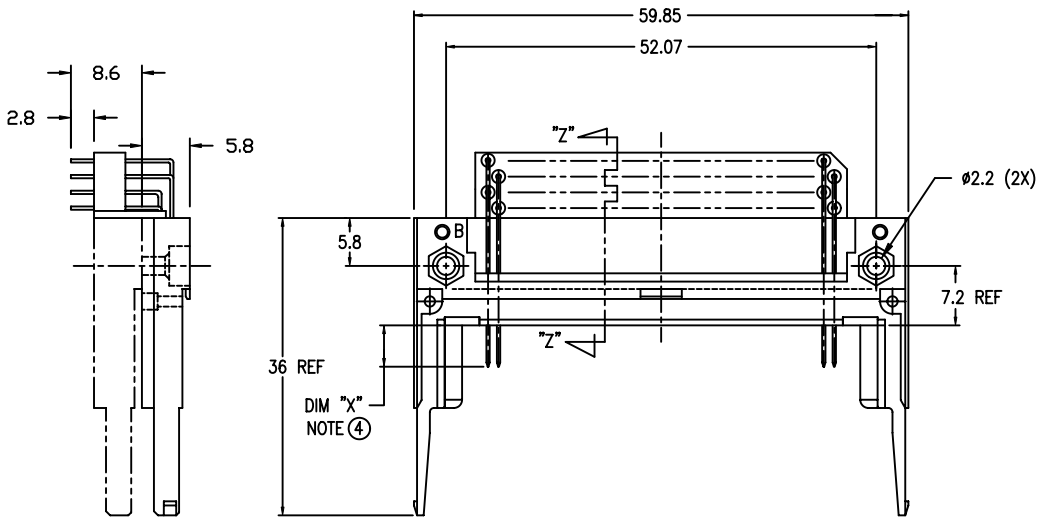
mat'l. code				tolerances unless otherwise specified		CUSTOMER COPY		 www.fciconnect.com	
ltr	ecn no	dr	date	linear	.X ±.3	projection	title		
A	T04-0025	NH	01/15/04		.XX ±.13		68 POS. EJECT		
B	T04-0032	WL	01/27/04	angles	.XXX ±.051	 mm	5.0V HEADER ASSY		
				dr	NICK HSU 1/15/04		product family	PCMCIA	
				enr	NICK HSU 1/15/04	size	dwg no		sheet
				chr	PAUL WANG 1/15/04	scale	A4 10037401		1 of 2
				appd	JOSEPH HSIA 1/15/04	1:1			
sheet index	revision sheet	B 1	B 2						

Tous droits strictement réservés. Reproduction ou communication a des tiers interdite sous quelque forme que ce soit sans autorisation écrite du propriétaire. Propriété de ©BERG ELECTRONICS. Droits de reproduction BERG ELECTRONICS INC.



All rights strictly reserved. Reproduction or issue to third parties in any form whatever is not permitted without written authority from the proprietor. Property of ©BERG ELECTRONICS Copyright BERG ELECTRONICS INC.

PRODUCT NO.	DESCRIPTION
10037401-505	BELOW P.C.B. MOUNT, 50uin/1.27um GOLD PLATING



SECTION "Z"- "Z" (5/1)

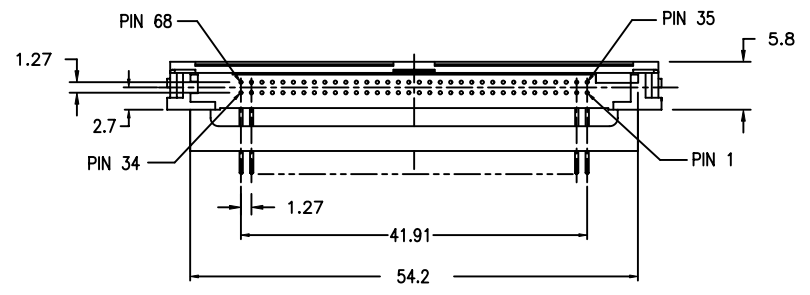
NOTES

- 1 SEE TA-946 FOR PCB LAYOUT.
- 2 MATERIAL
HOUSING : LCP UL94V-0 NATURAL.
PIN : COPPER ALLOY
- 3 FINISH - PIN
UNDER PLATING : 0.5um Ni.
CONTACT AREA : 1.27um GOLD
SOLDER TAIL : 2.5um Sn-Pb.

4 DIM "X"

4.25±0.1	3.5±0.1	5.0±0.1
OTHERS	36,67	1,17,34,35,51,68

- 5 RECOMMENDED SCREW TORQUE 1.0 TO 1.5 MAX in-lbs. (1.2-1.7 cm-kgs).
RECOMMENDED HOLD-DOWN: 2mm SCREWS (95121) AND HEX NUTS (92869-001).



mat'l. code				tolerances unless otherwise specified			CUSTOMER COPY		 www.fciconnect.com		
ltr	ecn no	dr	date	linear	.X ±.3		projection	title			
B					.XX ±.13			68 POS. EJECT			
				angles	.XXX ±.051		 mm	5.0V HEADER ASSY			
					0° ±2°			product family		code	
				dr	NCIK HSU	1/15/04	scale	PCMCIA		sheet	
				enr	NCIK HSU	1/15/04		size			2 of
				chr	WANG PAUL	1/15/04		dwg no			
				appd	JOSHPH HSIA	1/15/04		A4			
sheet index	revision sheet						1:1	10037401			