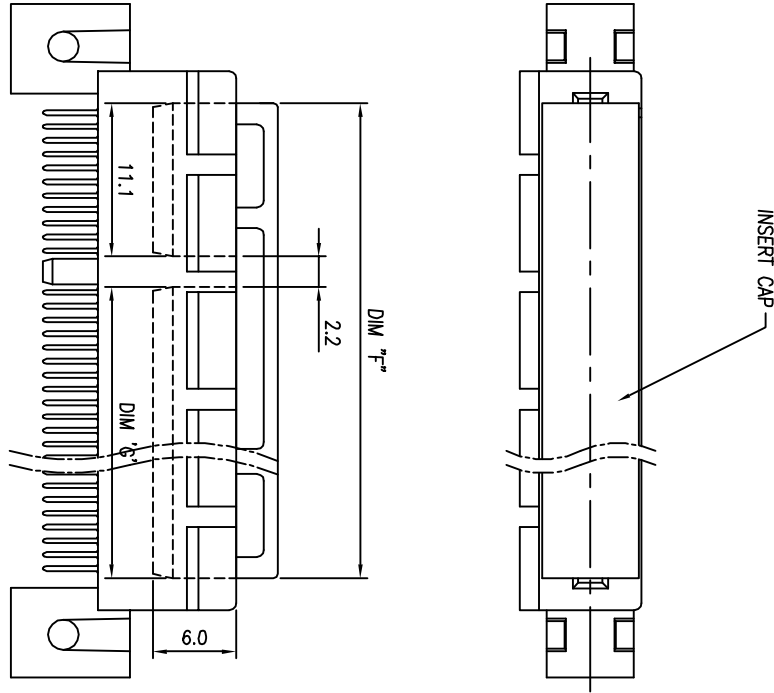
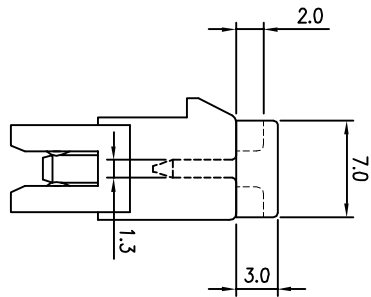


ACAD



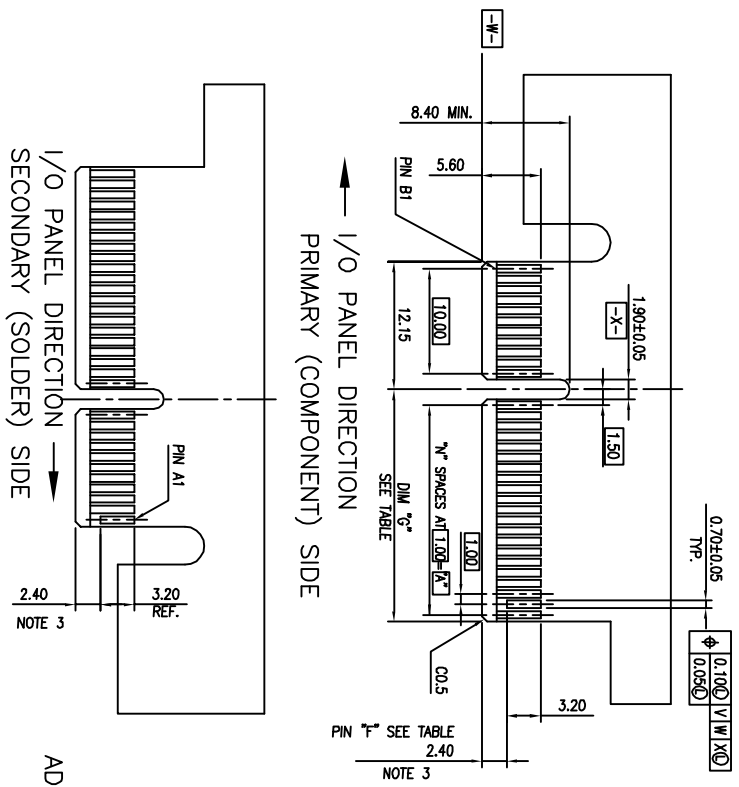
DIMENSIONS			
POSITION	F	G	STATUS
36	20.4	7.1	N/A
64	34.4	21.1	N/A
98	51.4	38.1	AVAILABLE
164	84.4	71.1	N/A



- NOTES:
1. MATERIAL:
INSERT CAP: THERMOPLASTIC, HIGH TEMP., UL94V-0; BLACK COLOR.
 2. THE INSERT CAP SHALL BE REMOVED OUT AFTER RE-FLOWED PROCESS.
 3. THIS IS AVAILABLE FOR BX PCI-E ONLY.
P/N: 10069690-XXXX2TLF.

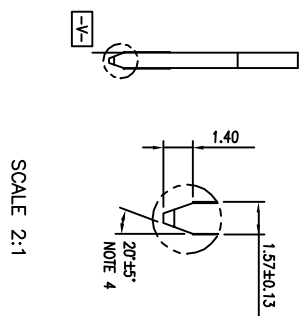
mat'l. code		tolerances unless otherwise specified		CUSTOMER COPY		FCI	
itr	ecn no	dr	date	linear	projection	title	www.fciconnect.com
C				.XX ± 0.20 .XXX ± 0.10	MM	PCI EXPRESS STRADDLE MOUNT ASSEMBLY	
				angles 0° ± 2°		product family	EDGE CARD
				dr Sterling Lin 05/24/07	scale	product family	TWIN
				engr Sterling Lin 05/24/07		size/ dwg no	10069690
				chr STERLING LIN 05/24/07		code	2 of
				appd Minerva Wang 05/24/07		sheet	
sheet	revision					sheet	
Index	sheet					2 of	

ACAD



# POS REF.	N	DIM "G" ±0.20	"F"
36	6	8.15	B17
64	20	22.15	B31
98	37	39.15	B48
164	70	72.15	B81

ADD-IN CARD EDGE-FINGER DIMENSIONS



SCALE 2:1

mat'l. code	ecr no	dr	date	tolerances unless otherwise specified	CUSTOMER COPY	FCI	www.fciconnect.com
C				.X ± 0.38 .XX ± 0.25 .XXX ± 0.10 0° ± 2°	projection	PCI EXPRESS STRADDLE MOUNT ASSEMBLY	
					MM	product family	EDGE CARD
						size dwg no	1 00069690
						code	TWIN
						sheet	4 of 4
sheet	revision						
index	sheet						

ACAD

1 2

3

4

3

4