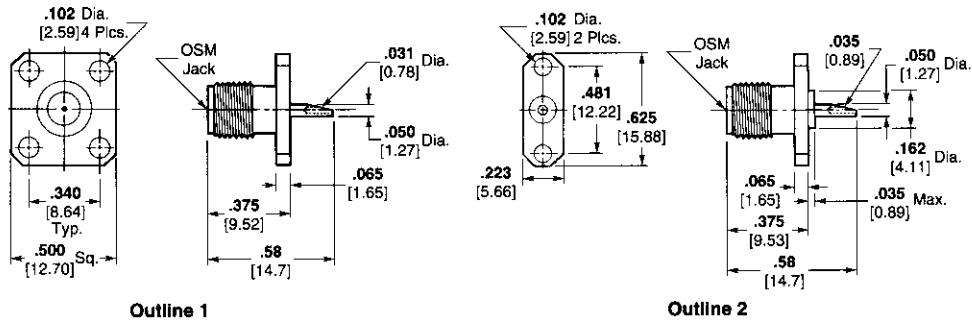


**SMA Connectors MIL-C-39012 — Panel Mount**

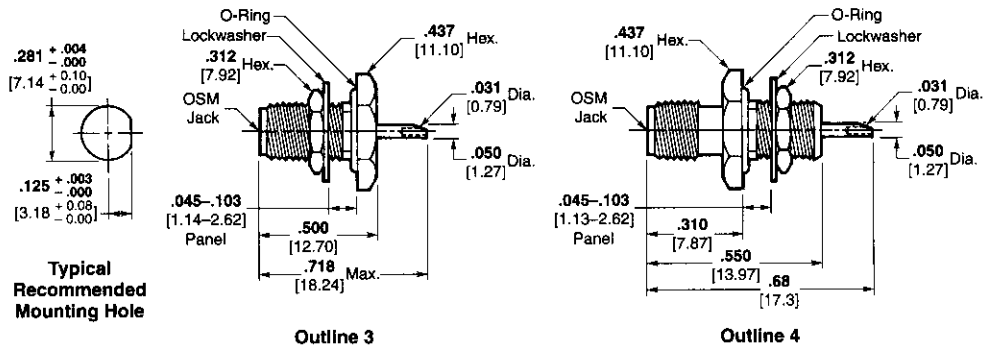
**MIL-C-39012/60**



Military Part No.	AMP Part No.	M/A-COM <sup>1</sup> Part No. (Ref. Only)	Outline
-3001	1052924-1	2052-8001-92	1
-3002	1052926-1	2052-8002-92	2

<sup>1</sup> -92 indicates passivated stainless steel finish.

**MIL-C-39012/61**



Military Part No.	AMP Part No.	M/A-COM <sup>1</sup> Part No. (Ref. Only)	Outline
-3001	1053118-1	2056-8011-92	3
-3002	1484516-1	2056-8012-92	4

<sup>1</sup> -92 indicates passivated stainless steel finish.

RF Connectors