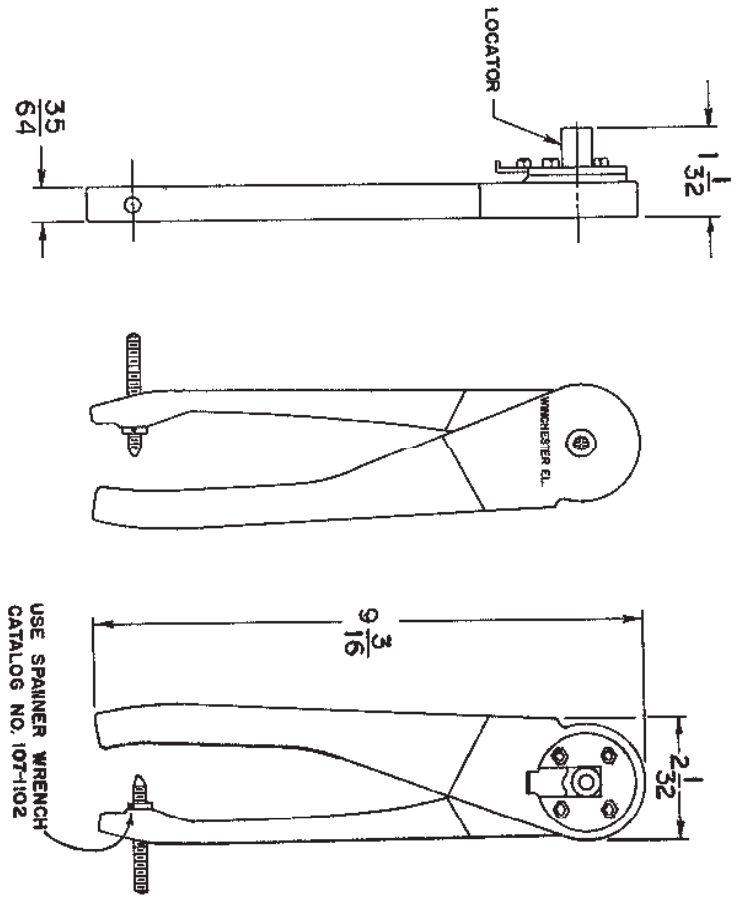


This drawing, the design and ideas embodied in the device to which it relates, and the methods of producing the device, are the property of Winchester Electronics Incorporated and shall not be employed, copied, or distributed in any manner without the consent of Winchester Electronics, Incorporated.

REV	CHANGE	DATE
J	REDRAWN; ADDED SIDE VIEW EN-10185	
K	INC REMOVED EN-10521	4-24-64
L	DIM. 1 1/32 WAS 1-9/16 DIM. 2 1/32 WAS 2 1/8 DIM. 3 3/16 WAS 3-1/2 DIM. 4 3/4 WAS 1 1/2 ECP 4-24-64 EN-10185	4-14-76 K. J. C. [Signature]
M	REVISED NOTE 1 ECR# 4719	KDB 10/1/79

TOLERANCE UNLESS OTHERWISE SPECIFIED FRACTIONS ± 1/32 DECIMALS ± .005 ANGULAR ±



NOTES:
1. OPERATING INSTRUCTIONS & LOCATOR DATA ARE CONTAINED IN INSTRUCTION SHEET 4393L

HAND CRIMPING TOOL			
CATALOG NUMBER	CRIMPING RANGE	TOOL NUMBER	HANDLE COLOR
107-09032A	036--070	531-3	GREEN

TITLE	
HAND - CRIMPING TOOL	
OUTLINE	
FINISH	
SCALE	DR. L. RUMMEL DATE 9-8-1
NO. 1	DATE 12-11-64
NO. 2	DATE 12-1-64
WINCHESTER ELECTRONICS, INC. NORWALK, CONN.	
DWG. SIZE	107-6
REV. M	