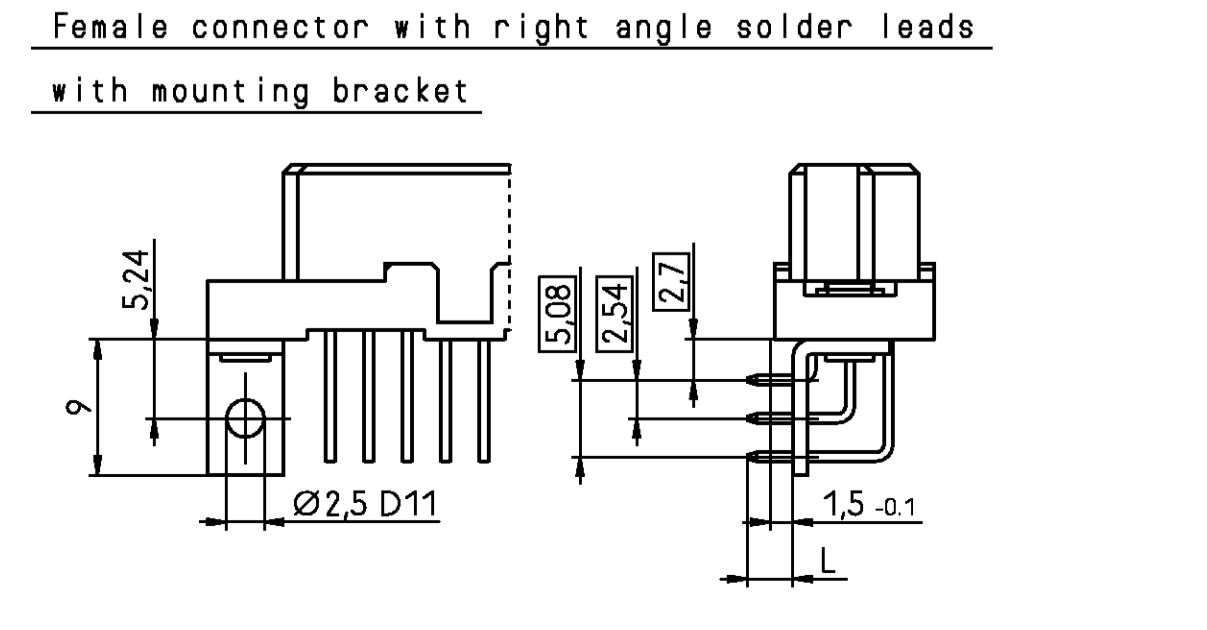
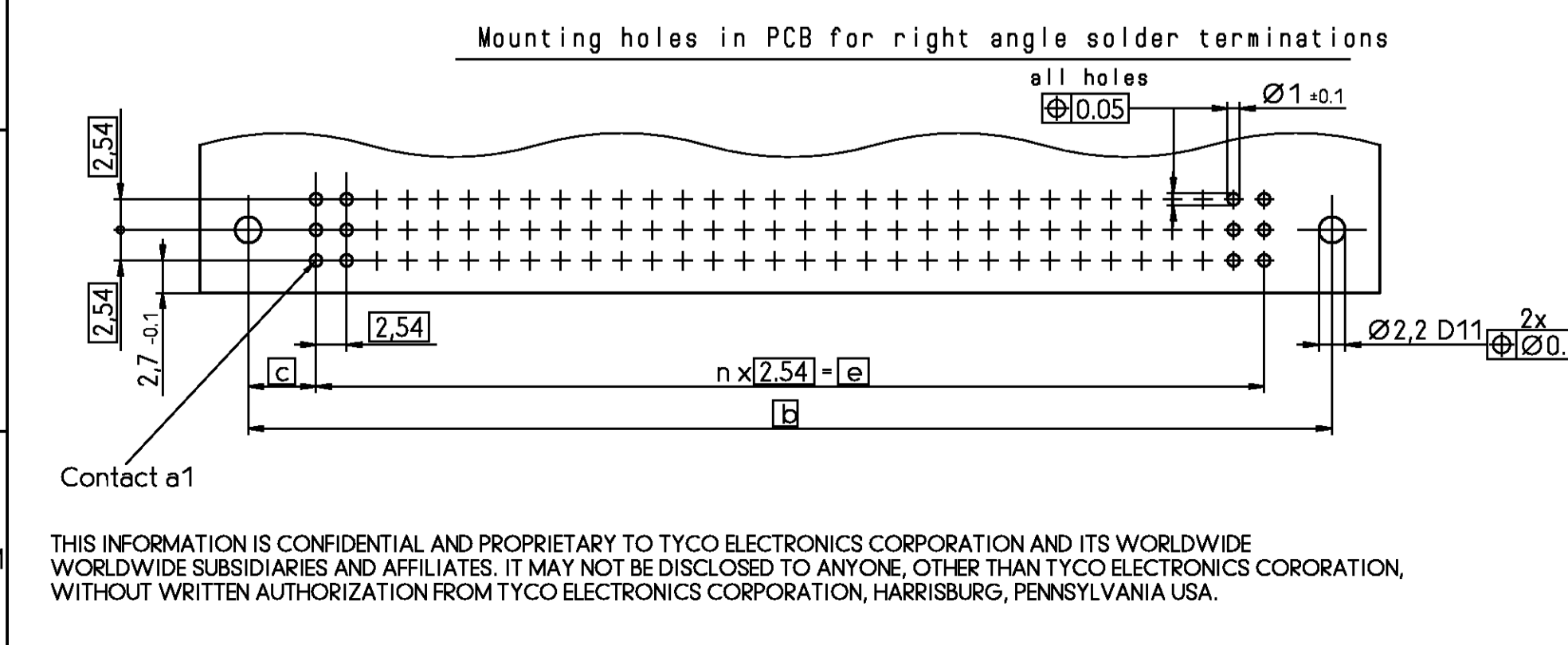
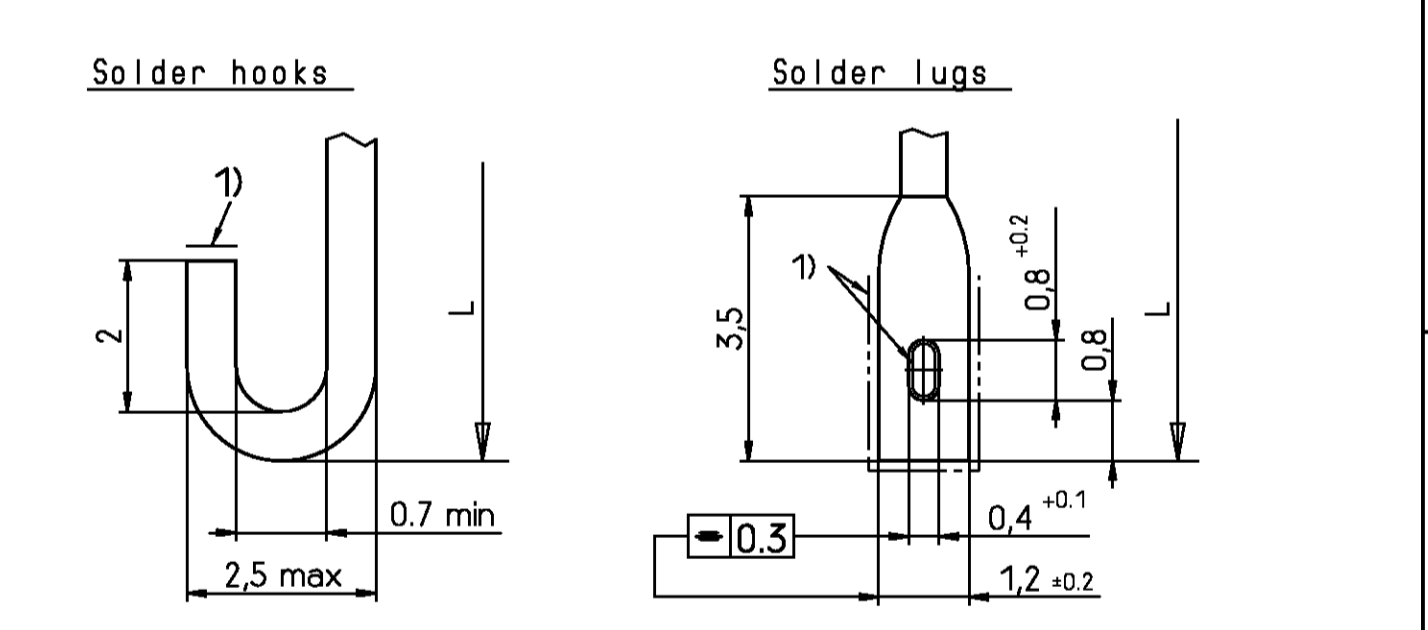
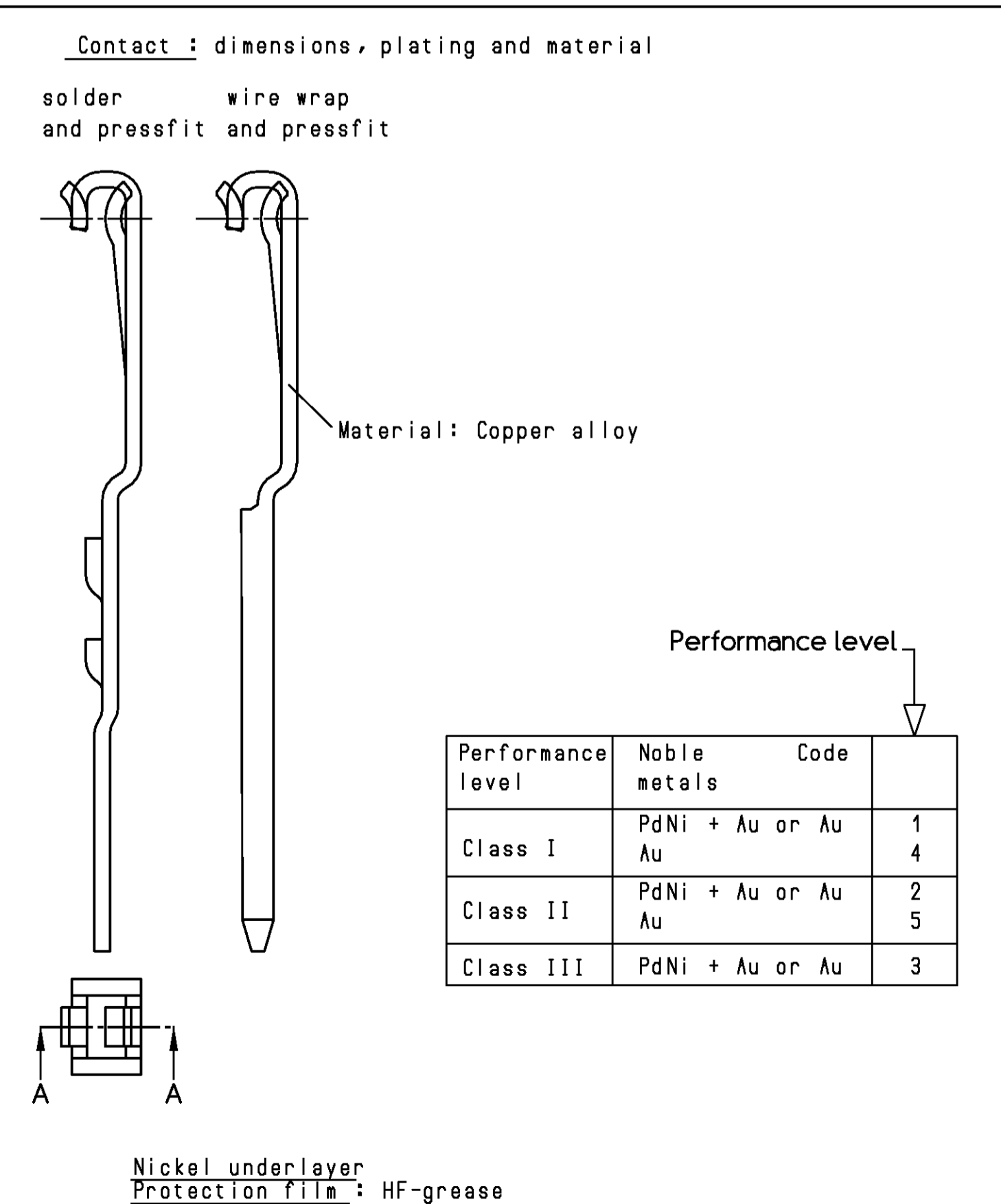
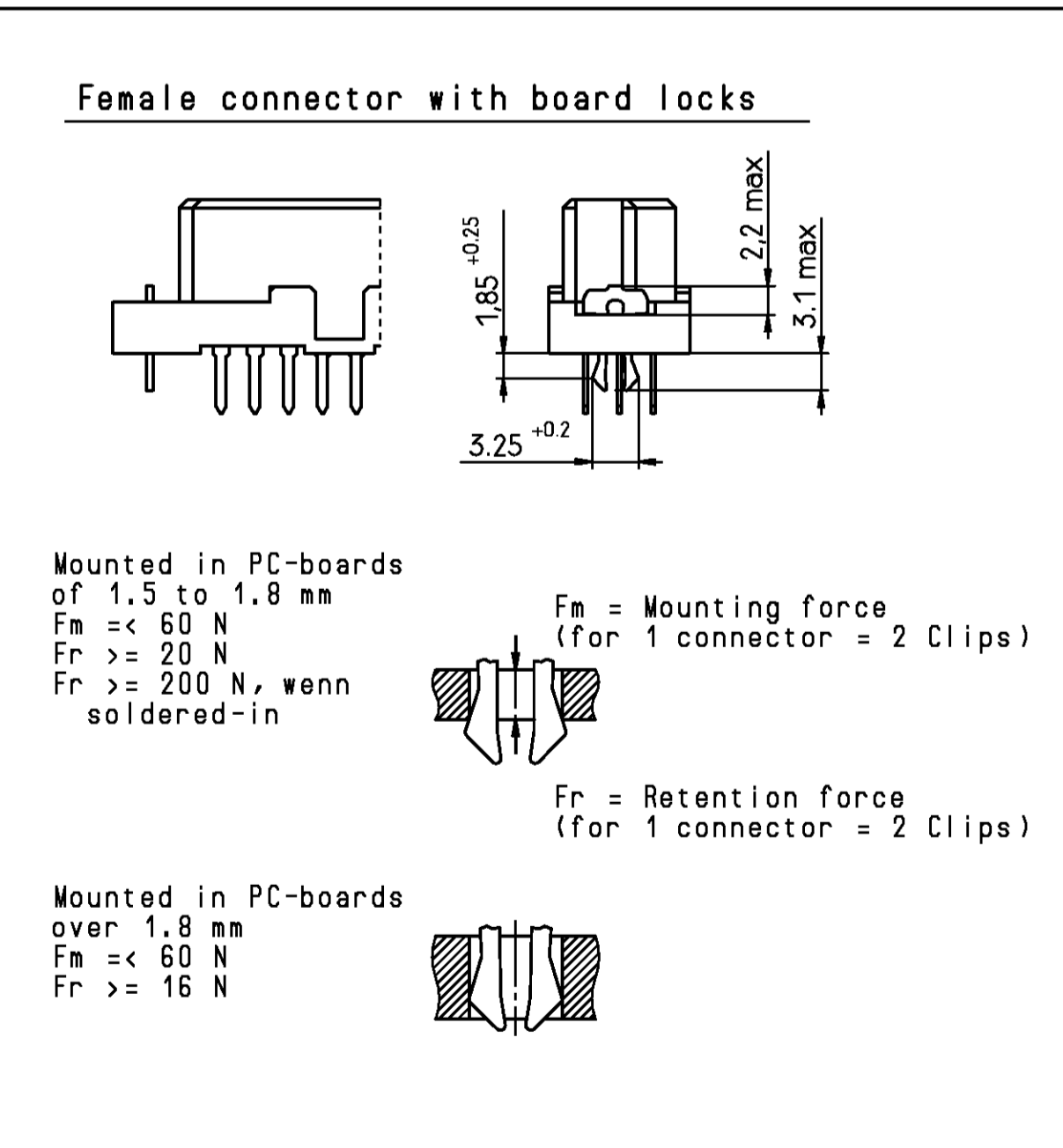
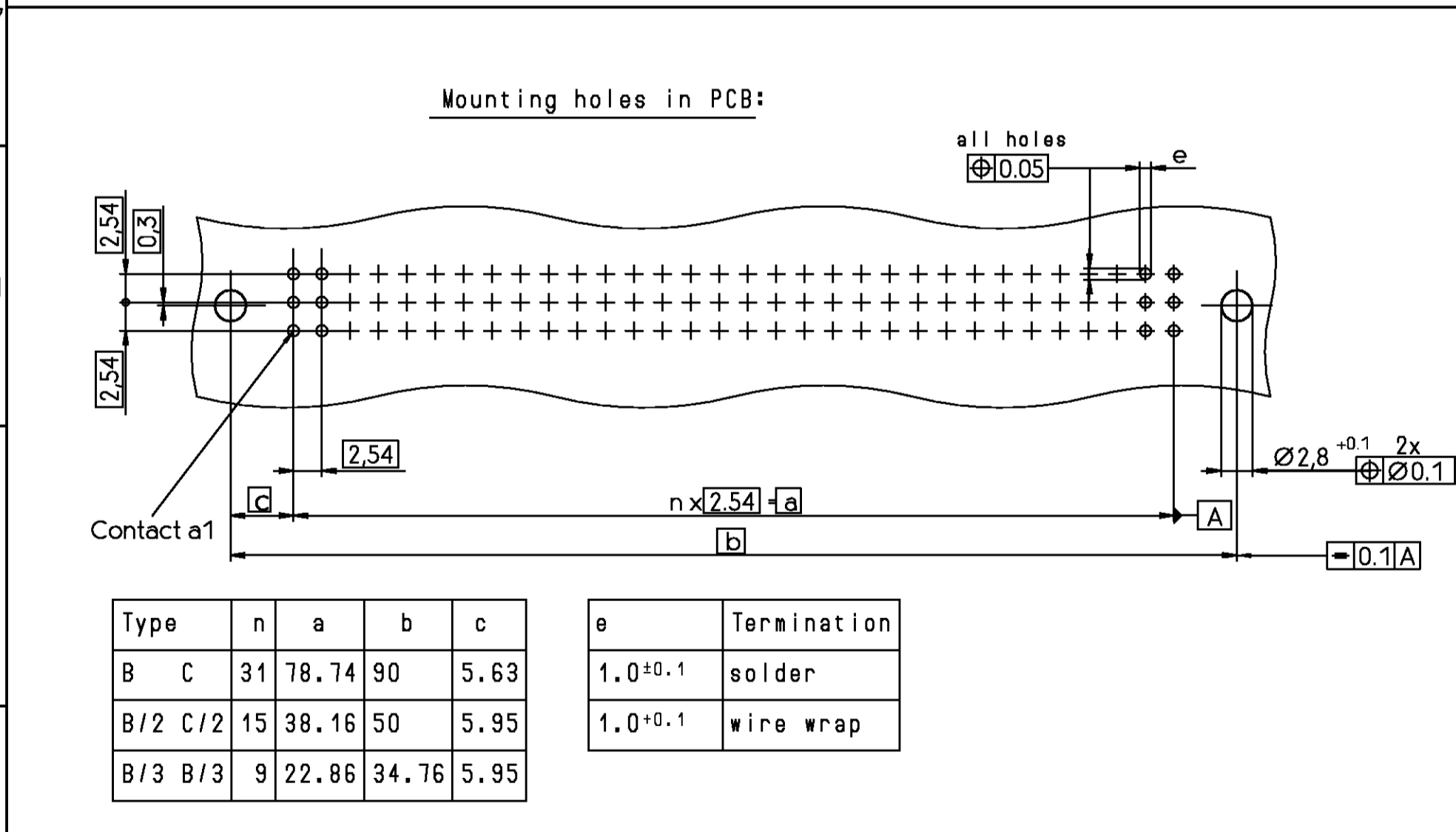


Termination Styles

Termination Style	L	Code
Solder terminations	2.9 ± 0.3	01
	3.7 ± 0.3	05
	4.5 ± 0.3	02
	6 ± 0.3	03
Wire wrap terminations and solder termination	7.3 ± 0.3	04
	13 ± 0.5	40
Solder hooks	5.5 ± 0.3	30
	10 ± 0.5	35
Solder lugs	5.5 ± 0.3	00
	10 ± 0.5	10
Solder right angle	1.55 ± 0.4	60
	3 ± 0.4	61
Solder right angle with mounting bracket	13 ± 0.5	63
	17 ± 0.5	66
	4 ± 0.5	67
	13 ± 0.5	69
	17 ± 0.5	67
	6 ± 0.5	70

Termination with Sn



V 4 2 2 5 4 - * 2 * * * - + * * *

B: Standard version
 F: Version with flux-tight coating

Code for performance level
 Code for termination style

Style, no of contacts and contact assignment see Page 2

THIS INFORMATION IS CONFIDENTIAL AND PROPRIETARY TO TYCO ELECTRONICS CORPORATION AND ITS WORLDWIDE SUBSIDIARIES AND AFFILIATES. IT MAY NOT BE DISCLOSED TO ANYONE, OTHER THAN TYCO ELECTRONICS CORPORATION, WITHOUT WRITTEN AUTHORIZATION FROM TYCO ELECTRONICS CORPORATION, HARRISBURG, PENNSYLVANIA USA.

A
B
C
D
E
F
G
H
J
K
L
M

Product description code
Tyco part Number
Style & Number of Positions
Termination Posts
Loaded Rows
Performance Level
Board Locks

Table with columns: Product description code, Tyco part Number, Style & Number of Positions, Termination Posts, Loaded Rows, Performance Level, Board Locks. Rows include various connector part numbers and their specifications.

Product description code
Tyco part Number
Style & Number of Positions
Termination Posts
Loaded Rows
Performance Level
Board Locks

Table with columns: Product description code, Tyco part Number, Style & Number of Positions, Termination Posts, Loaded Rows, Performance Level, Board Locks. Rows include various connector part numbers and their specifications.

3) According to BT 236 level 2.
2) Connectors have a flux-tight coating.
1) No company name marked on the connector.

Active part numbers.
Contact Tyco Electronics for other configuration availability

THIS INFORMATION IS CONFIDENTIAL AND PROPRIETARY TO TYCO ELECTRONICS CORPORATION AND ITS WORLDWIDE SUBSIDIARIES AND AFFILIATES. IT MAY NOT BE DISCLOSED TO ANYONE, OTHER THAN TYCO ELECTRONICS CORPORATION, WITHOUT WRITTEN AUTHORIZATION FROM TYCO ELECTRONICS CORPORATION, HARRISBURG, PENNSYLVANIA USA.

tyco Electronics logo and header information including TYCO ELECTRONICS CORPORATION, OOSTKAMP - BELGIUM, SCALE, MATERIAL, PART NAME, and other technical details.