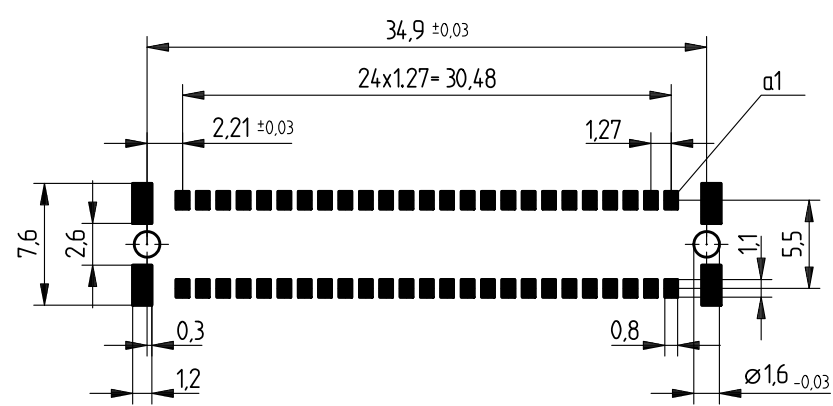
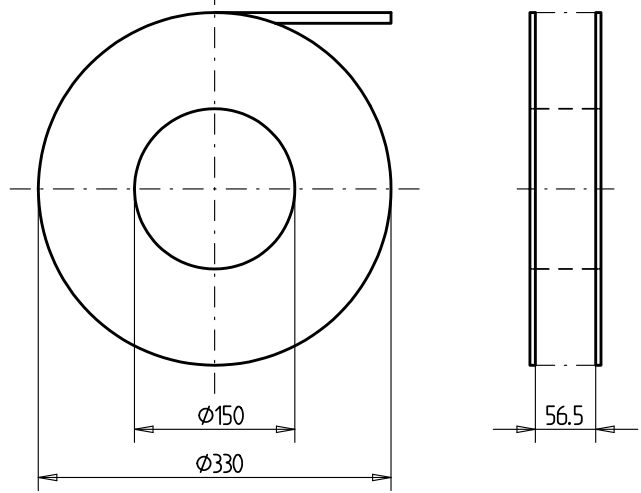


Anforderungsstufe 1  
 Performance Level 1  
 Kontaktbereich vergoldet  
 Mating Area gold plating  
 Anschlussbereich verzinkt 4-6 µm  
 Terminal Area 4-6 µm tin plating  
 Koplranarität der Anschlüsse ≤ 0.1mm  
 Coplanarity Area of Termination ≤ 0.1 mm

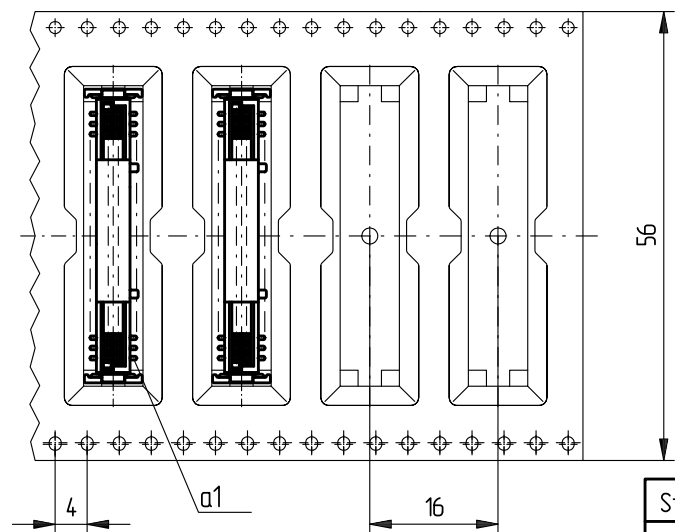
**Leiterplatten-Layout Vorschlag für SMT**  
**PCB-Layout Proposal for SMT**



Verpackt in Gurtverpackung - Tape on Reel Packaging  
 Verpackungseinheit: 280 Stück - Packaging unit: 280 pcs



Abspulrichtung - Reel off Direction



Standard Bauhöhe, BA 6  
 Standard Assembly Height, BA 6

Information:	Tolerances	Scale 3:1	Designation Federleiste SMC-B, 50 polig Fem. Conn. SMC-B, 50 contacts
	All rights reserved. Only for information. To insure that this is the latest version of this drawing, please contact one of the ERNI companies before using.		
Consider protection memo from DIN 34	ERNI	www.ERNI.com	124045
b	13.02.2008	0:00064899.SZA	SMCB
Index	Date		