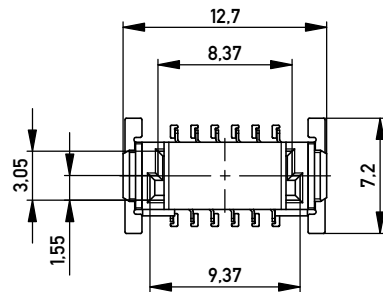
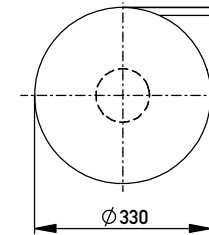
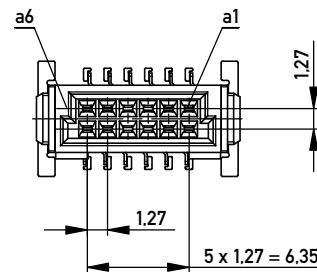


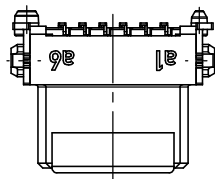
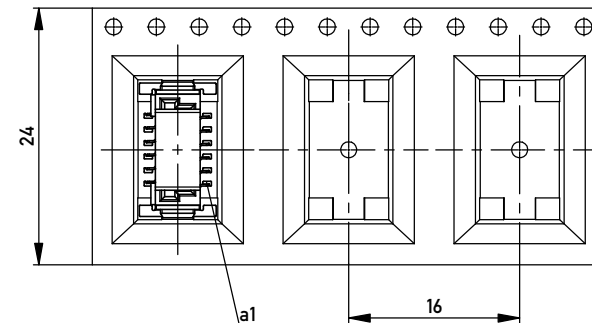
Verpackt im Gurt nach DIN IEC 60286-3  
 Tape on Reel Packaging according to DIN IEC 60286-3  
 Verpackungseinheit: 280 Stück  
 Packaging unit: 280 pcs



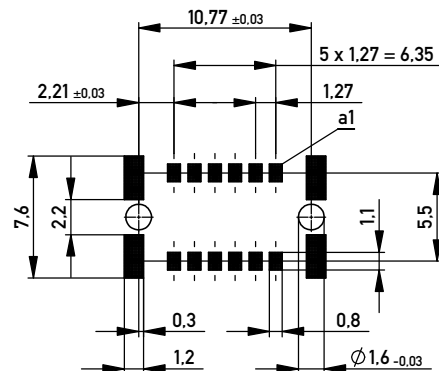
ohne Ansaughaube - without hood



Abspulrichtung - Reel off Direction



Leiterplatten-Layout Vorschlag für SMT  
 PCB-Layout Proposal for SMT



Anforderungsstufe 1  
 Performance Level 1

Kontaktbereich vergoldet  
 Mating Area gold plating

Anschlussbereich verzinkt 4-6 µm  
 Terminal Area 4-6 µm tin plating

Koplanarität der Anschlüsse ≤ 0,1 mm  
 Coplanarity Area of Termination ≤ 0,1 mm

BA 7-03 - Standard Bauhöhe

type 7-03 - standard assembly height

Information:	Tolerances	 All Dimensions in mm	Scale	3:1
	All rights reserved. Only for Information. To ensure that this is the latest version of this drawing, please contact one of the ERNI companies before using.		Designation <b>Federl. SMC-B 12-SMD-BA7-03</b> <i>Female SMC-B 12-SMD-type7-03</i>	
Subject to modification without prior notice. Drawing will not be updated.		 www.ERNI.com	<b>154717</b>	
e	04.12.2013		Class SMCB	
Index	Date	Class SMCB		I <b>A3</b>

Copyright by ERNI GmbH. Proprietary notice pursuant to ISO 16018 to be observed.