

KM6-II Subracks: Accessories

PCB EJECTORS

These are designed to aid the easy removal of printed circuit boards from subracks and case frames. To remove the card, ejectors are pushed downwards and then levered against the front extrusion. The ejectors are of a size that they can be used for easy insertion of boards and at the same time offer some protection to the components of the board.

Contents of kit

Description	Qty.	Material/Finish
PCB ejectors	pk 10	Noryl SE1, green
Fixing pins	pk10	Steel

Ordering information

Description	Qty.	Order code
PCB ejector	10	173-12659F

PCB INJECTOR/EJECTOR

PCB's fitted with multiple DIN connectors can require very high insertion and withdrawal forces. These injector/ejectors comprise levers which fit to the PCB and saddles which are retained in front of the guide.

It is recommended that guides are screwed down where insertion forces are excessive. See page 33.

Contents of kit

Description	Qty.	Material/Finish
PCB injector/ejector	pk 10 pairs	Glass filled nylon 66
Fixings		

Ordering information

Description	Qty.	Order code
PCB injector/ejector	10 pairs	950-251174D

FLEXIBLE CARD HANDLES

The design of this handle allows a positive grip for card extraction by bowing out from the board when pulled. When not in use it projects less than 2,0mm outward from the card edge, thereby being compatible with KM6 system.

Contents of kit

Description	Qty.	Material/Finish
Handles	pk 10	Nylon 66
Tension pins	pk 10	Steel

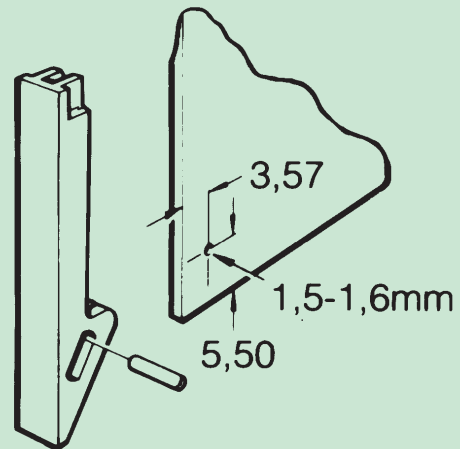
Ordering information

Description: Flexible card handles

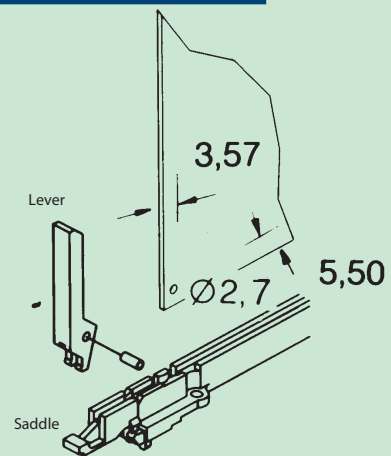
Material	Colour	Qty.	Order code
	Natural	10	21-1884E
	Red	10	21-1885L
Nylon 66	Green	10	21-1886F
	Yellow	10	21-1887A
	Black	10	21-1888G
	Blue	10	21-1889B

Note: all accessories on this page will fit behind a normal IEC 297 front panel

PCB Ejector



PCB Injector/Ejector



Not compatible with KM6-RF subracks

Flexible card handle

