

Receptacle Housings

**Technical Features**

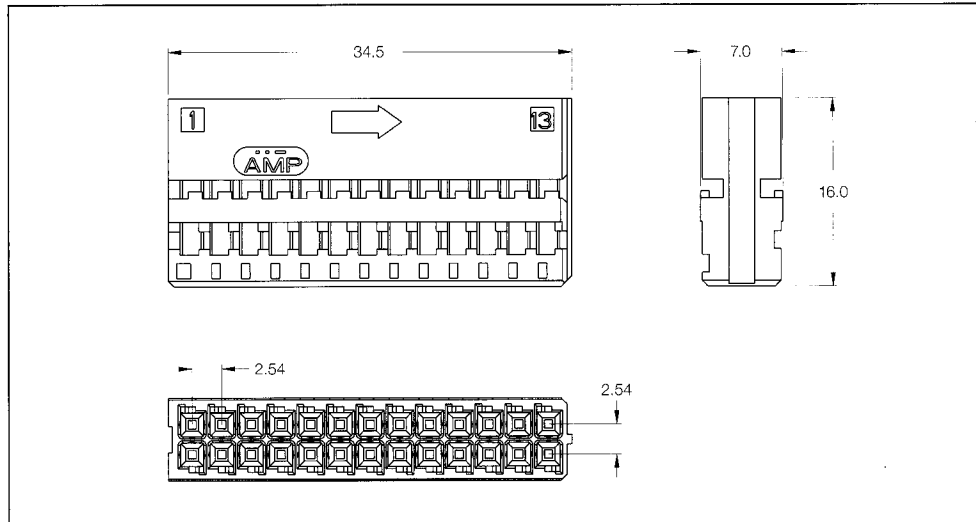
**No. of Positions:**  
26 Positions (1<sup>st</sup> Generation)

**Housing Material:**  
PBT GF20

**Wire Size Range:**  
0.35–0.75 mm<sup>2</sup>

**Product Specifications:**  
108-15090 Cover + Rec. Housing  
108-15134 Locking Device

**Application Specifications:**  
411-15511 Receptacle Housing  
411-15554 Locking Device



**26 Position Receptacle Housings**

No. of Pos.	Keying Options	Housing Color	Part Numbers							
			Receptacle Housing	Cover	Locking Device	Cover and Lever	Retainer Housing	Mating Tab Housing	Mating PCB Header Right-Angle	Mating PCB Header Vertical
26	-	Black	144935-1	-	144936-1	-	-	953736	-	-
		Yellow	-	144934-1	-	-	-	-	185890	185454
		Blue	-	144934-2	-	-	-	-	185534	144930
								185904	953472	953236

**Technical Features**

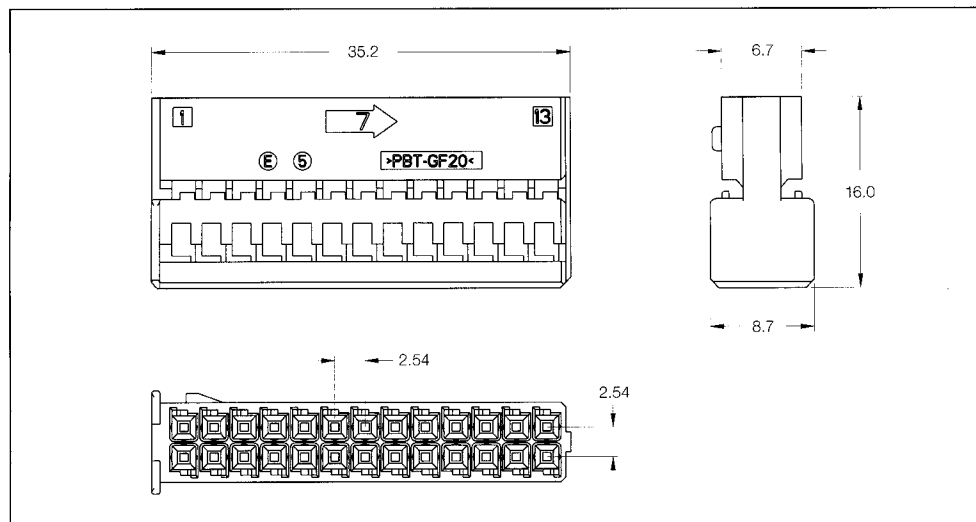
**No. of Positions:**  
26 Positions (2<sup>nd</sup> Generation)

**Housing Material:**  
PBT GF20

**Wire Size Range:**  
0.35–0.75 mm<sup>2</sup>

**Product Specification:**  
108-15158

**Application Specification:**  
411-15581



**26 Position Receptacle Housings**

No. of Pos.	Keying Options	Housing Color	Part Numbers							
			Receptacle Housing	Cover	Locking Device	Cover and Lever	Retainer Housing	Mating Tab Housing	Mating PCB Header Right-Angle	Mating PCB Header Vertical
26	-	Black	185875-1	-	-	-	-	953736	-	-
		Yellow	-	185879-1	-	-	-	-	-	185226
		Blue	-	185879-2	-	-	-	-	185890	185454
		Red	-	185879-3	-	-	-	-	185534	144930
		Green	-	185879-4	-	-	-	-	185904	953472