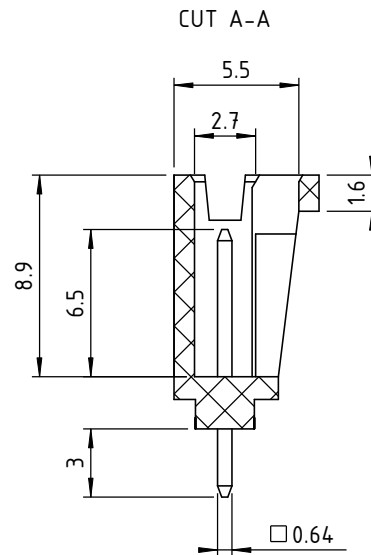
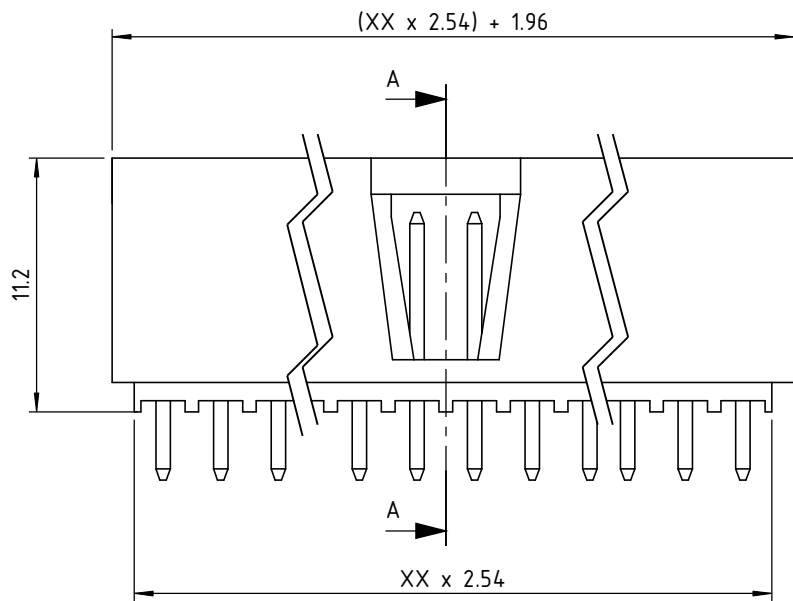


D C B A

4
3
2
1



TECHNICAL DATA

INSULATOR

Glass filled plastic UL94 V0



PLATING

Y = 1 Tin plated (thickness : Ni 2μ + Sn 5μ)
Y = 4 Gold plated (thickness : Ni 1.25μ mini. + Flash Au 0.1μ)

MECHANICAL SPECIFICATIONS

Mechanical endurance :
50 operations with tin plated
500 operations with gold plated

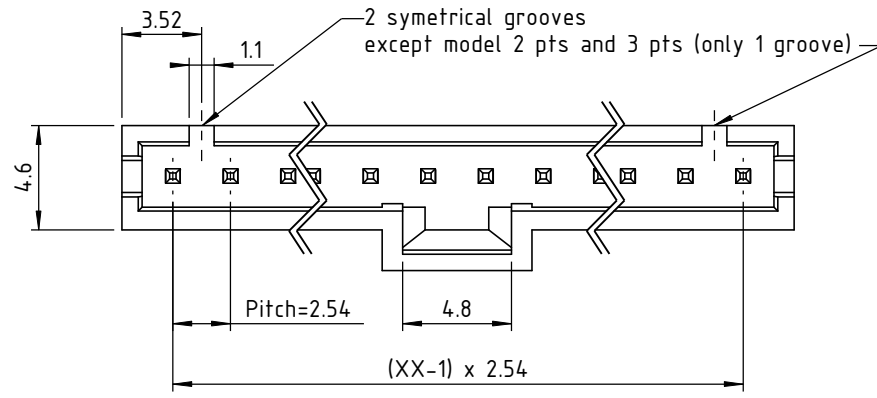
Insertion Force :
3 N max. with tin plated
1.5 N max. with gold plated

ELECTRICAL SPECIFICATIONS

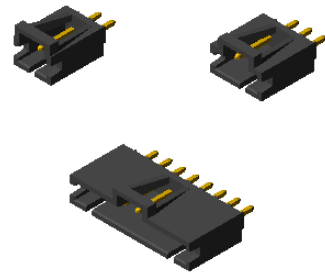
Contact resistance : 20mΩ max.
AC current rating per contact 3A
Min. withstanding voltage 500V RMS
Min. insulator resistance 1000 MΩ

THERMAL SPECIFICATIONS

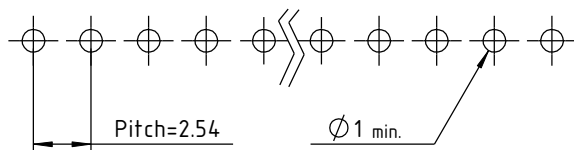
Connectors operating temperature : -40°C to +150°C



3D view scale 1 : 1



PCB layout recommended :



XX : Number of points : 02 to 25 points

 www.nicomatic.com Mail : nicomatic@nicomatic.fr Tel : +33 (0)4.50.36.13.85	2	03/04/09	C.G.	E.M.	D.Z.
	Iss	Date	Drawn	Checked	Approved
Item : Walled header, straight single row					
Folder : X:\Méthodes\Plans clients\Plans clients 2D\31 - Connecteurs et dérivés HE13-HE14\03-Connecteurs\1L10-1Y1-XX-1_cl					

This document and drawings, sketches, and schematic drawings are the property of the NICOMATIC company, and no parts thereof may be reproduced and used without the written consent of the owner. Law dated 11.03.1902

Catalogue Reference : **1L-10-1Y1-XX-1**

	General tolerance	±0.1	Scale	3:1	Page	1/1
--	-------------------	------	-------	-----	------	-----

D C B A A4