

Features

- Fully encapsulated
- Low profile
- Low insertion loss
- Frequency range 10 kHz to 500 MHz
- Impedance levels from 12.5 Ω to 800 Ω (nominal 50 Ω)
- 6 pin DIP and SMD

- RoHS compliant**

RF2, RF3, RF4 Series - Wideband Transformers

Electrical Specifications @ 25 °C

| Part Number | | | Ratio Impedance | Frequency MHz | Insertion Loss | | | Schematic |
|-------------|-----------|-----------|-----------------|---------------|----------------|----------|----------|-----------|
| Type D | Type W | Type J | | | 3 dB MHz | 2 dB MHz | 1 dB MHz | |
| 2-1-1D_ | 2-1-1W_ | 2-1-1J_ | 1 | .050-200 | .050-200 | .080-150 | .20-80 | |
| 2-1-6D_ | 2-1-6W_ | 2-1-6J_ | 1 | .030-300 | .030-300 | .100-150 | .20-50 | |
| 2-2-1D_ | 2-2-1W_ | 2-2-1J_ | 2 | .070-200 | .070-200 | .100-100 | .50-50 | |
| 2-2.5-6D_ | 2-2.5-6W_ | 2-2.5-6J_ | 2.5 | .010-100 | .010-100 | .020-50 | .05-20 | |
| 2-3-1D_ | 2-3-1W_ | 2-3-1J_ | 3 | .050-250 | .050-250 | .100-200 | .50-70 | |
| 2-4-1D_ | 2-4-1W_ | 2-4-1J_ | 4 | .200-350 | .200-350 | .350-300 | 2-100 | |
| 2-4-6D_ | 2-4-6W_ | 2-4-6J_ | 4 | .020-250 | .020-250 | .050-150 | .10-100 | |
| 2-5-1D_ | 2-5-1W_ | 2-5-1J_ | 5 | .300-300 | .300-300 | .600-200 | 5-100 | |
| 2-8-1D_ | 2-8-1W_ | 2-8-1J_ | 8 | .030-140 | .030-140 | .100-90 | 1-60 | |
| 2-13-1D_ | 2-13-1W_ | 2-13-1J_ | 13 | .300-120 | .300-120 | .700-80 | 5-20 | |
| 2-16-6D_ | 2-16-6W_ | 2-16-6J_ | 16 | .030-75 | .030-75 | .060-30 | 10-20 | |
| 3-1-1D_ | 3-1-1W_ | 3-1-1J_ | 1 | .150-400 | .150-400 | .350-200 | 2-50 | |
| 3-1-6D_ | 3-1-6W_ | 3-1-6J_ | 1 | .010-150 | .010-150 | .020-100 | .05-50 | |
| 3-1.5-1D_ | 3-1.5-1W_ | 3-1.5-1J_ | 1.5 | .100-300 | .100-300 | .200-150 | .50-80 | |
| 3-1.5-6D_ | 3-1.5-6W_ | 3-1.5-6J_ | 1.5 | .020-100 | .020-100 | .050-50 | .10-25 | |
| 3-2.5-6D_ | 3-2.5-6W_ | 3-2.5-6J_ | 2.5 | .010-100 | .010-100 | .020-50 | .05-20 | |
| 3-4-6D_ | 3-4-6W_ | 3-4-6J_ | 4 | .020-200 | .020-200 | .050-150 | .10-100 | |
| 3-9-1D_ | 3-9-1W_ | 3-9-1J_ | 9 | .150-200 | .150-200 | .300-150 | 2-40 | |
| 3-16-1D_ | 3-16-1W_ | 3-16-1J_ | 16 | .300-120 | .300-120 | .700-80 | .50-20 | |
| 3-36-1D_ | 3-36-1W_ | 3-36-1J_ | 36 | .030-20 | .030-20 | .050-10 | .10-5 | |
| 4-1-6D_ | 4-1-6W_ | 4-1-6J_ | 1 | .040-500 | .040-500 | .200-200 | 1-50 | |
| 4-1.5-1D_ | 4-1.5-1W_ | 4-1.5-1J_ | 1.5 | .075-500 | .075-500 | .200-100 | .10-50 | |
| 4-2.5-6D_ | 4-2.5-6W_ | 4-2.5-6J_ | 2.5 | .010-50 | .010-50 | .025-25 | .05-10 | |
| 4-4-1D_ | 4-4-1W_ | 4-4-1J_ | 4 | .050-200 | .050-200 | .200-50 | 1-30 | |
| 4-25-1D_ | 4-25-1W_ | 4-25-1J_ | 25 | .020-30 | .020-30 | .050-20 | .10-10 | |

Note

RF2 and RF3 are standard units. RF4 only on request.

Terminal Material: 97Sn/2.5Cu/0.5Ag

Operating Temperature Range: 0 °C to +70 °C

Storage Temperature Range: -40 °C to +85 °C

*RoHS Directive 2002/95/EC Jan. 27, 2003 including annex and RoHS Recast 2011/65/EU June 8, 2011.

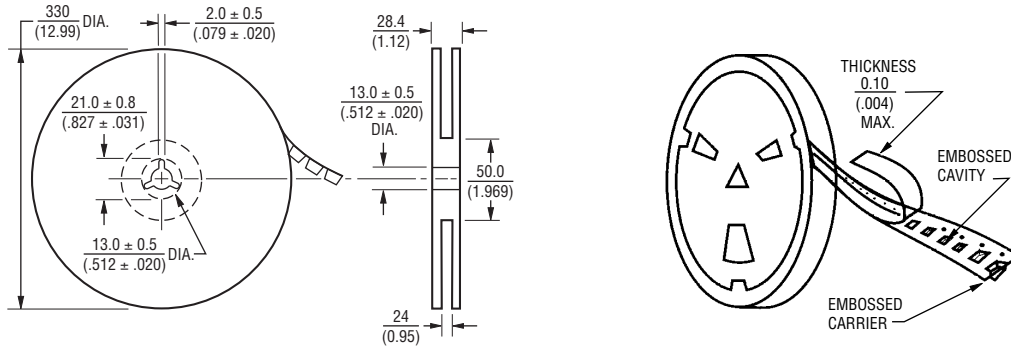
Specifications are subject to change without notice.

Customers should verify actual device performance in their specific applications.

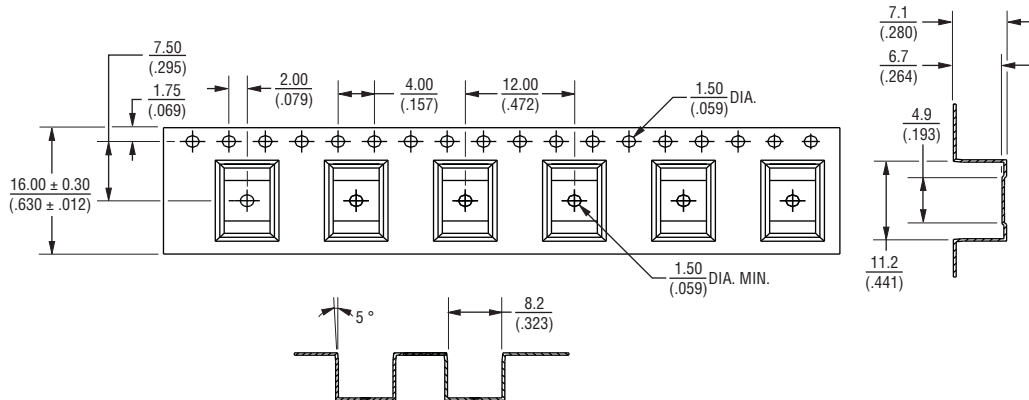
RF2, RF3, RF4 Series - Wideband Transformers



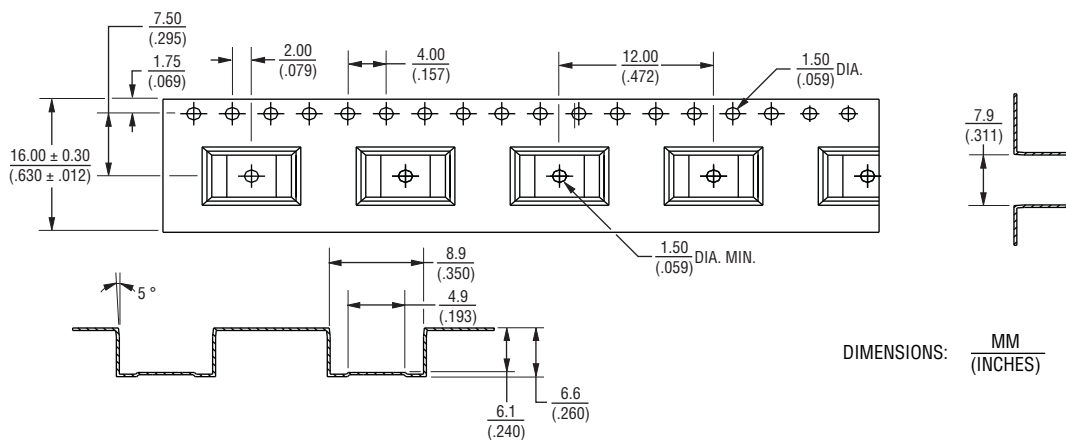
Packaging Dimensions



Tape Dimensions for "W" Type



Tape Dimensions for "J" Type



DIMENSIONS: $\frac{\text{MM}}{\text{(INCHES)}}$