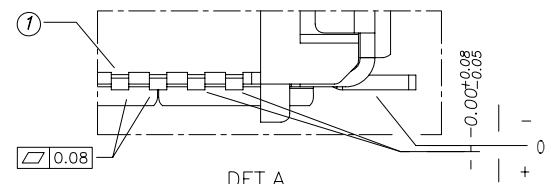
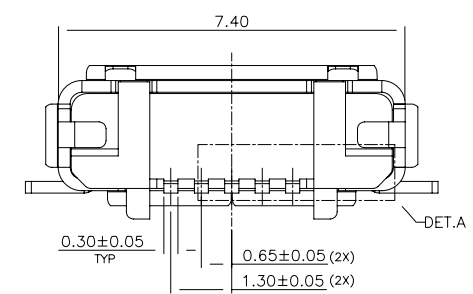
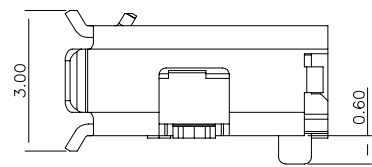
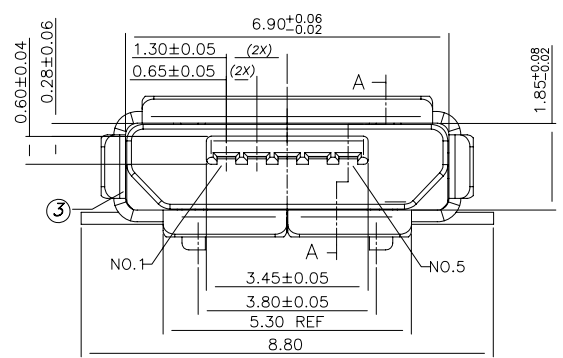


SEC. A-A

PCB LAYOUT(SCALE 4:1)
TOLERANCE:±0.05



DET.A
SCALE 10:1

△ PRODUCT NUMBER:
207A-A B A 0-R
1 2 3 4

- 1.Type
A:AB Type
- 2.Contact Plating
B:30u" Gold Plating
- 3.Peg
A:With Peg
- 4.RoHS

ITEM	DESC.	MATERIAL	REMARKS	PART REMARKS
3	SHELL	STAINLESS STEEL, T=0.25	40u" Min. NICKEL OVER PLATED	
2	HOUSING	HIGH TEMPERATURE THERMAL PLASTIC	COLOR:GRAY	
1	CONTACT	COPPER ALLOY,T=0.20	CONTACT AREA:Au 30u"Min, SOLDER AREA:Au 3u" Min.	

UNLESS OTHERWISE SPECIFIED TOLERANCE	
ANG.	±5°
0.	±0.3
.0	±0.25
.00	±0.20
SCALE: AS SHOWN	UNIT: mm
DRAWN Willis	2007/06/20
CHECKED Angel	2007/06/20
APPROVED Ken	2007/06/20
SIZE A4	REV.

Attend
ATTEND TECHNOLOGY INC.
www.attend.com.tw

REV.	1	2	3	4	5	6	7	8	9	10	
	DESCRIPTION						DATE				
	Revise: Product Number: Contact Area(Gold 30u") and Peg Area						2009/08/11				

DRAWN NAME:	Micro USB-AB Receptacle SMT Type
PRODUCT NO.	207A-ABA0-R
FILE NAME:	207A-ABA0-R_B_1