

Straight PCB, Series 90, High Density Connectors (Industrial Grade)

Material and Finish

Shell — Steel, cadmium plated

Insert — Polyphenylene Sulfide (PPS)

Retention Clips — Stainless steel

Related Product Data

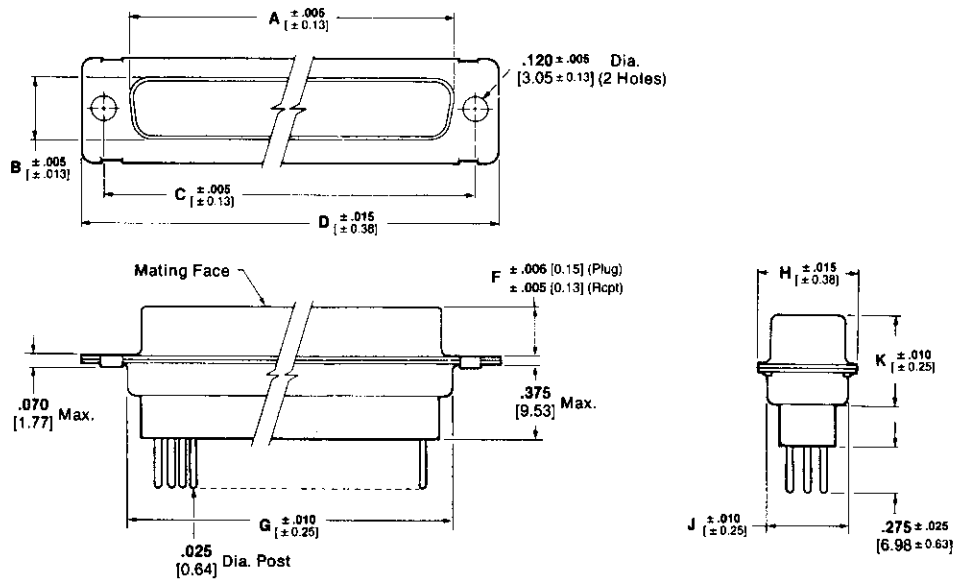
Cavity Identification — page 5127

Contacts — page 5129

Mounting, Mating Dimensions — page 5143

Accessories — pages 5148-5150

PCB Layouts — See page 5145 or AMP customer drawing



Replacement Pin Contact
Part Number 207683-8

Plugs

No. of Contact Pos. (Shell Size)	Dimensions										AMP Part No.
	A (Inside)	B (Inside)	C	D	F	G	H	J	K		
15 (1)	.666 16.92	.329 8.36	.984 24.99	1.213 30.81	.235 5.97	.759 19.28	.494 12.55	.422 10.72	.422 10.72	208866-1	
26 (2)	.994 25.25	.329 8.36	1.312 33.32	1.541 39.14	.235 5.97	1.083 27.51	.494 12.55	.422 10.72	.422 10.72	208867-1	
44 (3)	1.534 38.96	.329 8.36	1.852 47.04	2.088 53.04	.230 5.84	1.625 41.3	.494 12.55	.422 10.72	.426 10.82	208868-1	
62 (4)	2.182 55.42	.329 8.36	2.500 63.5	2.729 69.32	.230 5.84	2.272 57.7	.494 12.55	.422 10.72	.426 10.82	208869-1	
78 (5)	2.079 52.81	.441 11.20	2.406 61.11	2.635 66.93	.230 5.84	2.178 55.32	.605 15.37	.534 13.56	.426 10.82	208870-1	
104 (6)	2.212 56.18	.503 12.78	2.500 63.5	2.729 69.32	.230 5.84	2.302 58.47	.668 16.97	.596 15.14	.426 10.82	208871-1	

Replacement Socket Contact
Part Number 207684-4

Receptacles

No. of Contact Pos. (Shell Size)	Dimensions										AMP Part No.
	A (Outside)	B (Outside)	C	D	F	G	H	J	K		
15 (1)	.643 16.33	.311 7.9	.984 24.99	1.213 30.81	.243 6.17	.759 19.28	.494 12.55	.422 10.72	.429 10.9	208872-1	
26 (2)	.971 24.66	.311 7.9	1.312 33.32	1.541 39.14	.243 6.17	1.083 27.51	.494 12.55	.422 10.72	.429 10.9	208873-1	
44 (3)	1.511 38.38	.311 7.9	1.852 47.04	2.088 53.04	.243 6.17	1.625 41.3	.494 12.55	.422 10.72	.429 10.9	208874-1	
62 (4)	2.159 54.84	.311 7.9	2.500 63.5	2.729 69.32	.243 6.17	2.272 57.7	.494 12.55	.422 10.72	.429 10.9	208875-1	
78 (5)	2.064 52.43	.423 10.74	2.406 61.11	2.635 66.93	.243 6.17	2.178 55.32	.605 15.37	.534 13.56	.429 10.9	208876-1	
104 (6)	2.189 55.6	.485 12.32	2.500 63.5	2.729 69.32	.243 6.17	2.302 58.47	.668 16.97	.596 15.14	.429 10.9	208877-1	

Pin and Socket Connectors