

4 Row, Signal Modules, Right-Angle Pin Assemblies

**16mm Wide Body
Right-Angle
Pin Assemblies
with Solder Leads and
Compliant Press-Fit Leads**

Material and Finish:

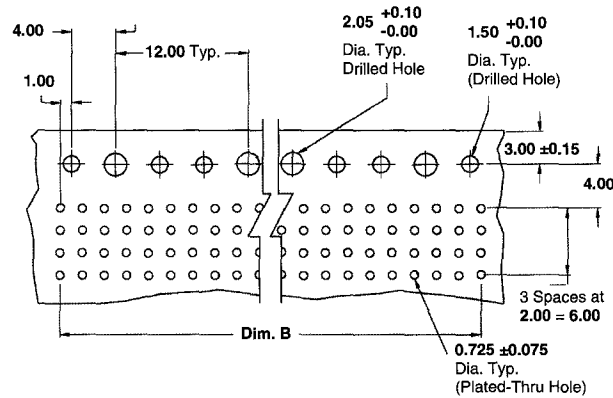
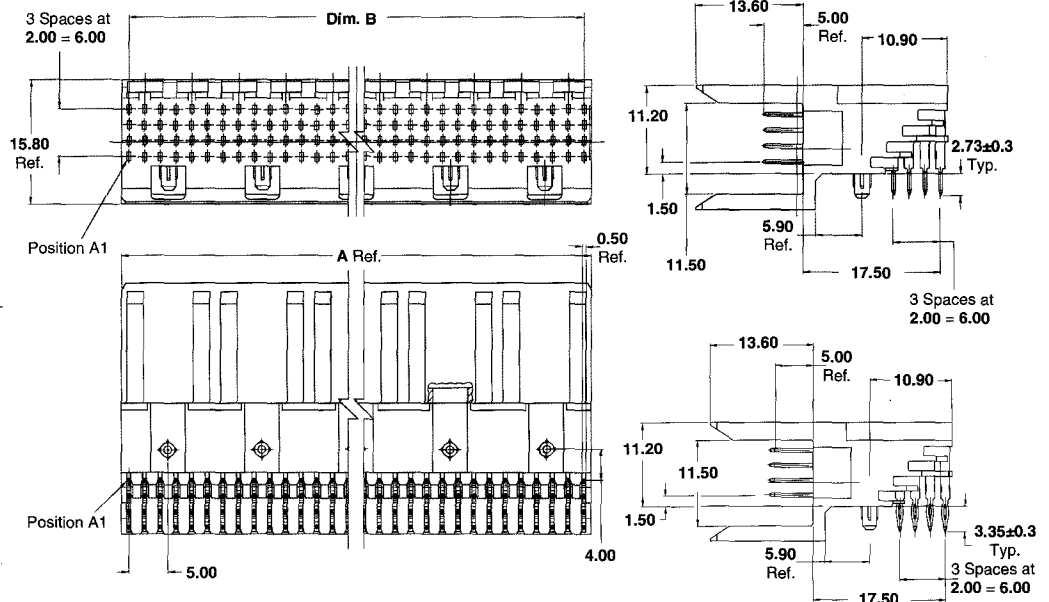
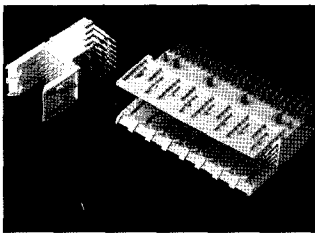
Housing — Liquid crystal polymer
Pin Contacts — Phosphor bronze, mating surface plating conforms to all testing specified for Telcordia Uncontrolled Environment, with entire contact underplated with 0.00127 min. nickel. See customer drawing for specific lead plating.

Related Product Data:

- Material Specifications** — page 27
- Performance/Test Level Data** — page 27
- Compliant Press-Fit Contact Specifications** — page 28
- Application Tooling** — page 29, 30

**Technical Documents
(page 2):**

- Product Specification**
108-1441
- Application Specification**
114-1075
- Instruction Sheets**
408-6927
- Electrical Performance Report**
65476



**Recommended PC Board Hole Layout
per IPC-D-300, Type II, Class C (Component Side)**

Right-Angle Pin Assemblies

No. of Positions	Dimensions		Part Numbers		Seating Tooling
	A	B	with Solder Leads	with Press-Fit Leads	
24	11.88	10.00	223513-1	223514-1	Industry Standard Flat Rock
48	23.88	22.00	223513-2	223514-2	
72	35.88	34.00	223513-7	—	
96	47.88	46.00	223513-3	223514-3	
120	59.88	58.00	223513-6	223514-6	
144	71.88	70.00	223513-5	223514-5	
168	83.88	82.00	223513-8	—	
192	95.88	94.00	223513-4	223514-4	

Part Numbers shown are tin-lead plated part numbers. See pages 31-33 for RoHS Compliant Part Numbers.