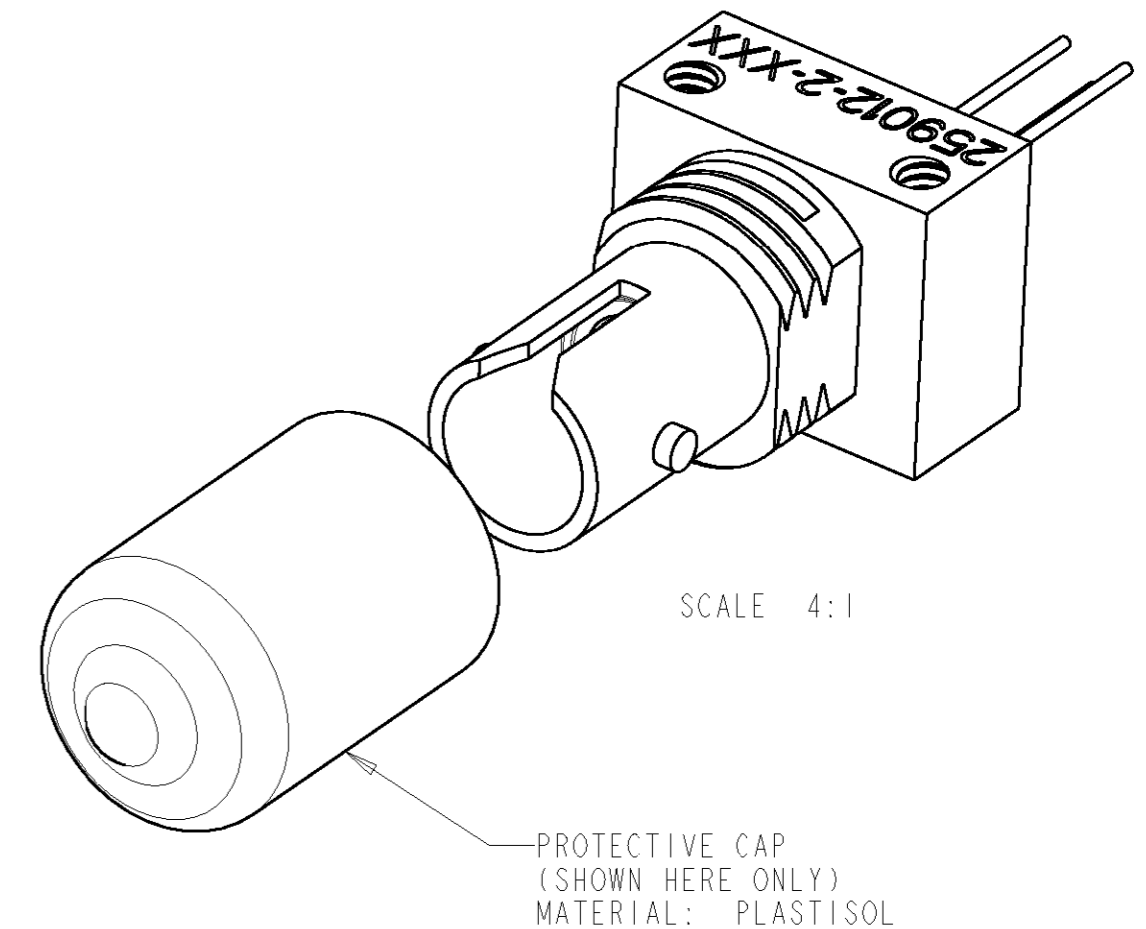
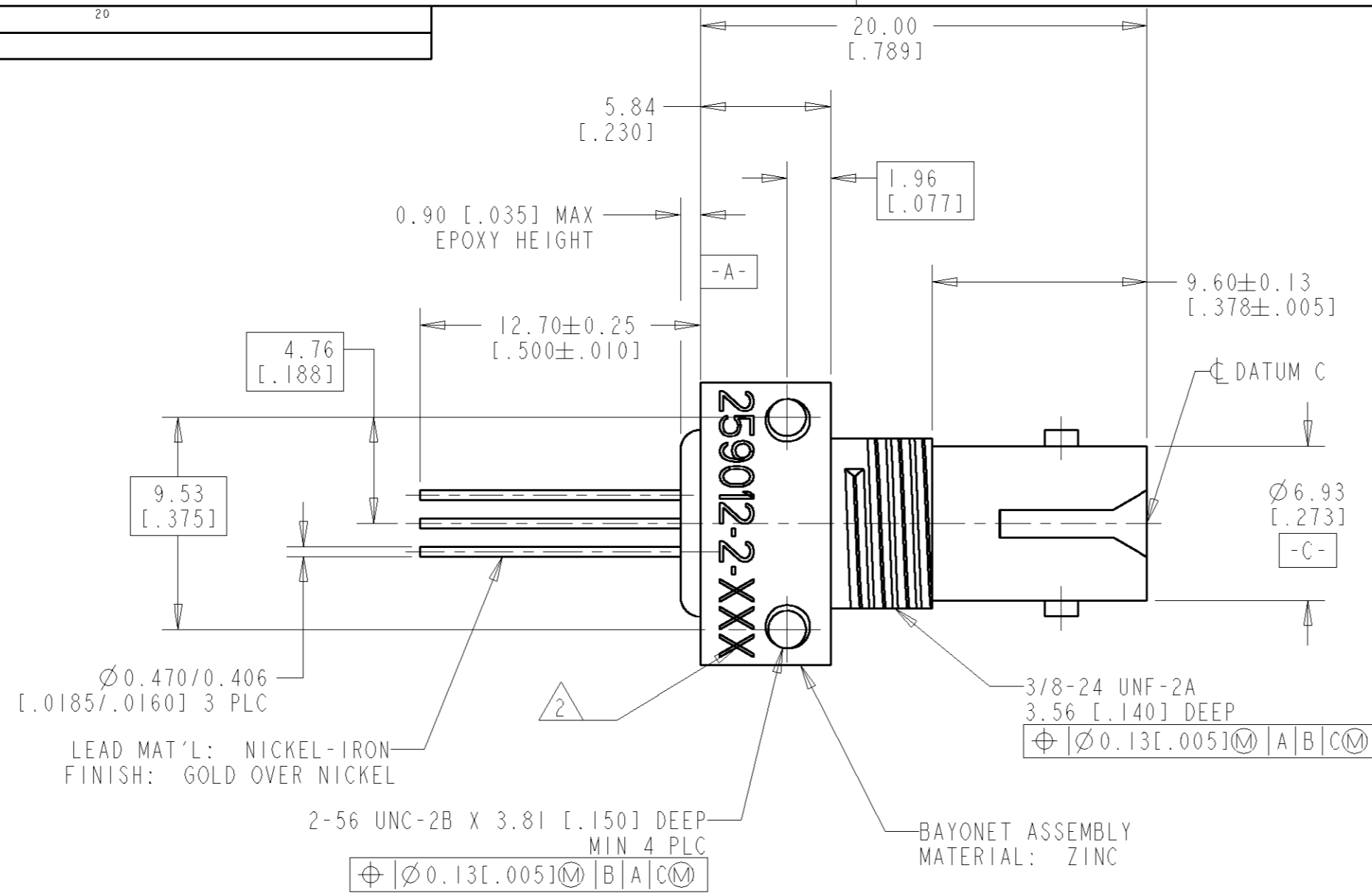
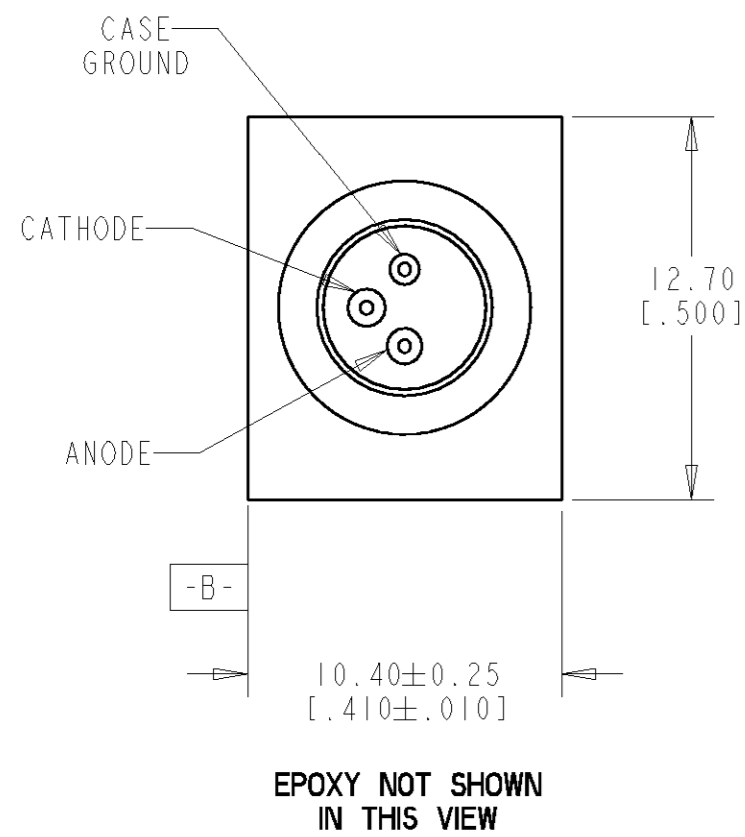


THIS DRAWING IS UNPUBLISHED. RELEASED FOR PUBLICATION 20
 © COPYRIGHT 20 BY TYCO ELECTRONICS CORPORATION. ALL RIGHTS RESERVED.

LOC	DIST	REVISIONS					
DR	39	P	LTR	DESCRIPTION	DATE	DWN	APVD
		M		ECO20-0278-03	01DEC2003	LAM	JW



LED PERFORMANCE SPECIFICATION (25° C, 100mA FORWARD CURRENT)

PARAMETER	SYMBOL	TEST CONDITION	MIN	TYP	MAX	UNITS
LAUNCHED POWER	P_o	50/125 FIBER	20	30	-	μ W
	P_o	62.5/125 FIBER	50	75	-	μ W
CENTER WAVELENGTH	λ_c	-	1290	-	1350	nm
SPECTRAL WIDTH	$\Delta\lambda$	-	-	-	170	nm
FORWARD VOLTAGE	V_F	-	-	1.4	1.7	V
RISE TIME/ FALL TIME	T_{RF}	-	-	2.5	4	ns
LEAKAGE CURRENT	I_L	$V = -2V$	-	-	2	μ A
CAPACITANCE	C	$V = 0V, f = 1MHz$	-	15	50	pF

1. DEVICE LEADS ARE ON 2.54 [.100] DIA BASE CIRCLE
2. XXX REPRESENTS THE DATE CODE
3. ESD SENSITIVE DEVICE--PROTECTION REQUIRED
4. ASSEMBLY SUPPLIED WITH PANEL NUT AND LOCKWASHER, TWO STAINLESS STEEL SCREWS (NOT SHOWN) AND A PROTECTIVE CAP

ABSOLUTE MAXIMUM RATINGS

PARAMETER	SYMBOL	TEST CONDITION	MIN	TYP	MAX	UNITS
OPERATING TEMPERATURE	T_O	-	-40	-	85	°C
STORAGE TEMPERATURE	T_S	-	-40	-	125	°C
REVERSE VOLTAGE	V_R	-	-	-	2	V
FORWARD CURRENT	I_F	-	-	-	150	mA

259012-2
PART NUMBER

THIS DRAWING IS A CONTROLLED DOCUMENT FOR TYCO ELECTRONICS CORPORATION. IT IS SUBJECT TO CHANGE AND THE CONTROLLING ENGINEERING ORGANIZATION SHOULD BE CONTACTED FOR THE LATEST REVISION.		DWN L.A.MAYER 01DEC2003	Tyco Electronics Harrisburg, PA 17105-3608	
DIMENSIONS: mm [INCHES]		CHK J.WESTMAN 01DEC2003	NAME 2.5mm BAYONET, 1.3 μ m PCB MOUNT LED (PREMIUM)	
TOLERANCES UNLESS OTHERWISE SPECIFIED: 0 PLC ± 1 PLC ± 2 PLC ±0.08(.001) 3 PLC ± 4 PLC ± ANGLES ± FINISH		APVD S.FLICKINGER 01DEC2003	PRODUCT SPEC 108-55008	
MATERIAL		APPLICATION SPEC		RESTRICTED TO
		WEIGHT	SIZE A2	CAGE CODE 00779
		DRAWING NO 259012-2		REV M
CUSTOMER DRAWING		SCALE 4:1		SHEET OF