

Hi-Rel 80 V - 1 A NPN bipolar transistor

Features

BV_{CEO}	80 V
I_C (max)	1 A
H_{FE} at 10 V - 150 mA	> 100
Operating temperature range	-65°C to +200°C

- Hi-Rel NPN bipolar transistor
- Linear gain characteristics
- ESCC qualified
- European preferred part list - EPPL
- 100 krad low dose rate
- Radiation level: lot specific total dose contact marketing for specified level

Description

The 2N3700HR is a silicon planar epitaxial NPN transistor in TO-18 and LCC-3 packages. It is specifically designed for aerospace Hi-Rel applications and ESCC qualified according to the 5201-004 specification. In case of conflict between this datasheet and ESCC detailed specification, the latter prevails.

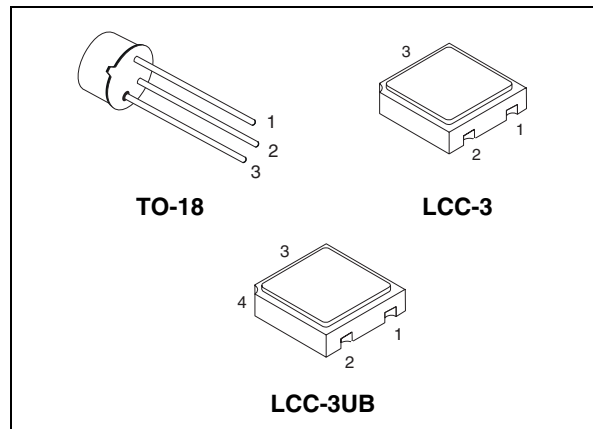


Figure 1. Internal schematic diagram

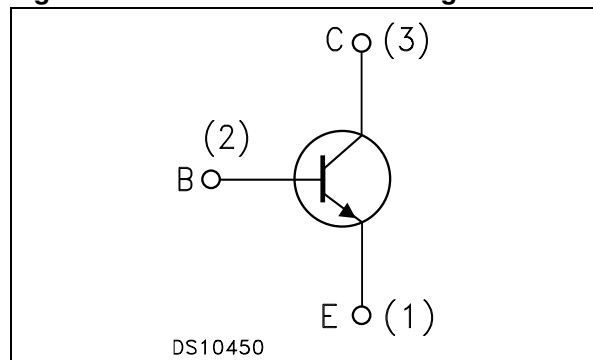


Table 1. Device summary

Order codes	ESCC part num.	Qual. level	Rad level	Packages	Lead finish	Mass (g)	EPPL
2N3700UB1	-	Eng. model		LCC-3UB	Gold	0.06	-
2N3700UBSW	5201/004/07	ESCC flight	100 krad	LCC-3UB	Solder dip	0.06	Y
2N3700UB06	5201/004/06	ESCC flight		LCC-3UB	Gold	0.06	-
2N3700UB07	5201/004/07	ESCC flight		LCC-3UB	Solder dip	0.06	-
SOC37000	-	Eng. model		LCC-3	Gold	0.06	-
SOC3700SW	5201/004/05	ESCC flight	100 krad	LCC-3	Solder dip	0.06	Y
SOC3700HRB	5201/004/04 or 05	ESCC flight		LCC-3	Gold/Solder dip ⁽¹⁾	0.06	Y
2N3700T1	-	Eng. model		TO-18	Gold	0.40	-
2N3700HR	5201/004/01 or 02	ESCC flight		TO-18	Gold/Solder dip ⁽¹⁾	0.40	-

1. Depending ESCC part number mentioned on the purchase order

1 Electrical ratings

Table 2. Absolute maximum ratings

Symbol	Parameter	Value	Unit
V_{CBO}	Collector-base voltage ($I_E = 0$)	140	V
V_{CEO}	Collector-emitter voltage ($I_B = 0$)	80	V
V_{EBO}	Emitter-base voltage ($I_C = 0$)	7	V
I_C	Collector current	1	A
P_{tot}	Total dissipation at $T_{amb} \leq 25\text{ °C}$ for 2N3700HR	0.5	W
	for SOC3700HRB	0.5	W
	for SOC3700HRB ⁽¹⁾	0.76	W
	Total dissipation at $T_c \leq 25\text{ °C}$ for 2N3700HR	1.8	W
T_{stg}	Storage temperature	-65 to 200	°C
T_J	Max. operating junction temperature	200	°C

1. When mounted on a 15 x 15 x 0.6 mm ceramic substrate.

Table 3. Thermal data for through-hole package

Symbol	Parameter	TO-18	Unit
R_{thJC}	Thermal resistance junction-case max	97	°C/W
R_{thJA}	Thermal resistance junction-ambient max	350	°C/W

Table 4. Thermal data for SMD package

Symbol	Parameter	SOC	Unit
R_{thJA}	Thermal resistance junction-ambient max	350	°C/W
R_{thJA}	Thermal resistance junction-ambient ⁽¹⁾ max	230	°C/W

1. When mounted on a 15 x 15 x 0.6 mm ceramic substrate.

2 Electrical characteristics

$T_{\text{case}} = 25\text{ °C}$ unless otherwise specified.

Table 5. Electrical characteristics

Symbol	Parameter	Test conditions	Min.	Typ.	Max.	Unit
I_{CBO}	Collector cut-off current ($I_{\text{E}} = 0$)	$V_{\text{CB}} = 90\text{ V}$			10	nA
		$V_{\text{CB}} = 90\text{ V}$ $T_{\text{amb}} = 110\text{ °C}$			100	nA
		$V_{\text{CB}} = 90\text{ V}$ $T_{\text{amb}} = 150\text{ °C}$			10	μA
I_{EBO}	Emitter cut-off current ($I_{\text{C}} = 0$)	$V_{\text{EB}} = 5\text{ V}$			10	nA
$V_{(\text{BR})\text{CBO}}$	Collector-base breakdown voltage ($I_{\text{E}} = 0$)	$I_{\text{C}} = 100\text{ }\mu\text{A}$	140			V
$V_{(\text{BR})\text{CEO}}^{(1)}$	Collector-emitter breakdown voltage ($I_{\text{B}} = 0$)	$I_{\text{C}} = 30\text{ mA}$	80			V
$V_{(\text{BR})\text{EBO}}$	Emitter-base breakdown voltage ($I_{\text{C}} = 0$)	$I_{\text{E}} = 100\text{ }\mu\text{A}$	7			V
$V_{\text{CE}(\text{sat})}^{(1)}$	Collector-emitter saturation voltage	$I_{\text{C}} = 150\text{ mA}$ $I_{\text{B}} = 15\text{ mA}$			0.2	V
		$I_{\text{C}} = 500\text{ mA}$ $I_{\text{B}} = 50\text{ mA}$			0.5	V
$V_{\text{BE}(\text{sat})}^{(1)}$	Base-emitter saturation voltage	$I_{\text{C}} = 150\text{ mA}$ $I_{\text{B}} = 15\text{ mA}$	0.75	0.87	1	V
		$I_{\text{C}} = 150\text{ mA}$ $I_{\text{B}} = 15\text{ mA}$ $T_{\text{amb}} = 110\text{ °C}$	0.65	0.77	0.9	V
$h_{\text{FE}}^{(1)}$	DC current gain	$I_{\text{C}} = 10\text{ mA}$ $V_{\text{CE}} = 10\text{ V}$	90		300	
		$I_{\text{C}} = 150\text{ mA}$ $V_{\text{CE}} = 10\text{ V}$	100			
		$I_{\text{C}} = 500\text{ mA}$ $V_{\text{CE}} = 10\text{ V}$	50			
		$I_{\text{C}} = 150\text{ mA}$ $V_{\text{CE}} = 10\text{ V}$ $T_{\text{amb}} = -55\text{ °C}$	40			
h_{fe}	Small signal current gain	$V_{\text{CE}} = 10\text{ V}$ $I_{\text{C}} = 50\text{ mA}$ $f = 20\text{ MHz}$	5			
C_{CBO}	Output capacitance ($I_{\text{E}} = 0$)	$V_{\text{CB}} = 10\text{ V}$ $f = 1\text{ MHz}$			12	pF
C_{IBO}	Input capacitance ($I_{\text{C}} = 0$)	$V_{\text{EB}} = 0.5\text{ V}$ $f = 1\text{ MHz}$			60	pF

1. Pulsed duration = 300 μs , duty cycle $\leq 2\%$

2.1 Electrical characteristics (curves)

Figure 2. DC current gain ($V_{CE}=1\text{ V}$)

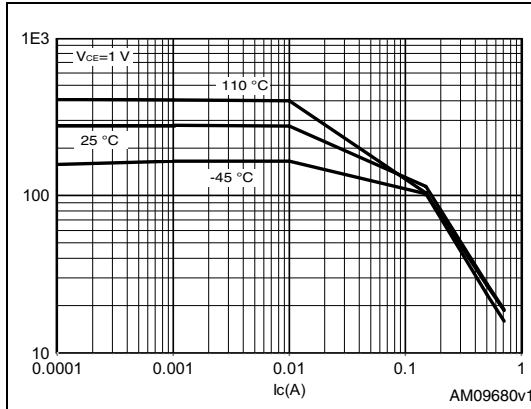


Figure 3. DC current gain ($V_{CE}=10\text{ V}$)

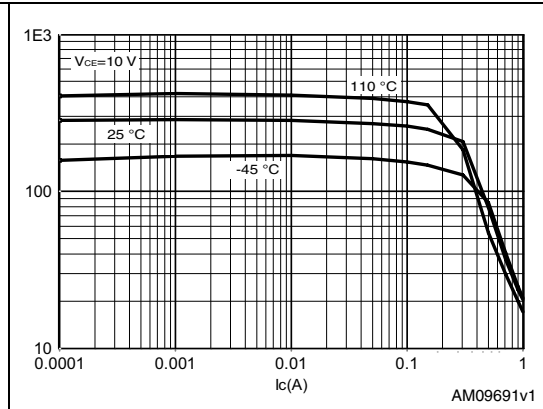


Figure 4. Collector emitter saturation voltage

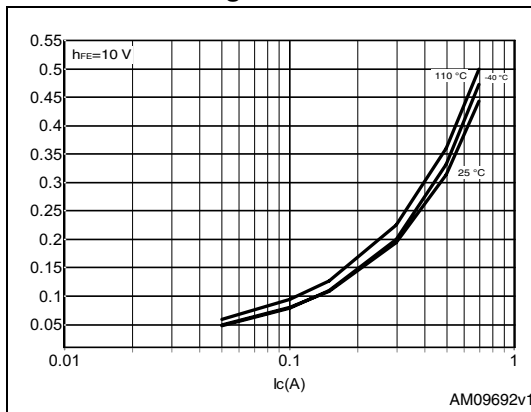
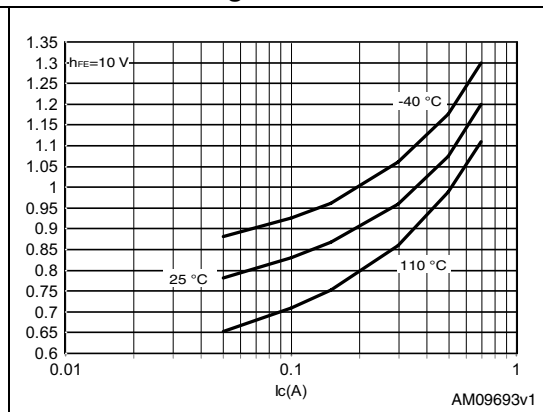
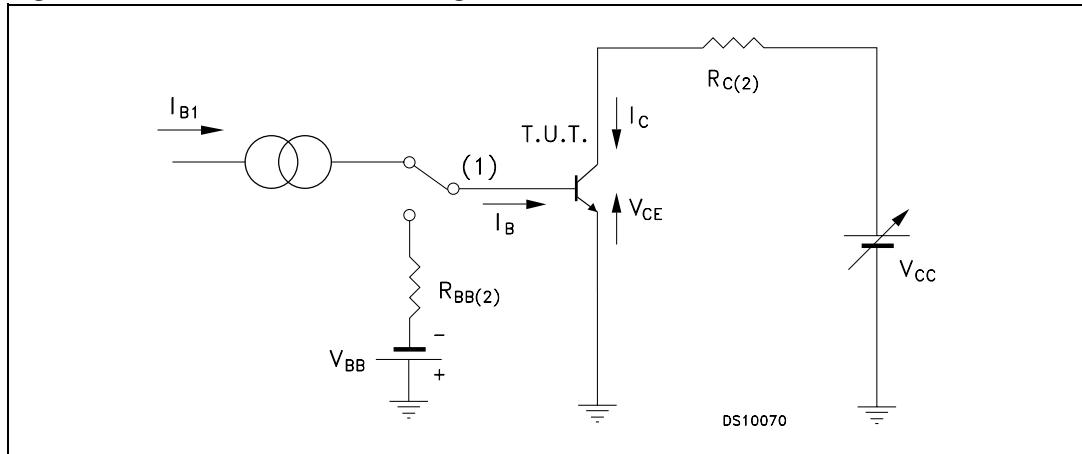


Figure 5. Base emitter saturation voltage



2.2 Test circuit

Figure 6. Resistive load switching test circuit



1. Fast electronic switch
2. Non-inductive resistor

3 Package mechanical data

In order to meet environmental requirements, ST offers these devices in different grades of ECOPACK[®] packages, depending on their level of environmental compliance. ECOPACK[®] specifications, grade definitions and product status are available at: www.st.com. ECOPACK[®] is an ST trademark.

Table 6. LCC-3UB mechanical data

Dim.	mm.		
	Min.	Typ.	Max.
A	1.16		1.42
C	0.46	0.51	0.56
D	0.56	0.76	0.96
E	0.92	1.02	1.12
F	1.95	2.03	2.11
G	2.92	3.05	3.18
I	2.41	2.54	2.67
J	0.42	0.57	0.72
K	1.37	1.52	1.67
L	0.41	0.51	0.61
M	2.46	2.54	2.62
N	1.81	1.91	2.01
r		0.20	
r1		0.30	
r2		0.56	

Figure 7. LCC-3UB drawings

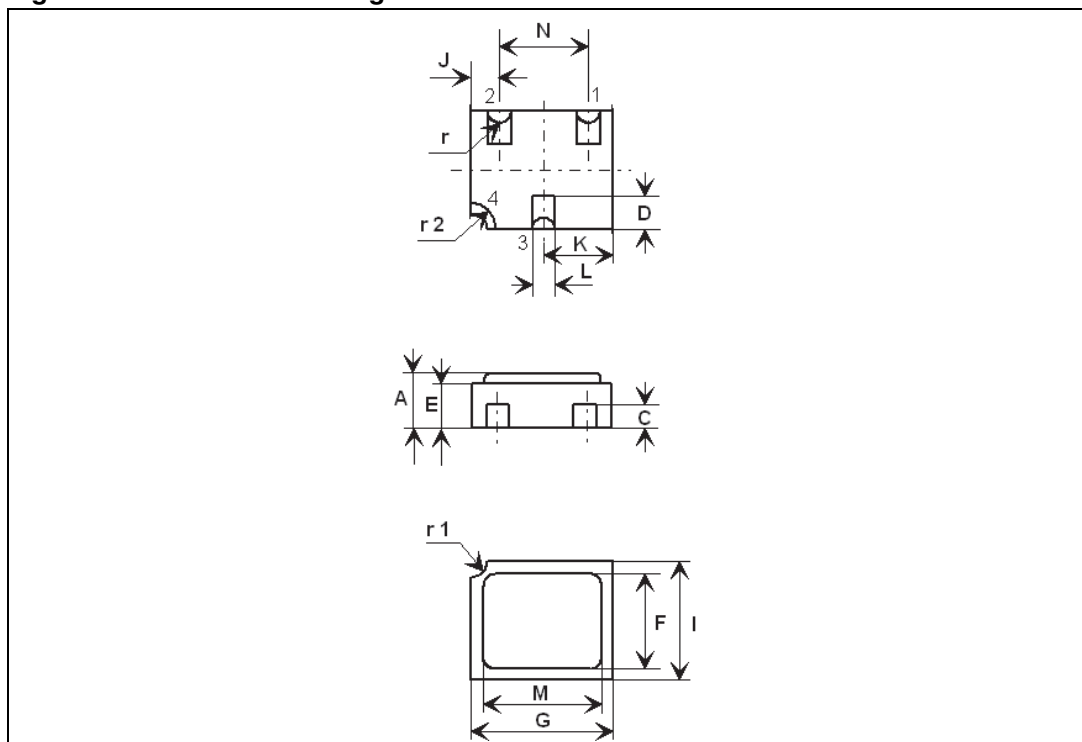


Table 7. LCC-3 mechanical data

Dim.	mm.		
	Min.	Typ.	Max.
A	1.16		1.42
C	0.45	0.50	0.56
D	0.60	0.76	0.91
E	0.91	1.01	1.12
F	1.95	2.03	2.11
G	2.92	3.05	3.17
I	2.41	2.54	2.66
J	0.42	0.57	0.72
K	1.37	1.52	1.67
L	0.40	0.50	0.60
M	2.46	2.54	2.62
N	1.80	1.90	2.00
R		0.30	

Figure 8. LCC-3 drawings

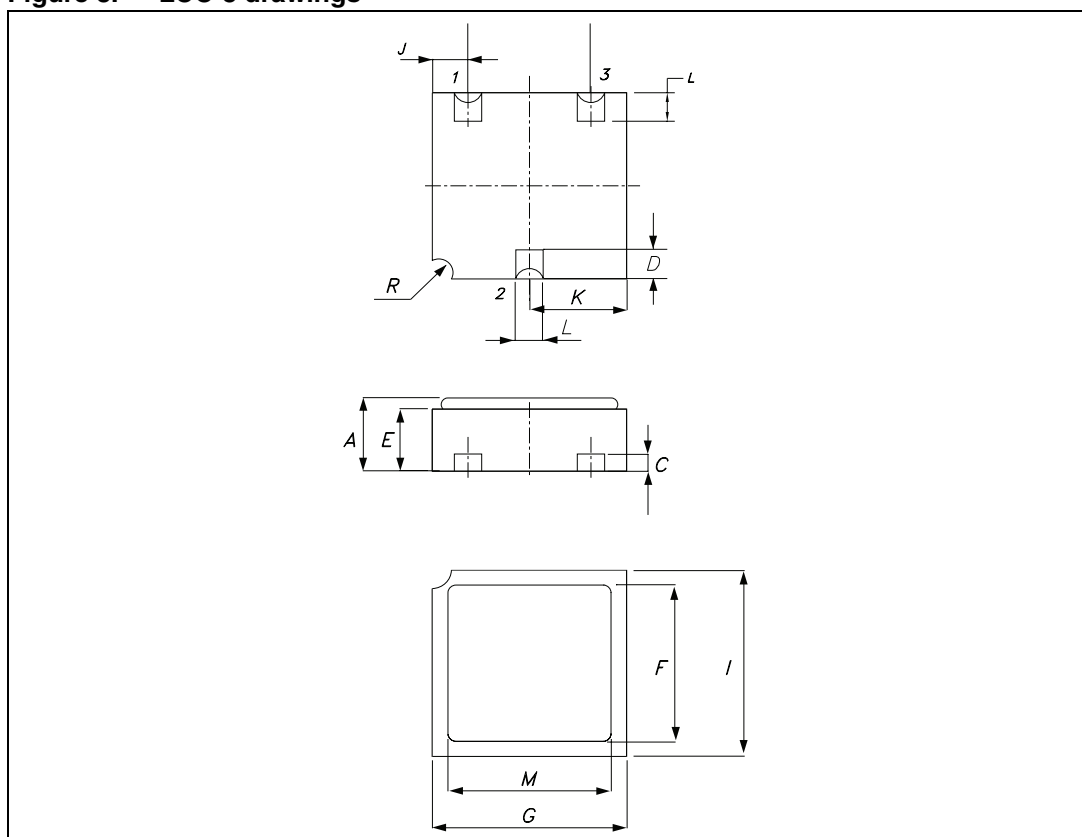
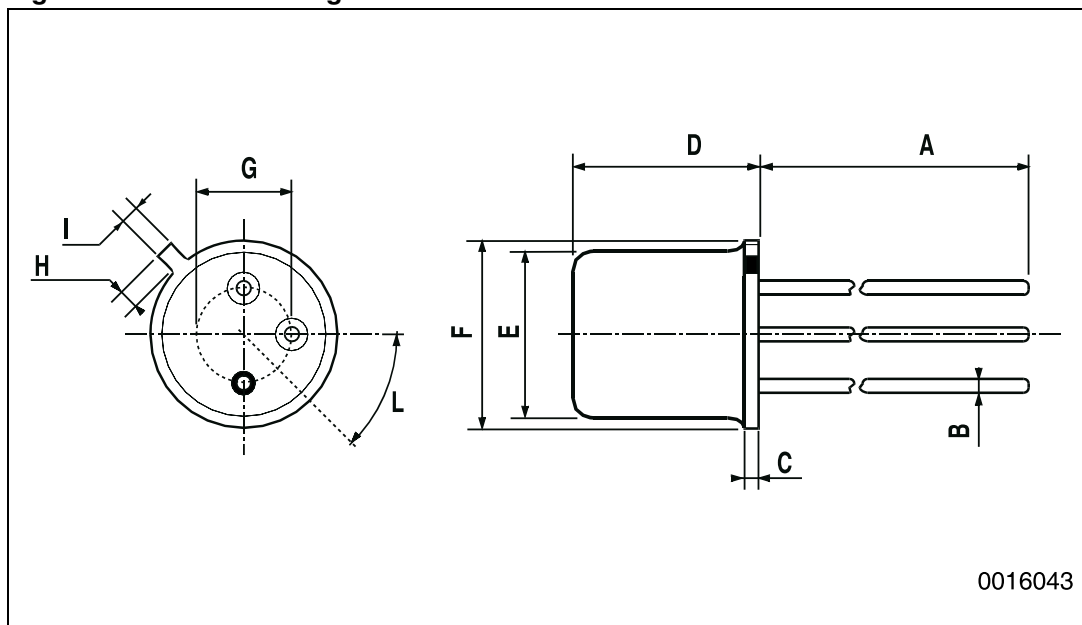


Table 8. TO-18 mechanical data

Dim.	mm.		
	Min.	Typ.	Max.
A		12.7	
B			0.49
D			5.3
E			4.9
F			5.8
G	2.54		
H			1.2
I			1.16
L	45°		

Figure 9. TO-18 drawings



4 Order codes

Table 9. Order codes

Order codes	ESCC Part number	Rad level	Packages	Lead Finish	Marking	EPPL	Packing
2N37000UB1	-		LCC-3UB	Gold	2N37000UB1	-	Waffle pack
2N37000UBSW	5201/004/07	100 krad	LCC-3UB	Solder Dip	520100407	Y	Waffle pack
2N37000UB06	5201/004/06		LCC-3UB	Gold	520100406	-	Waffle pack
2N37000UB07	5201/004/07		LCC-3UB	Solder Dip	520100407	-	Waffle pack
SOC37000	-		LCC-3	Gold	SOC3700	-	Waffle pack
SOC3700SW	5201/004/05	100 krad	LCC-3	Solder Dip	520100405	Y	Waffle pack
SOC3700HRB	5201/004/04 or 05		LCC-3	Gold or Solder Dip ⁽¹⁾	520100404 or 05	Y	Waffle pack
2N3700T1	-		TO-18	Gold	2N3700T1	-	Strip pack
2N3700HR	5201/004/01 or 02		TO-18	Gold or Solder Dip ⁽¹⁾	520100401 or 02	-	Strip pack

1. Depending ESCC part number mentioned on the purchase order

Contact ST sales office for information about the specific conditions for:

- Products in die form
- Tape and reel packing

5 Revision history

Table 10. Document revision history

Date	Revision	Changes
10-Jan-2008	1	Initial release
07-Jan-2010	2	Modified Table 1 on page 1
26-Jul-2010	3	Modified Table 1 on page 1 , added Table 9 on page 10
30-Nov-2011	4	<ul style="list-style-type: none">– Modified: Table 5 on page 3– Added: Section 2.1: Electrical characteristics (curves)– Minor text change in the document title on the coverpage

Please Read Carefully:

Information in this document is provided solely in connection with ST products. STMicroelectronics NV and its subsidiaries ("ST") reserve the right to make changes, corrections, modifications or improvements, to this document, and the products and services described herein at any time, without notice.

All ST products are sold pursuant to ST's terms and conditions of sale.

Purchasers are solely responsible for the choice, selection and use of the ST products and services described herein, and ST assumes no liability whatsoever relating to the choice, selection or use of the ST products and services described herein.

No license, express or implied, by estoppel or otherwise, to any intellectual property rights is granted under this document. If any part of this document refers to any third party products or services it shall not be deemed a license grant by ST for the use of such third party products or services, or any intellectual property contained therein or considered as a warranty covering the use in any manner whatsoever of such third party products or services or any intellectual property contained therein.

UNLESS OTHERWISE SET FORTH IN ST'S TERMS AND CONDITIONS OF SALE ST DISCLAIMS ANY EXPRESS OR IMPLIED WARRANTY WITH RESPECT TO THE USE AND/OR SALE OF ST PRODUCTS INCLUDING WITHOUT LIMITATION IMPLIED WARRANTIES OF MERCHANTABILITY, FITNESS FOR A PARTICULAR PURPOSE (AND THEIR EQUIVALENTS UNDER THE LAWS OF ANY JURISDICTION), OR INFRINGEMENT OF ANY PATENT, COPYRIGHT OR OTHER INTELLECTUAL PROPERTY RIGHT.

UNLESS EXPRESSLY APPROVED IN WRITING BY TWO AUTHORIZED ST REPRESENTATIVES, ST PRODUCTS ARE NOT RECOMMENDED, AUTHORIZED OR WARRANTED FOR USE IN MILITARY, AIR CRAFT, SPACE, LIFE SAVING, OR LIFE SUSTAINING APPLICATIONS, NOR IN PRODUCTS OR SYSTEMS WHERE FAILURE OR MALFUNCTION MAY RESULT IN PERSONAL INJURY, DEATH, OR SEVERE PROPERTY OR ENVIRONMENTAL DAMAGE. ST PRODUCTS WHICH ARE NOT SPECIFIED AS "AUTOMOTIVE GRADE" MAY ONLY BE USED IN AUTOMOTIVE APPLICATIONS AT USER'S OWN RISK.

Resale of ST products with provisions different from the statements and/or technical features set forth in this document shall immediately void any warranty granted by ST for the ST product or service described herein and shall not create or extend in any manner whatsoever, any liability of ST.

ST and the ST logo are trademarks or registered trademarks of ST in various countries.

Information in this document supersedes and replaces all information previously supplied.

The ST logo is a registered trademark of STMicroelectronics. All other names are the property of their respective owners.

© 2011 STMicroelectronics - All rights reserved

STMicroelectronics group of companies

Australia - Belgium - Brazil - Canada - China - Czech Republic - Finland - France - Germany - Hong Kong - India - Israel - Italy - Japan - Malaysia - Malta - Morocco - Philippines - Singapore - Spain - Sweden - Switzerland - United Kingdom - United States of America

www.st.com