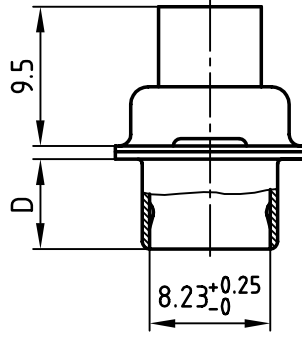
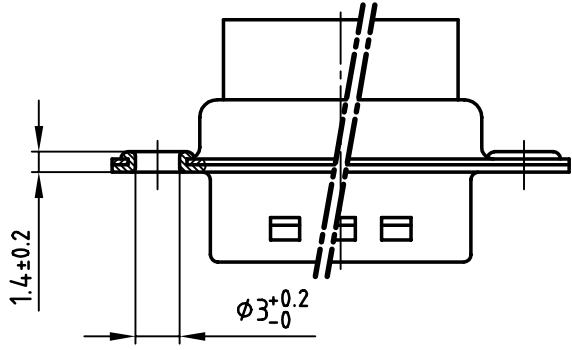
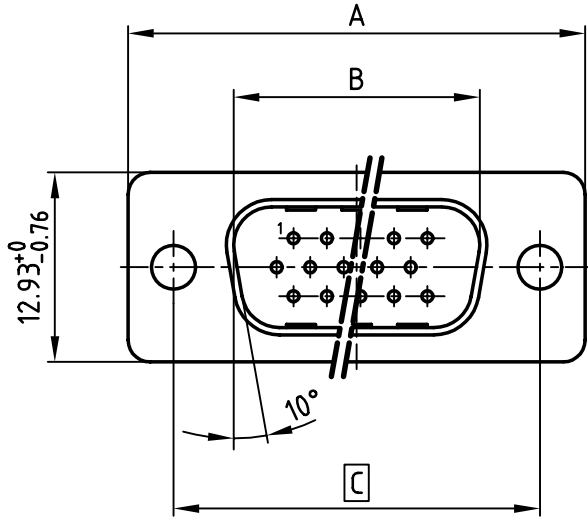


used for: D-SUB HD



POS.	A ^{-0.76}	B ^{+0.25}	C	D ^{-0.3}	Part-NO.
15	31.19	16.79	25.00 ^{+0.12} _{-0.13}	6.12	
26	39.52	25.12	33.30 ^{+0.15} _{-0.1}	6.12	
44	53.42	38.84	47.04 ±0.13	5.99	303A544000X
62	69.70	55.30	63.50 ±0.13	5.99	

NOTES:
 1. METALSHELLS: STEEL; min. 320µ" TIN
 2. INSULATORS: PBT GF UL 94 V-0, BLACK
 3. = CRITICAL DIMENSION: SPC

THIS DRAWING MAY NOT BE COPIED OR REPRODUCED IN ANY WAY, AND MAY NOT BE PASSED ON TO A THIRD PARTY WITHOUT WRITTEN PERMISSION.
 OWNERSHIP AND COPYRIGHT OF CONEC GmbH
 DO NOT ALTER CAD DRAWING BY HAND

CONEC CORPORATION BRAMPTON, ONTARIO			tolerance		
2001	date	name	title: <h3 style="text-align: center;">D-SUB HD MALE</h3> CRIMP-VERSION 15-62pos.		
drawn	16.11.	Parei			
appd.	16.11.	Resonnek			
norm					
d-old			dwg no: AutoCAD 2000		
rev.	description	date	part no: SEE TABLE		



scale: 2:1 material: SEE NOTES	
title: <h3 style="text-align: center;">D-SUB HD MALE</h3> CRIMP-VERSION 15-62pos.	
dwg no: AutoCAD 2000	DIN-A 4 sh: 1/1
part no: SEE TABLE	