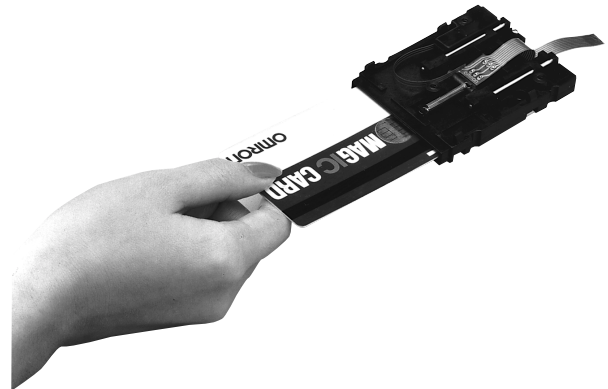


Economical, Manual Insert IC Card Connector

- Slim profile for compact design
- ISO 7816 chip location
- Housing compatible with Omron's SBR type for easy upgrade to IC cards
- Wide operating temperature range



Ordering Information

Magnetic Tracks Supported (R, R/W)					IC Contact	Interface	Cover	Cable	Color	Part Number
1	2	3	Center	JIS II						
—	—	—	—	—	ISO 7816	Contact	No	FPC	Black	3S4YR-SCR0J
—	—	—	—	—	ISO 7816	Contact	No	FPC	Black	3S4YR-SCR0J-002

Note: Consult the IC Card Basics section of this catalog for IC contact descriptions.

■ TYPICAL APPLICATIONS

- ID Control
- Telecommunications
- Data Capturing
- Access Control
- Vending Machines
- Pre-Paid Systems
- Time and Attendance Control
- Electronic Purse Systems

Specifications

Part number		3S4YR-SCR
Recommended card type	IC Card	ISO 7816
Contact resistance		500 mΩ max. between contact springs; 1 Ω max. between two FPC terminal tips
Card inserting force		1 kg max.
Card extracting force		Approx. 100 g to 500 g
Card feeding speed		100 cm/sec (39 in/sec) max.
Service life		300,000 passes min.
Load voltage	Card set switch	30 VDC max.
Current carrying capacity	Card set switch	1 mA to 10 mA
Mounting location		Indoors
Ambient temperature	Operation	-25° to 75°C (-13° to 167°F)
	Storage	-40° to 85°C (-40° to 185°F)
Ambient humidity	Operation	10% to 95% RH without condensation
	Storage	10% to 95% RH
Vibration		30 to 200 Hz (3 G) for 25 minutes in each of X, Y and Z directions
Shock		400 m/sec ² (40 G) in each of X, Y and Z directions
Dimensions		78L x 60W x 13.5H mm (3.07L x 2.36W x 0.53H in)
Weight		Approx. 40 g (1.42 oz)

Engineering Data

I/O INFORMATION

3S4YR-SCR FPC Interface Cable

Recommended Molex connectors part numbers 52103-1017, 52030-1010 and 52043-1010.

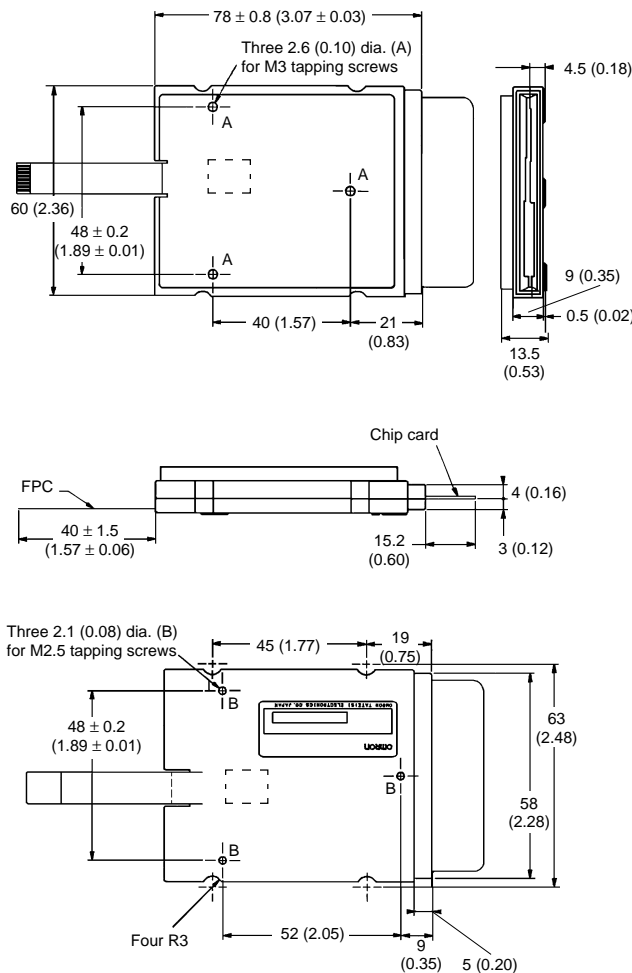
Pin #	Signal	Input/Output	Description
1	SWC	Input	Card detection signal
2	SWA	Output	Card detection signal
3	V _{cc} (C1)	◆	Circuit supply voltage
4	GND (C5)	◆	Zero voltage
5	RST (C2)	◆	Reset signal
6	VPP (C6)	◆	Programming voltage
7	CLK (C3)	◆	Clock signal
8	I/O (C7)	◆	Data input/output
9	RFU	◆	Reserved for future use
10	RFU	◆	Reserved for future use

◆ = Direct IC Contact

Dimensions

Unit: mm (inch)

3S4YR-SCR



Note: Unless otherwise noted, tolerance is ± 0.3 mm.

NOTE: DIMENSIONS ARE SHOWN IN MILLIMETERS. To convert millimeters to inches divide by 25.4.



OMRON ELECTRONICS, INC.
One East Commerce Drive
Schaumburg, IL 60173
1-800-55-OMRON

OMRON CANADA, INC.
885 Milner Avenue
Scarborough, Ontario M1B 5V8
416-286-6465