

Audio Connector, Socket, 2.5 mm, 3-pole, solder terminals for PCB, shielded



Description

- PCB Mounting:
Drop-in type, from rear-side
- Audio entrances and exits
- Data and Signal transfer
- Audio Plug: 3-pole, shielded, straight

References

Alternative: Housing insulated

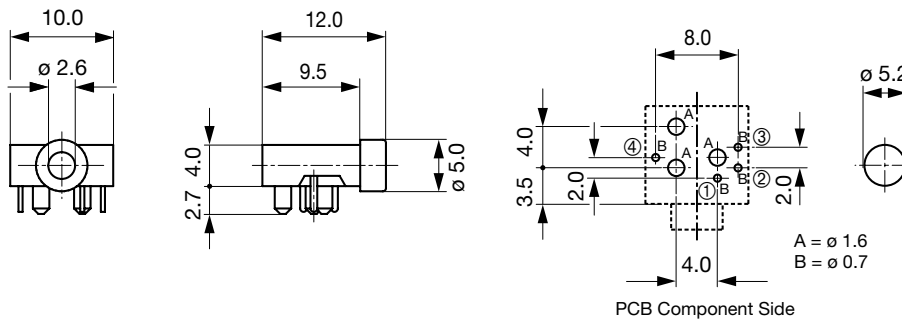
Weblinks

[pdf-datasheet](#), [html-datasheet](#), [General Product Information](#), [RoHS](#), [CHINA-RoHS](#), [REACH](#), [Mating Connectors](#), [e-Shop](#), [SCHURTER-Stock-Check](#), [Distributor-Stock-Check](#)

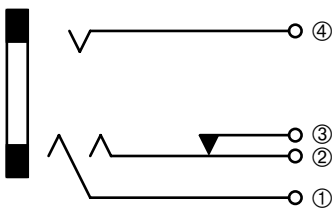
Technical Data

| | | | |
|-----------------------|--------------------|---------------------------|-----------------------------|
| Diameter | 2.5 mm | Allowable Operation Temp. | -20 °C to 70 °C |
| Number of Poles | 3-pole | Terminal | PCB terminals silver plated |
| Ratings DC | 0.5 A / 30 VDC | Mounting | Drop-in type |
| Ratings AC | 0.5 A / 30 VAC | Housing | screened |
| Dielectric Strength | 500 VDC | Style | straight |
| Insulation Resistance | > 100 MΩ @ 500 VDC | Lifetime | 5000 Insertions |

Dimensions



Diagrams



All Variants

| Product group | Diameter [mm] | Number of Poles | Terminal | Order Number |
|--------------------|---------------|-----------------|---------------|--------------|
| Audio Plug/Sockets | 2.5 | 3-pole | PCB terminals | 4831.2320 |

Availability for all products can be searched real-time: <http://www.schurter.com/en/Stock-Check/Stock-Check-SCHURTER>

Packaging unit 500 Pcs

Mating Inlets/Plugs

Category / Description

[Audio Plug/Sockets Overview complete](#)



| | |
|---|-----------|
| 4831, solder terminal, screened, 3-pole, Audio Plug/Sockets, 2.5 mm | 4831.1300 |
| 4831, solder terminal, insulated, 3-pole, Audio Plug/Sockets, 2.5 mm | 4831.1310 |
| 4831, solder terminal, insulated, 3-pole, Audio Plug/Sockets, 2.5 mm | 4831.1320 |
| Audio Plug/Sockets further types to 4831 Audio-Stecker, D=2,5mm | |