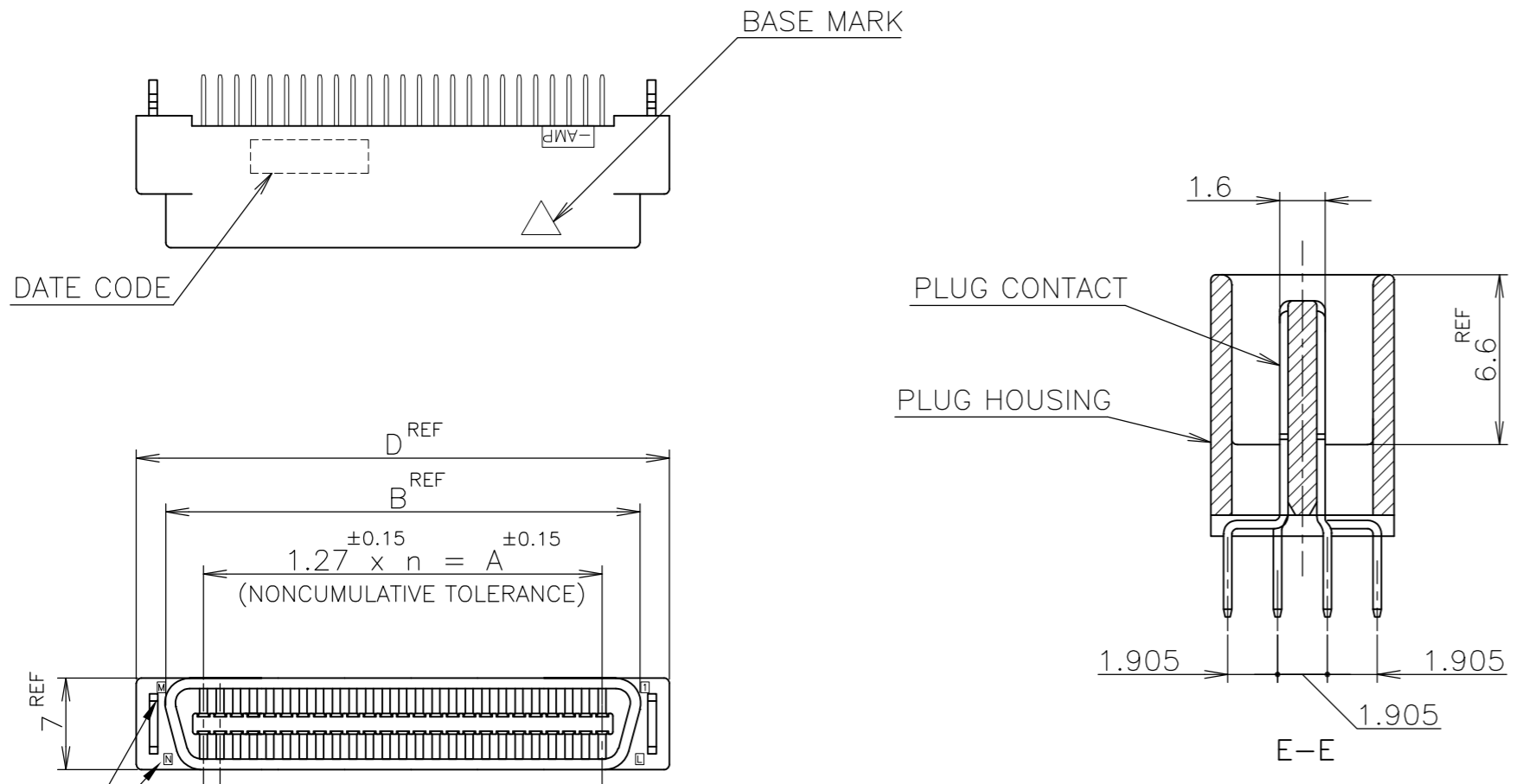
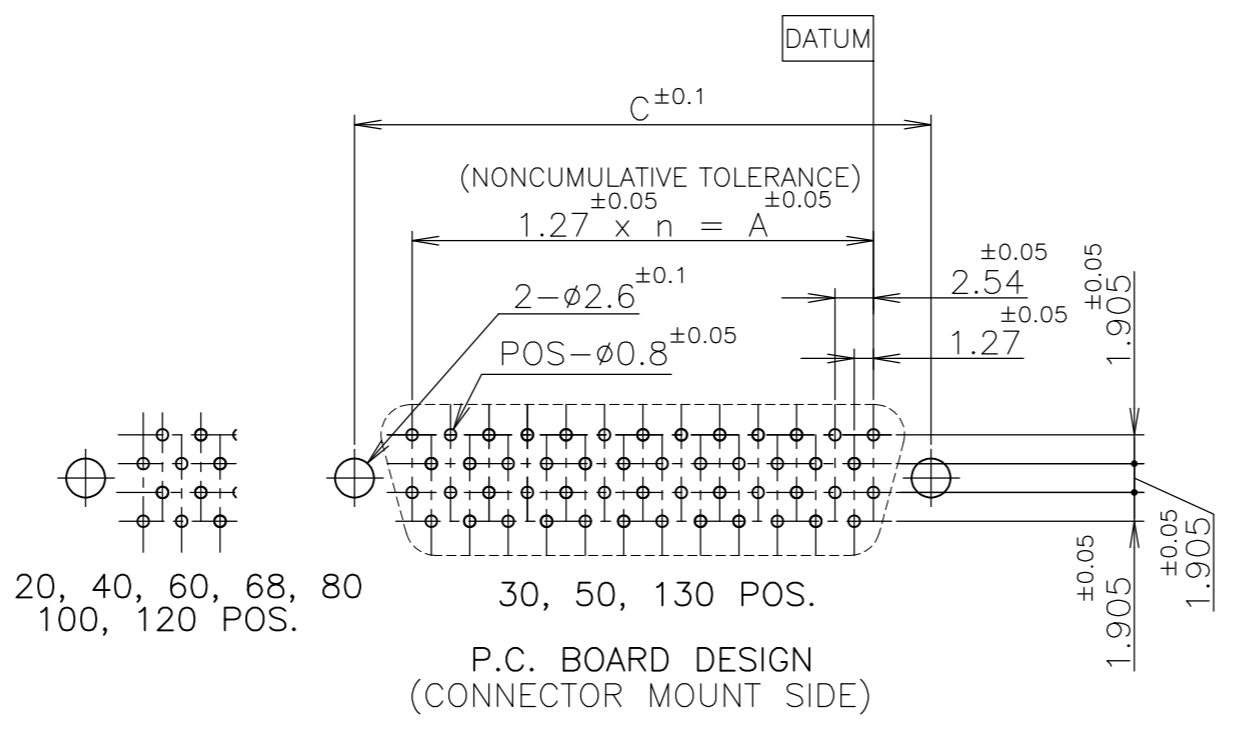
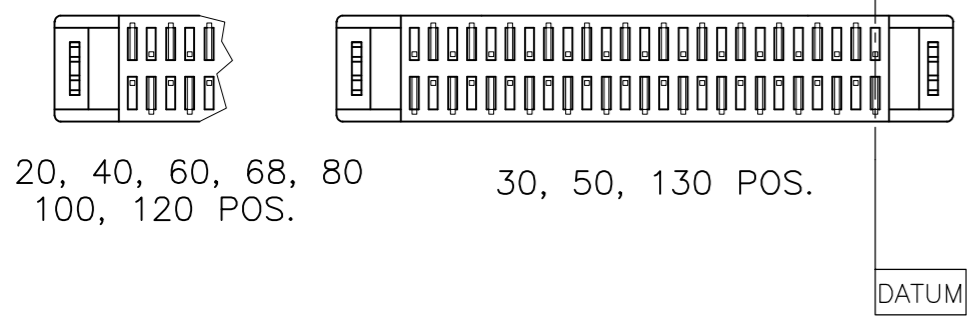
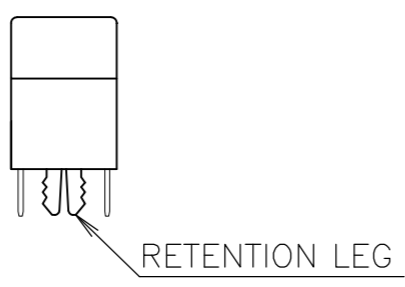
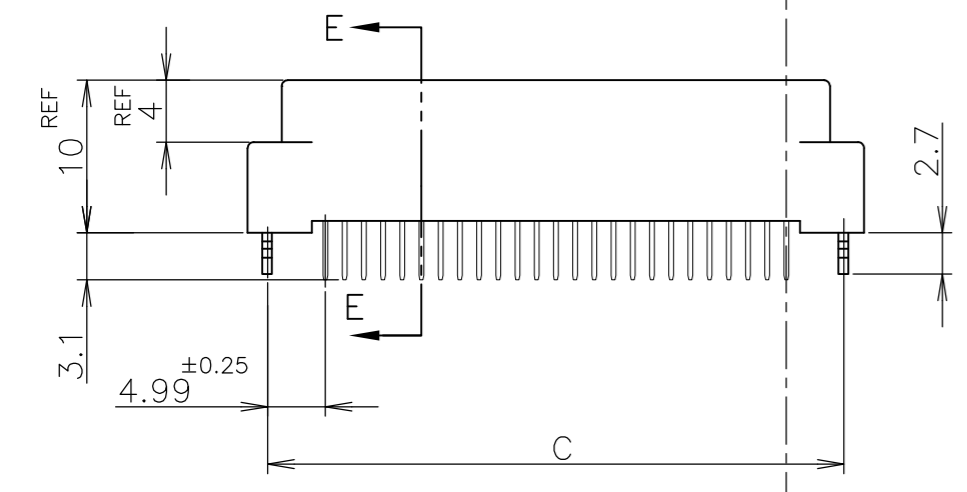


LOC	DIST	REVISIONS					
ES	00	P	LTR	DESCRIPTION	DATE	DWN	APVD
		A1		REVISED PER ECO-11-005033	26MAR11	RK	HMR



- 1 NUMBER "n" S COUNTED FROM DATUM (CIRCUIT NO.1 IS "AMP" MARK SIDE.)
- 2 MATERIAL: HOUSING; 66 NYLON (GF) UL 94V-0, BLACK.
CONTACT; PHOSPHOR BRONZE.
RETENTION LEG; BRASS.
- 3 FINISH: CONTACT; Au AT CONTACT AREA (SEE TABLE), TIN AT TINE OVER Ni.
RETENTION LEG; TIN UNDER Ni.

CIRCUIT NO.
 L; (POS/2)+1
 M; POS/2
 N; POS



LEAD FREE

POS.	n	A	B	C	D		
6-	-2	130	64	81.28	89.62		
6-	-1	120	59	74.93	83.27		
6-	-0	100	49	62.23	70.57		
5-	-9	80	39	49.53	57.87		
5-	-8	68	33	41.91	50.25		
5-	-7	60	29	36.83	45.17		
5-	-6	50	24	30.48	38.82		
5-	-5	40	19	24.13	32.47		
5-	-3	30	14	17.78	26.12		
5-	-1	0.00076	20	9	11.43		
4-	-2	130	64	81.28	89.62		
4-	-1	120	59	74.93	83.27		
4-	-0	100	49	62.23	70.57		
3-	-9	80	39	49.53	57.87		
3-	-8	68	33	41.91	50.25		
3-	-7	60	29	36.83	45.17		
3-	-6	50	24	30.48	38.82		
3-	-5	40	19	24.13	32.47		
3-	-3	30	14	17.78	26.12		
3-	-1	0.0005	20	9	11.43		
1-	-2	130	64	81.28	89.62		
1-	-1	120	59	74.93	83.27		
1-	-0	100	49	62.23	70.57		
	-9	80	39	49.53	57.87		
	-8	68	33	41.91	50.25		
	-7	60	29	36.83	45.17		
	-6	50	24	30.48	38.82		
	-5	40	19	24.13	32.47		
	-3	30	14	17.78	26.12		
5175473-1	0.0002	20	9	11.43	19.77		
PART NO.	Au PLATE	POS.	n	A	B	C	D

GENERAL TOLERANCE

10 ≥ : ±0.2
 30 > 10: ±0.25
 100 ≥ > 30: ±0.3
 ANGLES: ±3°

THIS DRAWING IS A CONTROLLED DOCUMENT.

DWN Julyee Zhu 19AUG2004
 CHK Steven Yao 19AUG2004
 APVD Ikuo Enomoto 19AUG2004

TE Connectivity

AMP CHAMP .050 CONNECTOR (B-T-B)
 PLUG CONNECTOR
 (VERTICAL WITH RETENTION LEG)

108-60038

SIZE A2 CAGE CODE 00779 DRAWING NO. C=5175473

SCALE NTS SHEET 1 OF 1 REV A1