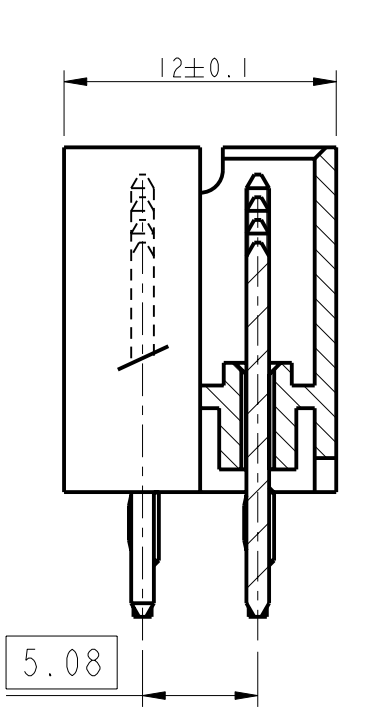


SECTION A-A  
SCALE 3:1



SECTION B-B

General Data  
 - In accordance with DGN08939-J and DIN 41612  
 - Ends: - Pressfit for 1.37/1.54mm holes in PCB with thickness 2.4-3.2mm  
 - straight pins for 1.6 to 1.8mm holes in PCB  
 - Special breaking contact implantation refer drawing.

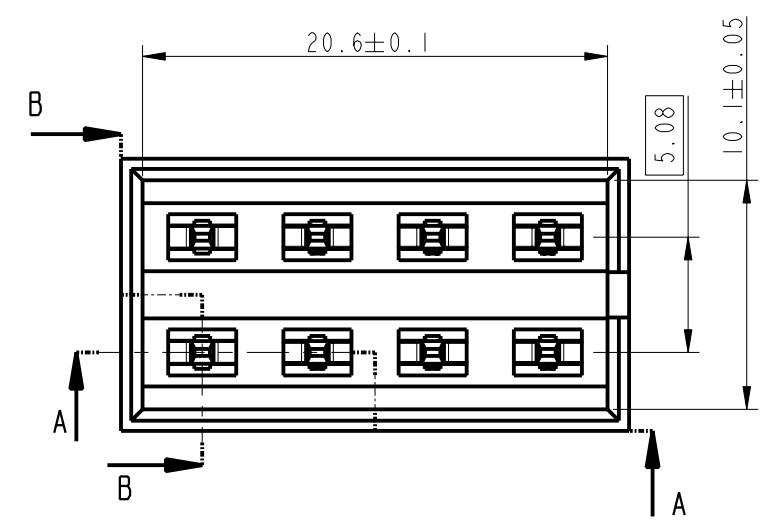
Technical Data:  
 Electrical  
 1. Initial contact resistance <10mΩ  
 2. Insulation resistance after test >10<sup>3</sup>MΩ  
 3. Withstanding voltage: >1000Vrms mini  
     measured between 1 contact and all others  
 4. Operating Voltage: 250Vac  
 5. Operating current: 15A at 20°C

Mechanical  
 1. Insertion force (each contact) <4N  
 2. Withdrawal force (each contact) >0.625N  
 3. Endurance Class1 >500cycles  
     Class2 >400cycles  
 4. Pressfit Insertion force (each contact) <250N  
 5. Pressfit withdrawal force (each contact) >45N

Material  
 Body: Fibreglass reinforced thermoplastic UL94 V0  
 Contacts: Phospher bronze(EKO)-Brass(Y3)  
 Plating: Gold over Nickel on working area

NOTE RoHS INFORMATIONS

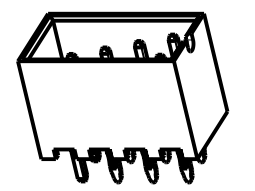
- The "LF" products meet European Union Directives and other country regulations as described in GS-22-008
- The housing will withstand exposure to 260°C peak temperature for 3.5 seconds in a wave solder application with a 1.6 mm minimum thick circuit board. See application notes/procedures if they are available.
- Packaging spec: see GS-14-920



EUROPEAN PROJECTION

Codification commerciale. Modèles standard/ Catalogue numbers for ordering. Standard items : see drawing VJWI0748

Nb de contacts Nr of contacts	Equipement Arrangement	Cote 'L'(mm) 'L' Dimension(mm)	Protection zone contact Plating of contact area	Protection zone raccordement Plating of end area	Code du connecteur Connectors number
8		L=5.3 L=6.3 L=7.3 L=8.3 L=9.3	1 Norme HE 1202 DIN Class 2	3-LF Tin over Nickel (Lead Free Version)	501IE38Y3-3-LF
			2 Norme HE 1203 DIN Class 1	4-LF Nickelé (CIF standard) / Nickel (Standard Plating pressfit)	501IE38EK0.4-LF
Autres équipements remplacer- par code implantation(Nous consulter) Other arrangements:replace by implantation code (Consult us)			Remplacer: par code protection Replace: by plating code	Autres protections Nous consulter Other plating consult us	



SCALE 1:1

IND	DESIGNATION
E	P/N WITHOUT LF REMOVED

ltr	ecn no	dr	date
A	F03056	DLE	03.03.12
B	S05-0043	HLE	05-08-12
C	LS05-0117	MRA	10/01/06
D	LS06-0123	PCR	2006/08/08
E	LS07-0249	HLE	2007/10/08
-	-	-	-
-	-	-	-

www.fciconnect.com		surface - ✓ ISO 1302	tolerance std ISO 406 ISO 1101	projection 	mm Scale 3:1
TOLERANCES UNLESS OTHERWISE SPECIFIED					
Dr	D LEGRAND	03.03.12	ANGULAR	0.X ±0.3	size A3
Eng	F TISSERAND	03.03.12	LINEAR	0.XX ±0.1	
Chr	JF NOTTEAU	03.03.12	0° ±2°	0.XXX ±0.05	ECN LS07-0249
Appr	F TI	03.03.12	Product family	DIN	Spec ref
		POWER BASE		Rev. E	
501IE38EK0.4- VXXI4692		catalog no		VJWI1982	
CUSTOMER COPY				sheet 1 of 1	



Copyright FCI.