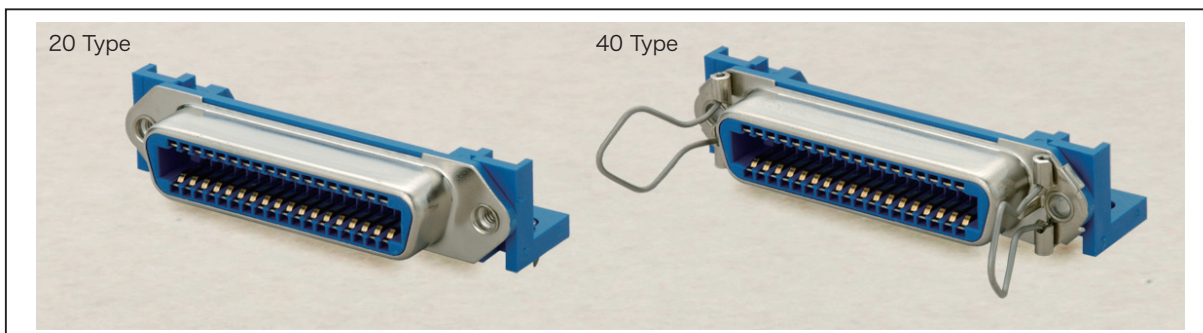


# Right Angle Solder Termination Connector

## 57LE Series

DDK Ltd.



### OUTLINE

- Metalized shell for EMI Shield
- Intermatable with each 57, 57FE, 57JE series plug connectors.
- UL applied (File No. E72124)

### SPECIFICATIONS

Rated Voltage	500V AC (r.m.s.)
Rated Current	3A / Contact
Dielectric Withstanding Voltage	1200V AC (r.m.s.) at 1 minute
Insulation Resistance	1000M $\Omega$ (min.) at 500V DC
Contact Resistance	35m $\Omega$ (max.)
Operating Temperature	-55°C~ 105°C



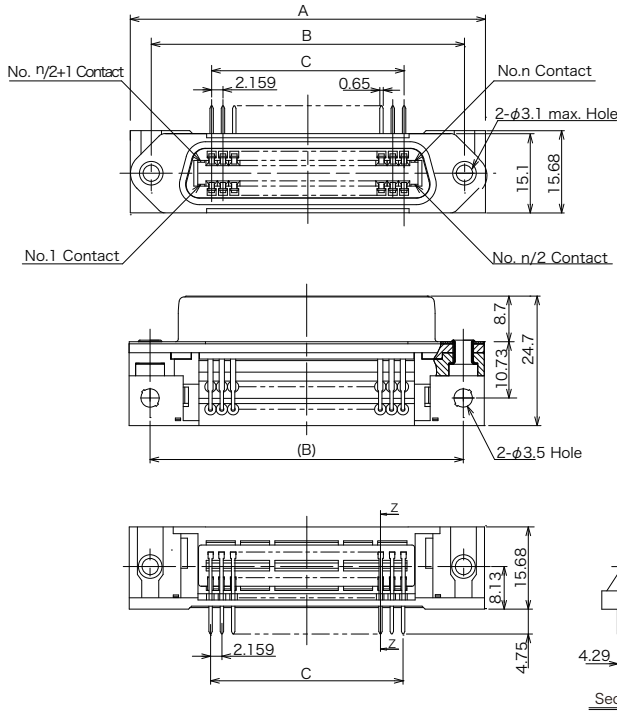
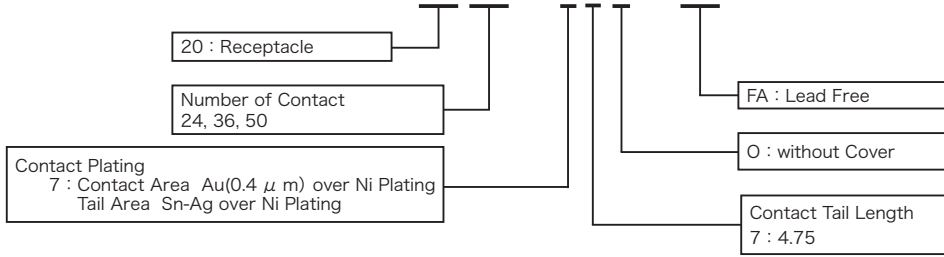
### MATERIAL/FINISH

ITEM	MATERIAL / FINISH
Insulator	PBT Resin(UL94V-0) / Blue
Shell	Steel or Brass / Ni Plating
Contact	Copper Alloy / Contact Area: Au over Ni Plating Tail Area: Sn-Ag Plating
Bail Lock	Stainless Steel

© Specifications and/or dimensions in this catalogue are subject to change without notice.  
Your catalogue checking the latest specifications with our drawings would be highly appreciated.

▶ 20 Type Receptacle

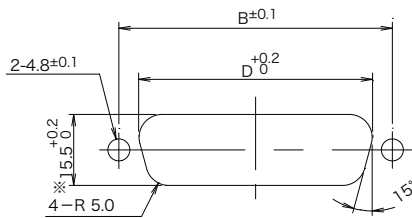
57LE-20500-7700-FA



Number of Contact	Part Number	A	B	C
24	57LE-20240-7700-FA	54.78	46.78	23.749
36	57LE-20360-7700-FA	67.74	59.74	36.703
50	57LE-20500-7700-FA	82.85	74.85	51.816

Panel Mounting Dimensions

● Rear Mounting



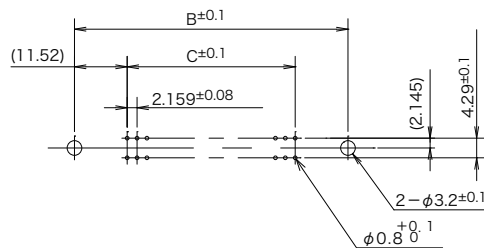
※ : When mating connector is 57FE-10 type, dimension "※" is  $16.2^{+0.2}_0$ .

Number of Contact	B	D
24	46.78	40.1
36	59.74	53.0
50	74.85	68.2

Panel Thickness : 1.6mm max.

Recommended PCB Mounting Dimensions

(PCB Thickness: t=1.6mm)

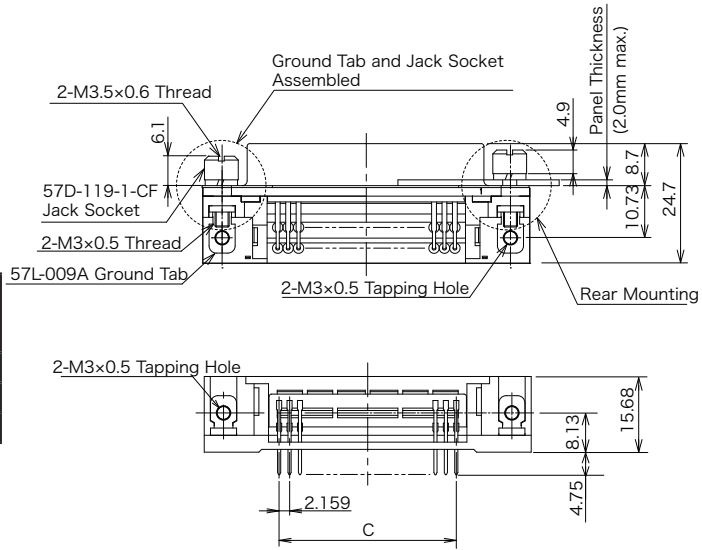
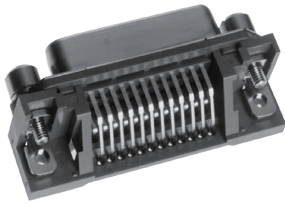
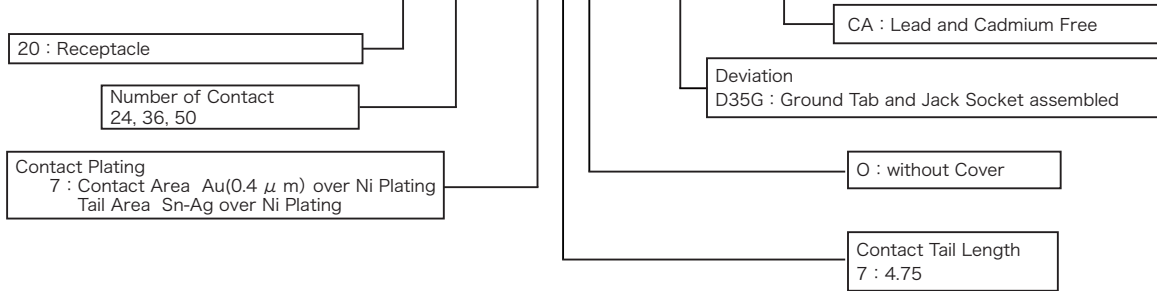


Number of Contact	B	C
24	46.78	23.749
36	59.74	36.703
50	74.85	51.816

© Specifications and/or dimensions in this catalogue are subject to change without notice.  
Your catalogue checking the latest specifications with our drawings would be highly appreciated.

▶ 20 Type Receptacle

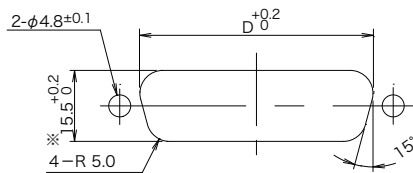
57LE-20500-7700D35G-CA



Number of Contact	Part Number	C
24	57LE-20240-7700D35G-CA	23.749
36	57LE-20360-7700D35G-CA	36.703
50	57LE-20500-7700D35G-CA	51.816

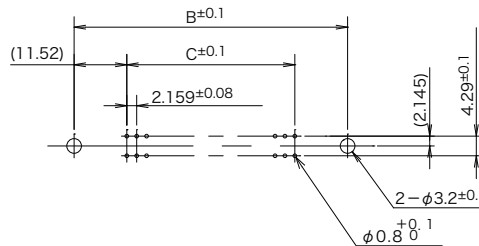
Panel Mounting Dimensions

● Rear Mounting



Recommended PCB Mounting Dimensions

(PCB Thickness: t=1.6mm)



※ : When mating connector is 57FE-10 type, dimension "※" is 16.2<sup>+0.2</sup><sub>0</sub>.

Number of Contact	B	D
14	36.00	29.3
24	46.78	40.1
36	59.74	53.0
50	74.85	68.2

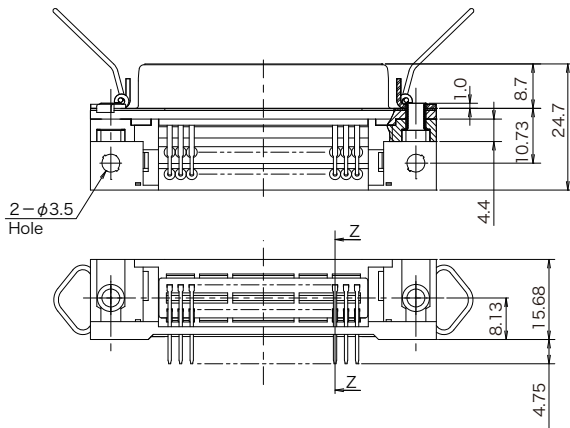
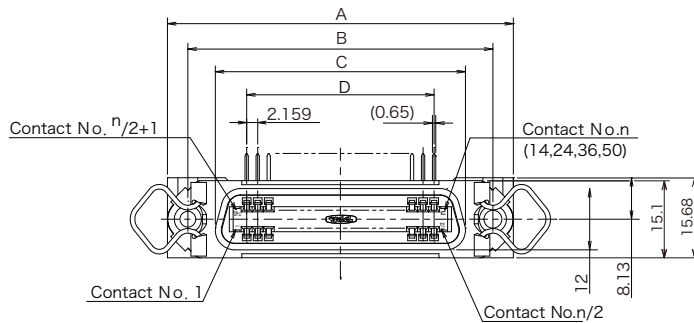
Number of Contact	B	C
14	36.00	12.954
24	46.78	23.749
36	59.74	36.703
50	74.85	51.816

Panel Thickness : 1.6mm max.

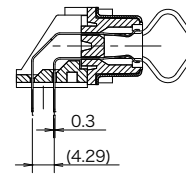
© Specifications and/or dimensions in this catalogue are subject to change without notice.  
Your catalogue checking the latest specifications with our drawings would be highly appreciated.

▶ 40 Type Receptacle

57LE-40360-7700-FA



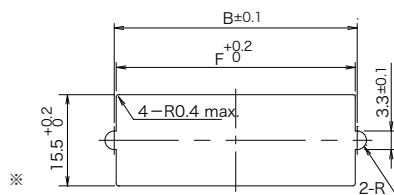
Number of Contact	A	B	C	D
14	44.00	36.00	25.36	12.954
24	54.78	46.78	36.23	23.749
36	67.74	59.74	49.05	36.703
50	82.85	74.85	64.22	51.816



Section Z-Z

Panel Mounting Dimensions

● Rear Mounting



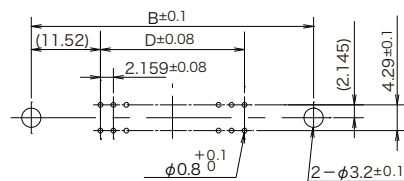
※ : When mating connector is 57FE-10 type, dimension "※" is 16.2<sup>+0.2</sup><sub>0</sub>.

Number of Contact	B	F
14	36.00	35.30
24	46.78	46.08
36	59.74	59.04
50	74.85	74.15

Panel Thickness : 1.6mm max.

Recommended PCB Mounting Dimensions

(PCB Thickness: t=1.6mm)

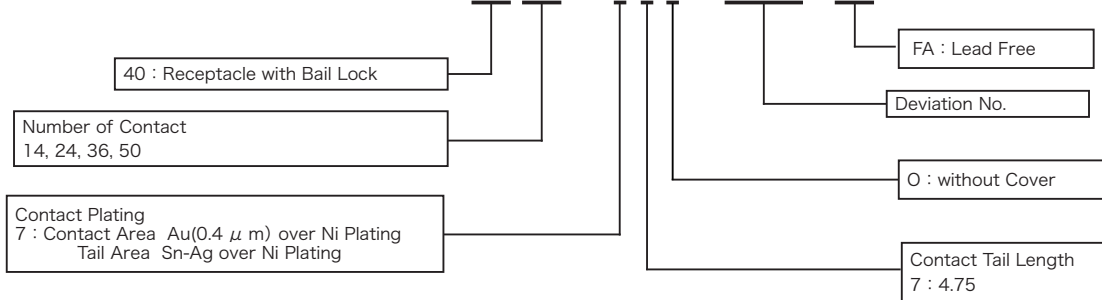


Number of Contact	B	D
14	36.00	12.954
24	46.78	23.749
36	59.74	36.703
50	74.85	51.816

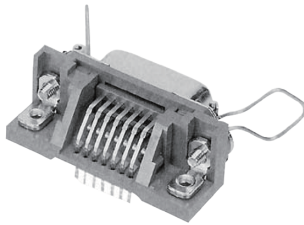
© Specifications and/or dimensions in this catalogue are subject to change without notice.  
Your catalogue checking the latest specifications with our drawings would be highly appreciated.

▶ 40 Type Receptacle Deviations

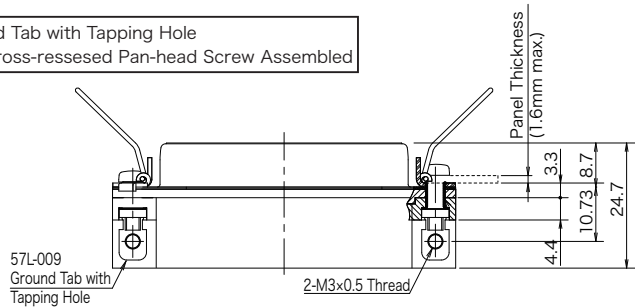
57LE-40360-7700(Dxx)-FA



57LE-40360-7700(D12)-FA

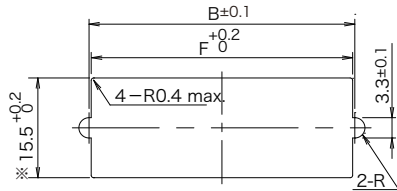


(D12) : Ground Tab with Tapping Hole and Cross-ressed Pan-head Screw Assembled



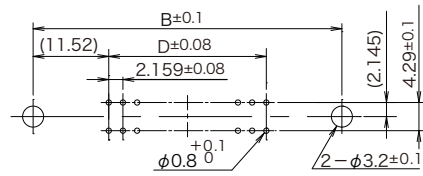
Panel Mounting Dimensions

● Rear Mounting



Recommended PCB Mounting Dimensions

(PCB Thickness: t=1.6mm)



※ : When mating connector is 57FE-10 type, dimension "※" is 16.2<sup>+0.2</sup><sub>0</sub>.

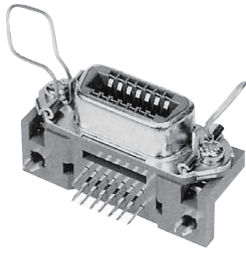
Number of Contact	B	F
14	36.00	35.30
24	46.78	46.08
36	59.74	59.04
50	74.85	74.15

Number of Contact	B	D
14	36.00	12.954
24	46.78	23.749
36	59.74	36.703
50	74.85	51.816

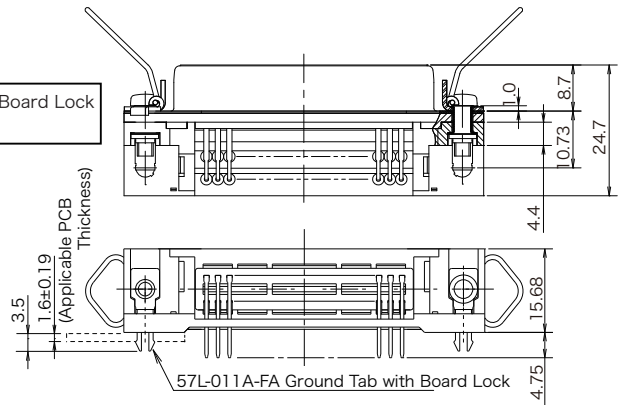
Panel Thickness : 1.6mm max.

▶ 40 Type Receptacle Deviations

57LE-40360-7700(D29)-FA

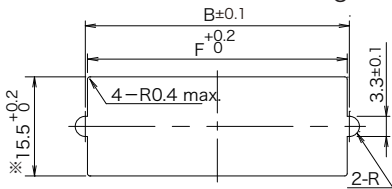


(D29) : Ground Tab with Board Lock Assembled



Panel Mounting Dimensions

● Rear Mounting



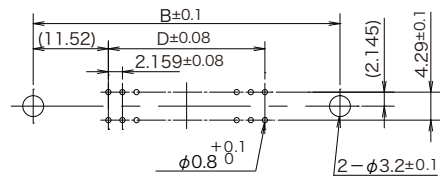
※ : When mating connector is 57FE-10 type, dimension "※" is 16.2<sup>+0.2</sup><sub>0</sub>.

Number of Contact	B	F
14	36.00	35.30
24	46.78	46.08
36	59.74	59.04
50	74.85	74.15

Panel Thickness : 1.6mm max.

Recommended PCB Mounting Dimensions

(PCB Thickness: t=1.6mm)



Number of Contact	B	D
14	36.00	12.954
24	46.78	23.749
36	59.74	36.703
50	74.85	51.816