

# OXYGEN ELECTRONICS

PN: 5MM-LED-Reflector  
MFG: Oxygen

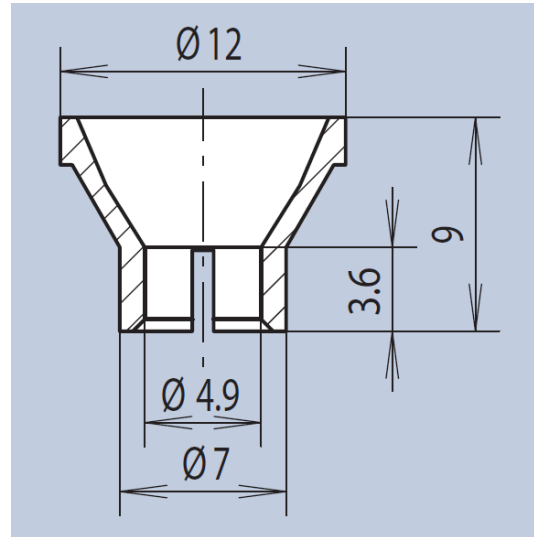
## Product Summary:

Reflector - /Luminous Caps Material: PC UL94  
Reflector Surface: Al-metalized

The reflectors are aluminum coated thus achieving a very good radiation characteristic. The deformation resistance of the reflectors lies at 160°C. The reflectors may be used with colored transparent or clear caps. When installed together with a lamp socket, the reflector can be pushed either onto the lighting element or onto the socket.



Product Image



Dimensions (mm)