



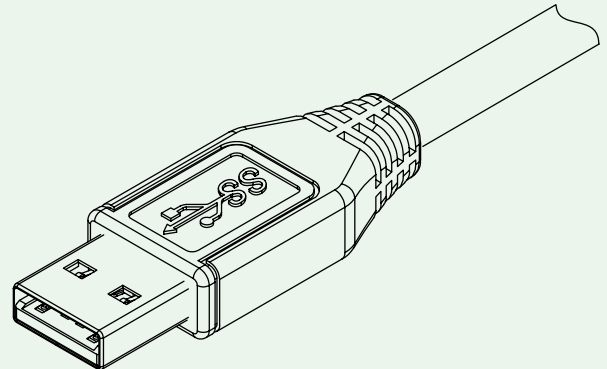
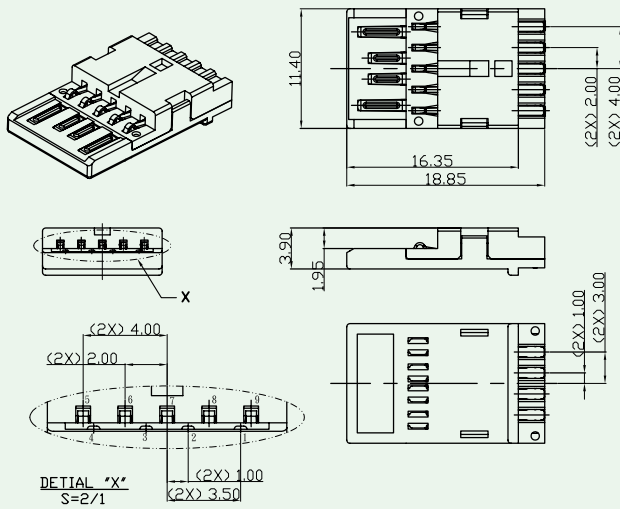
• USB Connectors	1-25
USB 3.0 Connectors	1-6
USB 2.0 Connectors	7-17
USB Adaptor	18
USB With RJ Jack	19-25
• High Definition Connector	26-27
• DisplayPort External Connector	28
• IDC Type Connector	29-38
• Stamping Part	39-50
• PCB Plug	53
• Pin Header	54-60
• Mobile Phone Connector	61
• RF Connector	62-74
• Microphone Transducer Connector	75
• Medical Sensor Connector	76-77
• Insert of TAE Jack	78
• European Socket	79-80
• OEM Part (Not Open) SFR Connector	81



USB 3.0 Cable Assembly (A-type Plug)

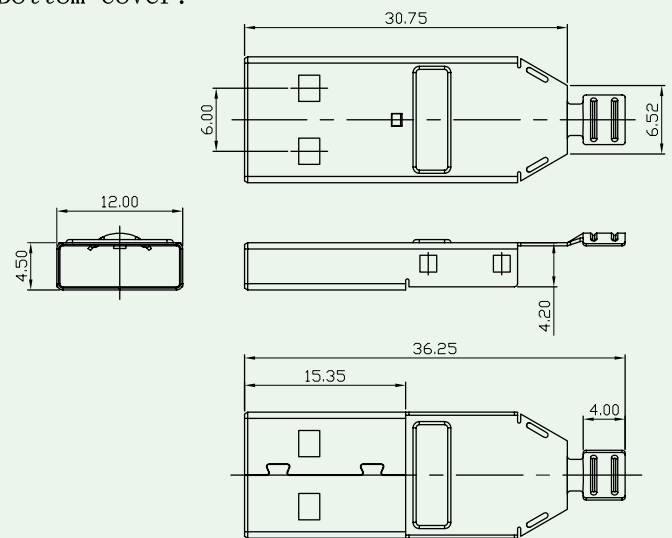
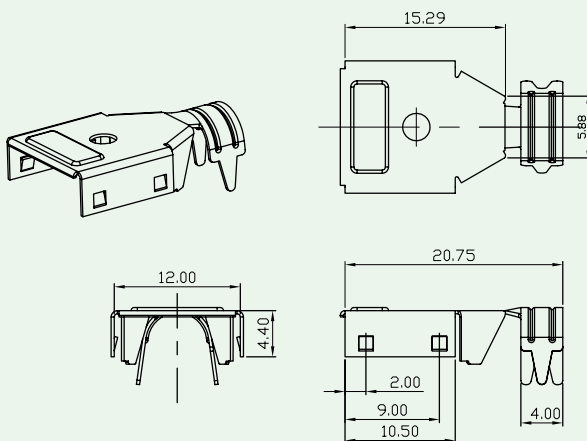
KINSUN

Connector:



Bottom Cover:

Top Cover:



Materials

- **Plastic Housing** : Engineering Thermoplastic.
Flammability Rating UL 94V-0.
- **Contacts** : Phosphor Bronze.
- **Plating** : Gold Plating Over Nickel In Contact Area.
Tin Plating Over Nickel In Solder Area.
- **Shield** : Brass Plating Nickel.



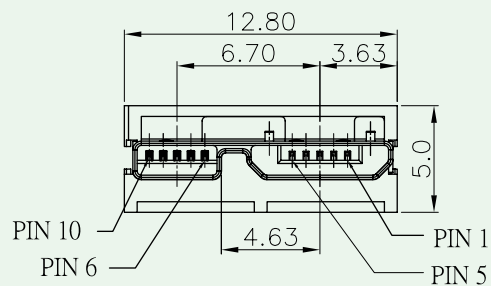
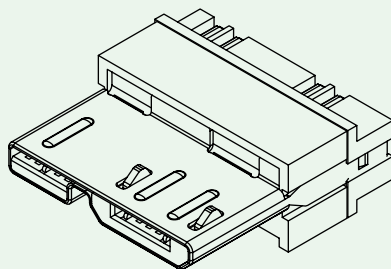
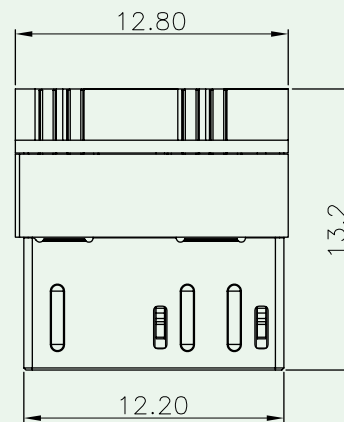
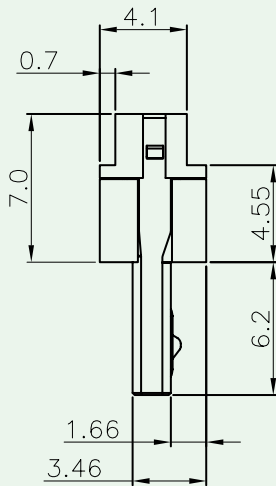
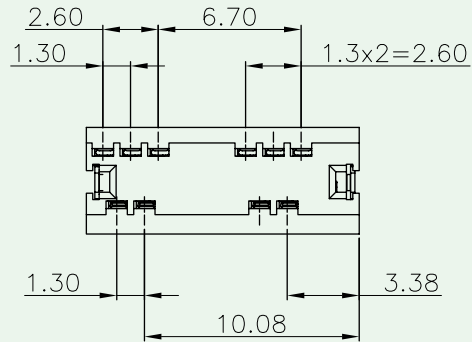
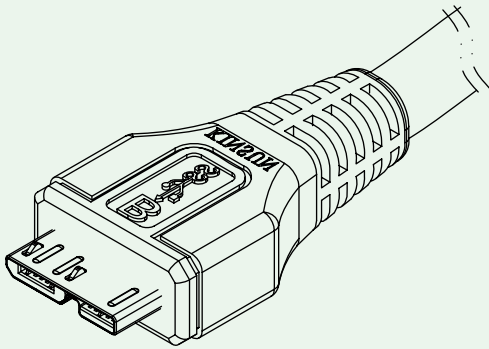
Ordering Information

6152 Series



USB 3.0 Micro-B Plug (Male solder type)

KINSUN



Materials

- **Plastic Housing** : Engineering Thermoplastic.
Flammability Rating UL 94V-0.
- **Contacts** : Phosphor Bronze.
- **Plating** : Gold Plating Over Nickel In Contact Area.
Tin Plating Over Nickel In Solder Area.
- **Shield** : Brass Plating Nickel.



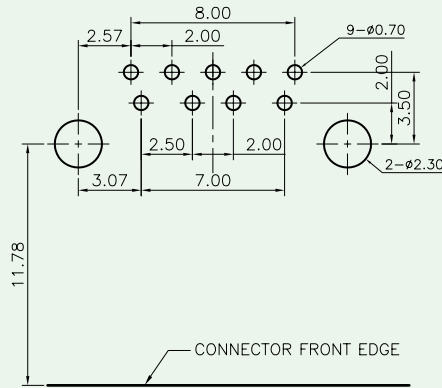
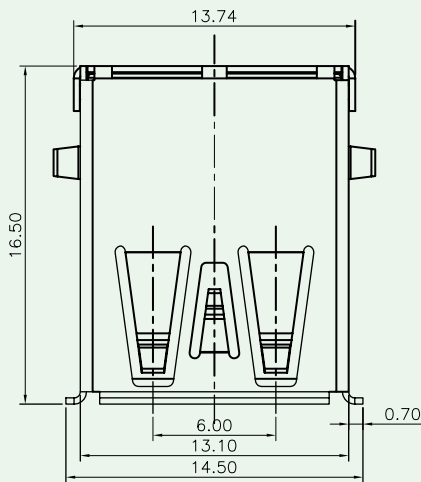
Ordering Information

6155-A Series

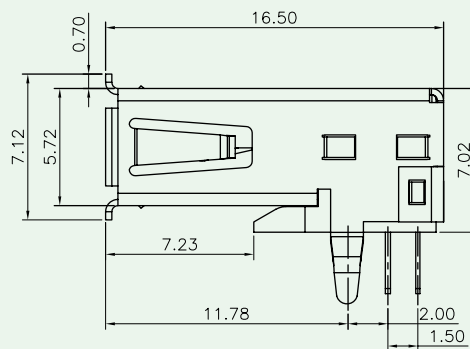
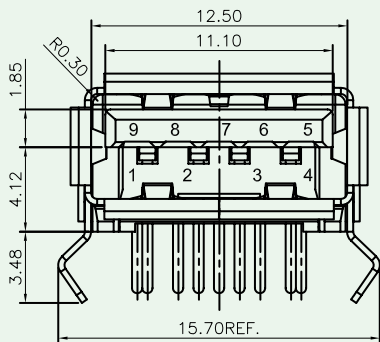
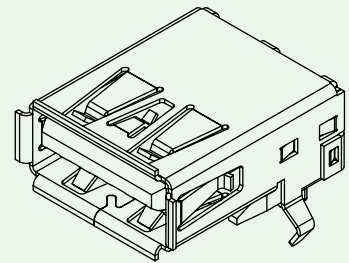


USB 3.0 Standard-A Receptacle (Side Entry Dip type)

KINSUN



PCB LAYOUT/TOP VIEW



Electrical Characteristics :

Voltage Rating :	30V AC
Current Rating :	1.8 AMP
Insulation Resistance :	100M Ω Min.
Contact Resistance :	30m Ω Max.
Dielectric Withstanding Voltage :	100V AC
Temperature Range :	-55°C to +85°C

- **Plastic Housing** : Engineering Thermoplastic.
Flammability Rating UL 94V-0.
- **Contacts** : Phosphor Bronze.
- **Plating** : Gold Plating Over Nickel In Contact.
Tin Plating Over Nickel In Solder Area.
- **Shield** : Brass Plating Nickel.



Ordering Information

6105 - A Series

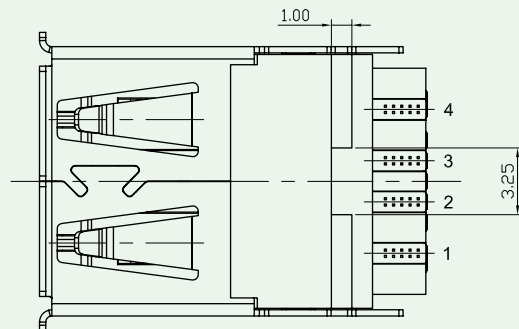
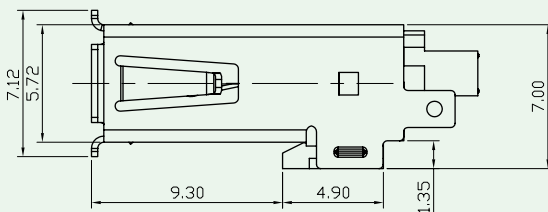
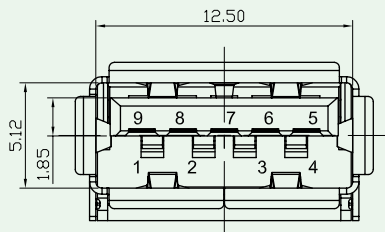
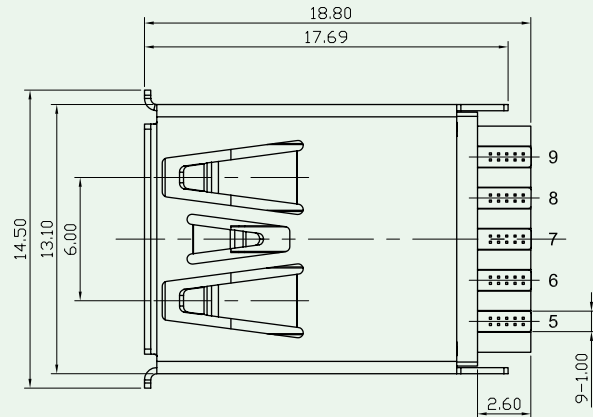
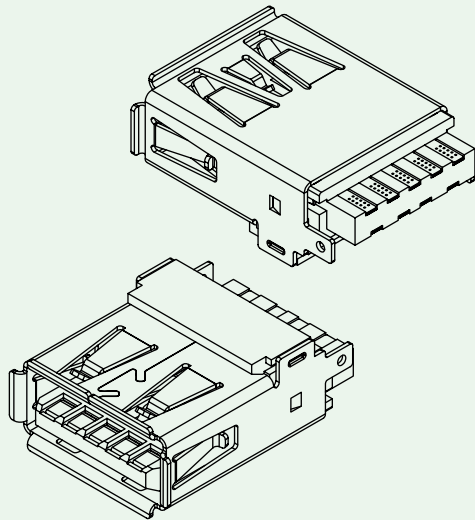
Series No.

A : Standard



USB 3.0 Standard-A Receptacle (Female Solder Type)

KINSUN



Electrical Characteristics :

Voltage Rating :	30V AC
Current Rating :	1.8 AMP
Insulation Resistance :	100M Ω Min.
Contact Resistance :	30m Ω Max.
Dielectric Withstanding Voltage :	100V AC
Temperature Range :	-55 $^{\circ}$ C to +85 $^{\circ}$ C

Materials

- **Plastic Housing** : Engineering Thermoplastic.
Flammability Rating UL 94V-0.
- **Contacts** : Phosphor Bronze.
- **Plating** : Gold Plating Over Nickel In Contact.
Tin Plating Over Nickel In Solder Area.
- **Shield** : Brass Plating Tin.

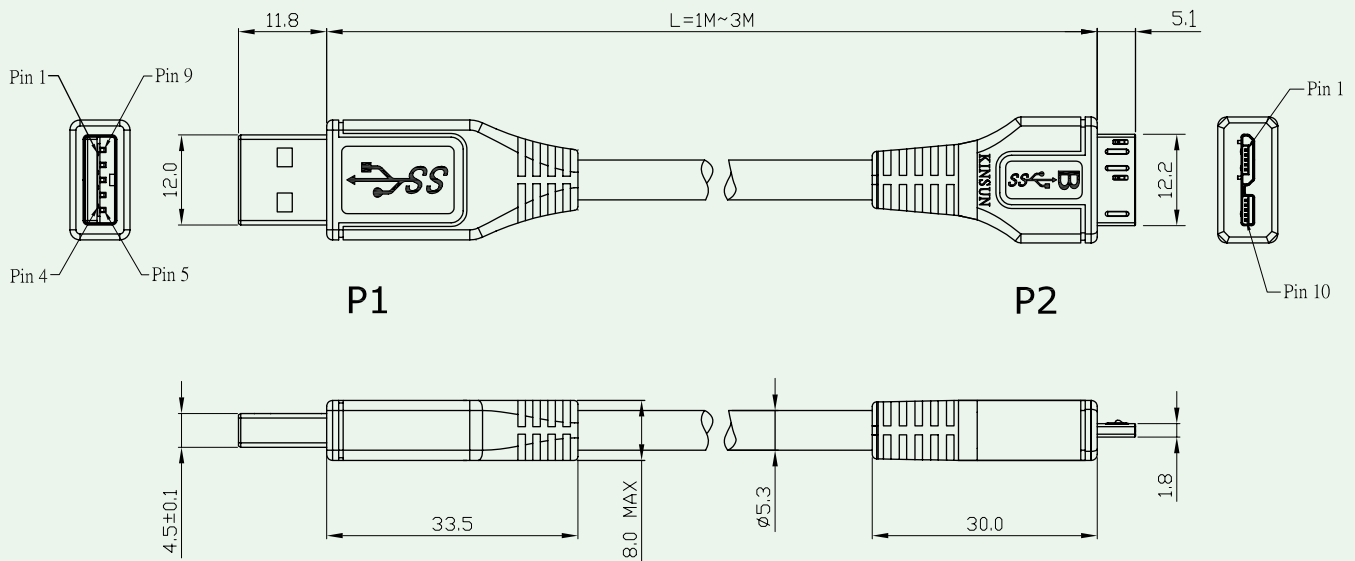


Ordering Information

6106 - A Series



USB 3.0 Cable Assembly (USB 3.0 AM to USB 3.0 Micro BM)



USB 3.0 AM to USB 3.0 Micro BM

MATERIALS & FINISH :
 OVER MOLD: 50P PVC,Pantone 300C.
 CLBLE: USB 3.0 30AWGx2P+30AWGx2P+24AWG OD=5.5MM,BLUE.

USB 3.0 Standard-A Plug(P1):
 Thermoplastic,UL 94V-0,Pantone 300C,
 Gold Plating 30u" Over Nickel In Contact Area.

USB 3.0 Micro-B Plug(P2):
 Thermoplastic,UL 94V-0,Black,
 GOLD PLATED G/F on top of 30u"min Ni-Pd.

MECHANICAL:
 DURABILITY: 1500 Mating Cycles(USB 3.0 AM).
 10000 Mating Cycles(USB 3.0 Micro BM).

Pin-Assignment		
P1		P2
1	RED	1
2	WHITE	2
3	GREEN	3
4	BLACK	5
5	BLUE	6
6	YELLOW	7
7		8
8	PURPLE	9
9	ORANGE	10
		4
Shell	AEB	Shell

Electrical Characteristics :

Voltage Rating :	30V AC
Current Rating :	1.8 AMP
Insulation Resistance :	100MΩ Min.
Contact Resistance :	30mΩ Max.
Dielectric Withstanding Voltage :	100V AC
Temperature Range :	-55℃ to +85℃

Materials

- **Plastic Housing** : Engineering Thermoplastic.
Flammability Rating UL 94V-0.
- **Contacts** : Phosphor Bronze.
- **Plating** : Gold Plating Over Nickel In Contact Area.
Tin Plating Over Nickel In Solder Area.
- **Shield** : Brass Plating Nickel.



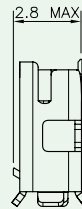
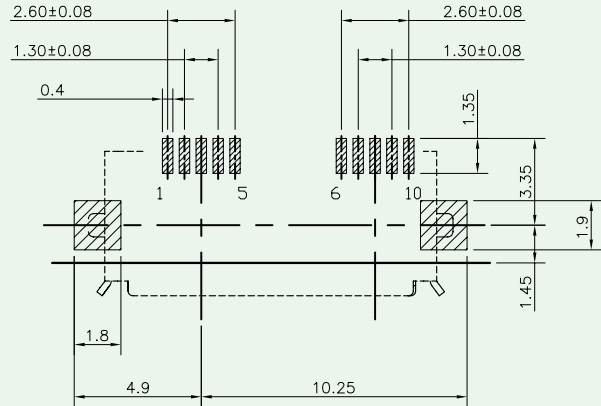
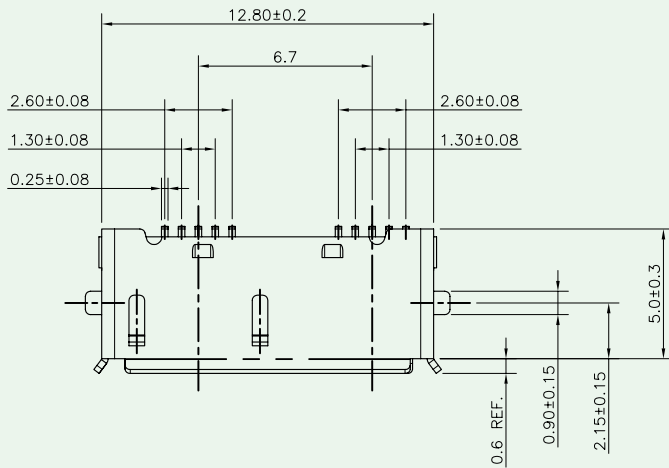
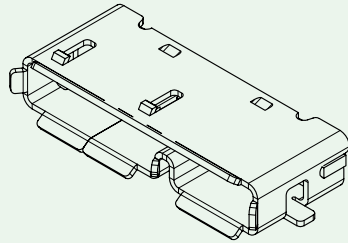
Ordering Information

6170 Series

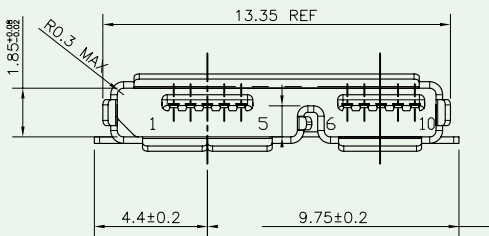


USB 3.0 Micro-AB Receptacle

KINSUN



PCB LAYOUT/TOP VIEW



Electrical Characteristics :

Voltage Rating :	30V AC
Current Rating :	1.8 AMP
Insulation Resistance :	100M Ω Min.
Contact Resistance :	30m Ω Max.
Dielectric Withstanding Voltage :	100V AC
Temperature Range :	-55 $^{\circ}$ C to +85 $^{\circ}$ C

Materials

- **Plastic Housing** : Engineering Thermoplastic.
Flammability Rating UL 94V-0.
- **Contacts** : Phosphor Bronze.
- **Plating** : Gold Plating Over Nickel In Contact Area.
Tin Plating Over Nickel In Solder Area.
- **Shield** : Brass Plating Tin. (Matte Sn)



Ordering Information

6146 - H Series

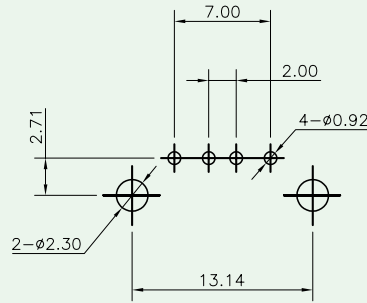
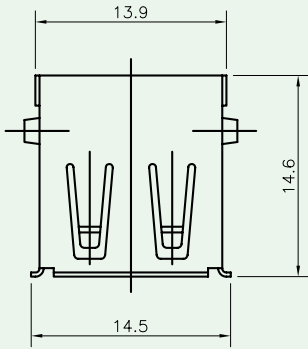
Series No.

H : Side Entry, SMT

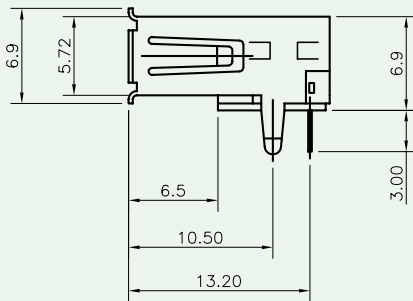
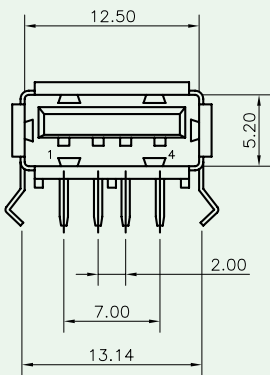
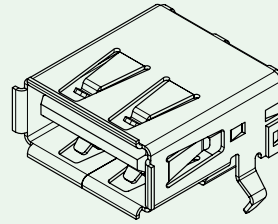
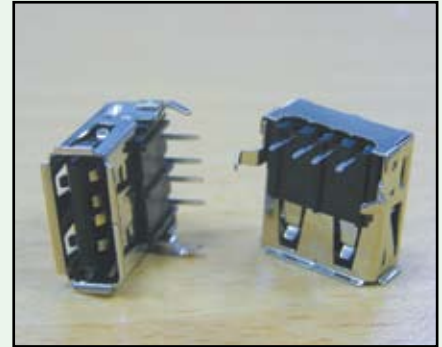


USB Connector A Type (Side Entry)

KINSUN



PCB LAYOUT/TOP VIEW



Voltage Rating : 30V AC
 Current Rating : 1 A
 Insulation Resistance : 1000 MΩ Min
 Contact Resistance : 30 mΩ Max
 Dielectric Withstanding Voltage : 500V AC
 Temperature Range : -20°C to +85°C

Materials

- **Plastic Housing** : Engineering Thermoplastic.
Flammability Rating UL 94V-0.
- **Contacts** : Phosphor Bronze.
- **Plating** : Gold Plating Over Nickel In Contact Area.
Tin Plating Over Nickel In Solder Area.
- **Shield** : Brass Plating Tin.



Ordering Information

6100 - B Series

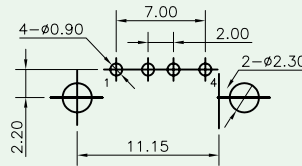
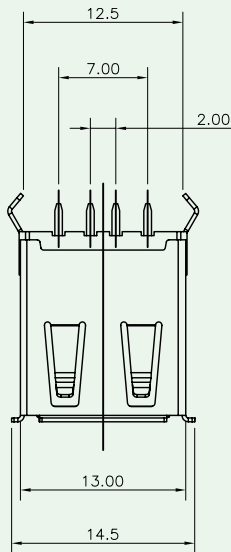
Series No.

B : Side Entry, TH



USB Connector A Type (Top Entry)

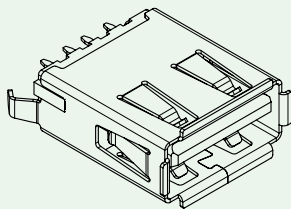
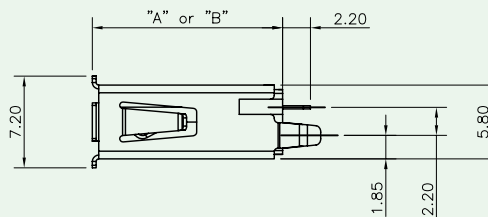
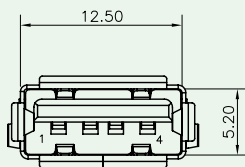
KINSUN



PCB LAYOUT/TOP VIEW



Dimensions	
A	B
14.95	14.35



Voltage Rating : 30V AC
 Current Rating : 1 A
 Insulation Resistance : 1000 MΩ Min
 Contact Resistance : 30 mΩ Max
 Dielectric Withstanding Voltage : 500V AC
 Temperature Range : -20°C to +85°C

Materials

- **Plastic Housing** : Engineering Thermoplastic.
Flammability Rating UL 94V-0.
- **Contacts** : Phosphor Bronze.
- **Plating** : Gold Plating Over Nickel In Contact Area.
Tin Plating Over Nickel In Solder Area.
- **Shield** : Brass Plating Tin.



Ordering Information

6100 - C Series

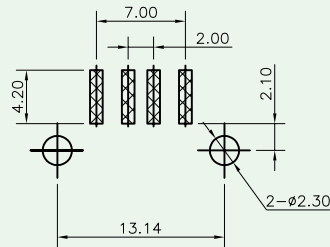
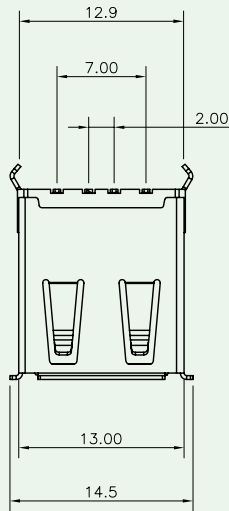
Series No.

C : Top Entry, TH



USB Connector A Type (Top Entry, SMT)

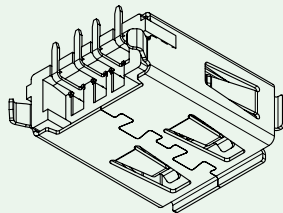
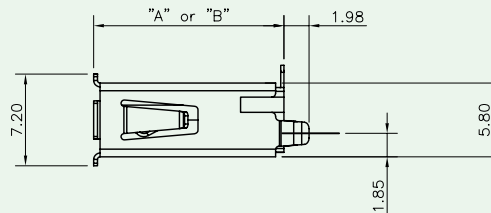
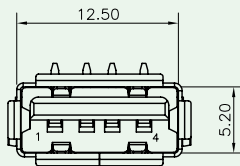
KINSUN



PCB LAYOUT/TOP VIEW



Dimensions	
A	B
14.95	14.35



Voltage Rating : 30V AC
 Current Rating : 1 A
 Insulation Resistance : 1000 MΩ Min
 Contact Resistance : 30 mΩ Max
 Dielectric Withstanding Voltage : 500V AC
 Temperature Range : -20°C to +85°C

Materials

- **Plastic Housing** : Engineering Thermoplastic.
Flammability Rating UL 94V-0.
- **Contacts** : Phosphor Bronze.
- **Plating** : Gold Plating Over Nickel In Contact Area.
Tin Plating Over Nickel In Solder Area.
- **Shield** : Brass Plating Tin.



Ordering Information

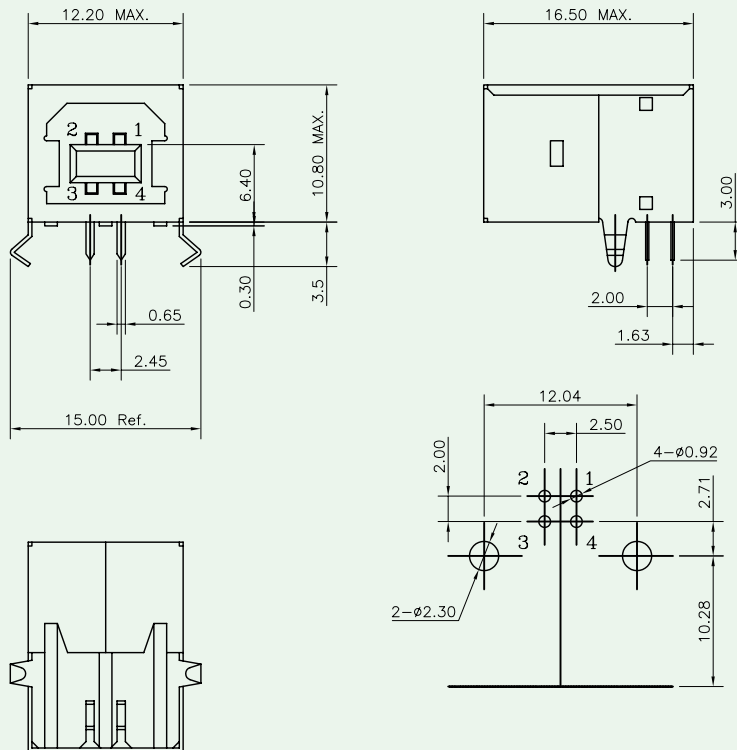
6100 - D Series

Series No. _____ D : Top Entry, SMT



USB Connector B Type (Side Entry)

KINSUN



PCB LAYOUT/TOP VIEW

Voltage Rating : 30V AC
Current Rating : 1 A
Insulation Resistance : 1000 MΩ Min
Contact Resistance : 30 mΩ Max
Dielectric Withstanding Voltage : 500V AC
Temperature Range : -20°C to +85°C

Materials

- **Plastic Housing** : Engineering Thermoplastic.
Flammability Rating UL 94V-0.
- **Contacts** : Phosphor Bronze.
- **Plating** : Gold Plating Over Nickel In Contact Area.
Tin Plating Over Nickel In Solder Area.
- **Shield** : Brass Plating Tin.



Ordering Information

6110 - A Series

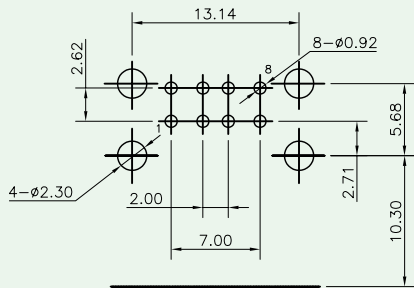
Series No.

A : Side Entry, TH

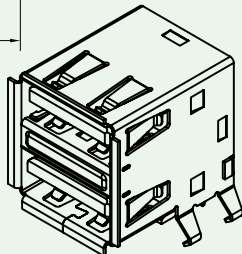
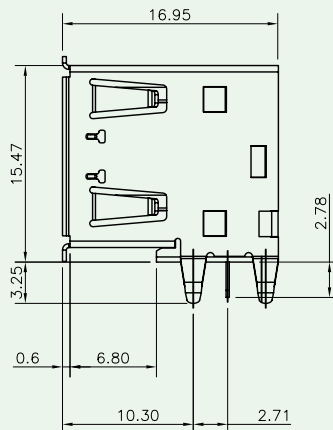
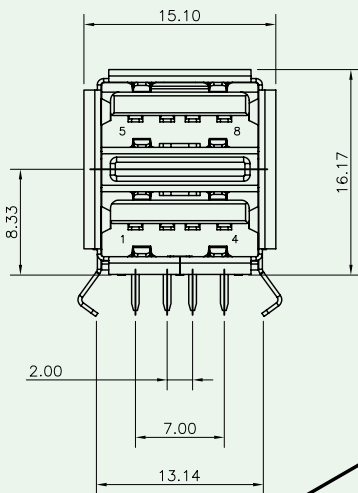
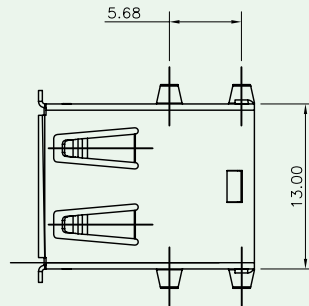


Dual USB-A Connector (Side Entry)

KINSUN



PCB LAYOUT/TOP VIEW



Voltage Rating : 30V AC
 Current Rating : 1 A
 Insulation Resistance : 1000 MΩ Min
 Contact Resistance : 30 mΩ Max
 Dielectric Withstanding Voltage : 500V AC
 Temperature Range : -20°C to +85°C

Materials

- **Plastic Housing** : Engineering Thermoplastic.
Flammability Rating UL 94V-0.
- **Contacts** : Phosphor Bronze.
- **Plating** : Gold Plating Over Nickel In Contact Area.
Tin Plating Over Nickel In Solder Area.
- **Shield** : Brass Plating Tin.



Ordering Information

6120 - A Series

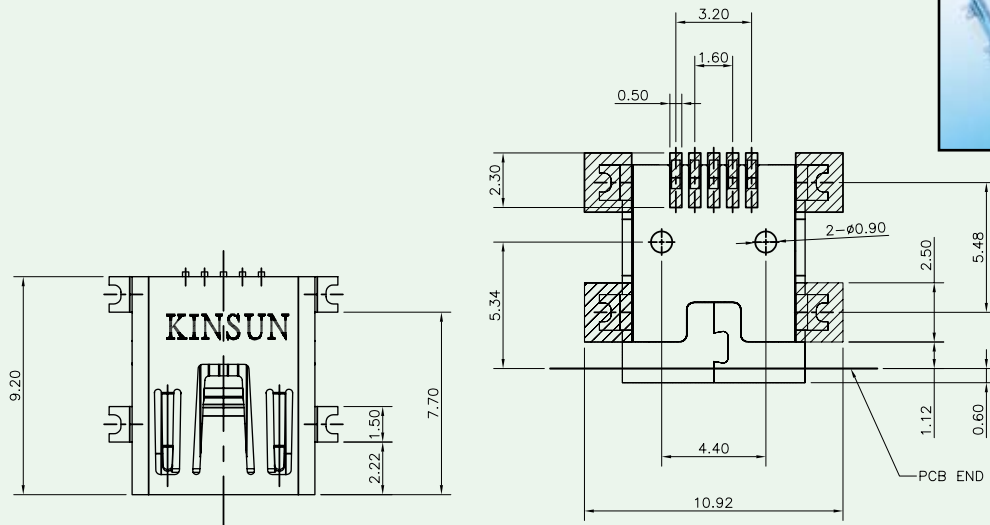
Series No.

A : Side Entry, TH

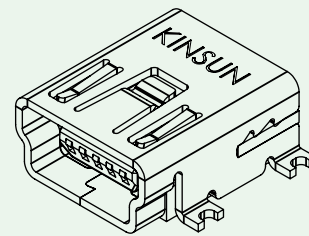
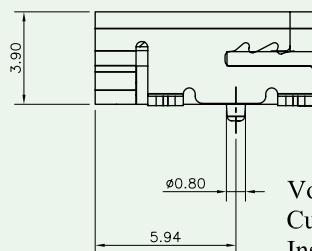
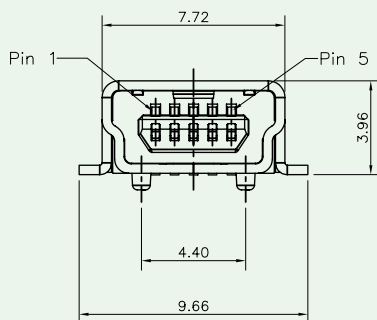


Mini USB Connector B Type (Side Entry, 5Pin, SMT)

KINSUN



PCB LAYOUT/TOP VIEW



Voltage Rating : 30V AC
 Current Rating : 1 A
 Insulation Resistance : 100 MΩ Min
 Contact Resistance : 50 mΩ Max
 Dielectric Withstanding Voltage : 100V AC

Materials

- **Plastic Housing** : Engineering Thermoplastic.
Flammability Rating UL 94V-0.
- **Contacts** : Phosphor Bronze.
- **Plating** : Gold Plating Over Nickel In Contact Area.
Tin Plating Over Nickel In Solder Area.
- **Shield** : Steel Plating Tin. (Matte Sn)



Ordering Information

6130 - A Series

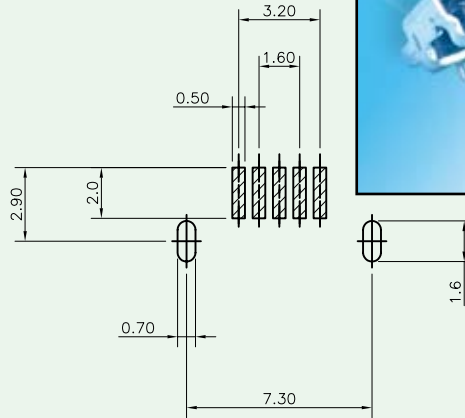
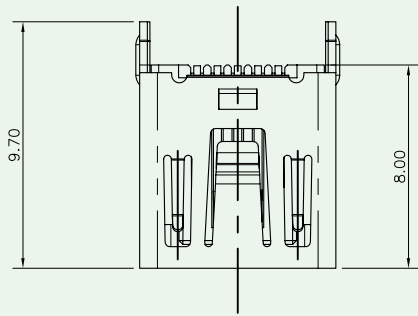
Series No.

A : Side Entry, SMT

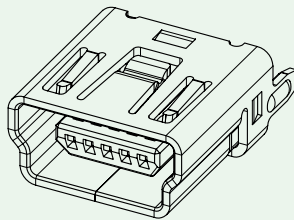
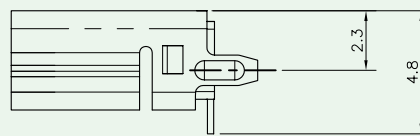
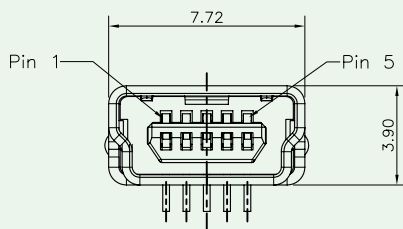


Mini USB Connector B-Type (Top Entry, 5Pin, SMT)

KINSUN



PCB LAYOUT/TOP VIEW



Voltage Rating : 30V AC
Current Rating : 1 A
Insulation Resistance : 100 MΩ Min
Contact Resistance : 50 mΩ Max
Dielectric Withstanding Voltage : 100V AC

Materials

- **Plastic Housing** : Engineering Thermoplastic.
Flammability Rating UL 94V-0.
- **Contacts** : Phosphor Bronze.
- **Plating** : Gold Plating Over Nickel In Contact Area.
Tin Plating Over Nickel In Solder Area.
- **Shield** : Steel Plating Tin.(Matte Sn)



Ordering Information

6130 - C Series

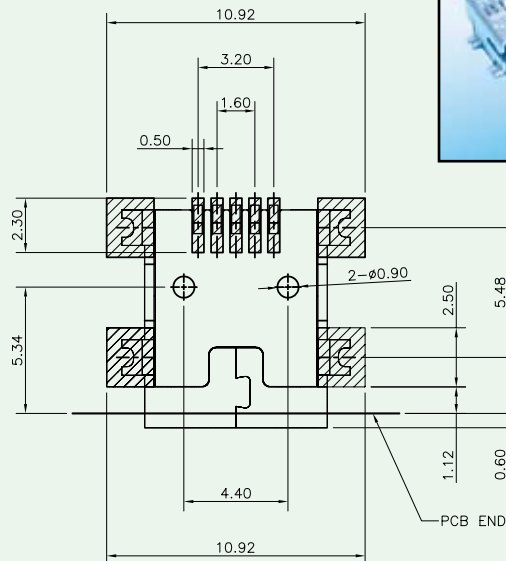
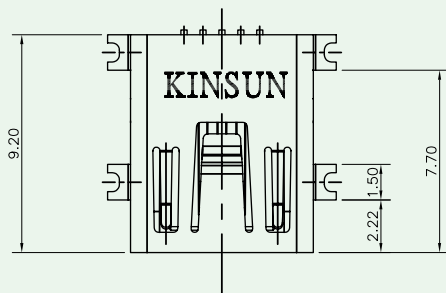
Series No.

C : Top Entry, SMT

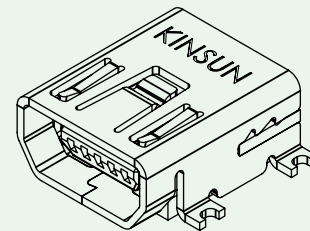
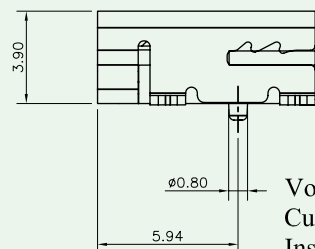
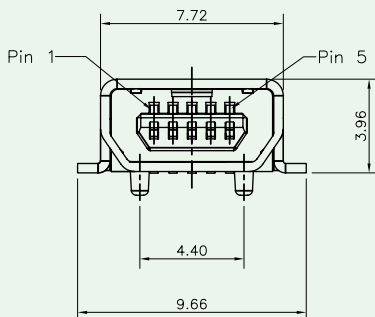


Mini USB Connector AB-Type (Side Entry, 5Pin, SMT)

KINSUN



PCB LAYOUT/TOP VIEW



Voltage Rating : 30V AC
Current Rating : 1 A
Insulation Resistance : 100 MΩ Min
Contact Resistance : 50 mΩ Max
Dielectric Withstanding Voltage : 100V AC

Materials

- **Plastic Housing** : Engineering Thermoplastic.
Flammability Rating UL 94V-0.
- **Contacts** : Phosphor Bronze.
- **Plating** : Gold Plating Over Nickel In Contact Area.
Tin Plating Over Nickel In Solder Area.
- **Shield** : Steel Plating Tin. (Matte Sn)



Ordering Information

6140 - A Series

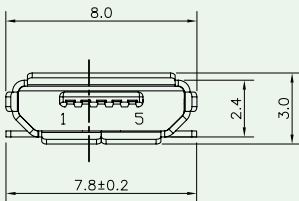
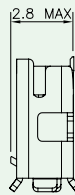
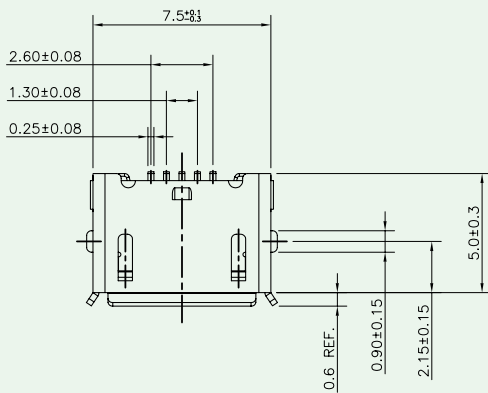
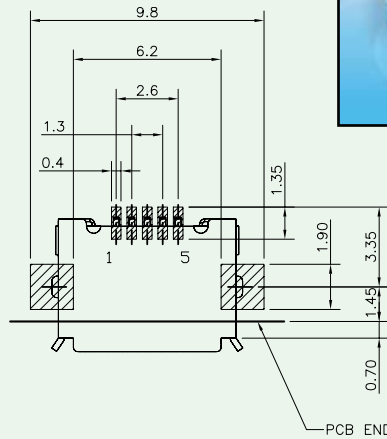
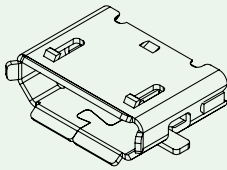
Series No.

A : Side Entry, SMT



USB 2.0 Micro-B Receptacle

KINSUN



Voltage Rating : 5V AC
 Current Rating : 1.5 A
 Insulation Resistance : 100 MΩ Min
 Contact Resistance : 30 mΩ Max.
 Dielectric Withstanding : 100V AC
 Voltage : -30°C to +85°C

Materials

- **Plastic Housing** : Engineering Thermoplastic.
Flammability Rating UL 94V-0.
- **Contacts** : Phosphor Bronze.
- **Plating** : Gold Plating Over Nickel In Contact Area.
Tin Plating Over Nickel In Solder Area.
- **Shield** : Brass Plating Tin. (Matte Sn)



Ordering Information

6135 - H Series

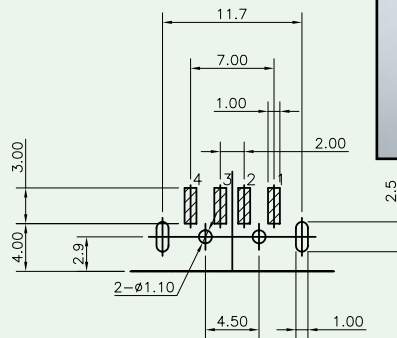
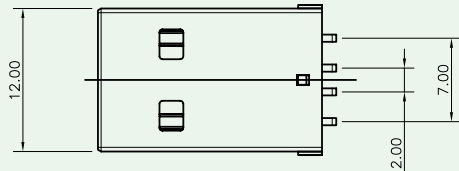
Series No.

H : Side Entry, SMT

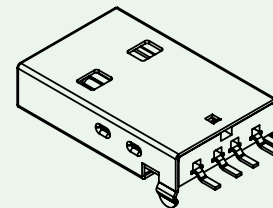
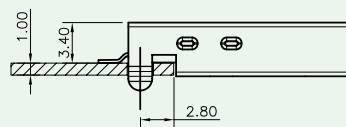
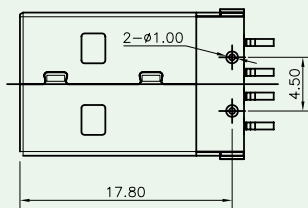
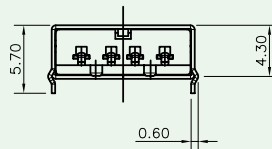
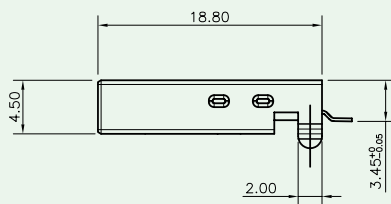


USB Standard-A Plug (SMT TYPE)

KINSUN



PCB LAYOUT/TOP VIEW



Voltage Rating : 30V AC
 Current Rating : 1 A
 Insulation Resistance : 1000 MΩ Min
 Contact Resistance : 30 mΩ Max
 Dielectric Withstanding Voltage : 500V AC
 Temperature Range : -20°C to +85°C

Materials

- **Plastic Housing** : Engineering Thermoplastic.
Flammability Rating UL 94V-0.
- **Contacts** : Phosphor Bronze.
- **Plating** : Gold Plating Over Nickel In Contact Area.
Tin Plating Over Nickel In Solder Area.
- **Shield** : Steel Plating Nickel.



Ordering Information

6150 - H Series

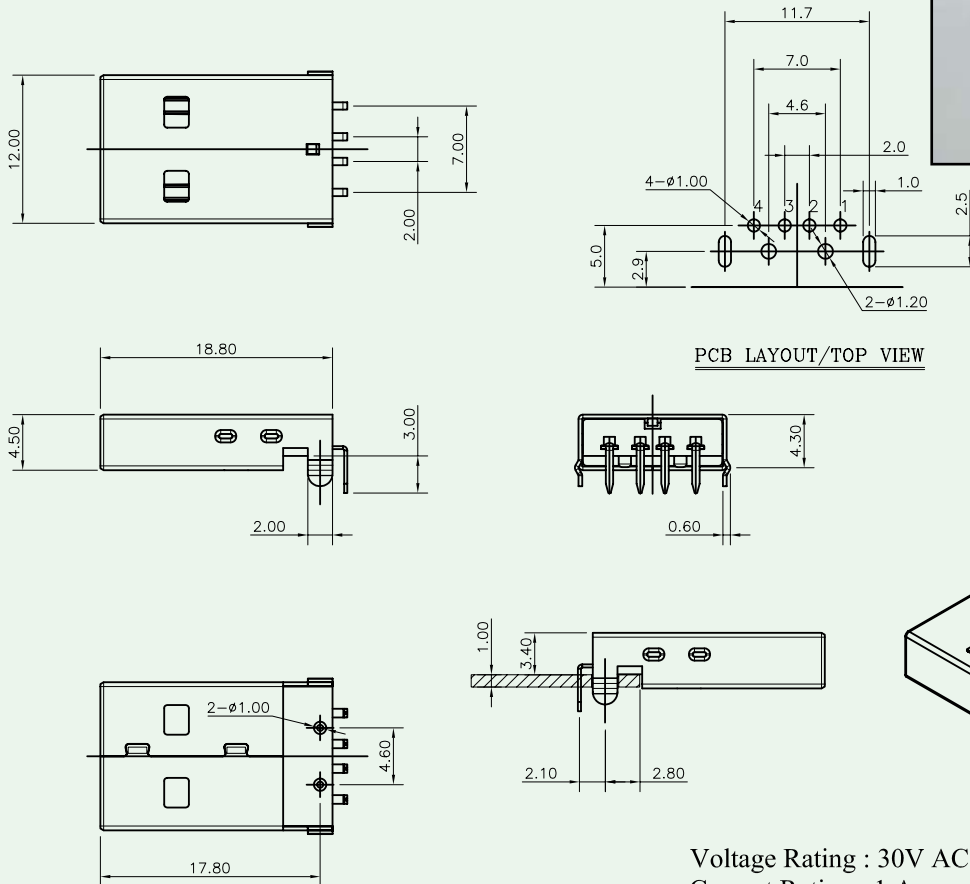
Series No.

H : Side Entry, SMT



USB Standard-A Plug (TH TYPE)

KINSUN



Voltage Rating : 30V AC
 Current Rating : 1 A
 Insulation Resistance : 1000 MΩ Min
 Contact Resistance : 30 mΩ Max
 Dielectric Withstanding Voltage : 500V AC
 Temperature Range : -20°C to +85°C

Materials

- **Plastic Housing** : Engineering Thermoplastic.
Flammability Rating UL 94V-0.
- **Contacts** : Phosphor Bronze.
- **Plating** : Gold Plating Over Nickel In Contact Area.
Tin Plating Over Nickel In Solder Area.
- **Shield** : Steel Plating Nickel.



Ordering Information

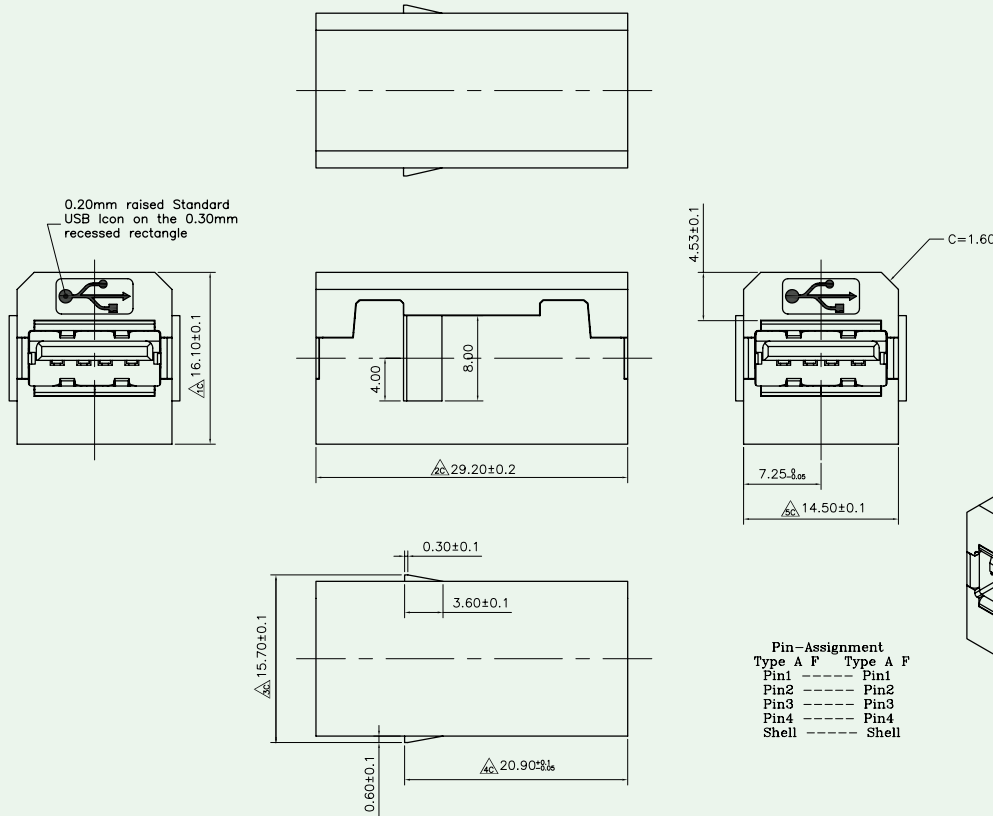
6150 - P Series

Series No. _____ P : Side Entry, TH



USB A-A TYPE ADAPTOR

KINSUN



APPLICATION AND FEATURES

1. Compact and low profile design for saving space
2. High reliable contact with low insertion force.
3. Straight and right angle type facilitate engineering design.
4. Mate with flexible Printed Circuit.

SPECIFICATIONS

Meets USB2.0 specifications

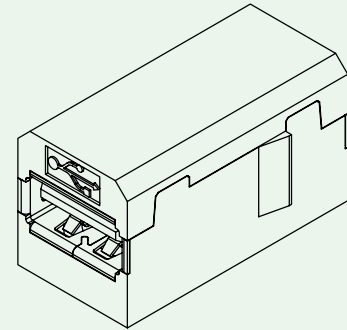
Current Rating : 1.5 A Max.

Insulator resistance : 1000 Megohms min .

Contact resistance : 30 m ohm Max.

DWV:500v AC/60s Pin to Pin;1000v AC/60s Pin to shell.

Operating Temperature : -40 °C +85 °C



Materials

- **Housing** : Engineering thermo plastic
Flammability Rating UL 94V-0.
- **Contacts** : Phosphor Bronze t=0.25mm.
- **Shell** : Brass t=0.30mm Plating Ni 40µ".



Ordering Information

6180 Series



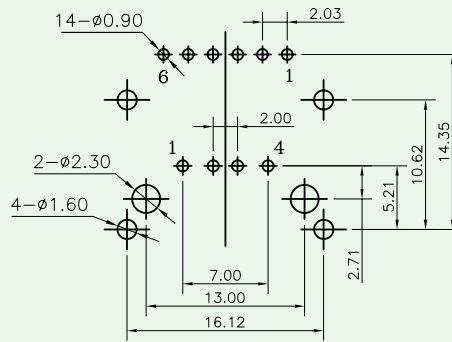
RJ45 Over Single USB 10/100 Base-T (8P6C)

KINSUN

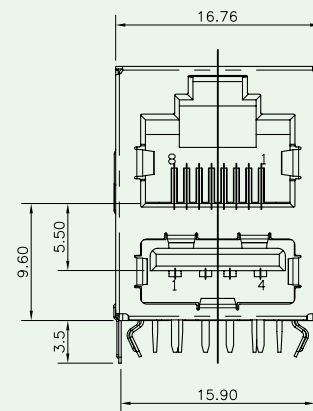
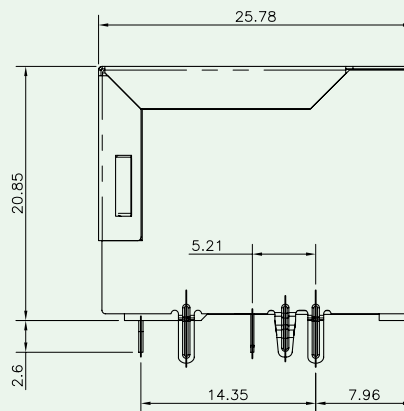
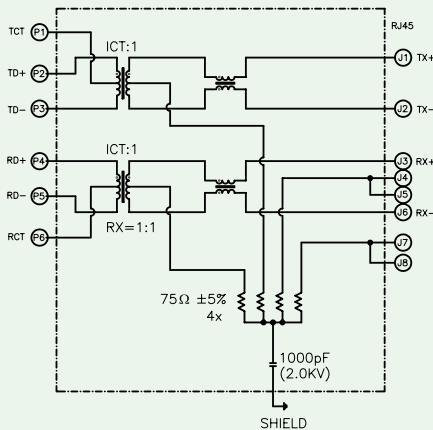
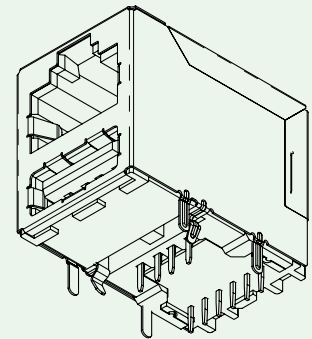
ELECTRICAL CHARACTERISTICS @ 25°C

<p> URNS RATIO TX RX OCL: @100KHz/100mVRMS 8mA DC BLAS INS. LOSS 1MHz TO 100MHz RET.LOSS(MIN) 1MHz-30MHz 30MHz-60MHz 60MHz-80MHz CROSS TALK (TX - RX) 50KHz-80MHz 80MHz-100MHz CM TO CM REJ 100KHz-100MHz CM TO DM REJ 100KHz-100MHz </p>	<p> ICT: 1 ICT: 1 350uH MIN -1.0dB MAX -18dB -18+20LOG(F/30MHz)dB -12dB -35dB MIN -33dB MIN -30dB MIN -40dB MIN </p>
---	--

HIPOT (Isolation voltage): 1500Vrms



PCB LAYOUT/TOP VIEW



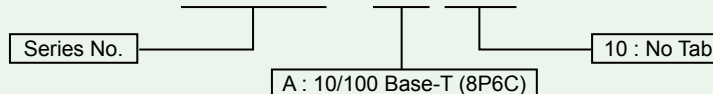
Materials

- **Plastic Housing** : Engineering Thermoplastic.
Flammability Rating UL 94V-0.
- **Contacts** : Phosphor Bronze.
- **Plating** : Gold Plating Over Nickel In Contact Area.
Tin Plating Over Nickel In Solder Area.



Ordering Information

3500 - A 10 Series





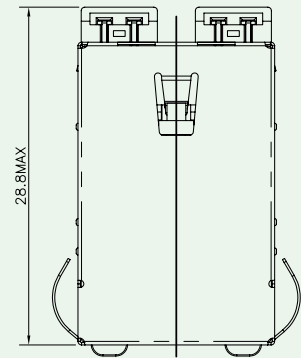
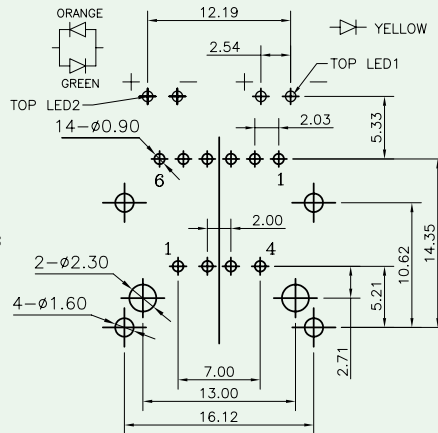
RJ45 Over Single USB 10/100 Base-T (8P6C)

KINSUN

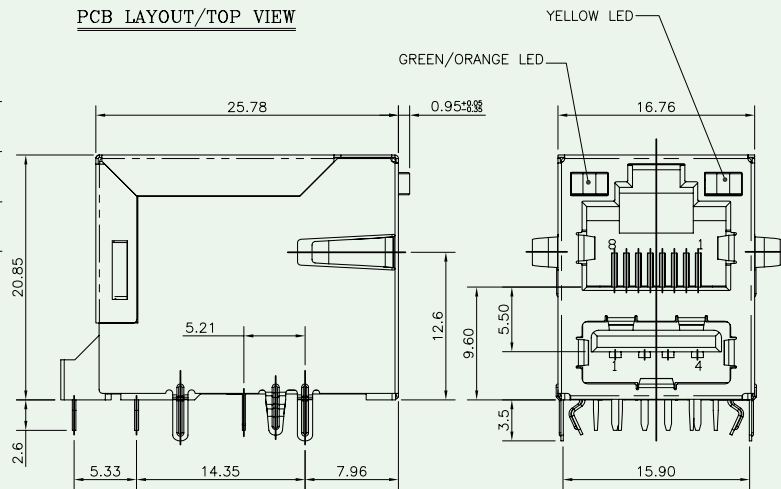
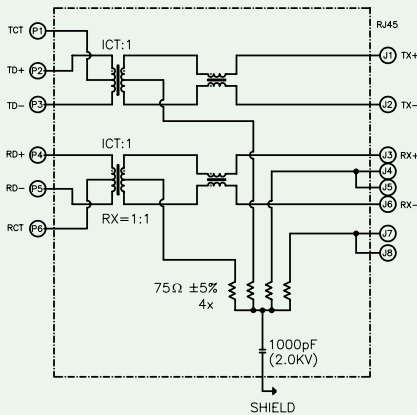


ELECTRICAL CHARACTERISTICS @ 25°C

TURNS RATIO
 TX ICT: 1
 RX ICT: 1
 OCL: @100KHz/100mVRMS 350uH MIN
 8mA DC BLAS
 INS. LOSS 1MHz TO 100MHz -1.0dB MAX
 RET.LOSS(MIN) 1MHz-30MHz -18dB
 30MHz-60MHz -18+20LOG(F/30MHz)dB
 60MHz-80MHz -12dB
 CROSS TALK (TX - RX) 50KHz-80MHz -35dB MIN
 80MHz-100MHz -33dB MIN
 CM TO CM REJ 100KHz-100MHz -30dB MIN
 CM TO DM REJ 100KHz-100MHz -40dB MIN
 HIPOT (Isolation voltage): 1500Vrms



PCB LAYOUT/TOP VIEW



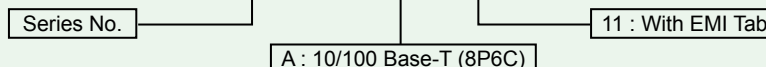
Materials

- **Plastic Housing** : Engineering Thermoplastic.
Flammability Rating UL 94V-0.
- **Contacts** : Phosphor Bronze.
- **Plating** : Gold Plating Over Nickel In Contact Area.
Tin Plating Over Nickel In Solder Area.



Ordering Information

3500 - A 11 Series





RJ45 Over Single USB 10/100/1000 Base-T

KINSUN



Turns Ratio (+5%):TX (1CT : 1CT) RX(1CT : 1CT)

Insertion Loss (dB MAX): 0.3~100 MHz -1.0dB

Return Loss(dB MIN @100)

30MHz -18dB

60MHz -14dB

80MHz -12dB

Crosstalk (TX-RX) (dB MIN)

1MHz ~ 30MHz -40 dB

30MHz ~ 60MHz -35 dB

60MHz ~ 100MHz -30 dB

CMRR TX/RX(dB MIN)

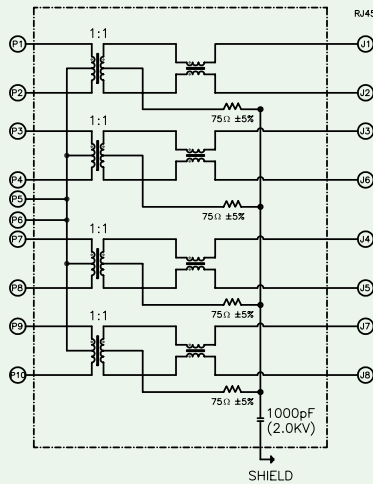
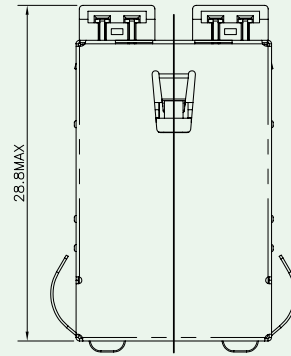
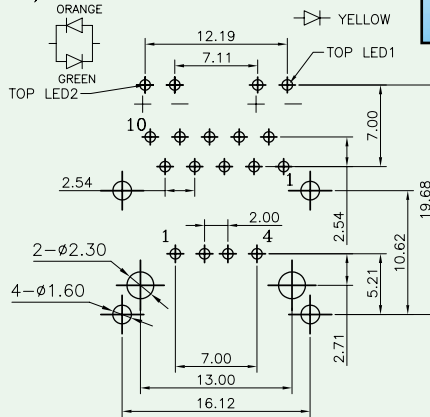
30MHz -40 dB

50MHz -35 dB

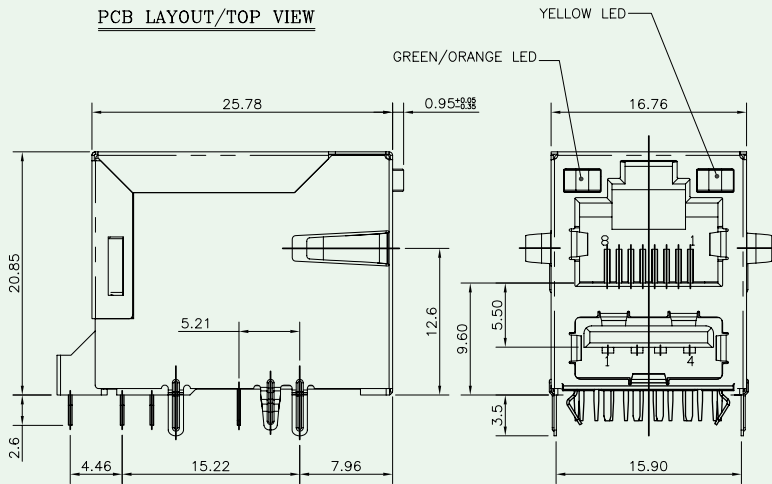
100MHz -30dB

150MHz -20 dB

Hipot (Vrms MIN) 1500AVC



PCB LAYOUT/TOP VIEW



Materials

- **Plastic Housing** : Engineering Thermoplastic.
Flammability Rating UL 94V-0.
- **Contacts** : Phosphor Bronze.
- **Plating** : Gold Plating Over Nickel In Contact Area.
Tin Plating Over Nickel In Solder Area.



Ordering Information

3500 - H Series

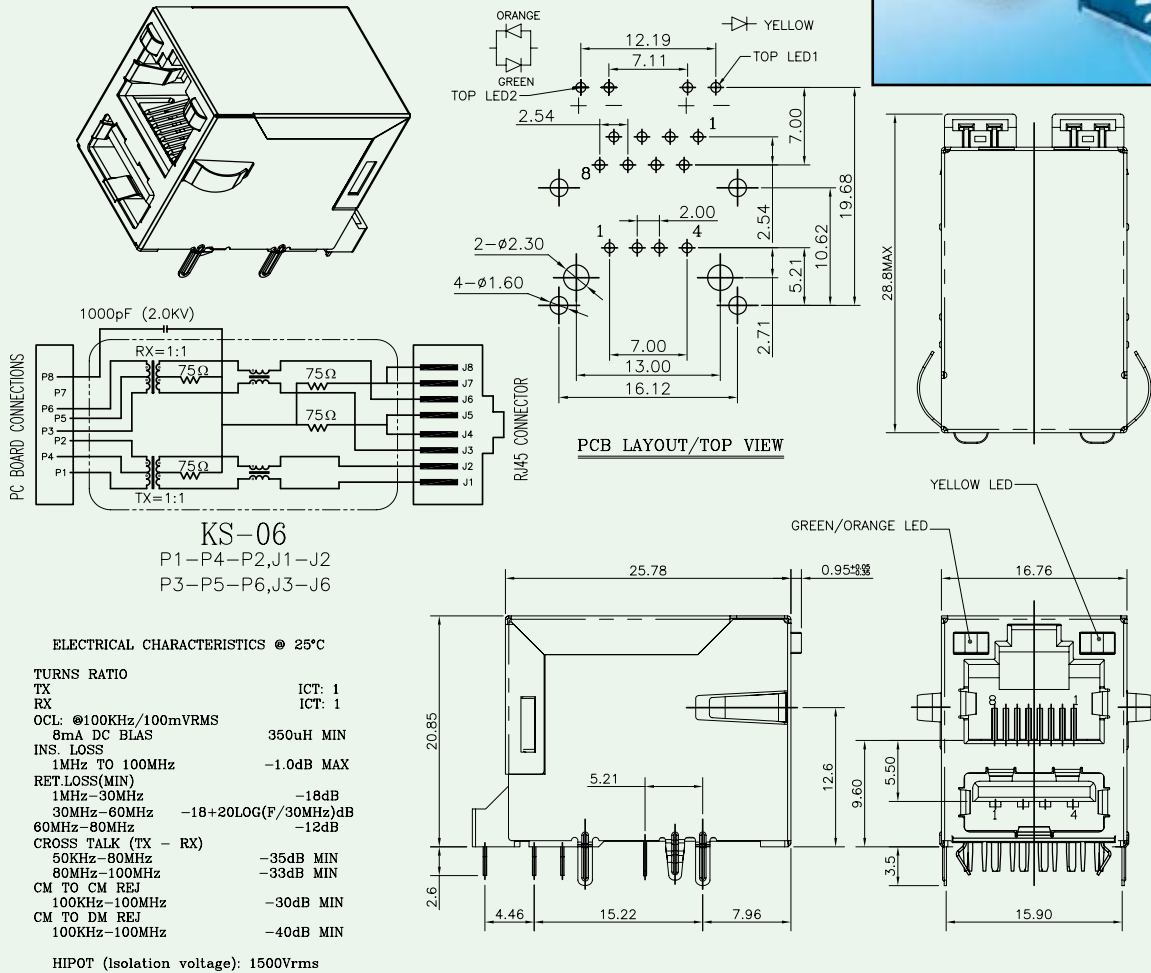
Series No.

H : 10/100/1000 Base-T



RJ45 Over Single USB 10/100 Base-T (8P8C)

KINSUN



Materials

- **Plastic Housing** : Engineering Thermoplastic.
Flammability Rating UL 94V-0.
- **Contacts** : Phosphor Bronze.
- **Plating** : Gold Plating Over Nickel In Contact Area.
Tin Plating Over Nickel In Solder Area.



Ordering Information

3500 - S Series

Series No.

S : 10/100 Base-T (8P8C)



RJ45 Over Dual USB 10/100 Base-T (8P6C)

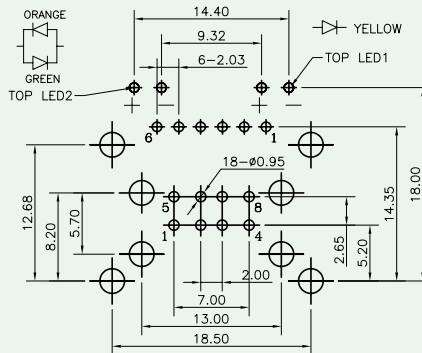
KINSUN



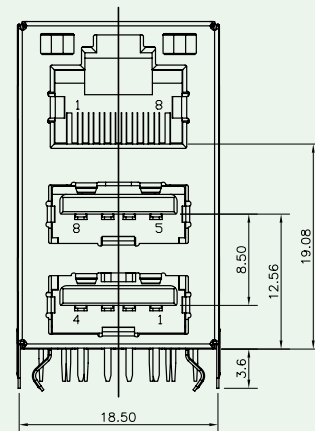
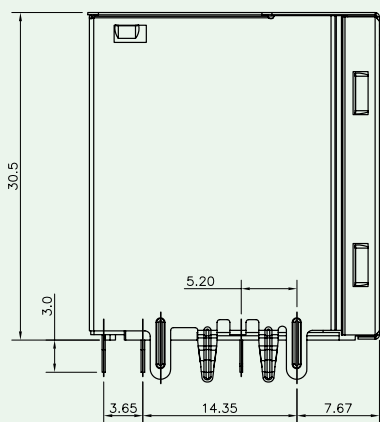
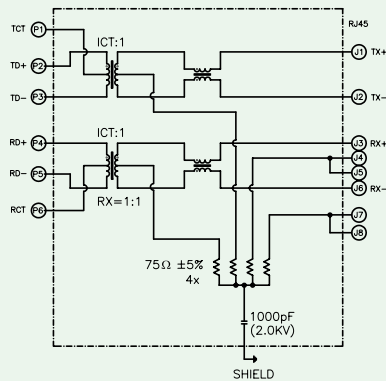
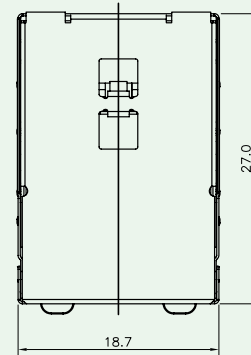
ELECTRICAL CHARACTERISTICS @ 25°C

<p> URNS RATIO TX RX OCL: @100KHz/100mVRMS 8mA DC BLAS INS. LOSS 1MHz TO 100MHz RET.LOSS(MIN) 1MHz-30MHz 30MHz-60MHz 60MHz-80MHz CROSS TALK (TX - RX) 50KHz-80MHz 80MHz-100MHz CM TO CM REJ 100KHz-100MHz CM TO DM REJ 100KHz-100MHz </p>	<p> ICT: 1 ICT: 1 350uH MIN -1.0dB MAX -18dB -18+200LOG(F/30MHz)dB -12dB -35dB MIN -33dB MIN -30dB MIN -30dB MIN -40dB MIN </p>
---	--

HIPOT (Isolation voltage): 1500Vrms



PCB LAYOUT/TOP VIEW



Materials

- **Plastic Housing** : Engineering Thermoplastic.
Flammability Rating UL 94V-0.
- **Contacts** : Phosphor Bronze.
- **Plating** : Gold Plating Over Nickel In Contact Area.
Tin Plating Over Nickel In Solder Area.



Ordering Information

3501 - A Series

Series No.

A : 10/100 Base-T (8P6C)



RJ45 Over Dual USB 10/100/1000 Base-T

KINSUN



Turns Ratio (+5%):TX (1CT : 1CT) RX(1CT : 1CT)

Insertion Loss (dB MAX): 0.3~100 MHz -1.0dB

Return Loss(dB MIN @100)

30MHz -18dB

60MHz -14dB

80MHz -12dB

Crosstalk (TX-RX) (dB MIN)

1MHz ~ 30MHz -40 dB

30MHz ~ 60MHz -35 dB

60MHz ~ 100MHz -30 dB

CMRR TX/RX(dB MIN)

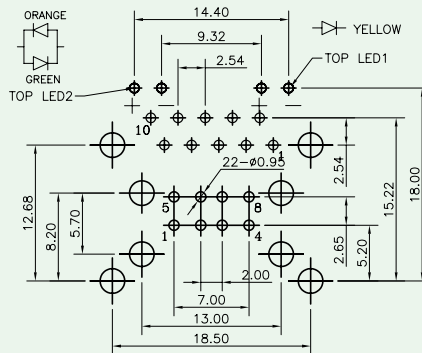
30MHz -40 dB

50MHz -35 dB

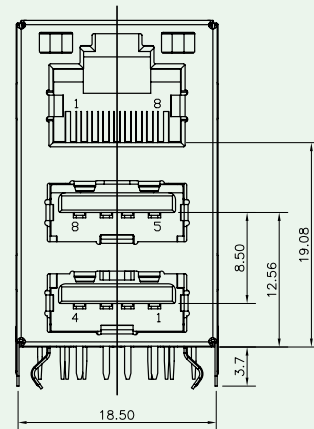
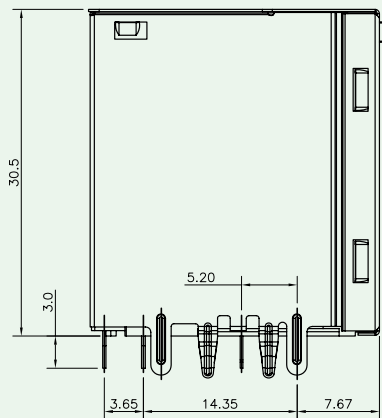
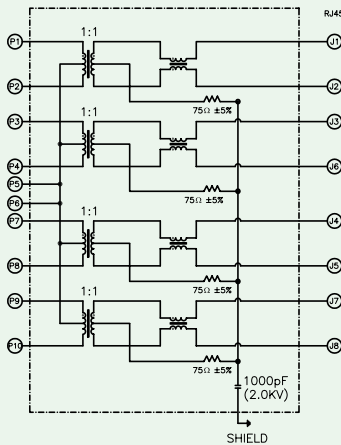
100MHz -30dB

150MHz -20 dB

Hipot (Vrms MIN) 1500AVC



PCB LAYOUT/TOP VIEW



Materials

- **Plastic Housing** : Engineering Thermoplastic.
Flammability Rating UL 94V-0.
- **Contacts** : Phosphor Bronze.
- **Plating** : Gold Plating Over Nickel In Contact Area.
Tin Plating Over Nickel In Solder Area.



Ordering Information

3501 - H Series

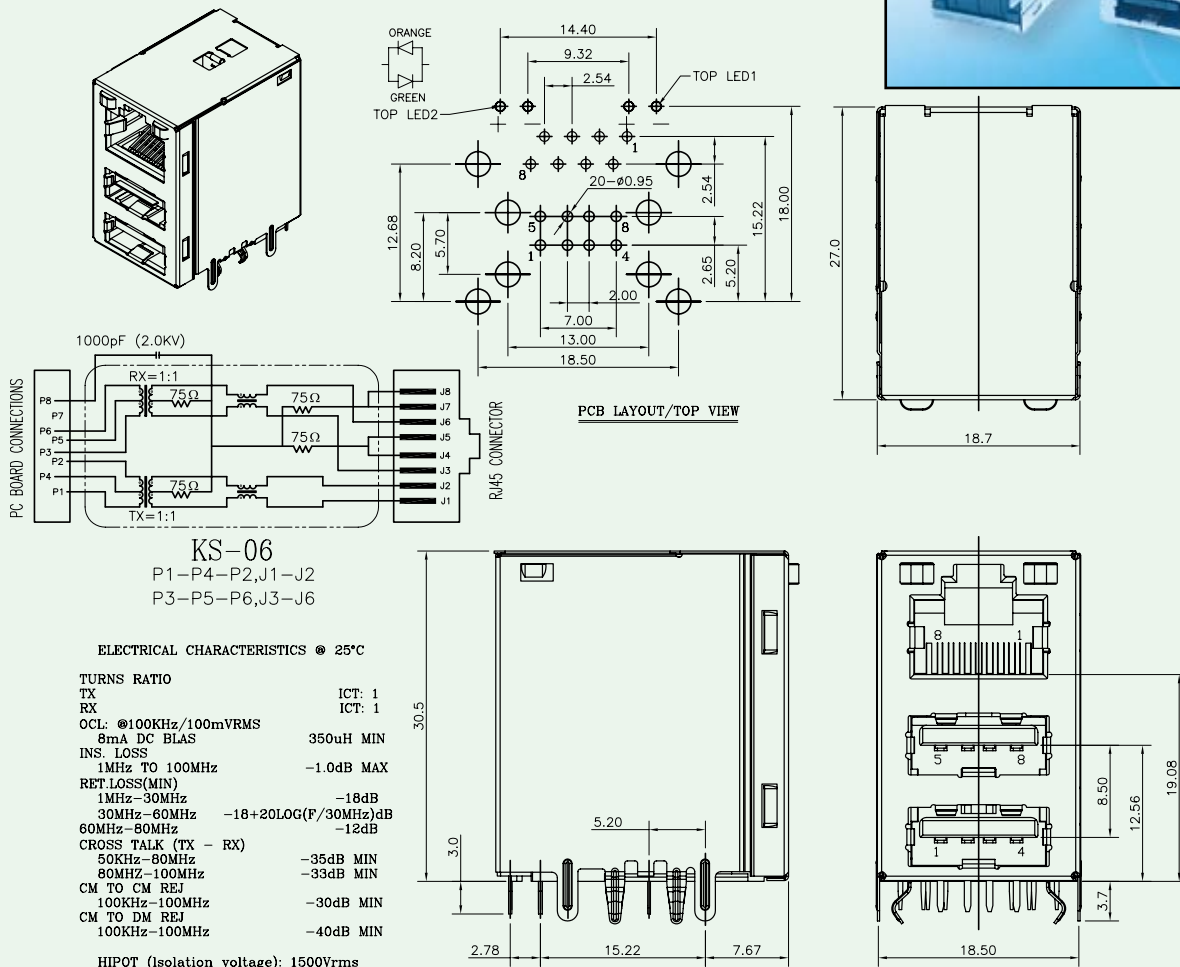
Series No.

H : 10/100/1000 Base-T



RJ45 Over Dual USB 10/100 Base-T (8P8C)

KINSUN



Materials

- **Plastic Housing** : Engineering Thermoplastic.
Flammability Rating UL 94V-0.
- **Contacts** : Phosphor Bronze.
- **Plating** : Gold Plating Over Nickel In Contact Area.
Tin Plating Over Nickel In Solder Area.



Ordering Information

3501 - S Series

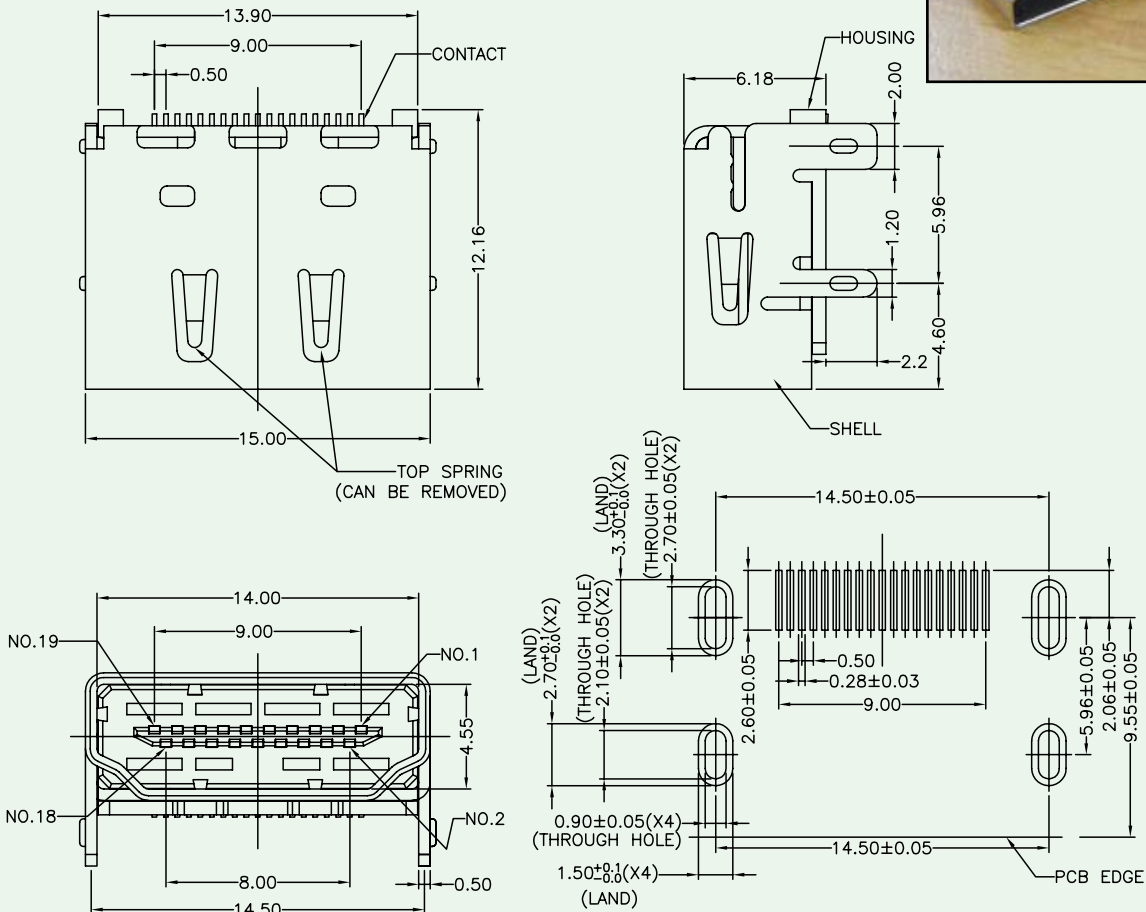
Series No.

S : 10/100 Base-T (8P8C)



High Definition Connector No Flange

KINSUN



RECOMMENDED PCB LAYOUT (THICKNESS=1.6±0.15mm)

Materials

- **Contact** : Copper alloy, Selective gold plated on contact area and Tin plated on solder tail, Nickel underplate.
- **Housing** : High Temperature Thermoplastic, UL 94V-0 rated.
- **Shell** : Copper alloy, Tin plated over nickel.
- **Current Rating** : 0.5A per contact minimum.
- **Operation Temperature** : -25°C ~ +85°C.



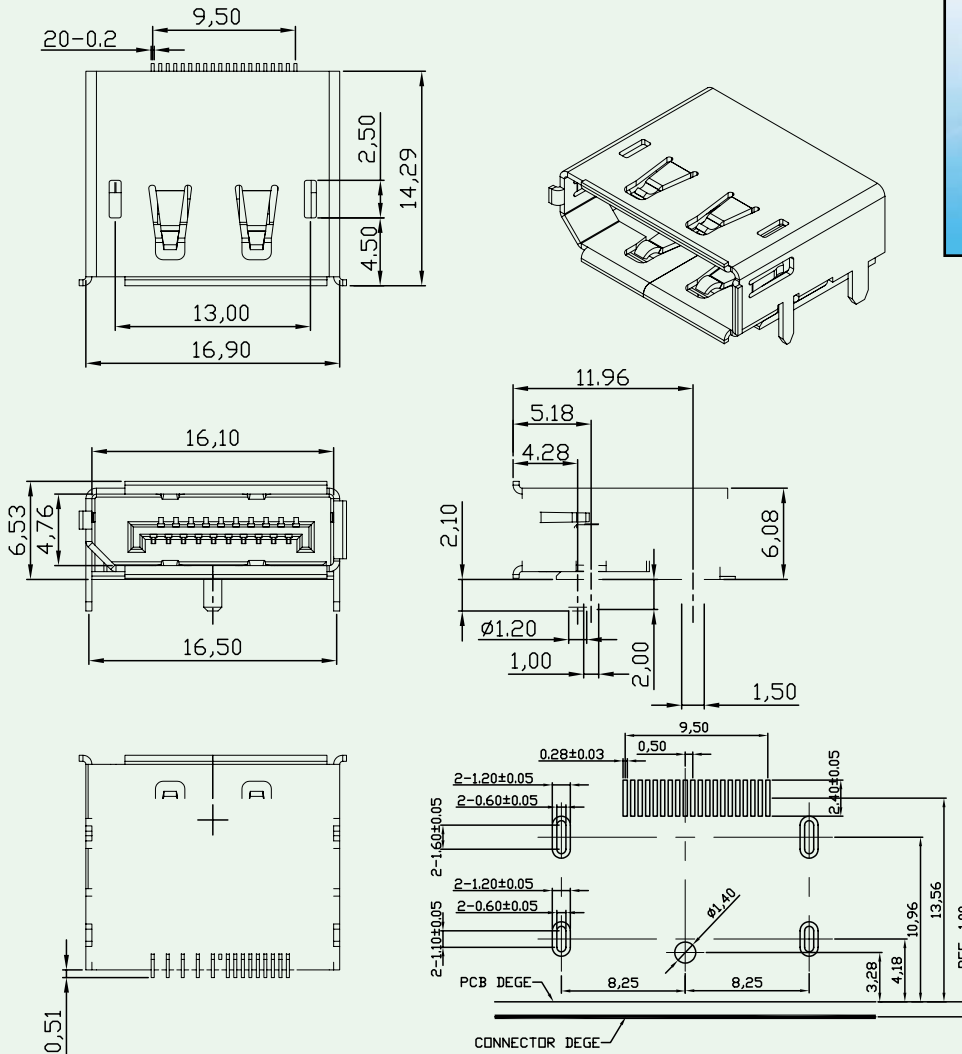
Ordering Information

7300-B Series



DisplayPort External Connector

KINSUN



P.C.B LAYOUT TOP VIEW

Materials

- **Housing** : High Temp. thermo plastic
Flammability Rating UL 94V-0.
- **Contacts** : 0.20mm Thickness Phosphor Bronze.
- **Plating** : Gold Plating Over Nickel In Contact.
Tin Plating Over Nickel In Solder Area.
- **Shielded** : Spcc.



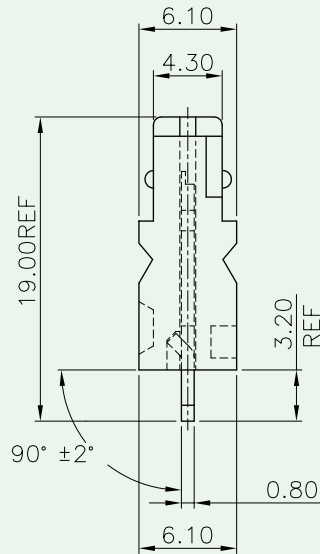
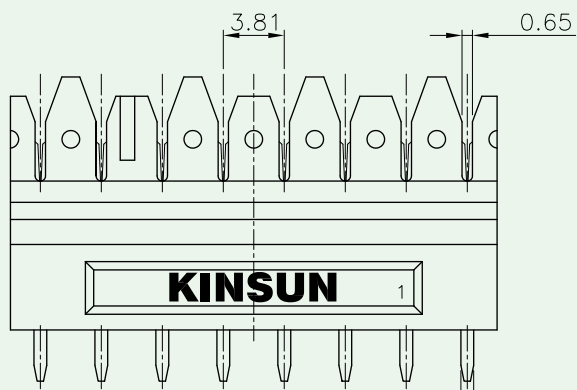
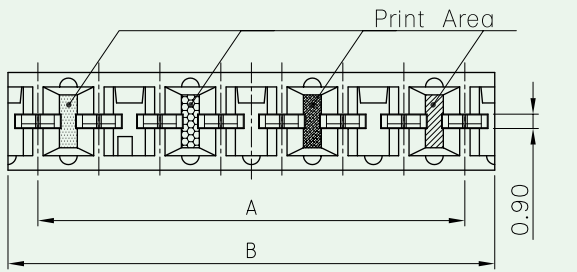
Ordering Information

7400 Series

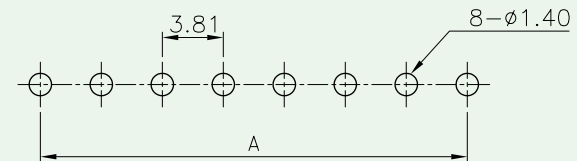


IDC Block (110 Type, For AT&T Tool)

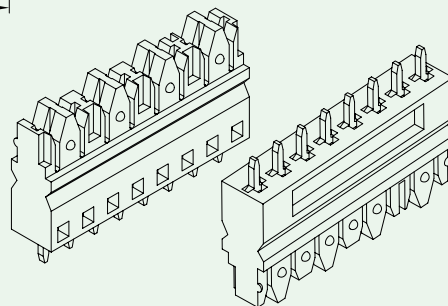
KINSUN



No. of Positions	Dimensions	
	A	B
4	14.43	15.20
5	15.24	19.01
8	26.67	30.40



PCB Layout



Materials

- **Insulator** : PC+30% Glass Fiber.
Flammability Rating UL 94V-0.
Standard Color : Ivory.
- **Pins** : 0.80mm Thickness Phosphor Bronze With Tin Plated Over Nickel.



Ordering Information

5801 -

Series No.

No. Of Pins
4, 5 or 8

• **Color Options On Print Area Are Available.**



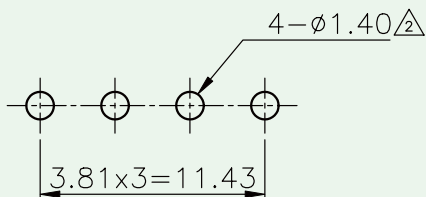
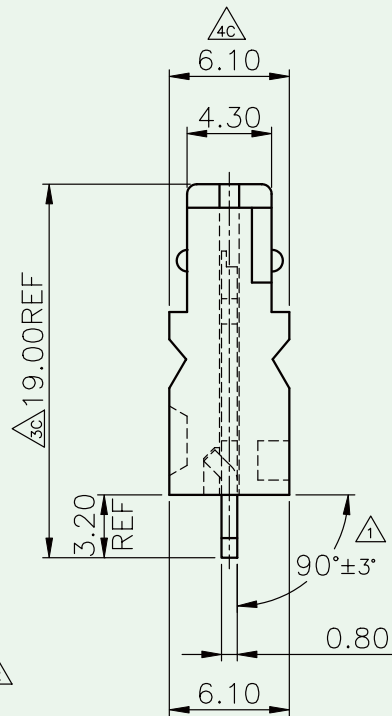
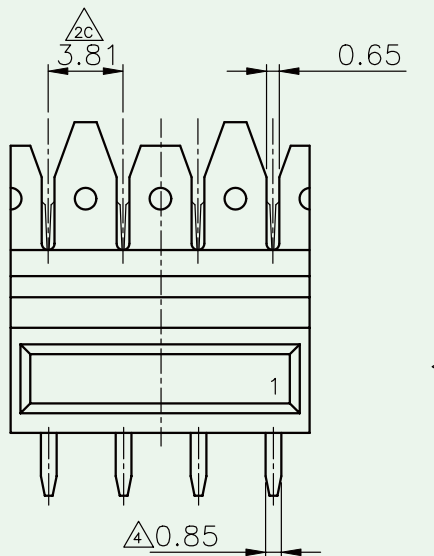
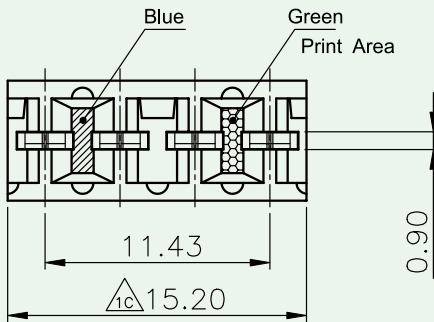
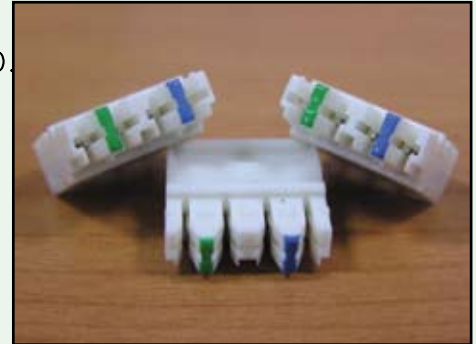
IDC Block (110 Type, For AT&T Tool)

KINSUN

P/N 5801410101:

無凸點,有印刷,無 LOGO

(藍→綠)



P.C.B LAYOUT

Materials

- **Insulator** : PC+30% Glass Fiber UL 94V-0.
- **Contact** : 0.80mm Thickness Alloy C5191-H, Tin Plated Over Nickel.



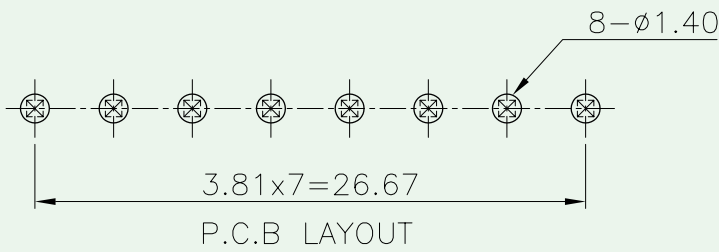
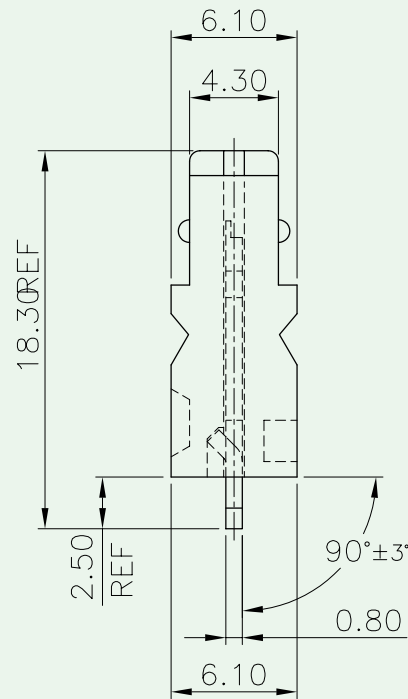
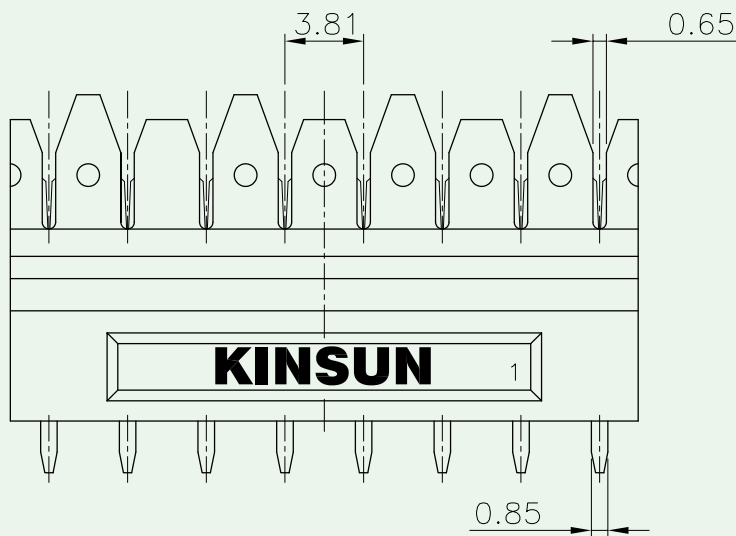
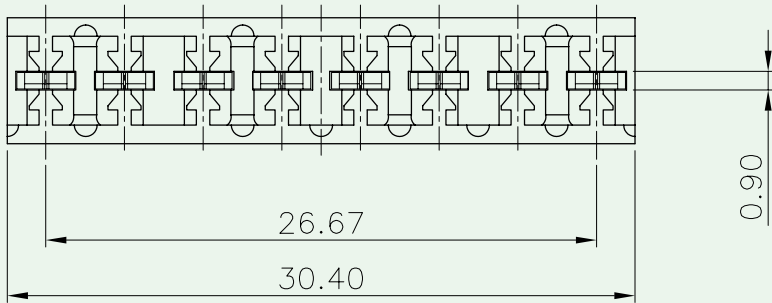
Ordering Information

5801410101



IDC Connector (Dual For 110 & Krone Type)

KINSUN



Materials

- **Housing** : PC+30% Glass Fiber.
Flammability Rating UL 94V-0.
- **Contact** : 0.80mm Thickness Alloy C5191-H. Tin Plating Over Nickel.



Ordering Information

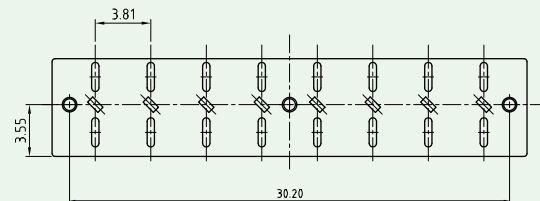
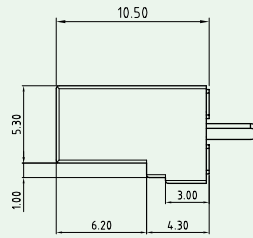
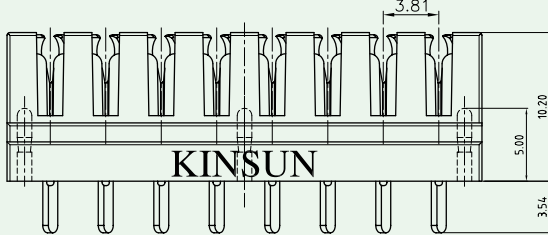
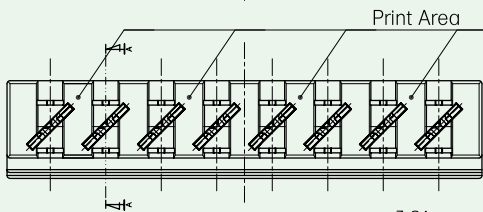
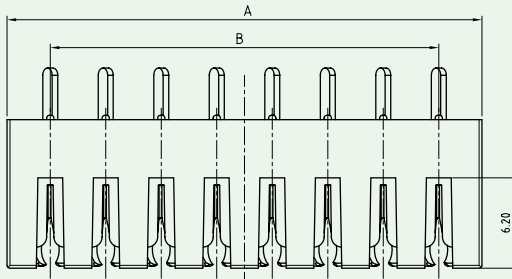
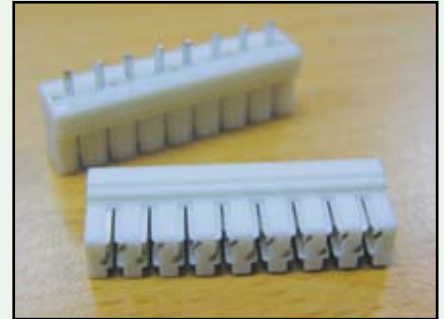
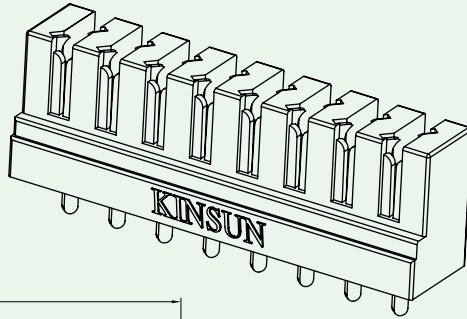
5801D Series

Series No.

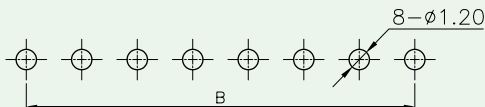


IDC Block (Krone Type)

KINSUN



No. of Positions	Dimensions	
	A	B
4	17.36	11.43
8	32.60	26.67



PCB Layout

Materials

- **Insulator** : PC+30% Glass Fiber.
Flammability Rating UL 94V-0.
Standard Color : Ivory.
- **Pins** : 0.5mm Thickness Brass With Tin Plated Over Nickel.



Ordering Information

5802 -

Series No.

No. Of Pins
4 or 8

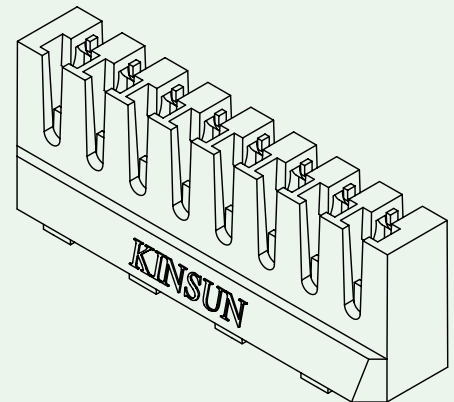
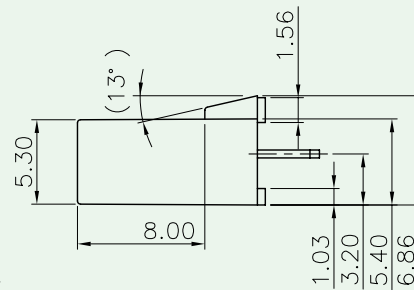
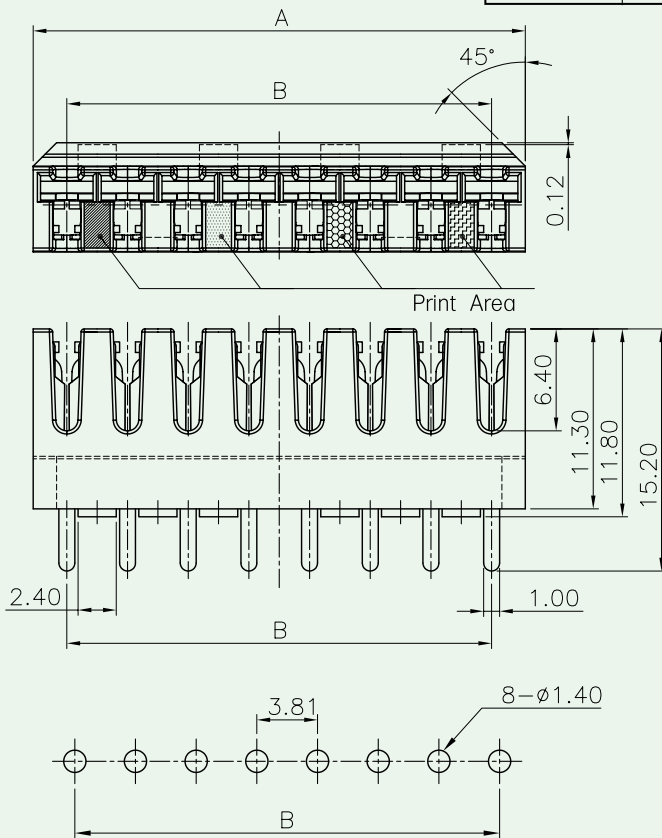
- **Color Options On Print Area Are Available.**



IDC Block (Dual For 110 & Krone Type)

KINSUN

No. of Positions	Dimensions	
	A	B
2	9.80	3.81
4	17.61	11.43
5	21.42	15.24
6	25.23	19.05
8	32.85	26.67



PCB Layout

Materials

- **Insulator** : PC+30% Glass Fiber.
Flammability Rating UL 94V-0.
Standard Color : Gray.
- **Pins** : 0.5mm Thickness Phosphor Bronze With Tin Plated Over Nickel.



Ordering Information

5803 - □

Series No.

No. Of Pins
2, 4, 5, 6 or 8

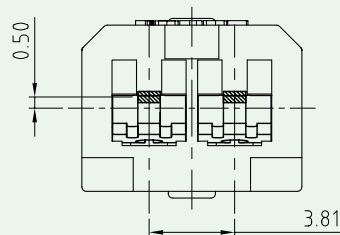
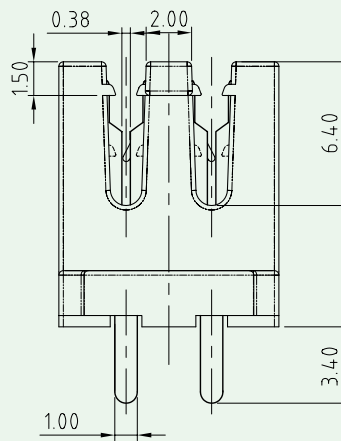
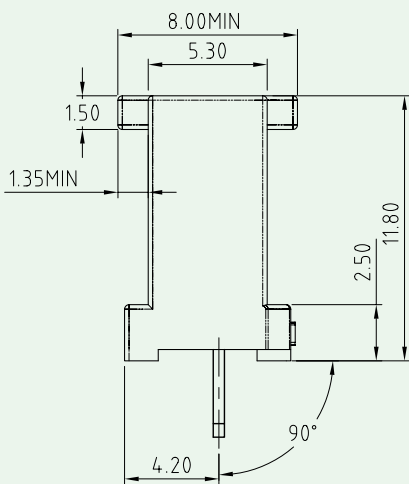
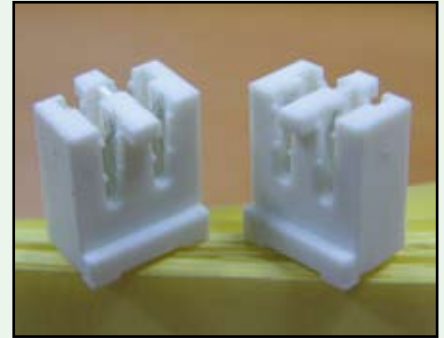
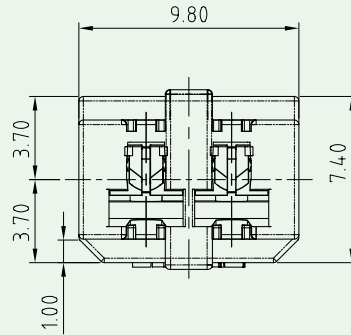
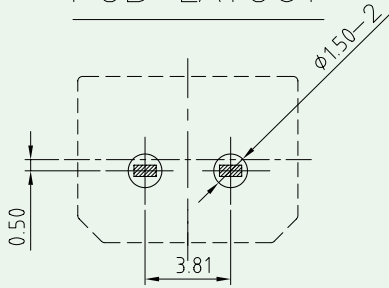
- **Color Options On Print Area Are Available.**
- **Plastic Peg Option Is Available.**



IDC Block (Dual For 110 & Krone Type)

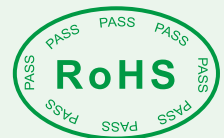
KINSUN

PCB LAYOUT



Materials

- **Insulator** : PC+30% Glass Fiber.
Flammability Rating UL 94V-0.
Standard Color : Gray.
- **Pin** : 0.5mm Thickness Phosphor Bronze With Tin Plated Over Nickel.



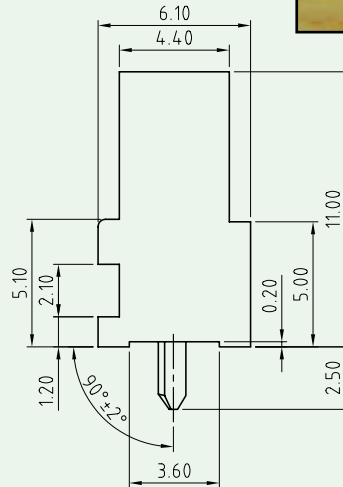
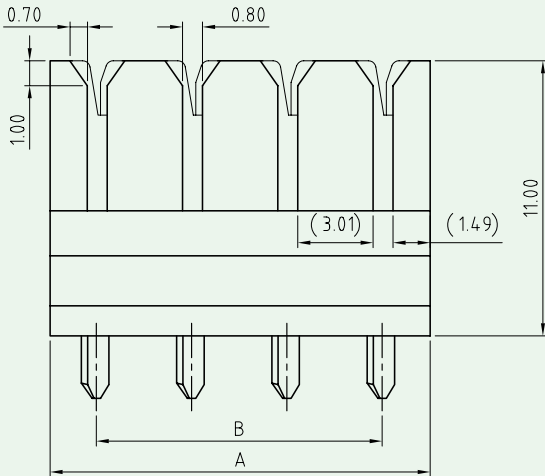
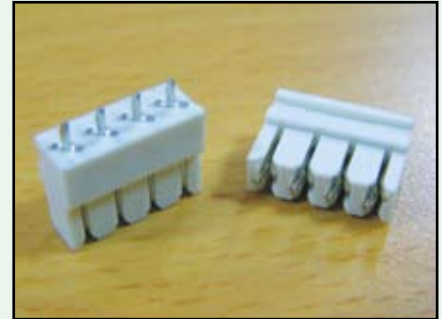
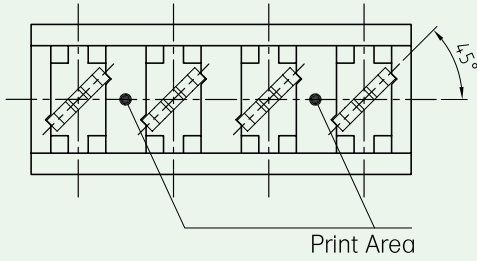
Ordering Information

5803220100

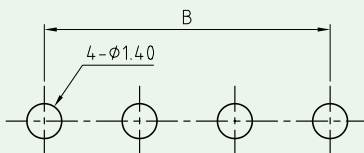


IDC Block (Mini Krone Type)

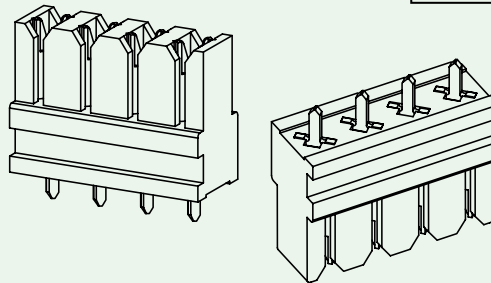
KINSUN



No. of Positions	Dimensions	
	A	B
2	7.58	3.81
4	15.20	11.43



PCB Layout



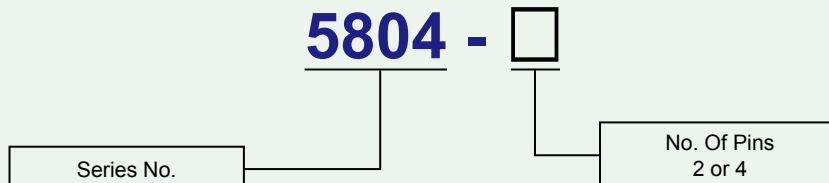
Materials

- **Insulator** : PC+30% Glass Fiber.
Flammability Rating UL 94V-0.
Standard Color : Ivory.
- **Pins** : 0.8mm Thickness Phosphor Bronze With Tin Plated Over Nickel.



Ordering Information

5804 -

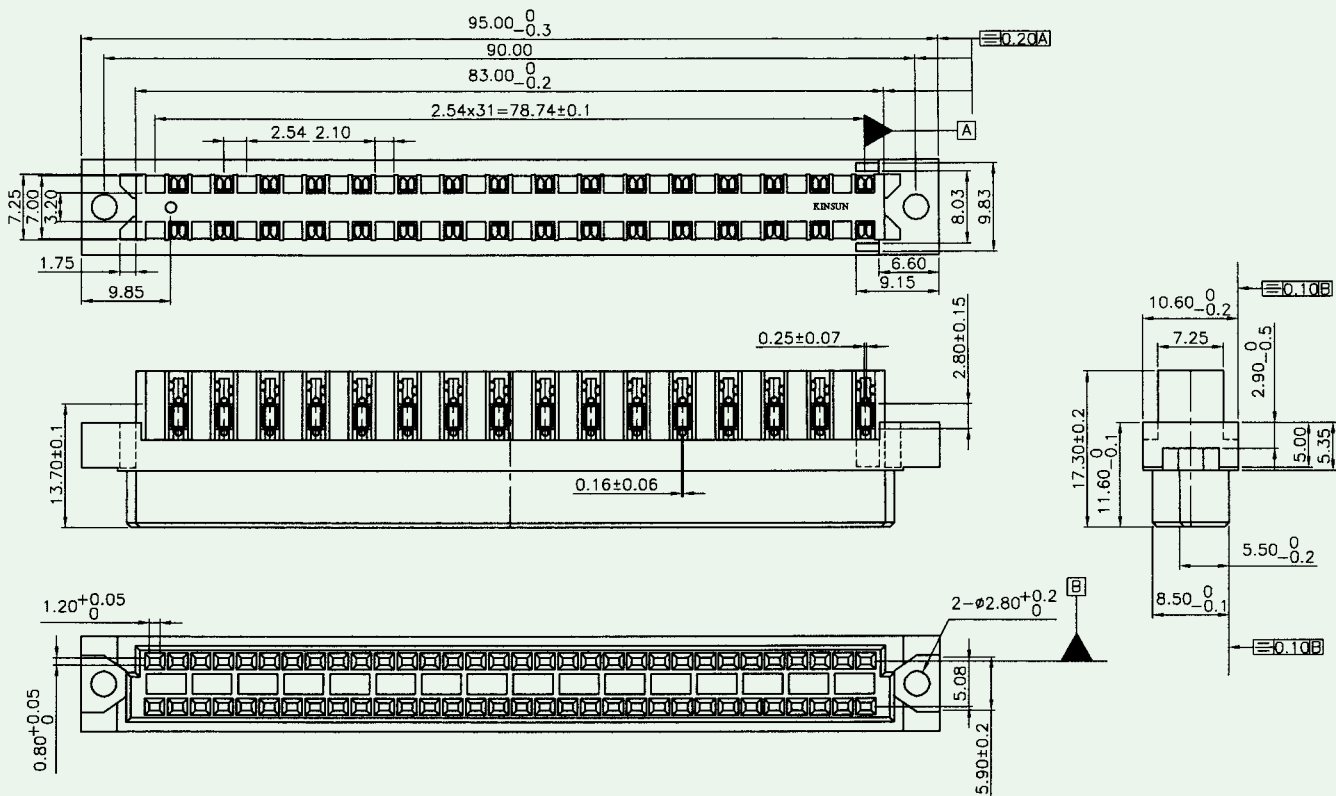


- **Color Options On Print Area Are Available.**



IDC Connector For Telecom (Female, 32 & 64 Pins)

KINSUN



Materials

- **Insulator** : Engineering Thermoplastic.
Flammability Rating UL 94V-0.
- **Pins** : 0.25mm Thickness Phosphor Bronze.
- **Plating** : Gold Plating Over Nickel In Contact Area.
Tin Plating Over Nickel In Other Area.



Ordering Information

5901 -

Series No.

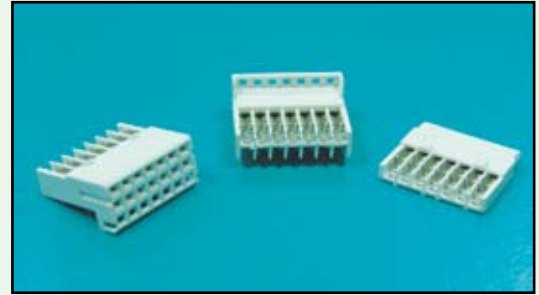
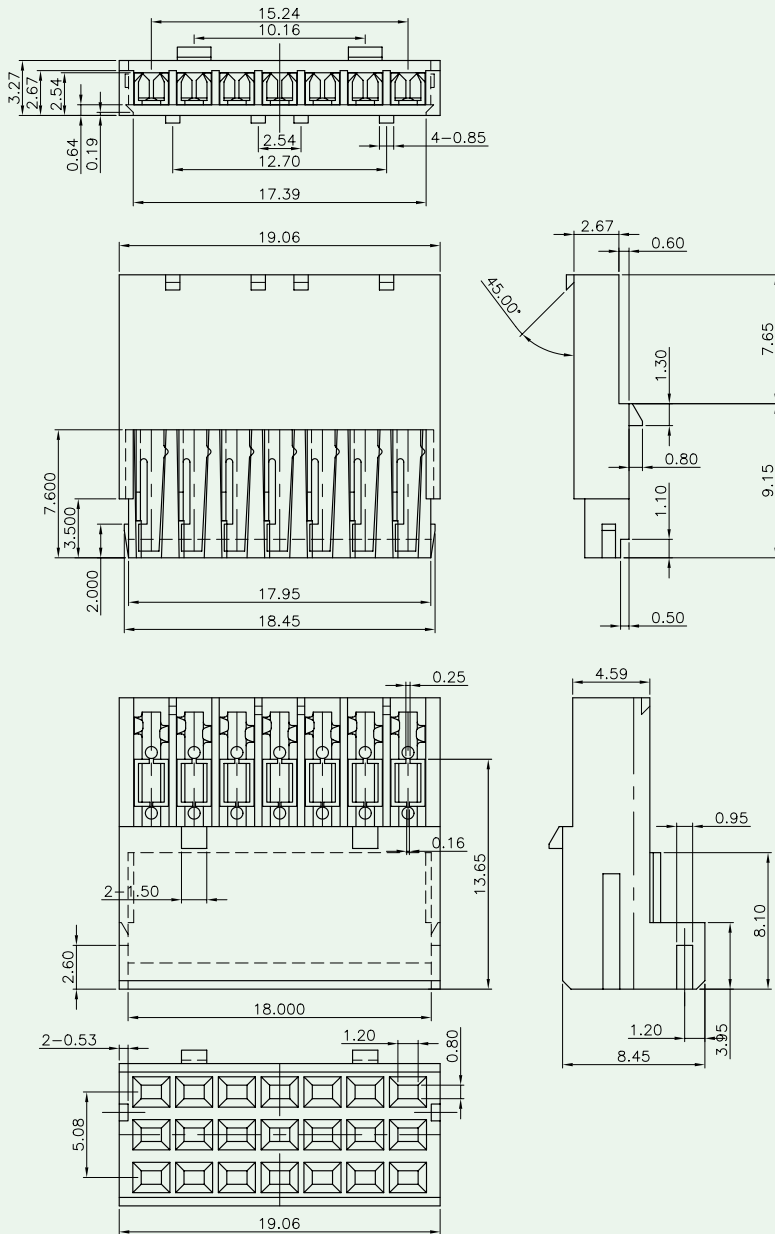
No. Of Pins
32 or 64

Gold Plating Options
3 = 30μ "
4 = 50μ "



IDC Connector For Telecom (Female, 21 Pins)

KINSUN



Inseparable
(590201080600)

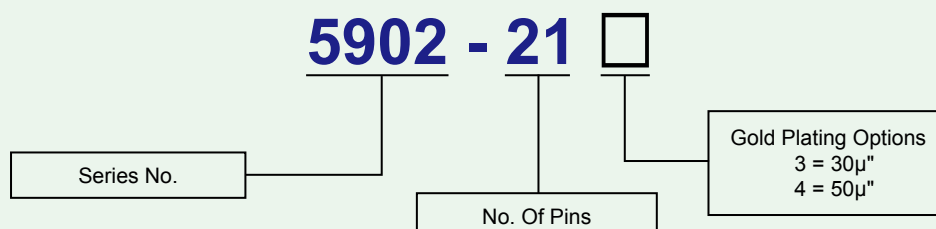
Inseparable
(590203140600)

Materials

- **Insulator** : Engineering Thermoplastic.
Flammability Rating UL 94V-0.
- **Pins** : 0.25mm Thickness Phosphor Bronze.
- **Plating** : Gold Plating Over Nickel In Contact Area.
Tin Plating Over Nickel In Other Area.



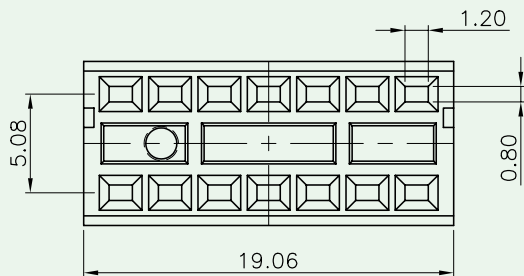
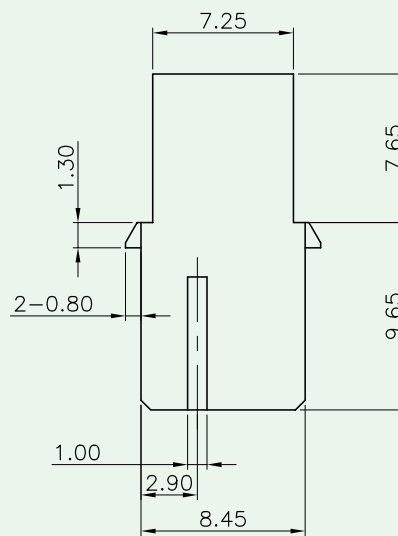
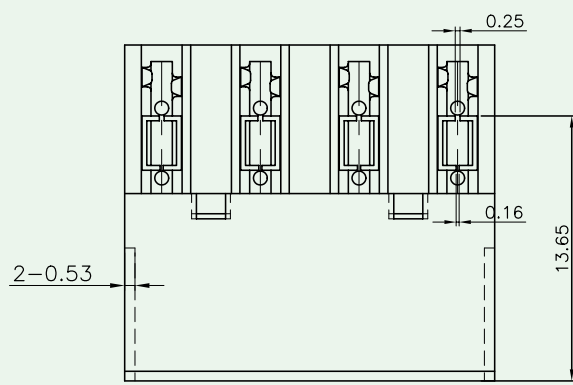
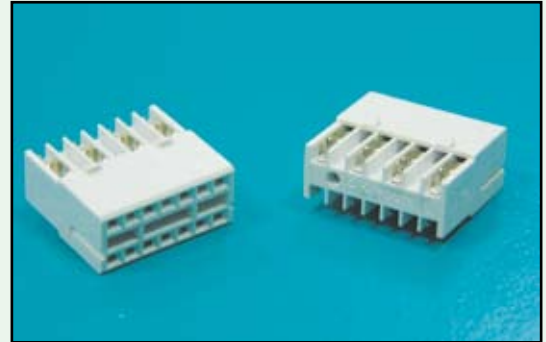
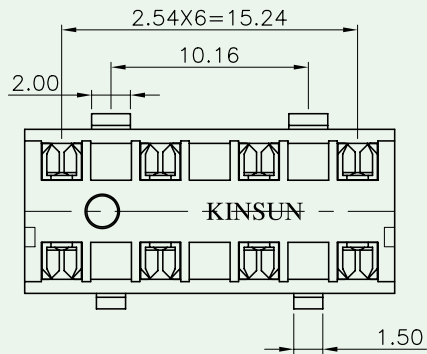
Ordering Information





IDC Connector For Telecom (Female, 8 & 14 Pins)

KINSUN

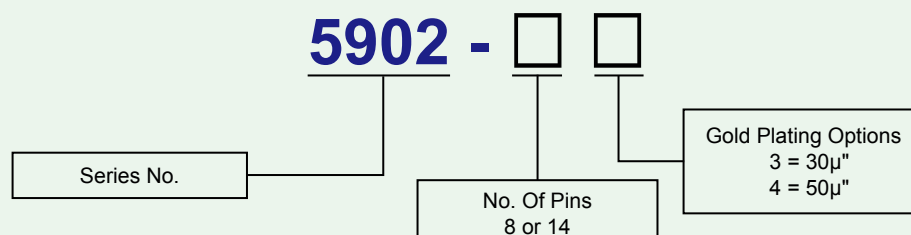


Materials

- **Insulator** : Engineering Thermoplastic.
Flammability Rating UL 94V-0.
- **Pins** : 0.25mm Thickness Phosphor Bronze.
- **Plating** : Gold Plating Over Nickel In Contact Area.
Tin Plating Over Nickel In Other Area.



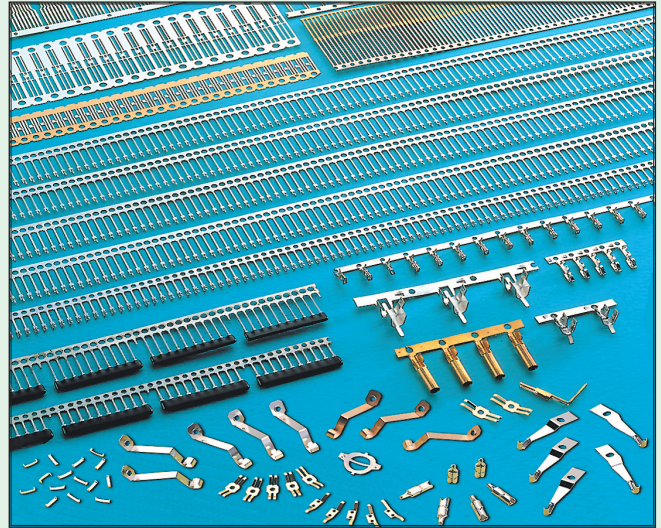
Ordering Information





Our Speciality :

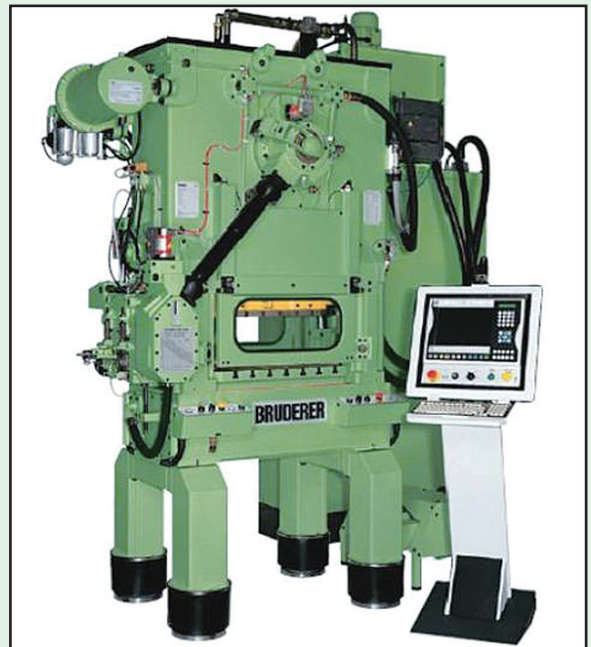
- Lead Frame For Resistor
- Lead Frame For LED
- Terminal For Switch
- Metal Part For Communication
- Terminal For Mobile Phone
- Spring For Battery



**Kinsun also provides OEM/ODM service.
Any new project from design to mass production.**

Bruderer :

- High performance stamping press
- Perfect mass balancing system
- Press force 200 kN
- Speeds ranging from 100 to 2000 spm



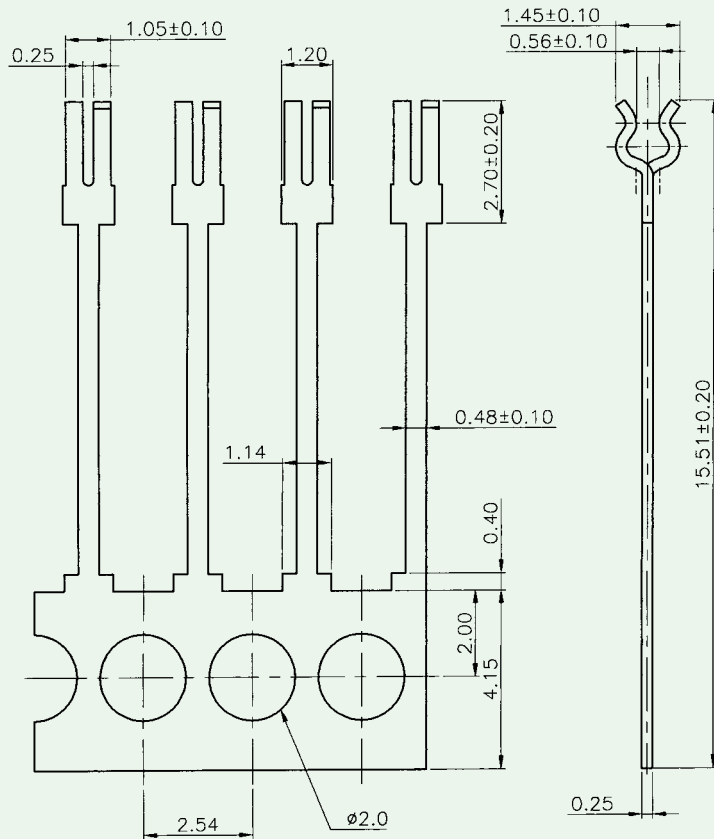
We have the highest level stamping press Bruderer to ensure maximum productivity and optimum quality.



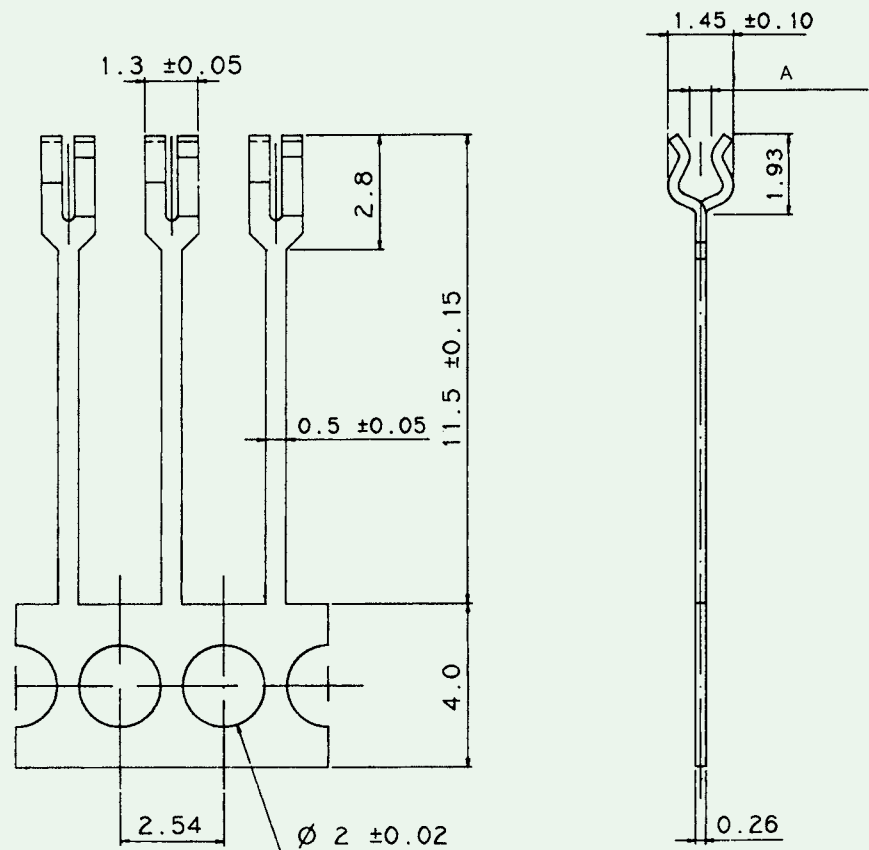
Stamping Part For Resister

KINSUN

S1200 Series



S1202 Series



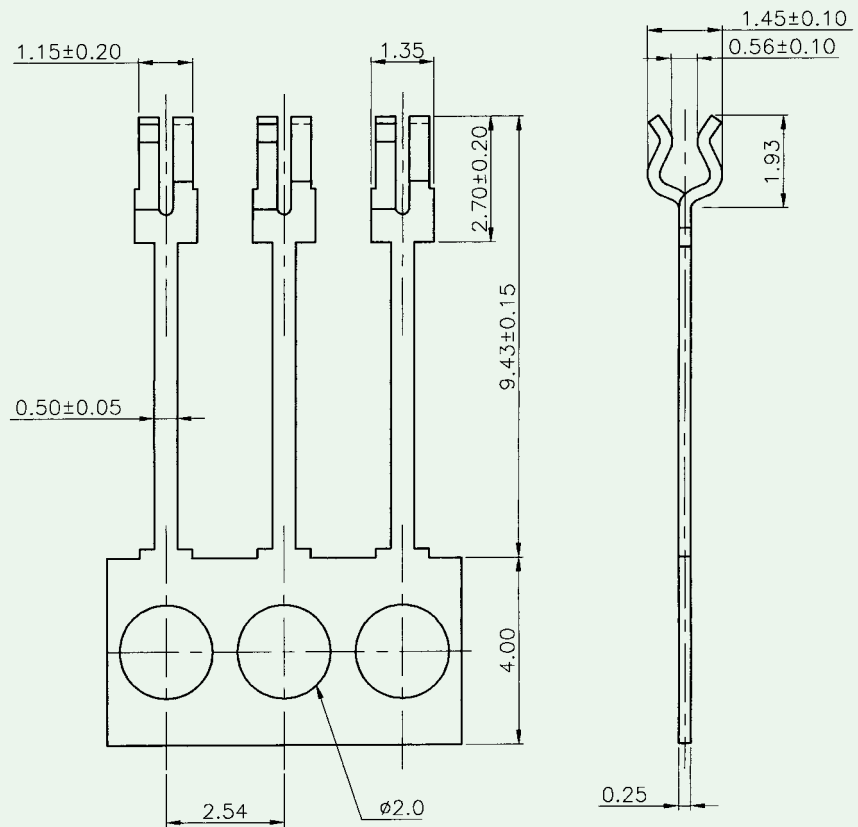
Dimension	A
Substrate	
0.8	0.7
1.0	0.9



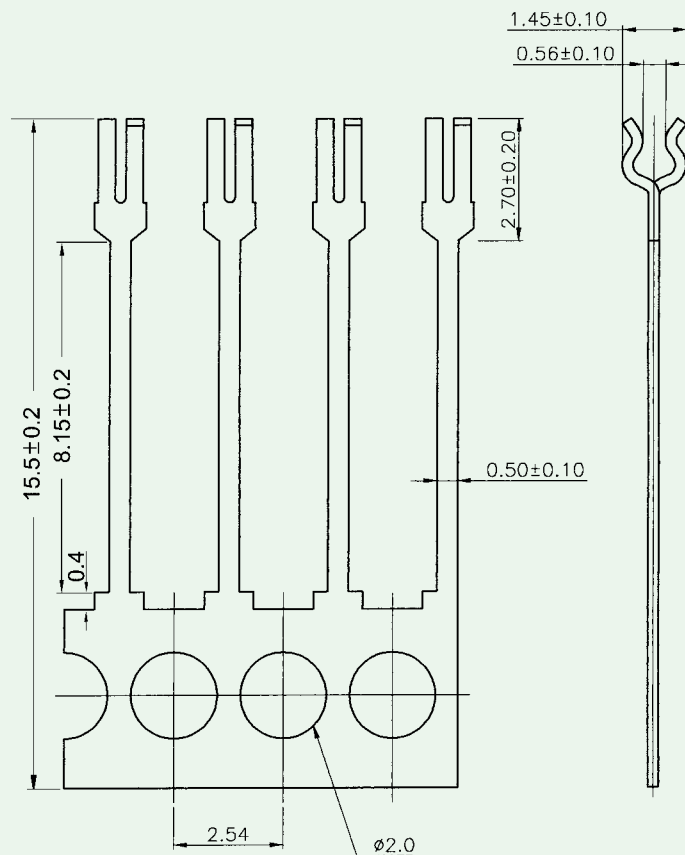
Stamping Part For Resister

KINSUN

S1203 Series



S1204 Series

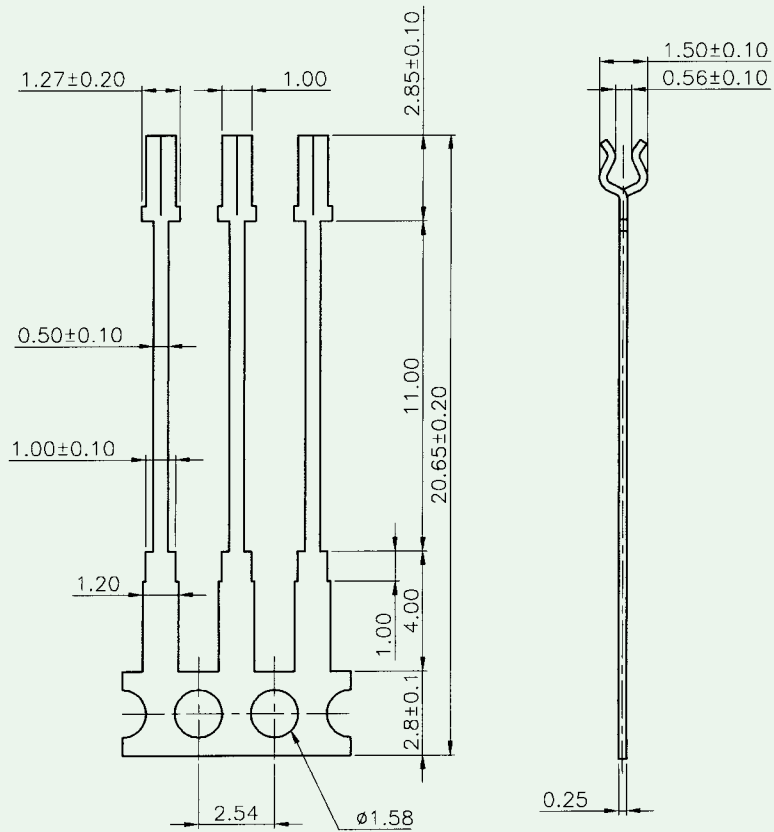




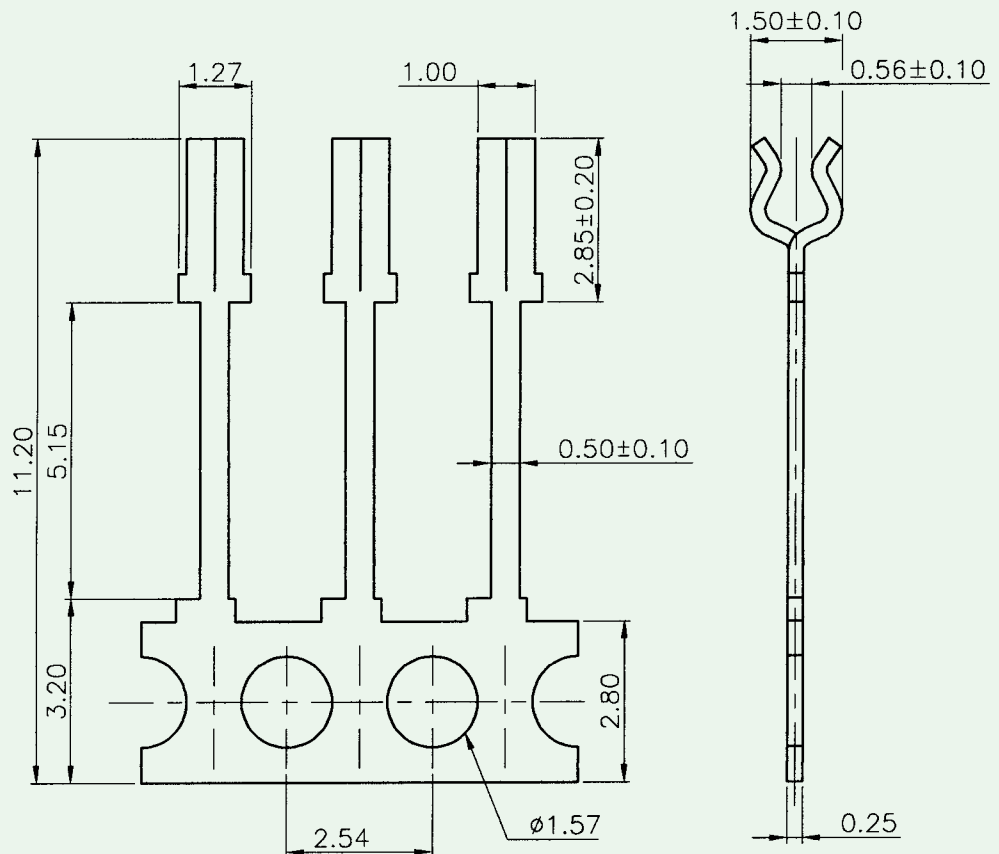
Stamping Part For Resister

KINSUN

S1205 Series



S1208 Series

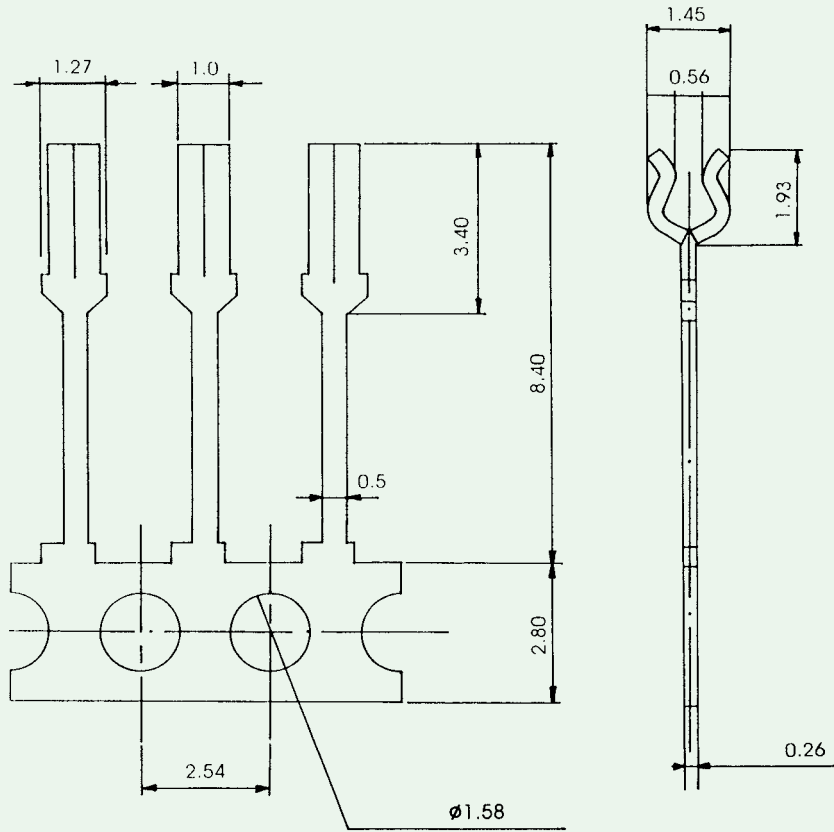




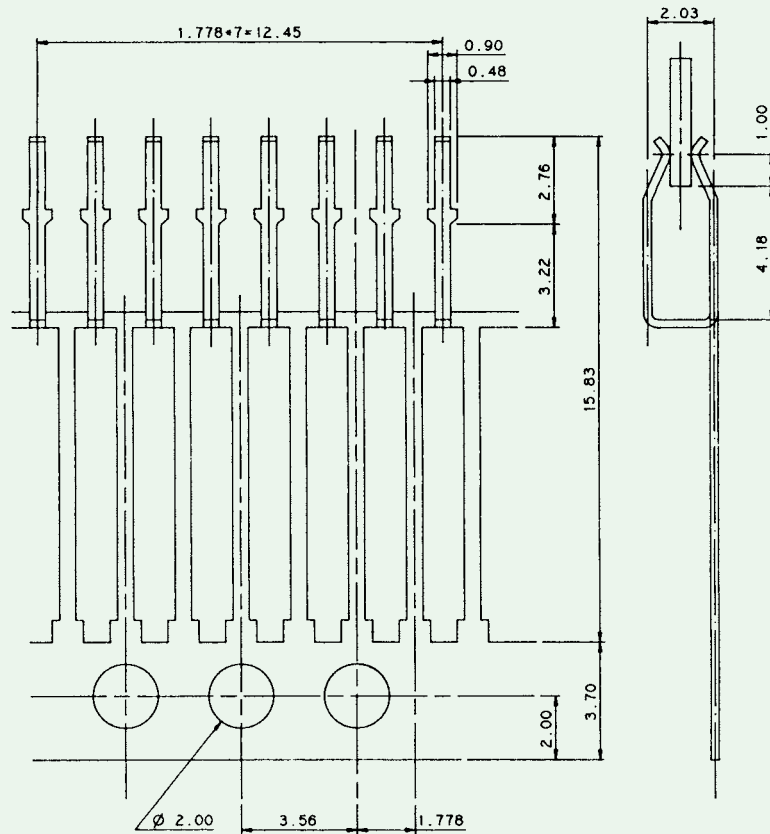
Stamping Part For Resister

KINSUN

S1209 Series



S1211 Series

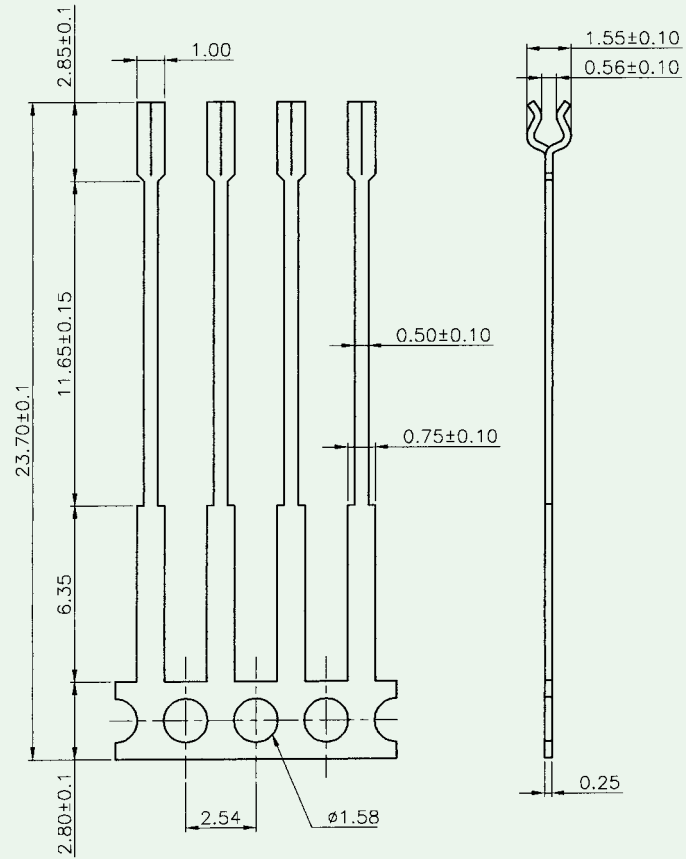




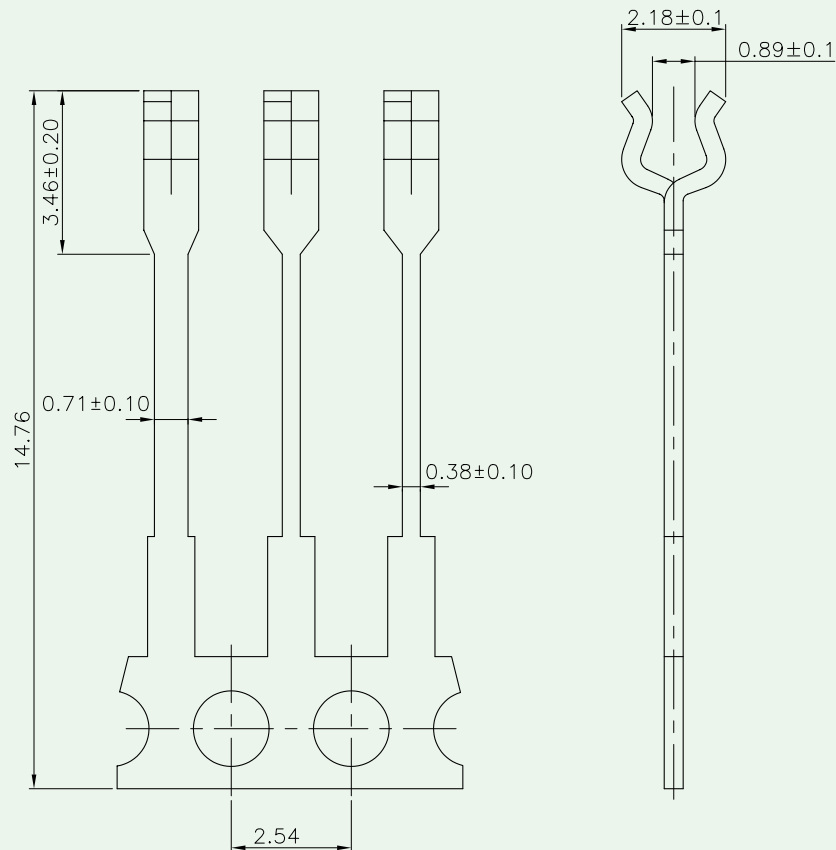
Stamping Part For Resister

KINSUN

S1212 Series



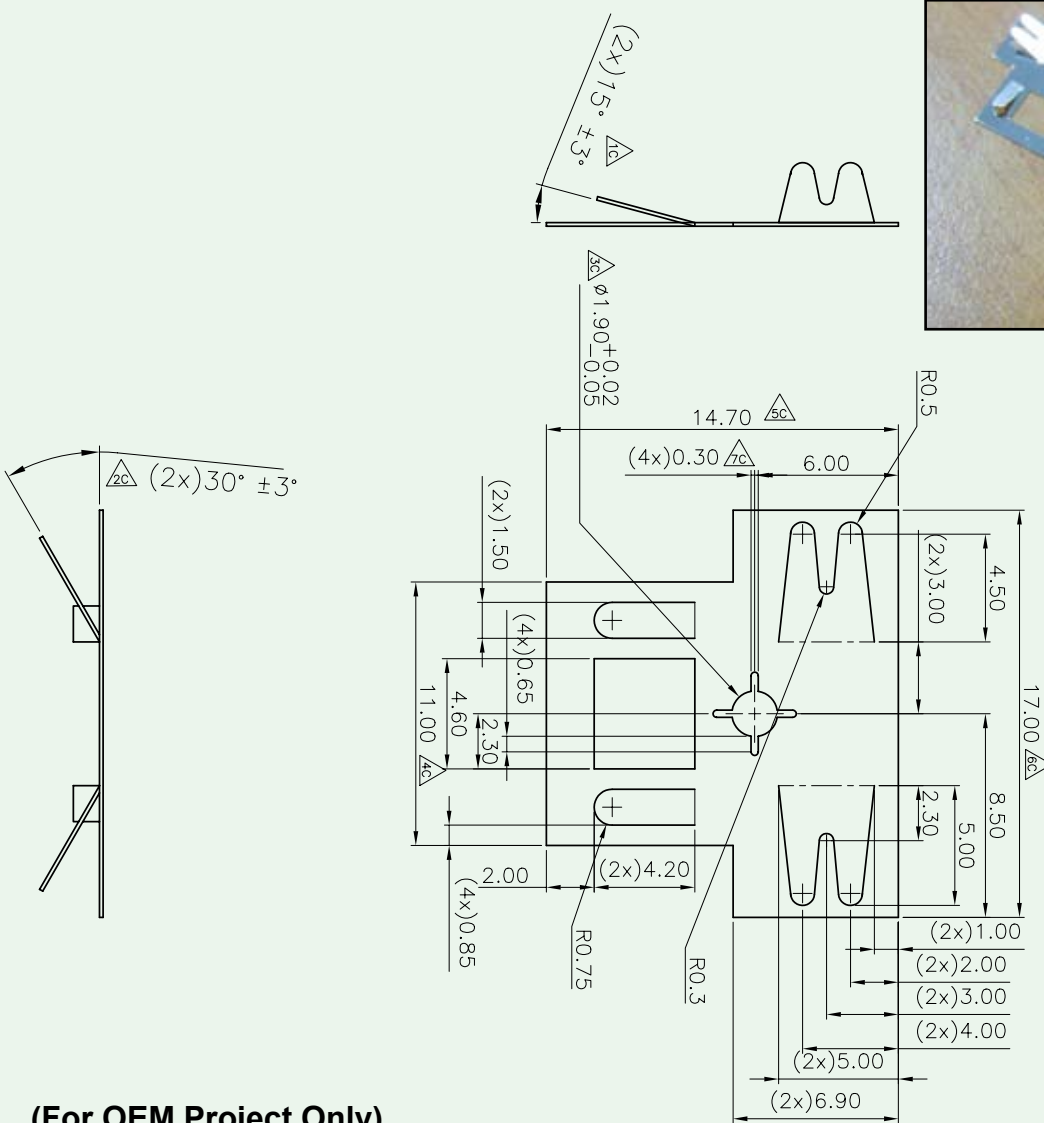
S1215 Series





Stamping Part For Battery Charger

KINSUN



(For OEM Project Only)

Materials

- **Material** : C5191-H 0.15tX20.7wX18.0p Nickel plated 3um.
- **Tolerance** : ± 0.05 .



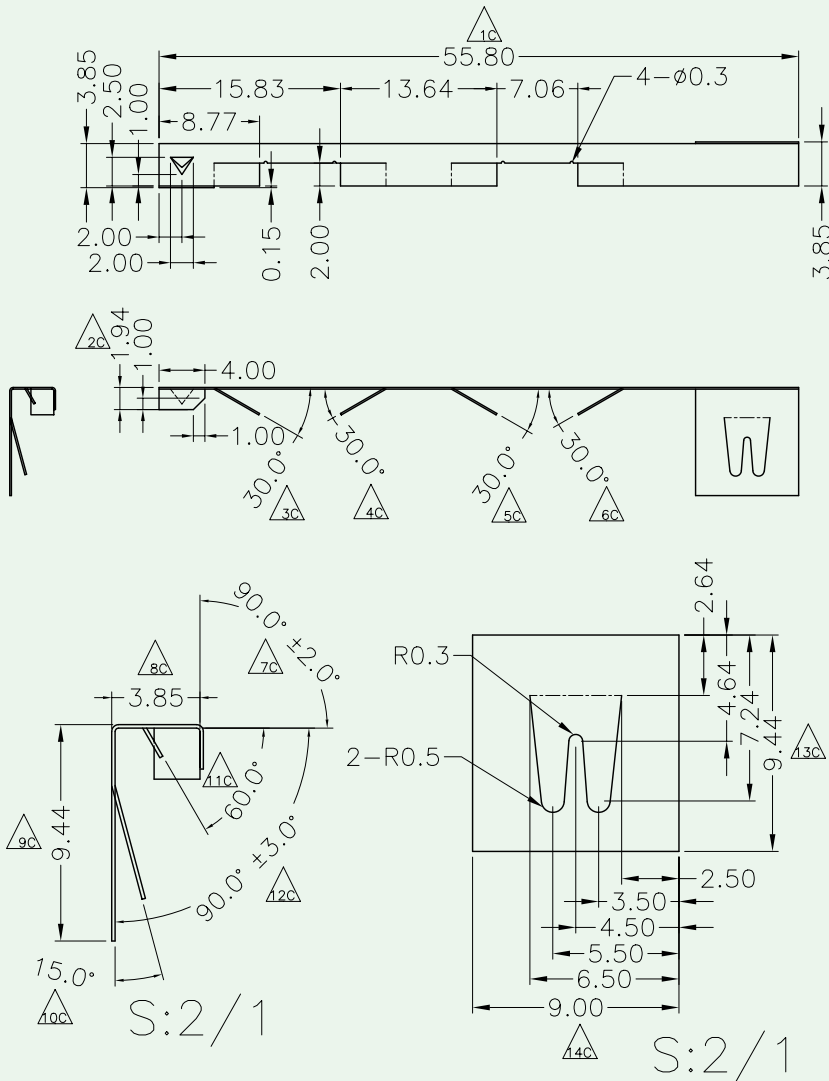
Ordering Information

S1007 Series



Stamping Part For Battery Charger

KINSUN



(For OEM Project Only)

Materials

- **Material** : C5191-H 0.15tX65wX21.5p Nickel plated 3um.
- **Tolerance** : ± 0.05 .



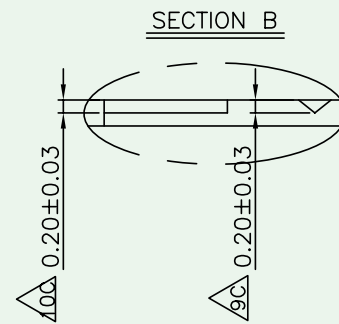
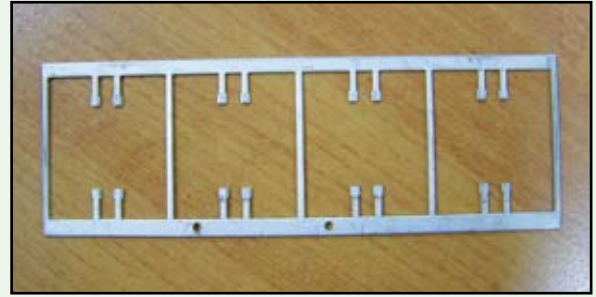
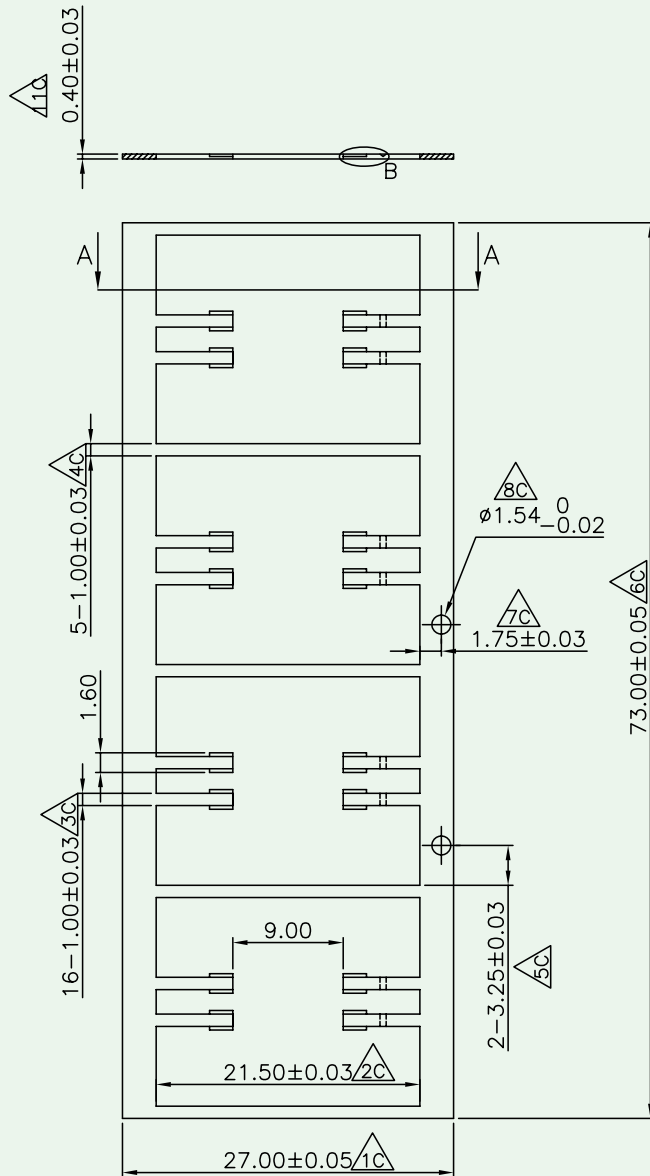
Ordering Information

S1008 Series



Stamping Part For Bobbin

KINSUN



(For OEM Project Only)

Materials

- **Material** : CuZn (65% Cu, 35% Zn) Hardness : HV 154.
- **Plating** : Nikel (Dull) 2 to 4 um, Tin / Lead 90 / 10 (Dull) 10 um.
- **Tolerance** : ±0.05.



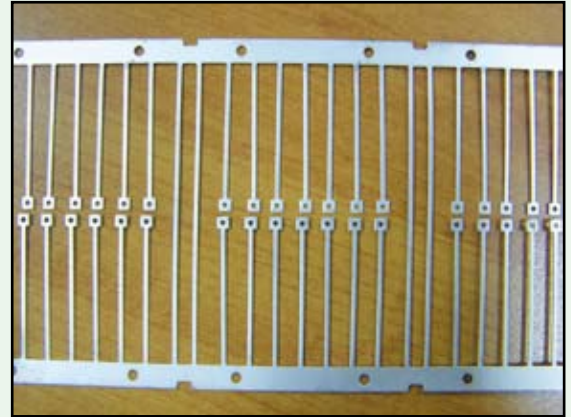
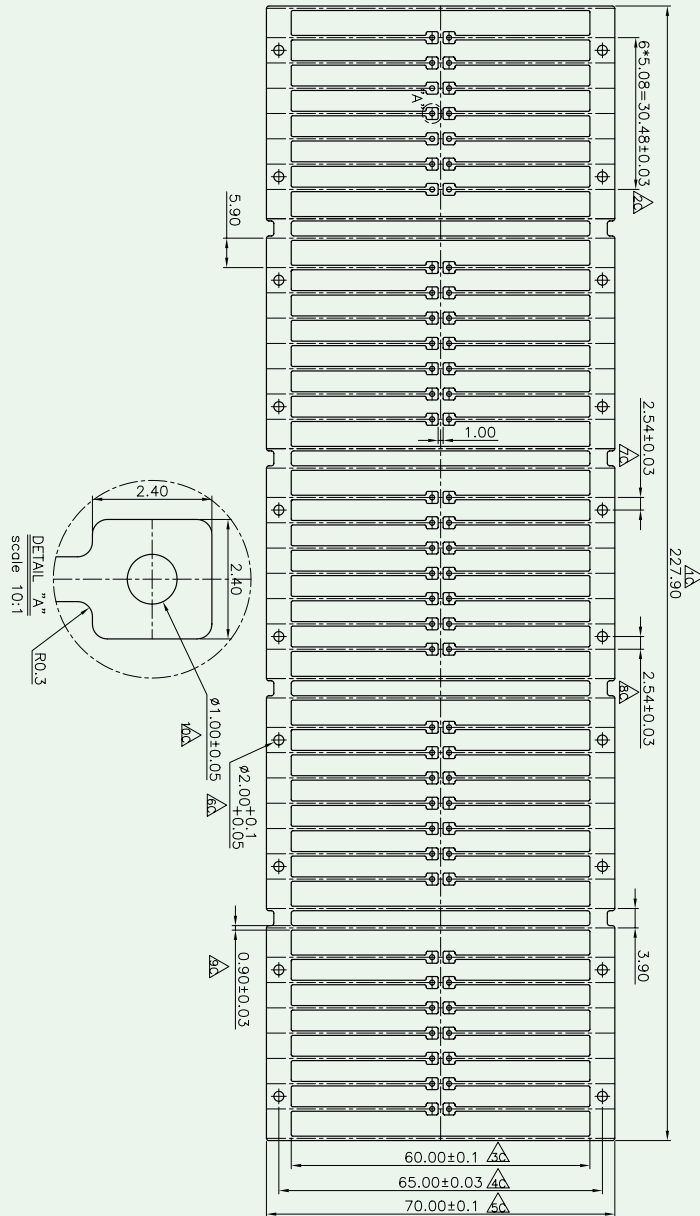
Ordering Information

S1005 Series



Stamping Part For Bobbin

KINSUN



(For OEM Project Only)

Materials

- **Material** : CuZn 36 (65% Cu, 35% Zn) Hardness : HV 154.
Thickness : 0.4mm.
- **Plating** : Tin(10-15um) Over Nickel(2-4 um) 鍍霧面(dull, Lead Free).



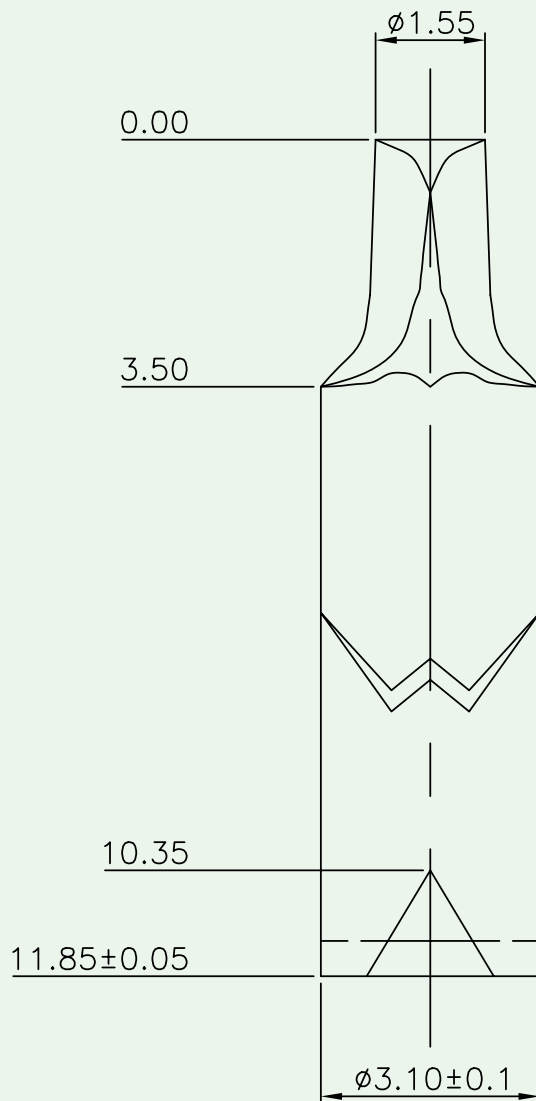
Ordering Information

S1216 Series



Stamping Part

KINSUN



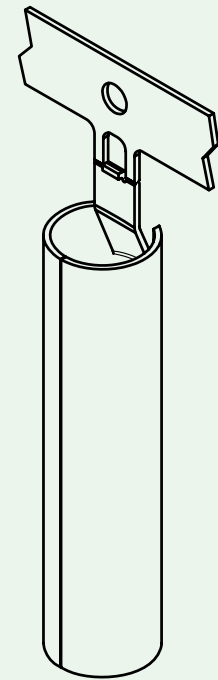
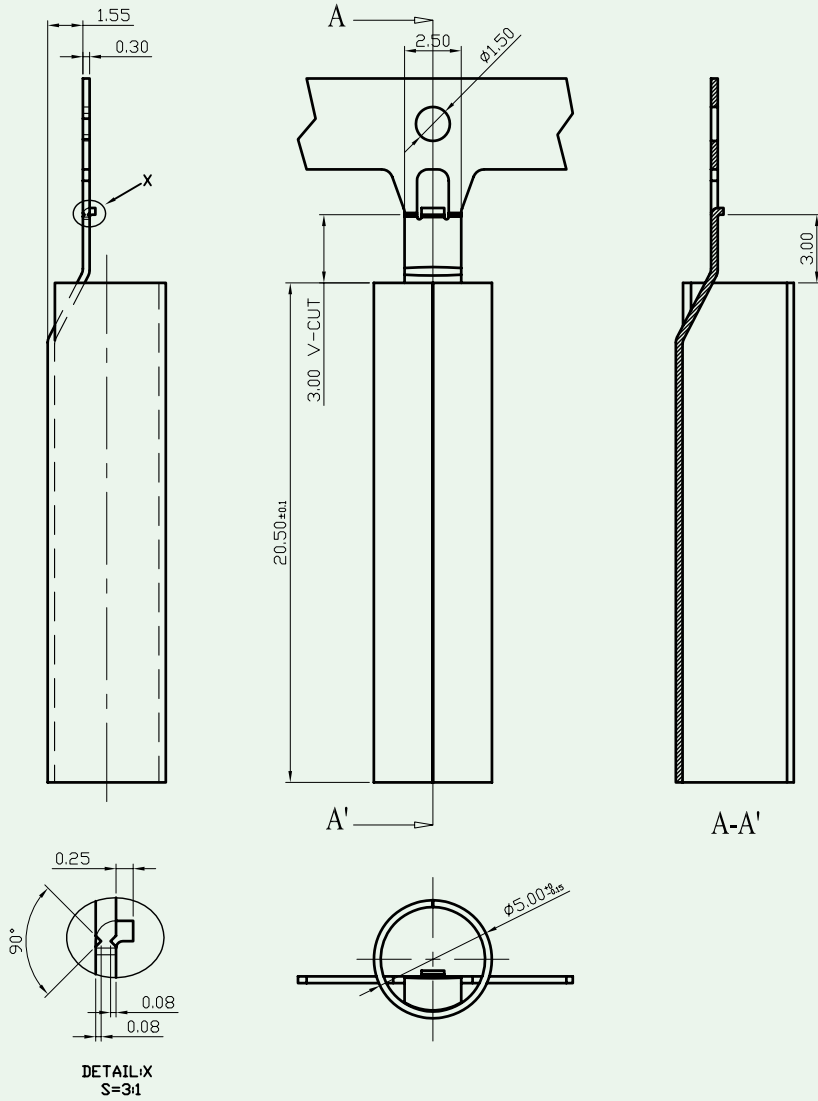
Materials

- **Material** : 0.35mm Thickness Phosphor Bronze.
- **Plating** : Tin Plating Over Nickel.



Ordering Information

A121808010



Materials

- **Materials** : Phosphor Bronze.



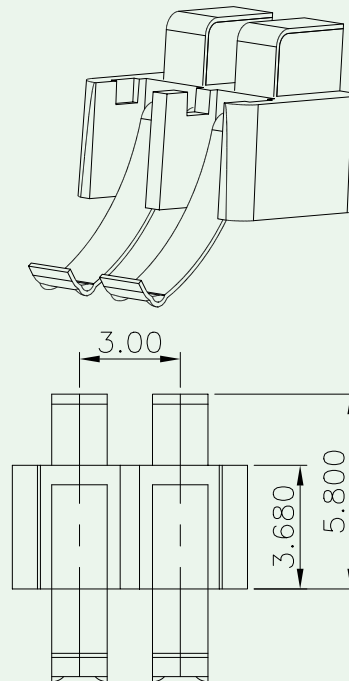
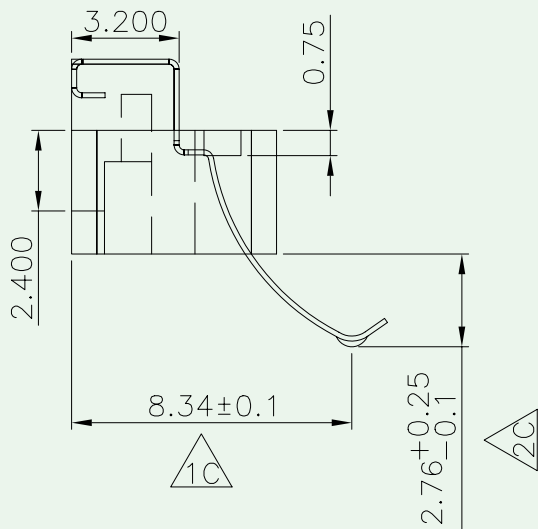
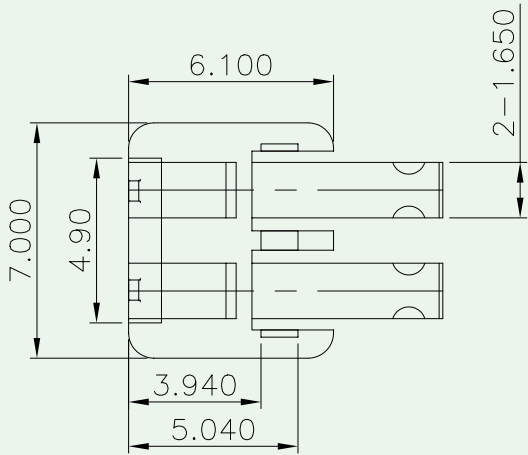
Ordering Information

S6602 Series



Connector For Telecommunication

KINSUN



(For OEM Project Only)

Materials

- **Material** : Housing : NY66 Black
Terminal : 0.15mm Thickness Phosphor Bronze
Finish : Nickel All Over



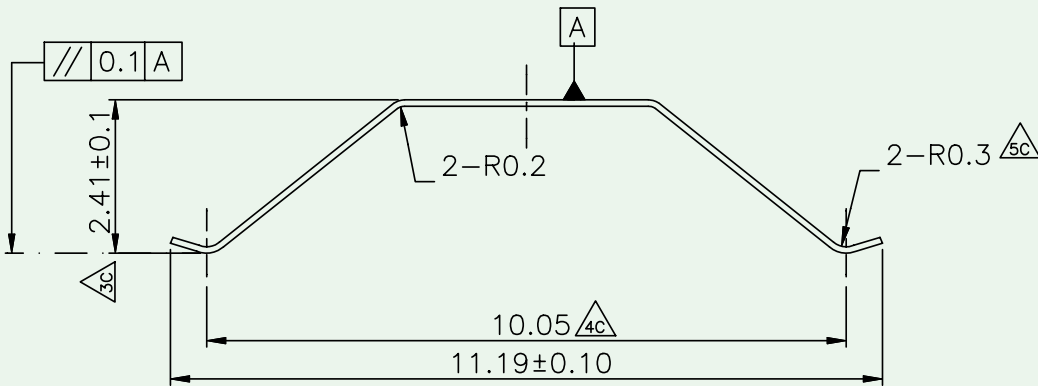
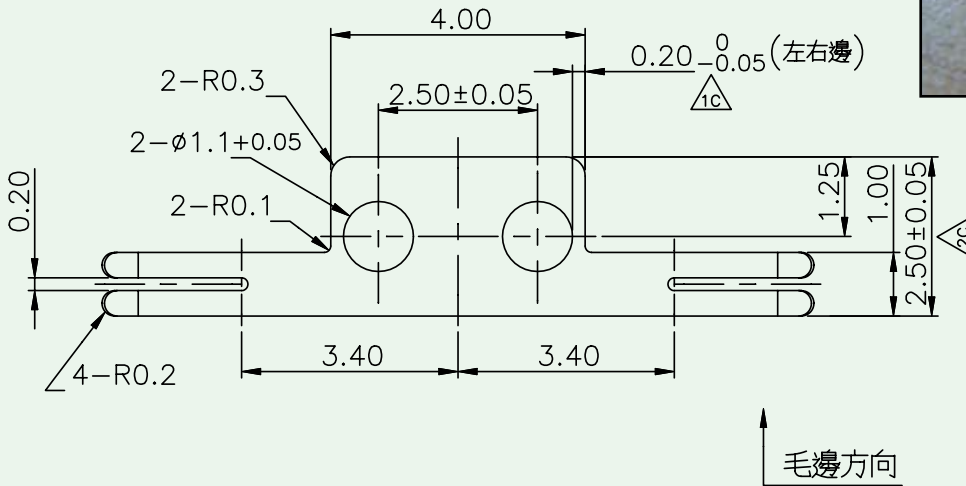
Ordering Information

1705 Series



Stamping Part For Battery Charger

KINSUN



(For OEM Project Only)

Materials

- **Material** : Pbsp + Sh 0.1t*9w*15pitch



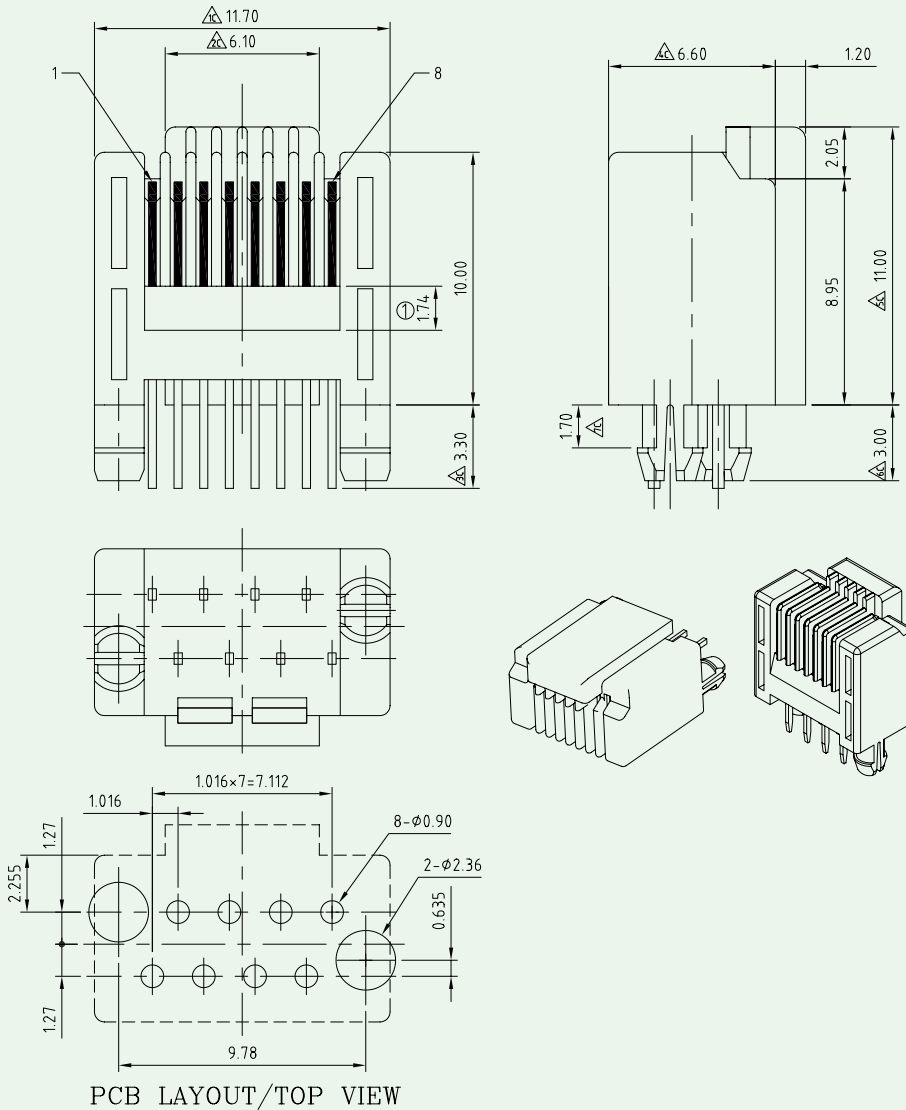
Ordering Information

S2116 Series



PCB PLUG

KINSUN



Materials

- **Plastic Housing** : High Temp. Thermoplastic Flammability Rating UL 94V-0.
- **Contacts** : Brass
- **Plating** : Gold Plating Over Nickel In Contact.
Tin Plating Over Nickel In Solder Area.



Ordering Information

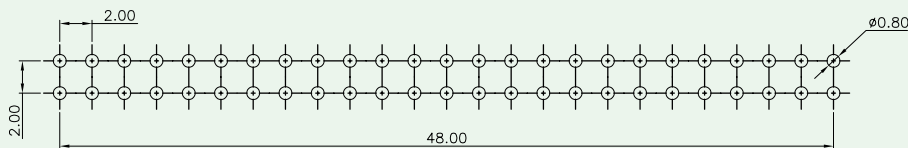
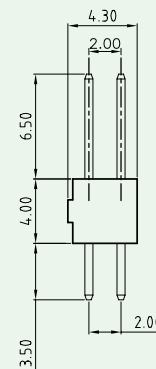
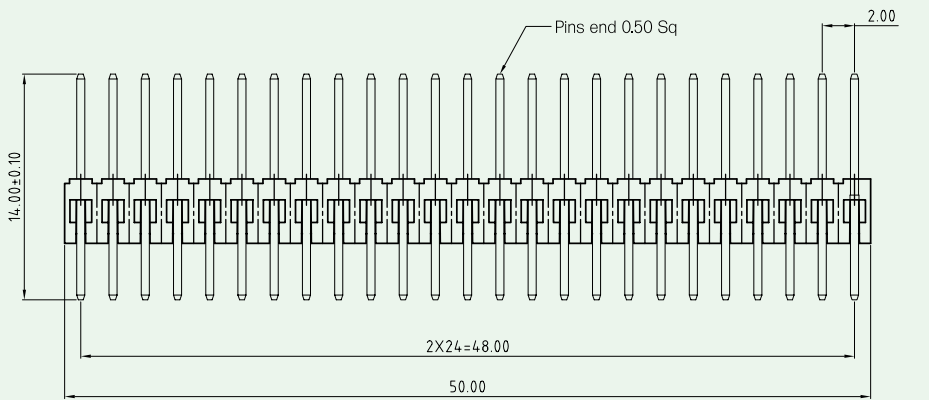
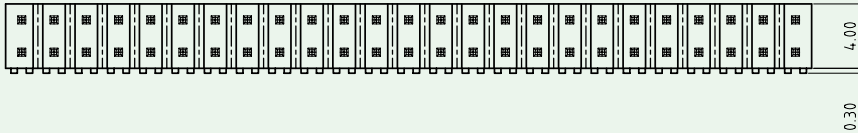
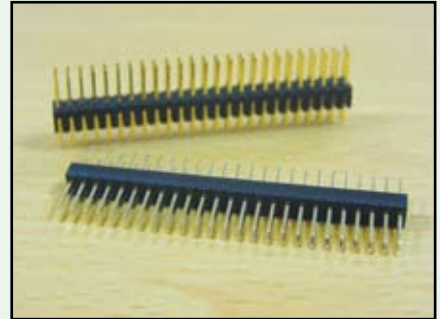
3711 Series



Pin Header

KINSUN

- 2.00mm, Male, Dual Row, Straight Type, 50 Pins.



PCB Layout / Top View

Materials

- **Insulator** : Engineering Thermoplastic.
Flammability Rating UL 94V-0.
- **Pins** : 0.50mm Square Brass With Gold Flash Plated.



Ordering Information

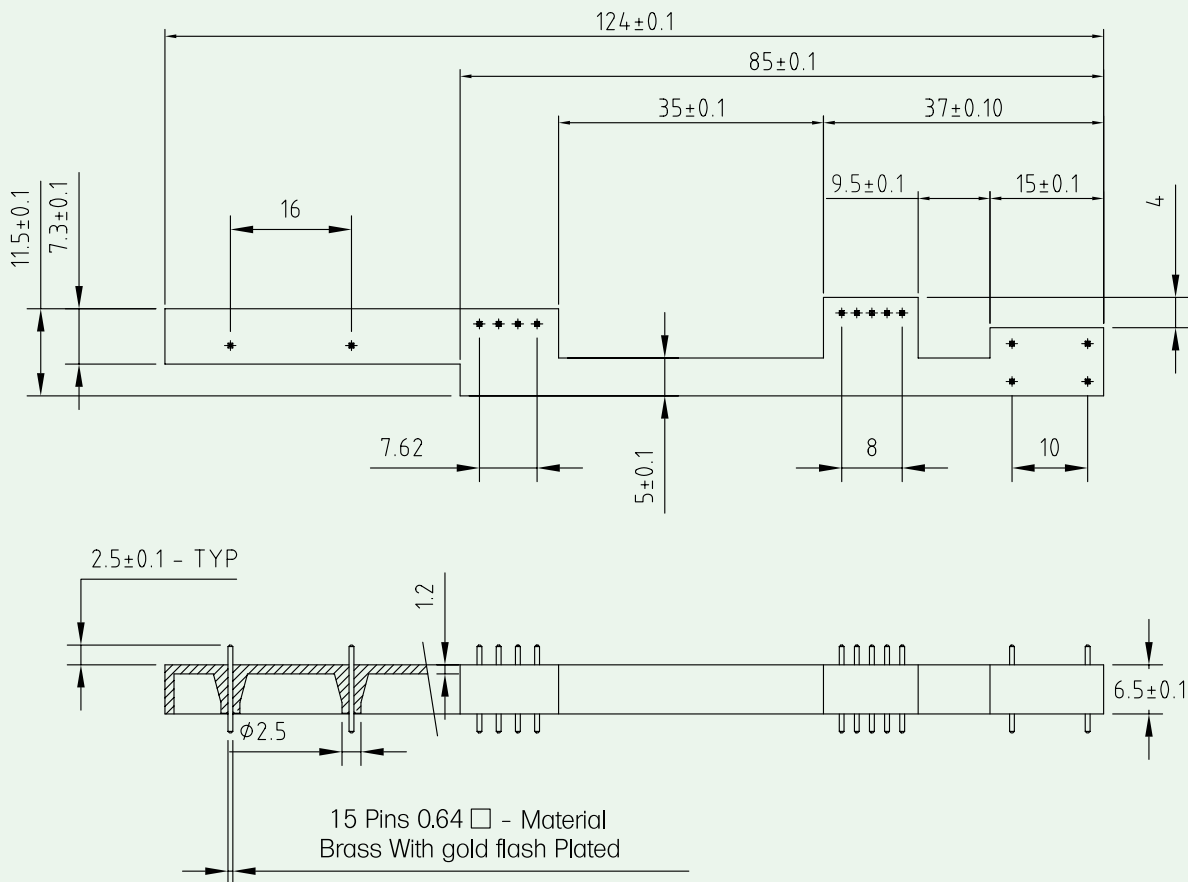
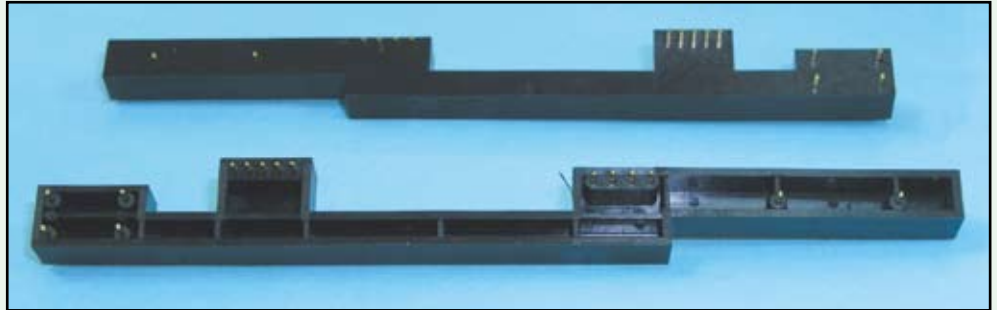
5004 Series

- Other Options Will Be Available Under Your Request!



Pin Header (Bridge Connector)

KINSUN



Materials

- **Insulator** : Engineering Thermoplastic.
Flammability Rating UL 94V-0.
- **Pins** : 0.64mm Square Brass With Gold Flash Plated.



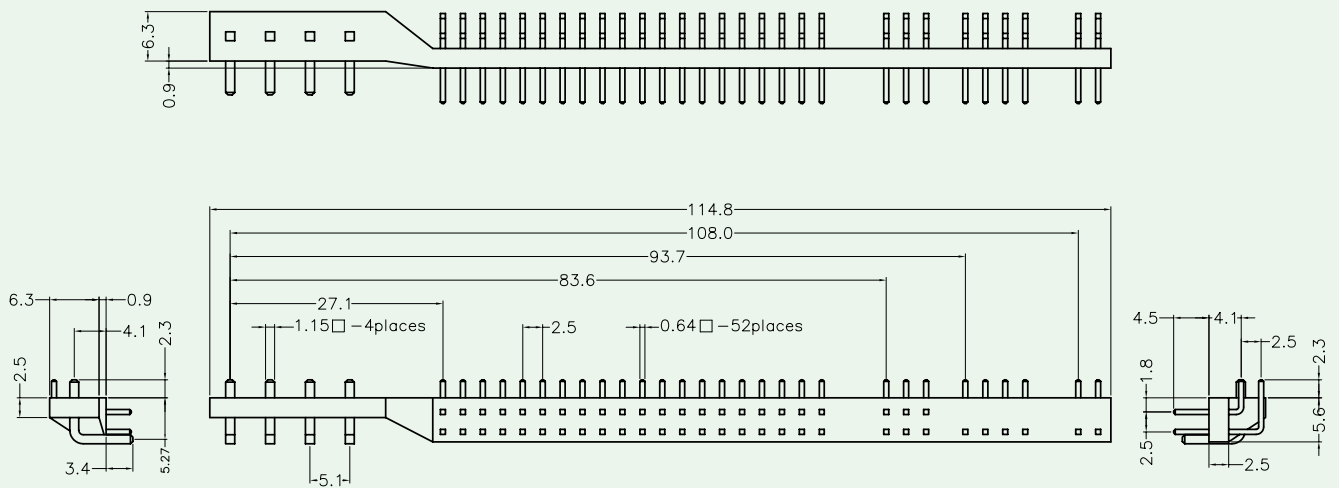
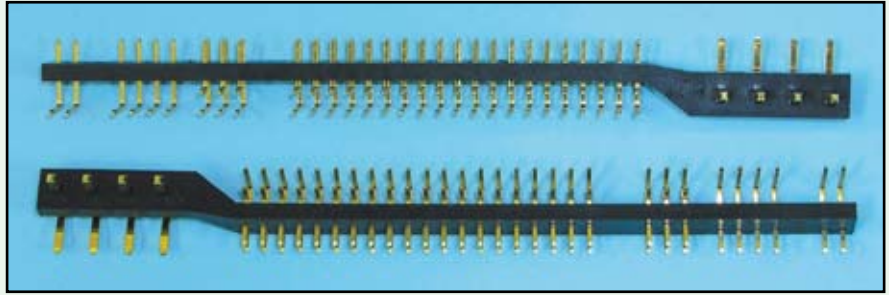
Ordering Information

5005011500



Pin Header (IDE/Audio Connector)

KINSUN



Materials

- **Insulator** : Engineering Thermoplastic.
Flammability Rating UL 94V-0.
- **Pins** : 0.64mm Square Brass With Gold Flash Plated.
- **Power Pins** : 1.15mm Square Brass With Gold Flash Plated.



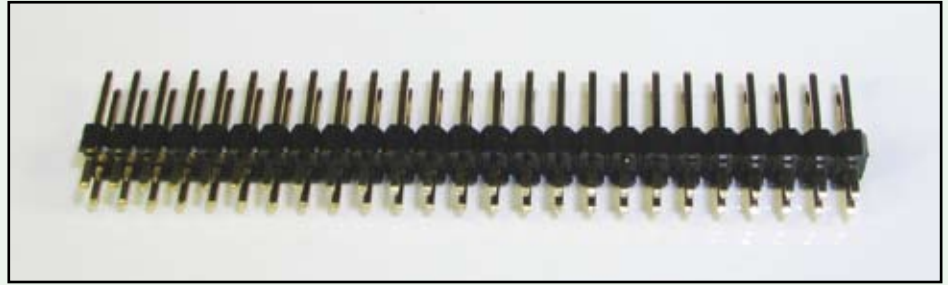
Ordering Information

5005015200

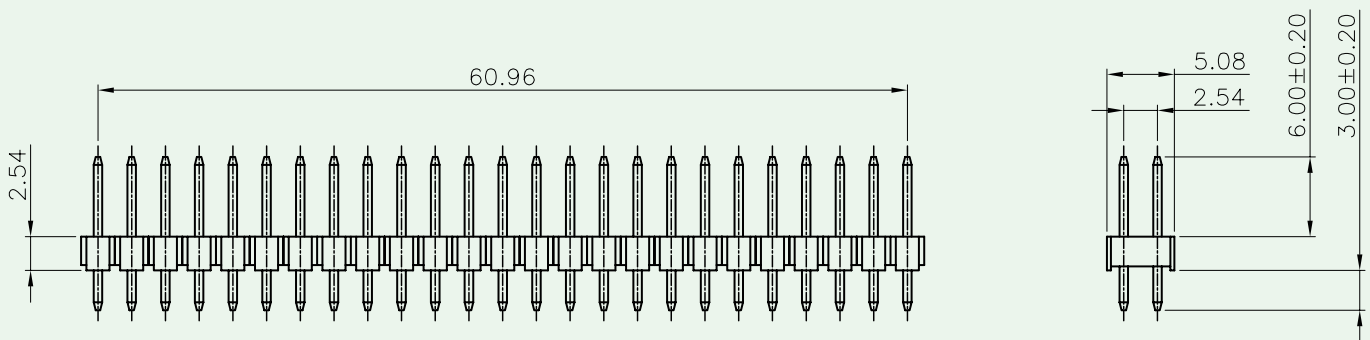
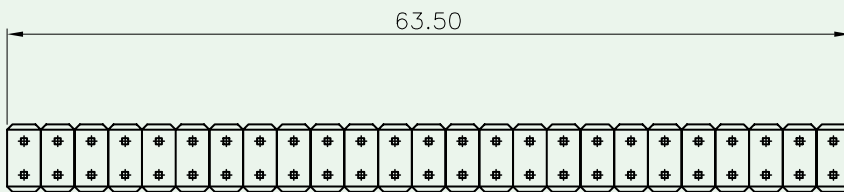


Pin Header

KINSUN



• **2.54mm, Male, Dual Rows, Straight Type, 4 To 80 Pins.**



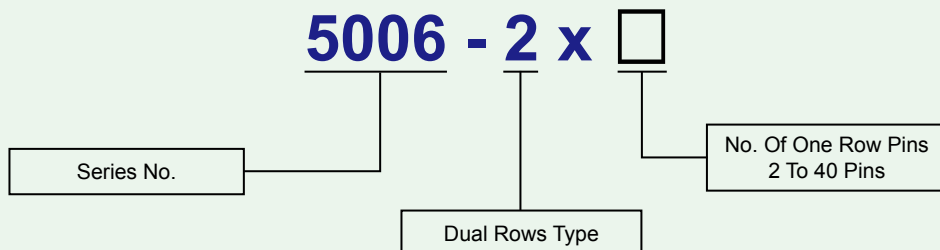
PCB Layout / Top View

Materials

- **Insulator** : Engineering Thermoplastic.
Flammability Rating UL 94V-0.
- **Pins** : 0.64mm Square Brass With Gold Flash Plated.



Ordering Information



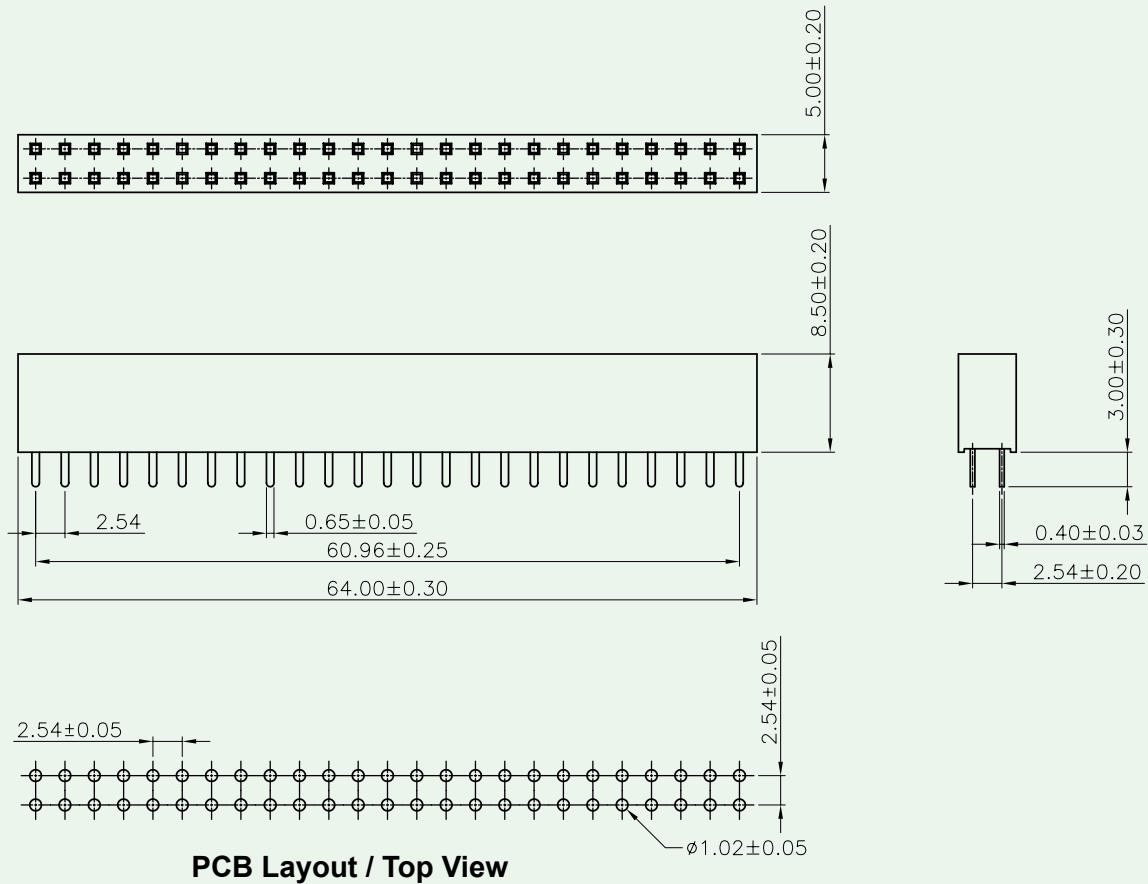


Pin Header

KINSUN



- 2.54mm, Female, Dual Rows, Straight Type, 4 To 80 Pins.

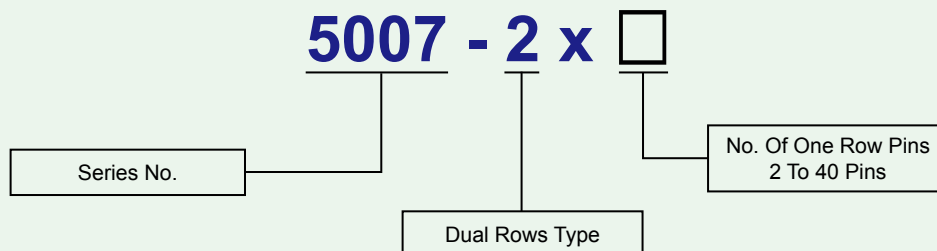


Materials

- **Insulator** : Engineering Thermoplastic.
Flammability Rating UL 94V-0.
- **Pins** : 0.65mm Square Brass With Gold Flash Plated.



Ordering Information

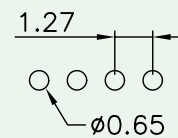
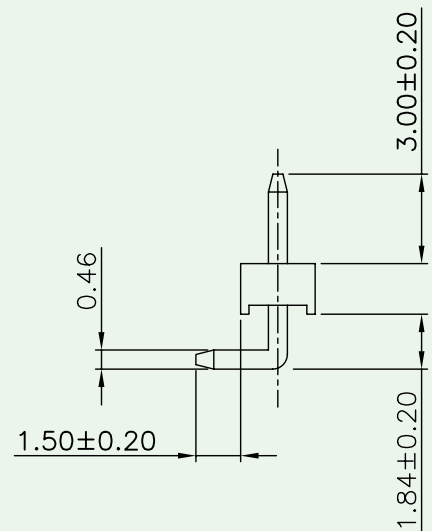
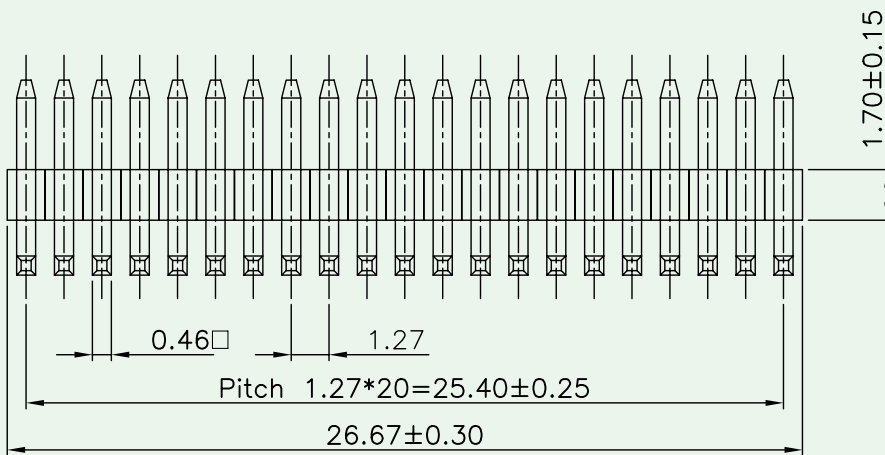
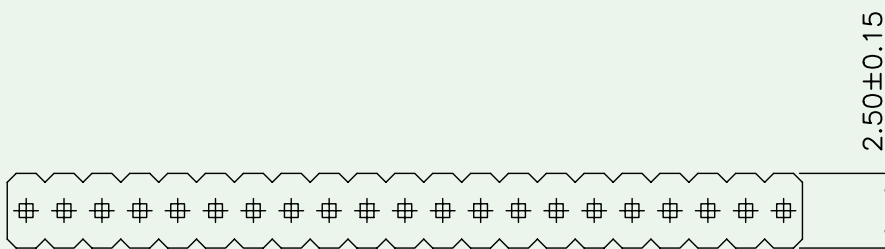
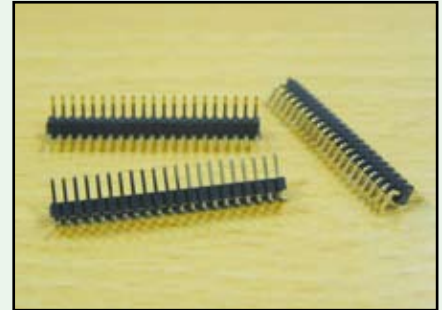




Pin Header

KINSUN

• 1.27mm, Male, Single Row, Right Angle Type, 2 To 40 Pins.



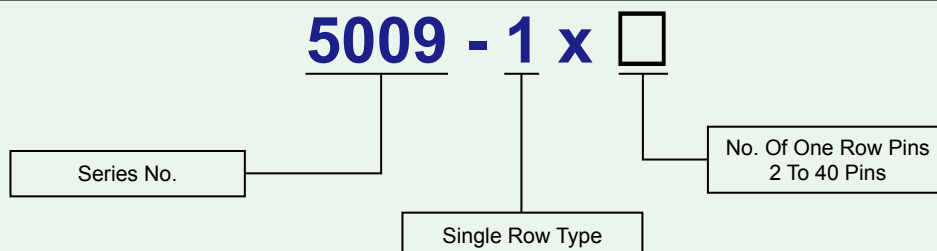
Recommended P.C.B Layout

Materials

- **Insulator** : High Temp. Thermoplastic.
Flammability Rating UL 94V-0.
- **Pins** : 0.46mm Square Brass With Gold Flash Plated.



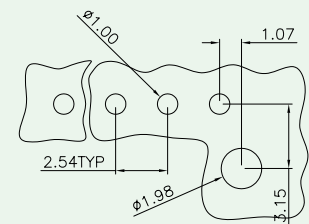
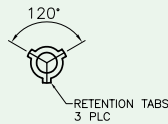
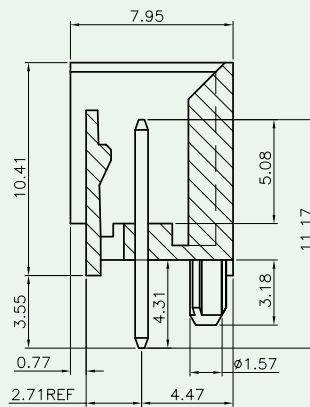
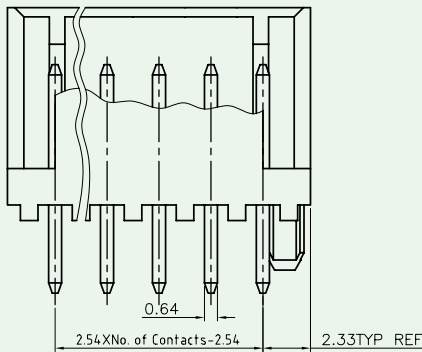
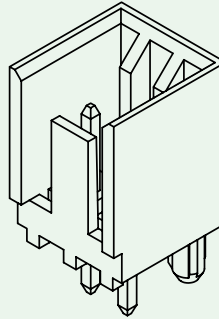
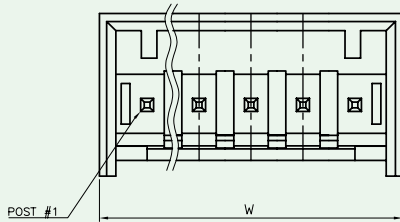
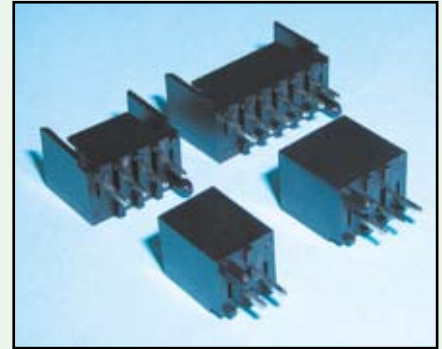
Ordering Information





Shrouded Pin Header

KINSUN



Recommended Mounting Hole Pattern
For .063 THK Printed Circuit Board

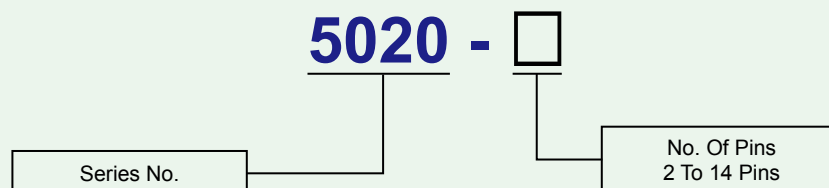
W(MM)	NO OF POSITIONS
37.69	14
35.15	13
32.61	12
30.07	11
27.53	10
24.99	9
22.45	8
19.91	7
17.37	6
14.83	5
12.29	4
9.75	3
7.21	2

Materials

- **Housing** : Engineering Thermoplastic.
Flammability Rating UL 94V-0.
- **Pins** : 0.64mm Square Brass with Tin Plated Over Nickel.



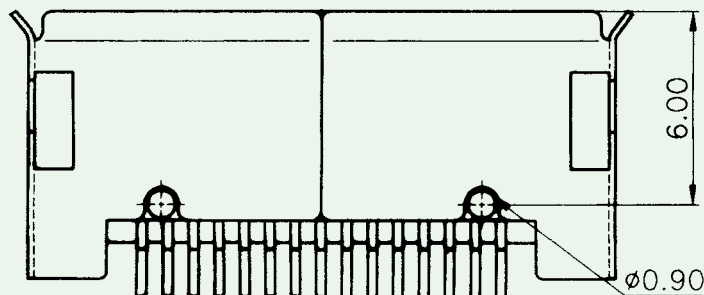
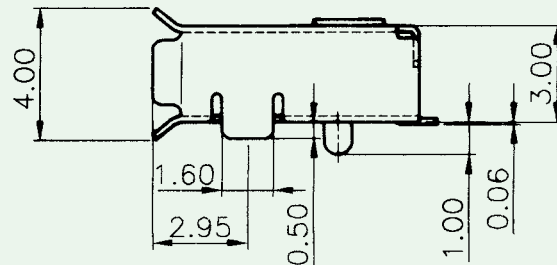
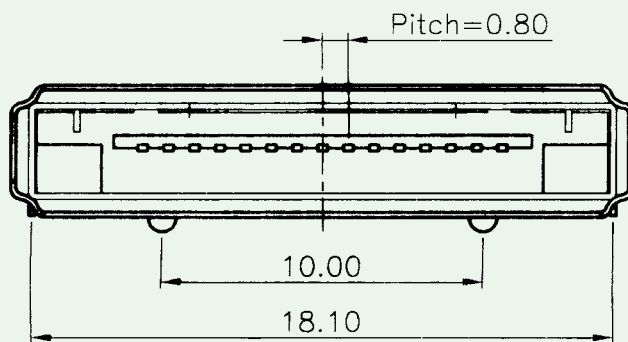
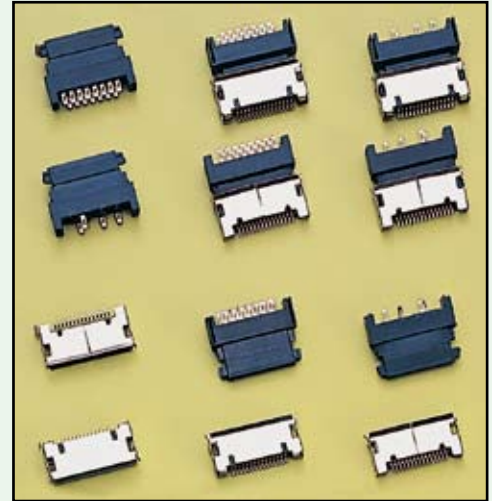
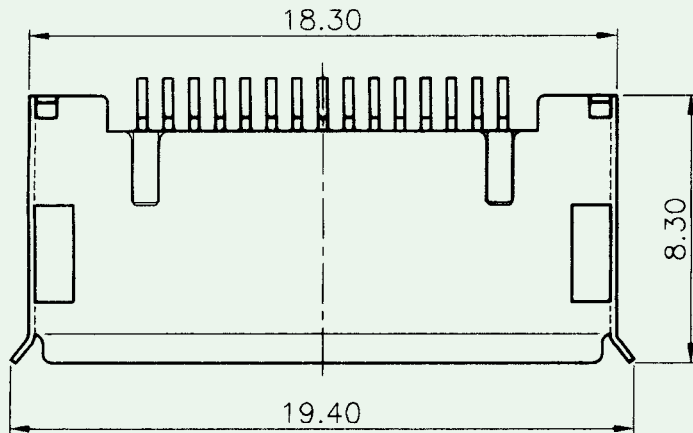
Ordering Information





Mobile Phone Connector

KINSUN



Materials

- **Shield** : 0.2mm Thickness Copper Alloy With Tin Plated.
- **Insert** : Engineering Thermoplastic.
Flammability Rating UL 94V-0.
- **Contacts** : 0.2mm Thickness Brass.
Gold Plating Over Nickel In Contact Area.
Tin Plating Over Nickel In Solder Area.



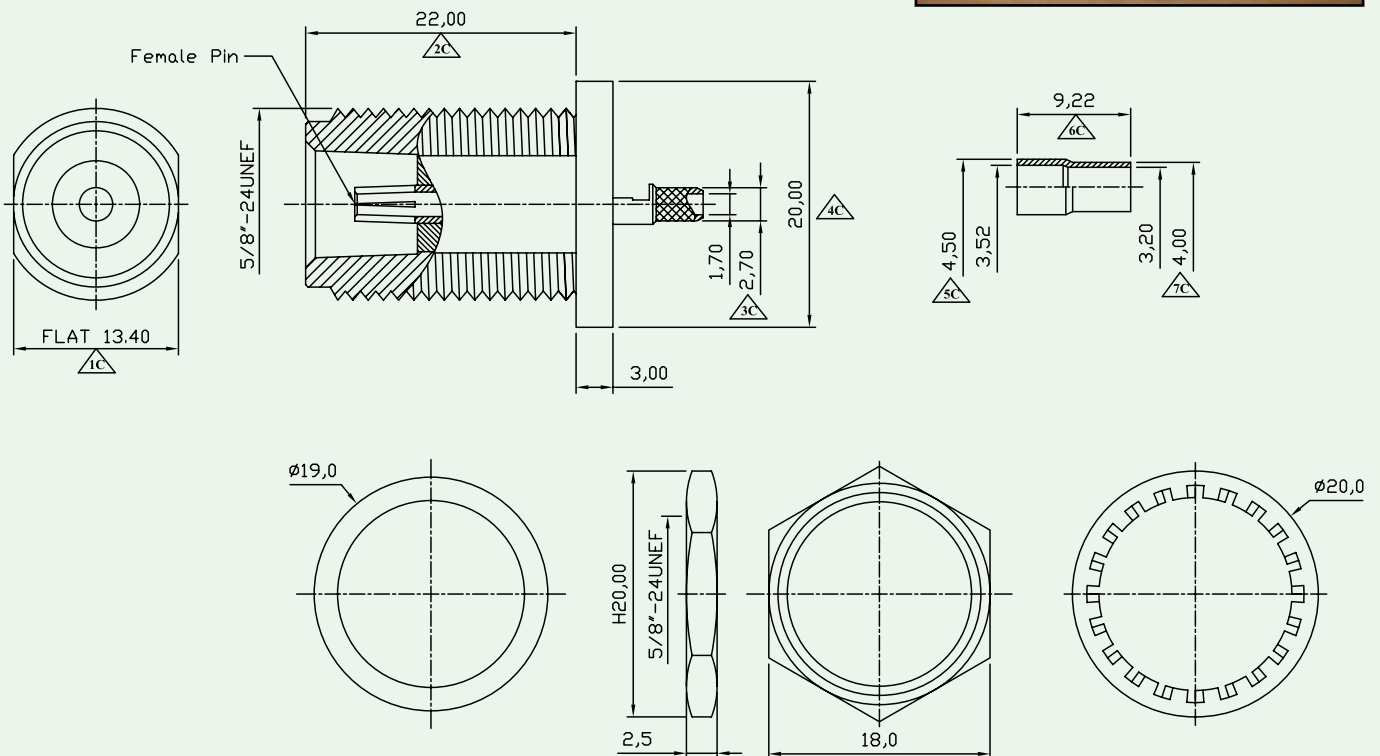
Ordering Information

6008 Series



N Connector For Cable

KINSUN



Materials

- **Body & Coupling nut** : brass with gold or nickel plating.
- **Inner Conductor** : brass / phosphor bronze with gold plating.
- **Outer Conductor** : brass with gold or nickel plating.
- **Insulation** : Teflon



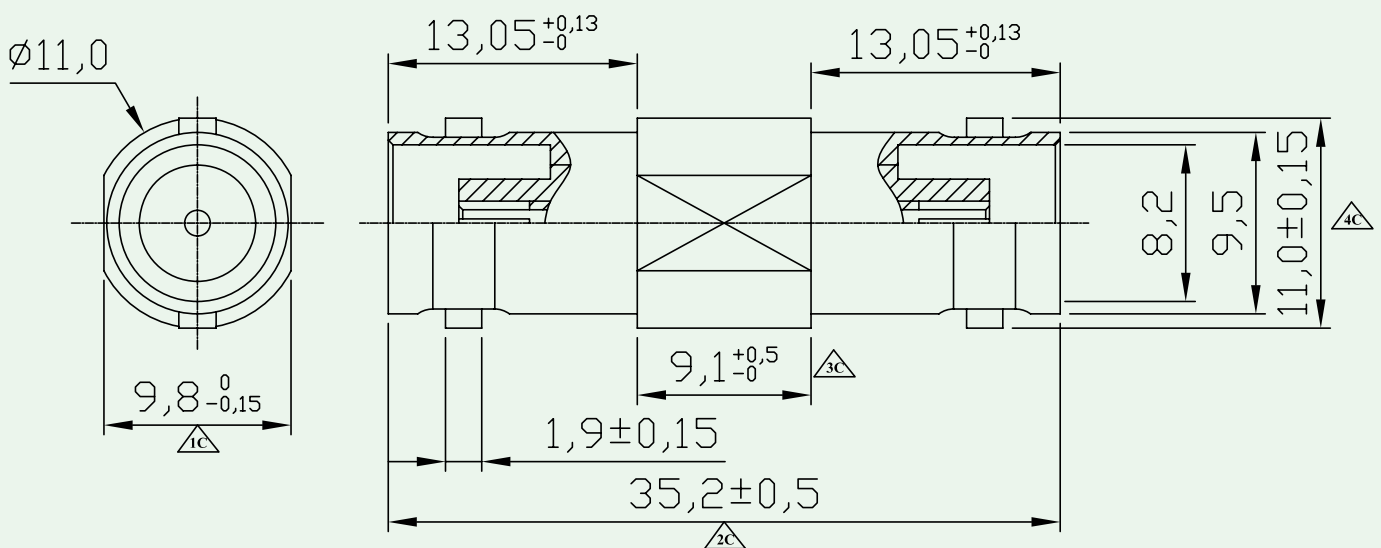
Ordering Information

6407535400



BNC Female to Female Adapters

KINSUN



Materials

- **Body & Coupling nut** : brass with gold or nickel plating.
- **Inner Conductor** : brass / phosphor bronze with gold plating.
- **Outer Conductor** : brass with gold or nickel plating.
- **Insulation** : Teflon



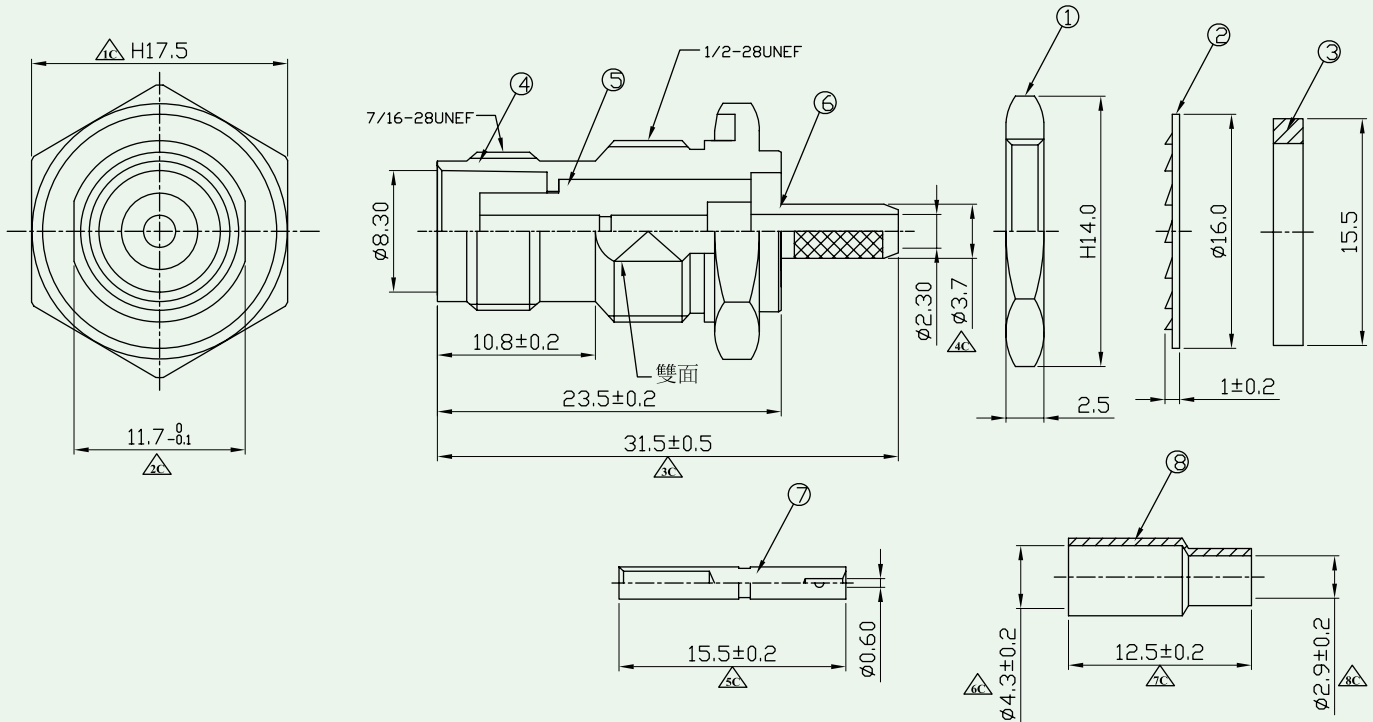
Ordering Information

6415135100



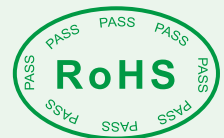
TNC Connector For Cable

KINSUN



Materials

- **Body & Coupling nut** : brass with gold or nickel plating.
- **Inner Conductor** : brass / phosphor bronze with gold plating.
- **Outer Conductor** : brass with gold or nickel plating.
- **Insulation** : Teflon



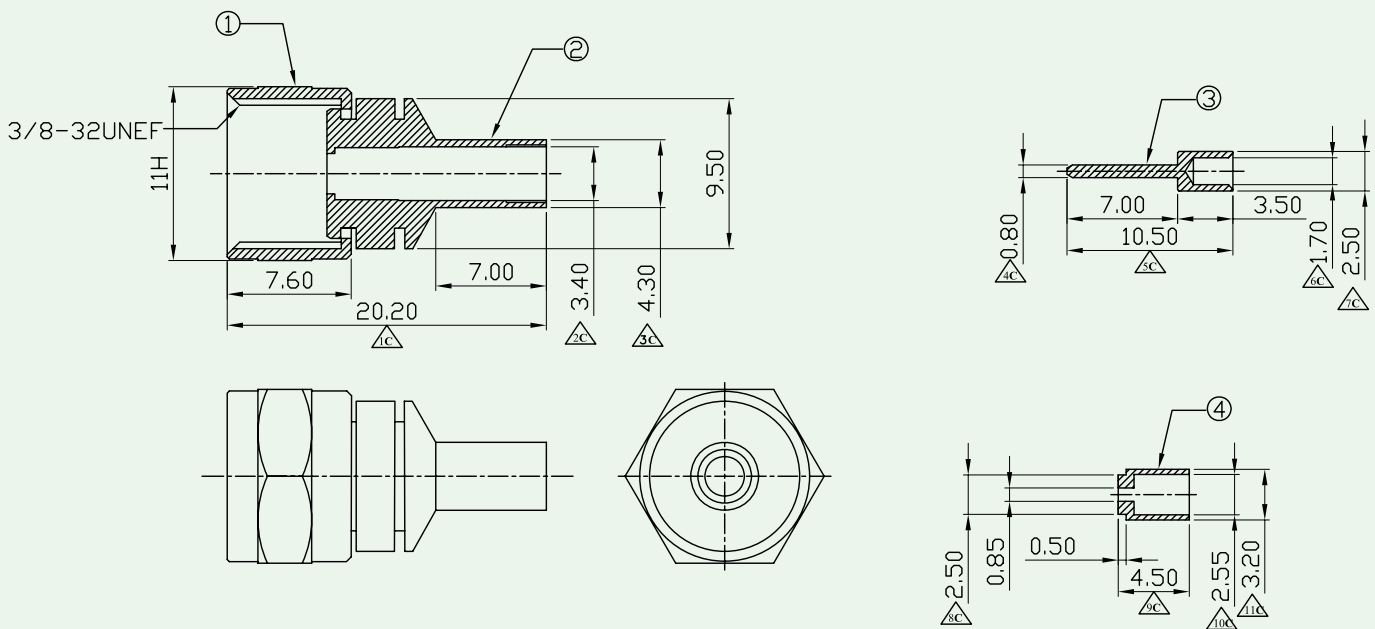
Ordering Information

6420243100



F Connector For Cable

KINSUN



Materials

- **Body & Coupling nut** : brass with gold or nickel plating.
- **Inner Conductor** : brass / phosphor bronze with gold plating.
- **Outer Conductor** : brass with gold or nickel plating.
- **Insulation** : Teflon



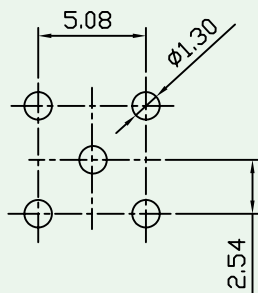
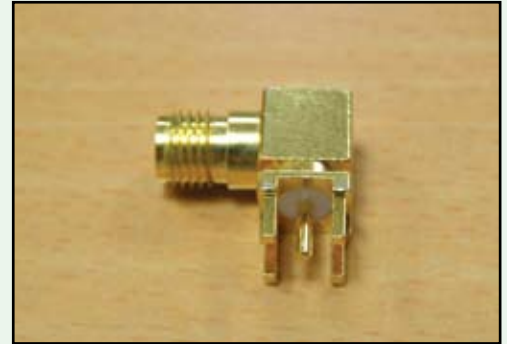
Ordering Information

6438534140

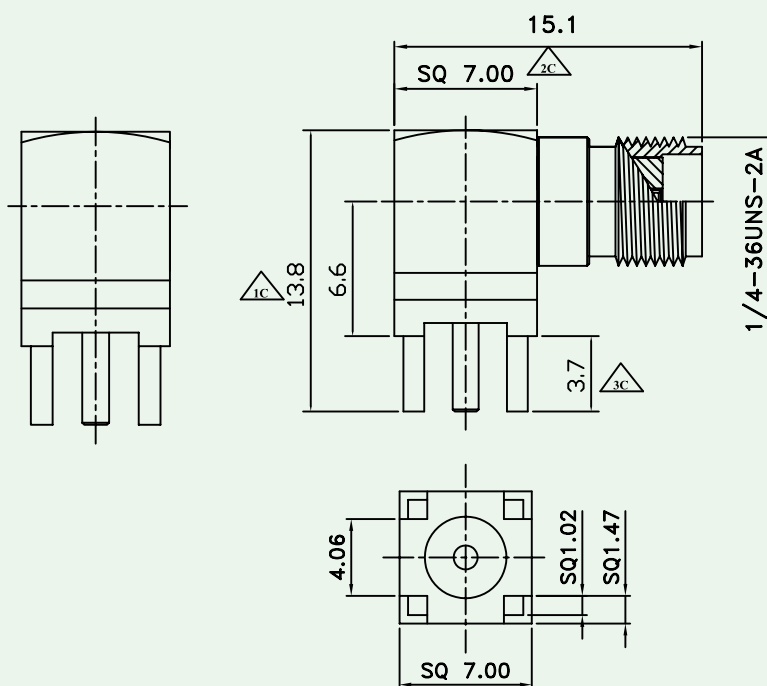


SMA Female Connector

KINSUN



Recommended PCB Layout



Materials

- **Body & Coupling nut** : brass with gold or nickel plating.
- **Inner Conductor** : brass / phosphor bronze with gold plating.
- **Outer Conductor** : brass with gold or nickel plating.
- **Insulation** : Teflon



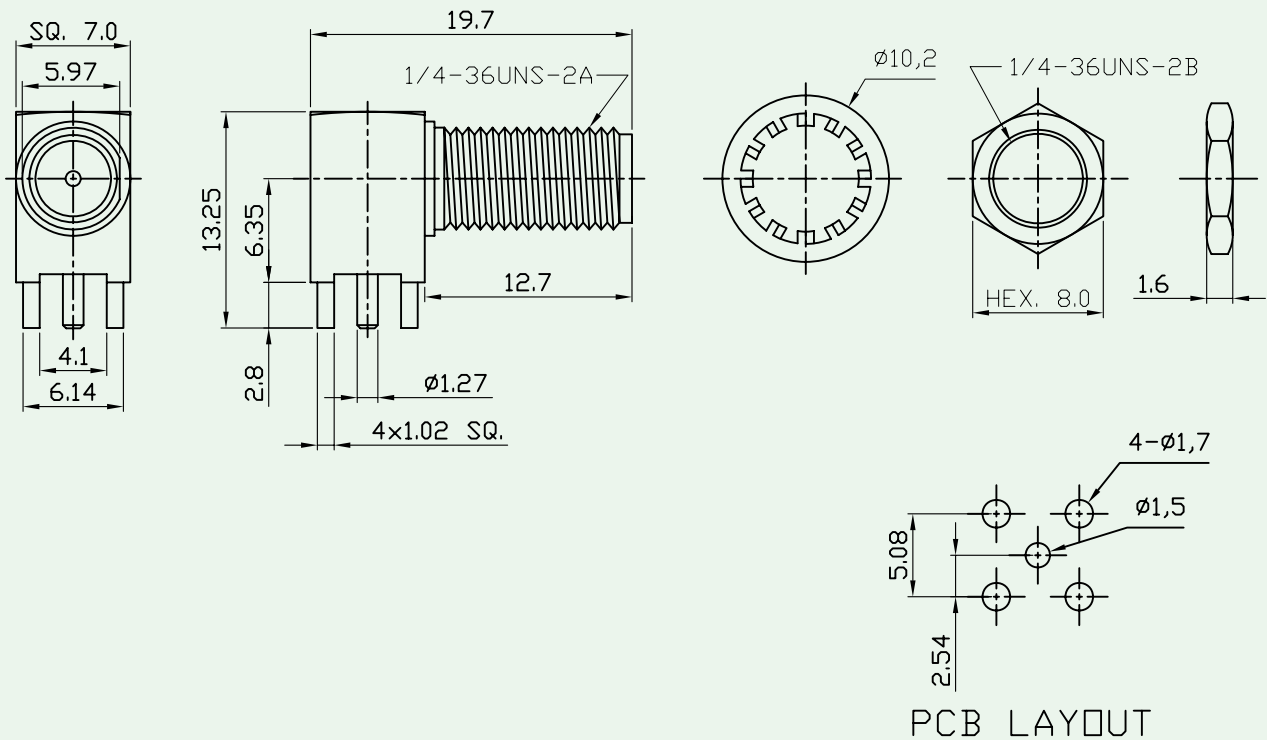
Ordering Information

6472010230



SMA Right Angle Jack PCB Connector

KINSUN



Materials

- **Connector Body** : Brass. Gold Plated
- **Center Contact** : Phosphor Bronze. Gold Plated
- **Insulation** : Teflon



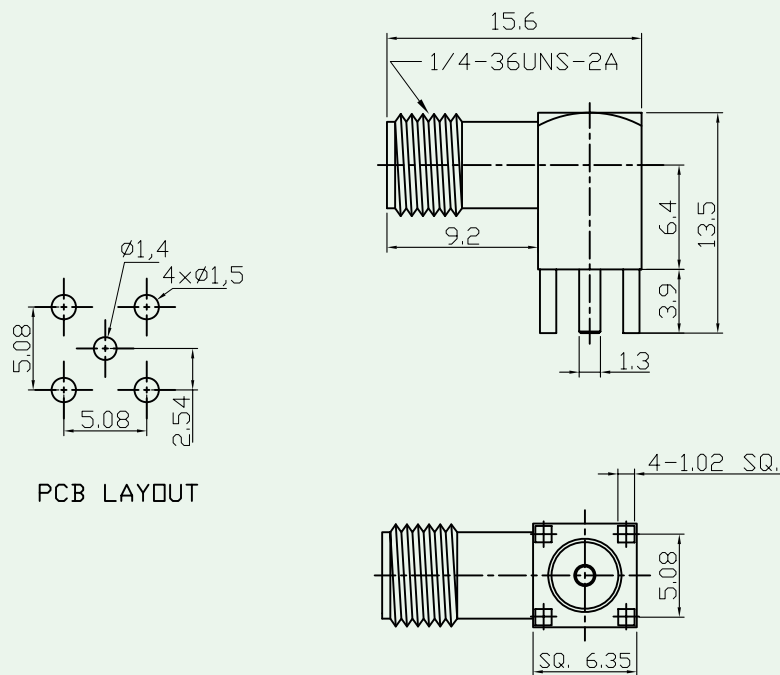
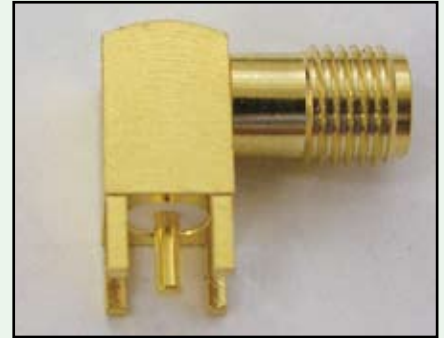
Ordering Information

6472301200



SMA Right Angle Jack PCB Connector

KINSUN



Materials

- **Connector Body** : Brass. Gold Plated
- **Center Contact** : Beryllium Copper. Gold Plated
- **Insulation** : Teflon



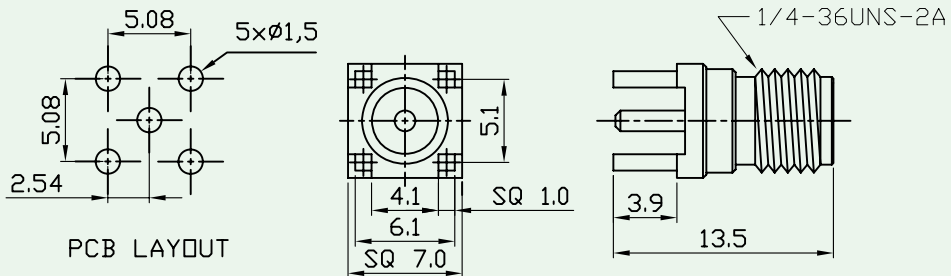
Ordering Information

6472301300



SMA Straight Jack PCB Connector

KINSUN



Materials

- **Connector Body** : Brass Gold Plated.
- **Center Contact** : Phosphor Bronze. Gold Plated
- **Insulation** : Teflon



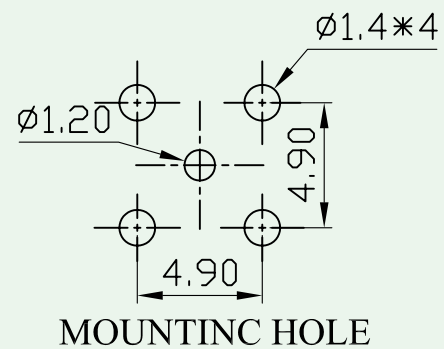
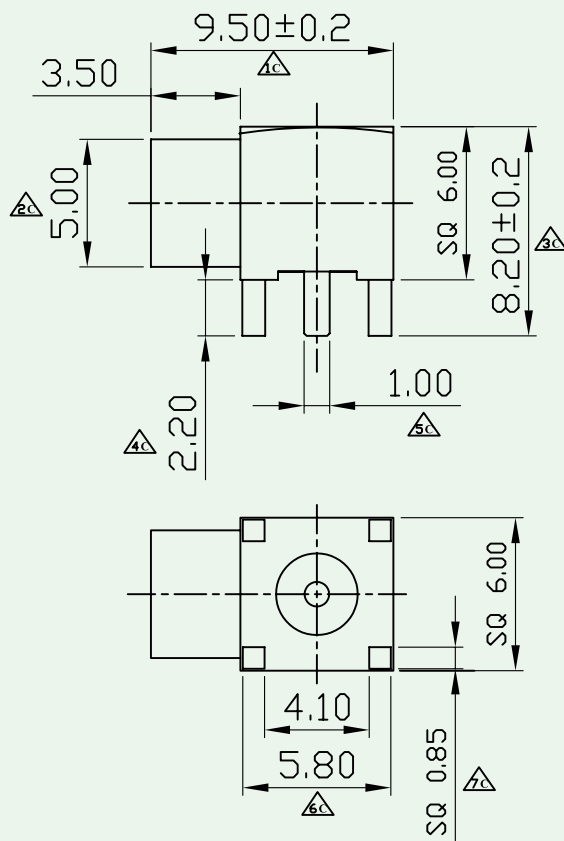
Ordering Information

6472201200



MCX Connector For PCB

KINSUN



Materials

- **Body & Coupling nut** : brass with gold or nickel plating.
- **Inner Conductor** : brass / phosphor bronze with gold plating.
- **Outer Conductor** : brass with gold or nickel plating.
- **Insulation** : Teflon



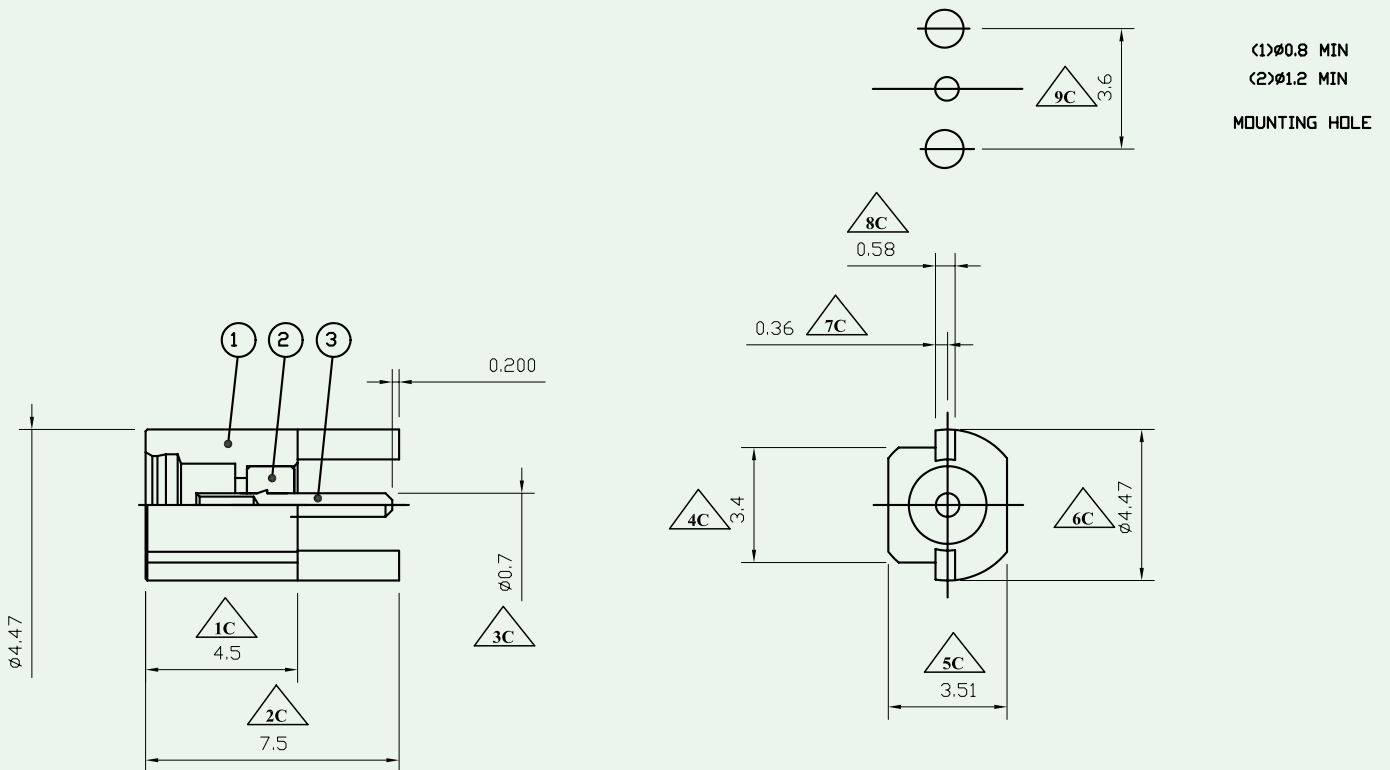
Ordering Information

6476010110



MMCX Connector For PCB

KINSUN



Materials

- **Body & Coupling nut** : brass with gold or nickel plating.
- **Inner Conductor** : brass / phosphor bronze with gold plating.
- **Outer Conductor** : brass with gold or nickel plating.
- **Insulation** : Teflon



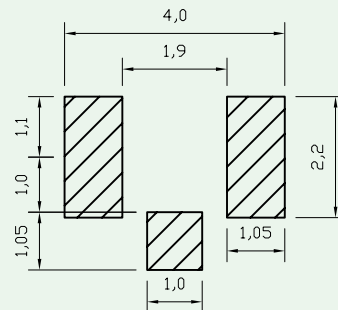
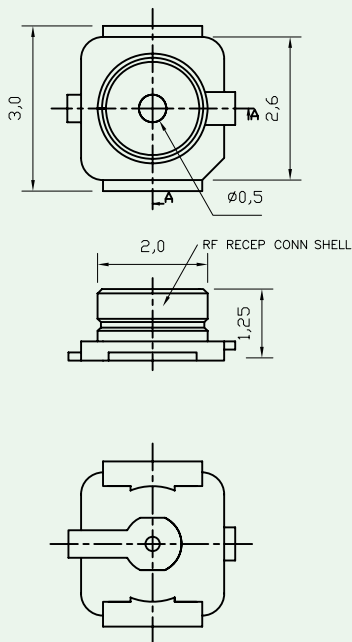
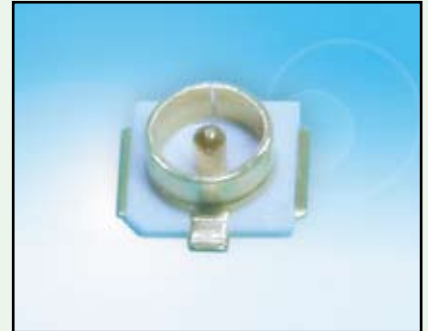
Ordering Information

6470010330



Jack SMT PCB Connector

KINSUN



PCB LAYOUT

Materials

- **Connector Body** : Phosphor Bronze. Gold Plated
- **Center Contact** : Brass. Gold Plated
- **Insulation** : LCP



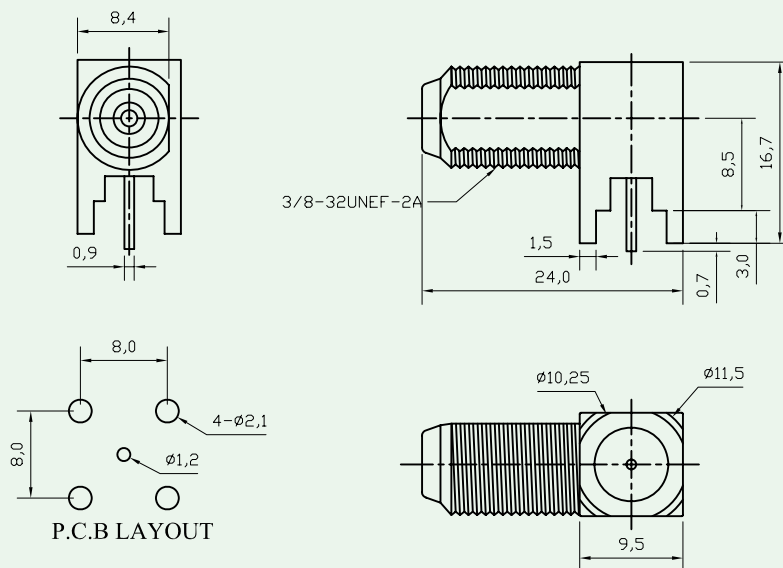
Ordering Information

6474011114



F Right Angle Jack PCB Connector

KINSUN



Materials

- **Connector Body** : Brass. Tin Plated
- **Center Contact** : Brass. Tin Plated
- **Insulation** : Pom



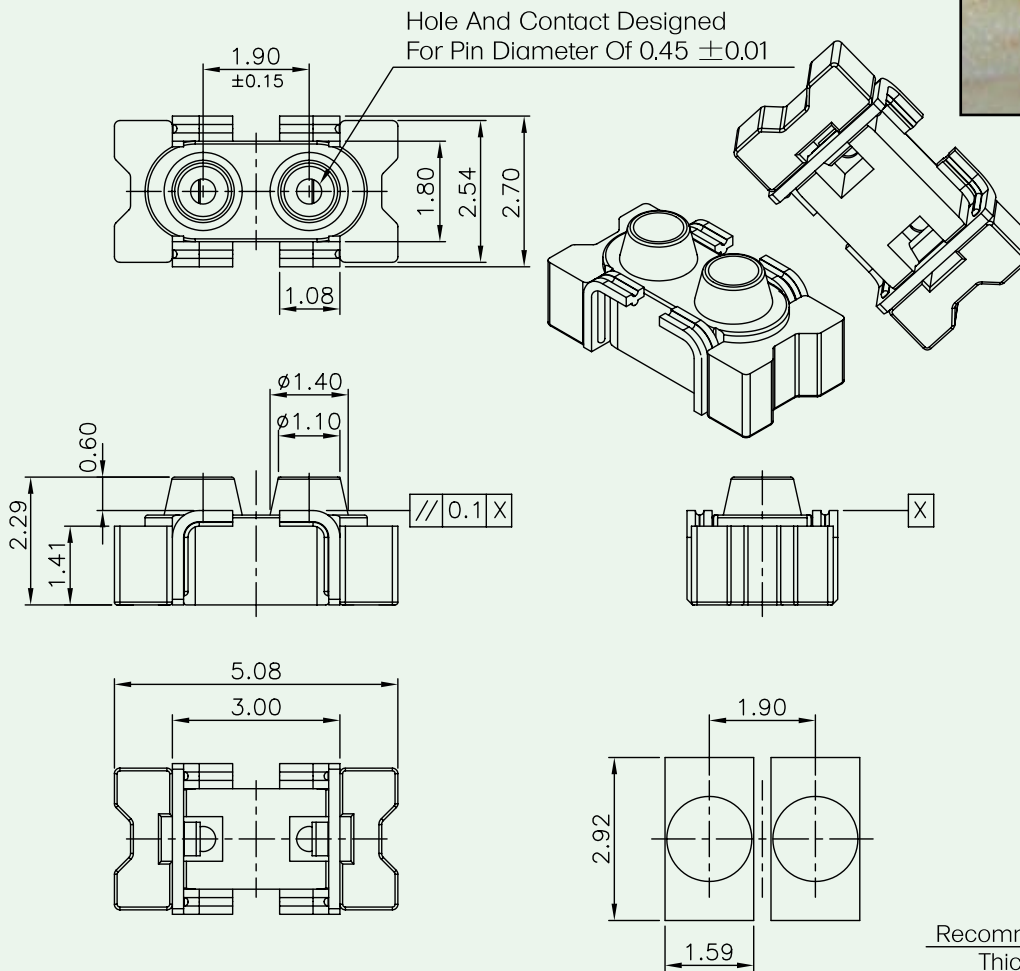
Ordering Information

6480005150



Microphone Transducer Connector (SMT Type, Pitch 1.9mm)

KINSUN



Recommend PCB Footprint
Thickness = 1.3mm

Materials

- **Plastic Housing** : High Temp. Thermoplastic
Flammability Rating UL 94V-0.
- **Contacts** : 0.2mm Thickness Phosphor Bronze.
Tin Plating Over Nickel In All Area.



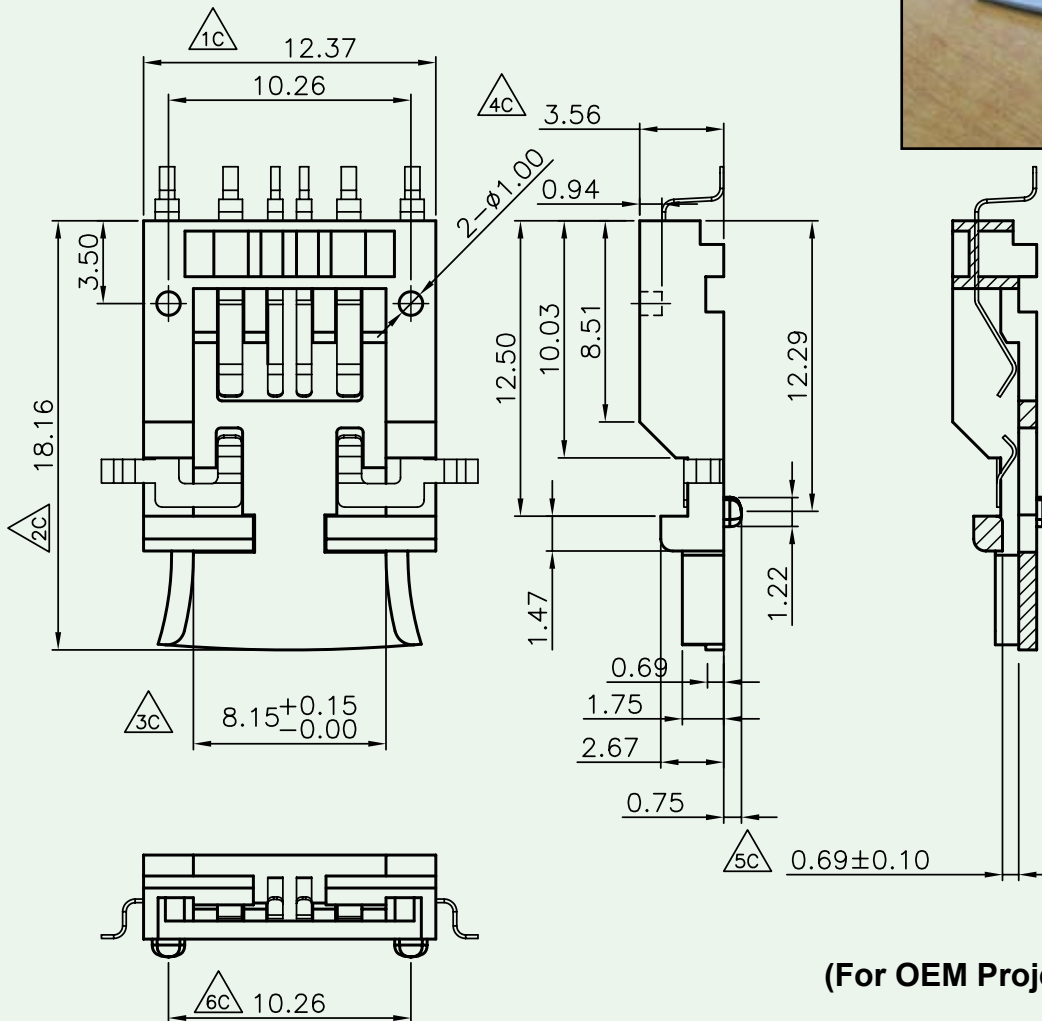
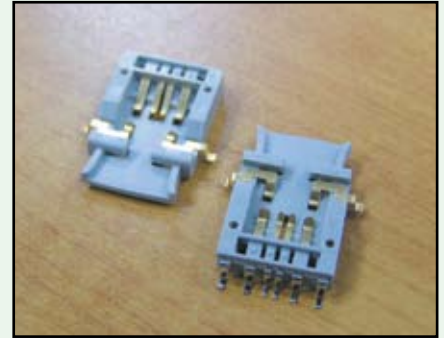
Ordering Information

7200 Series



Strip Connector

KINSUN



(For OEM Project Only)

Materials

- **Housing** : Engineering Thermoplastic.
- **Contact** : Beryllium Copper.



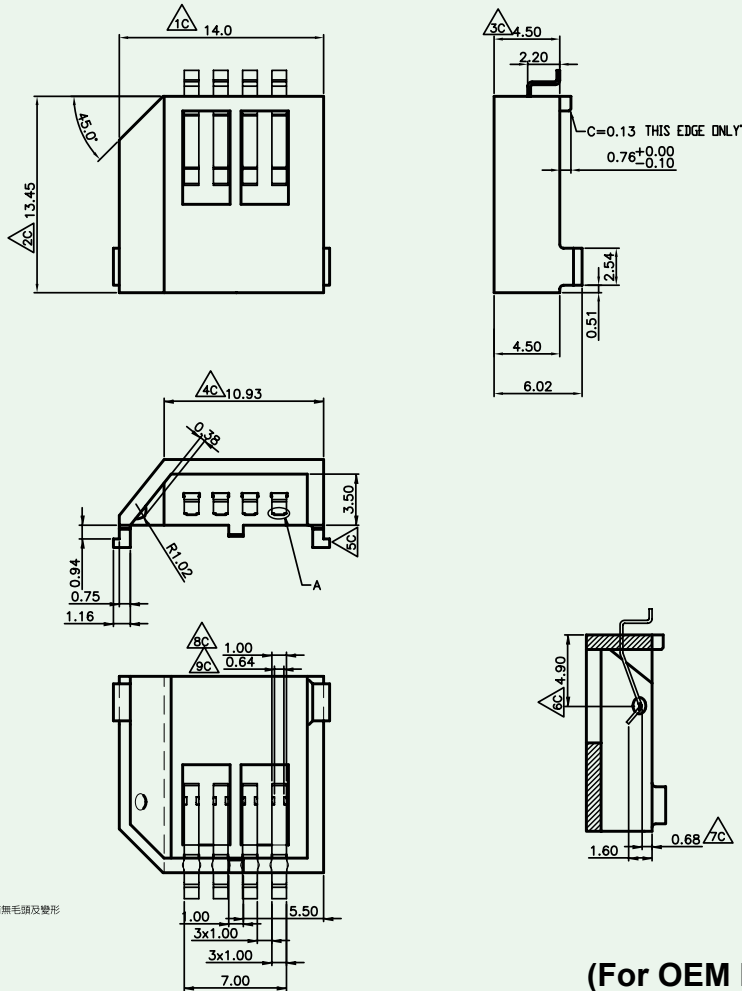
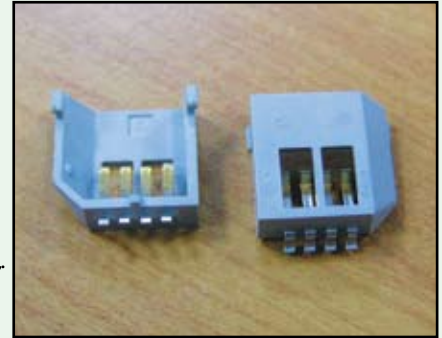
Ordering Information

9010 Series



Code Key Connector

KINSUN



(For OEM Project Only)

Materials

- **Contacts** : Phosphor Bronze C5210-H t=0.20.
- **Insert** : NY66+30% Glass-Filled Polyester UI 94V-0(Gray 6C).



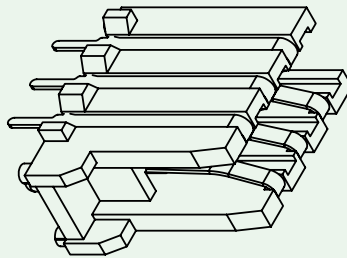
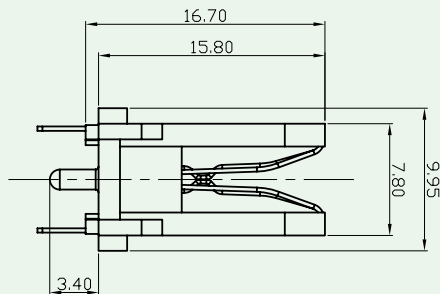
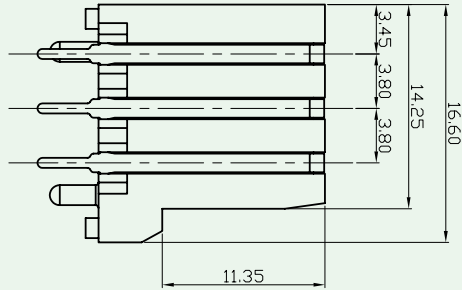
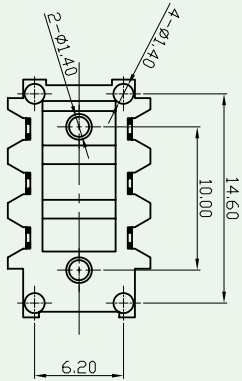
Ordering Information

9011 Series



Insert Of TAE JACK

KINSUN



Materials

- **Housing** : High Temperature Thermoplastic, UL 94V-0 rated.
- **Color** : Ivory.
- **Contacts** : Phosphor bronze.



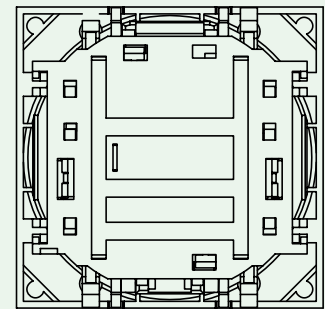
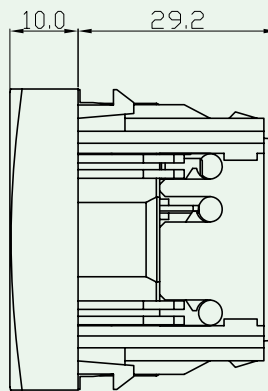
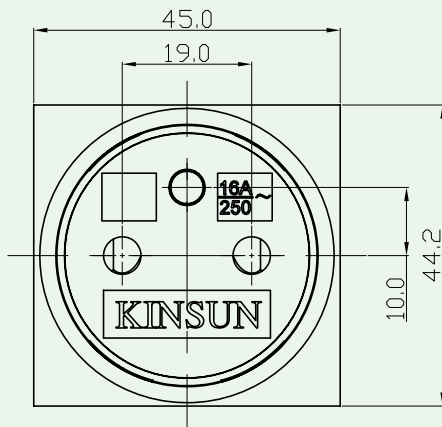
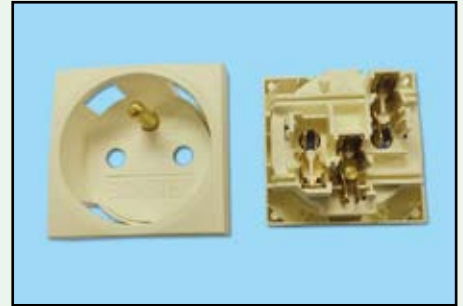
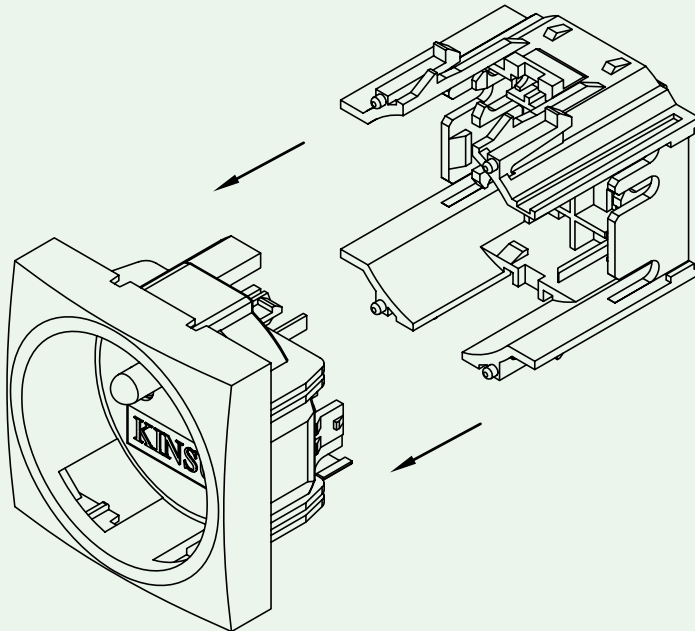
Ordering Information

3800A01090



European Socket

KINSUN



Materials

- **Housing** : Engineering thermoplastic
Flammability Rating UL 94V-0.
- **Power Pin** : Brass.
- **IDC Pin** : Phosphor Bronze.



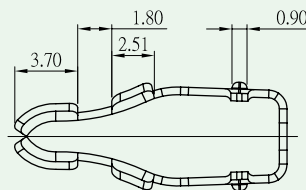
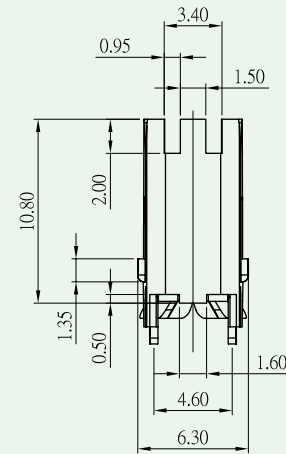
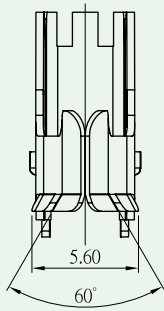
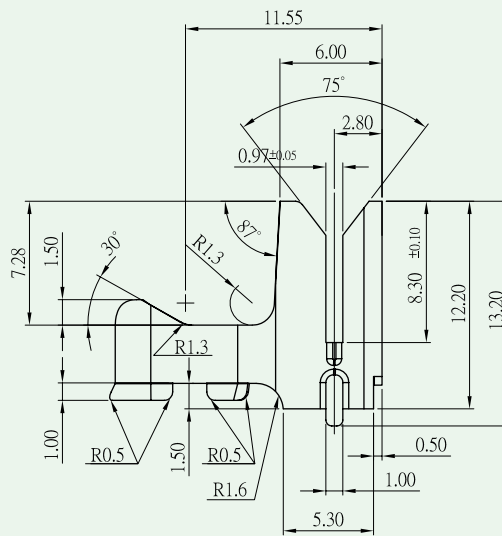
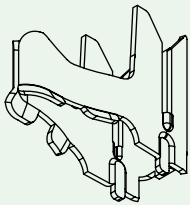
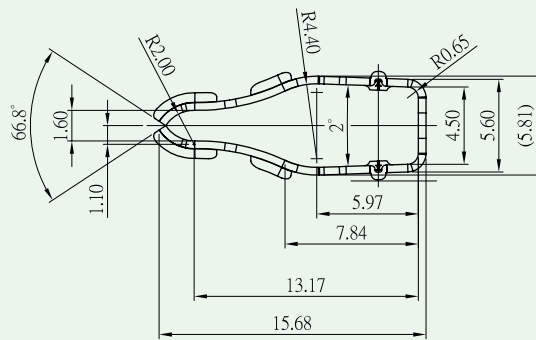
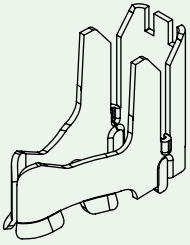
Ordering Information

4501 - Series



Stamping Parts For European Socket

KINSUN



Materials

- **Materials** : Engineering thermoplastic



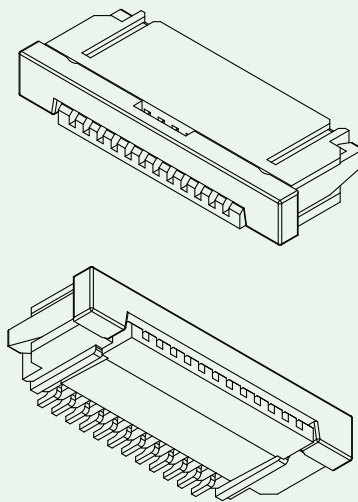
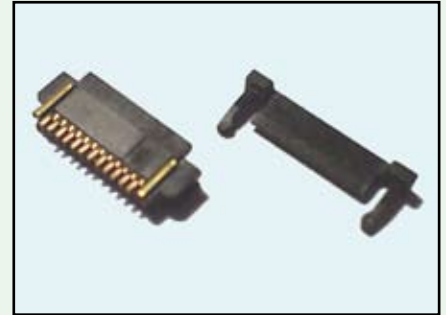
Ordering Information

S4501 Series



OEM Part SFR Connector (Not Open)

KINSUN



Materials

- **Housing** : LCP UL 94V-0 (Black)
- **Silder** : Pps Resin Glass Reinforced
UL 94V-0 (Black)
- **Contact** : Phosphor Bronze (Plating: Tin)
- **Mounting Plate** : Phosphor Bronze (Plating: Tin)



Ordering Information

5601 Series