



form no. 7530-001-103

1 | 2

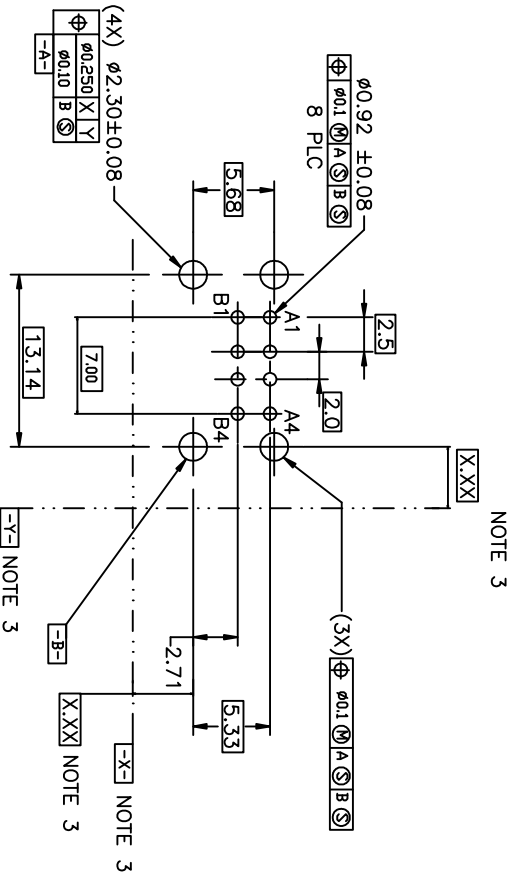
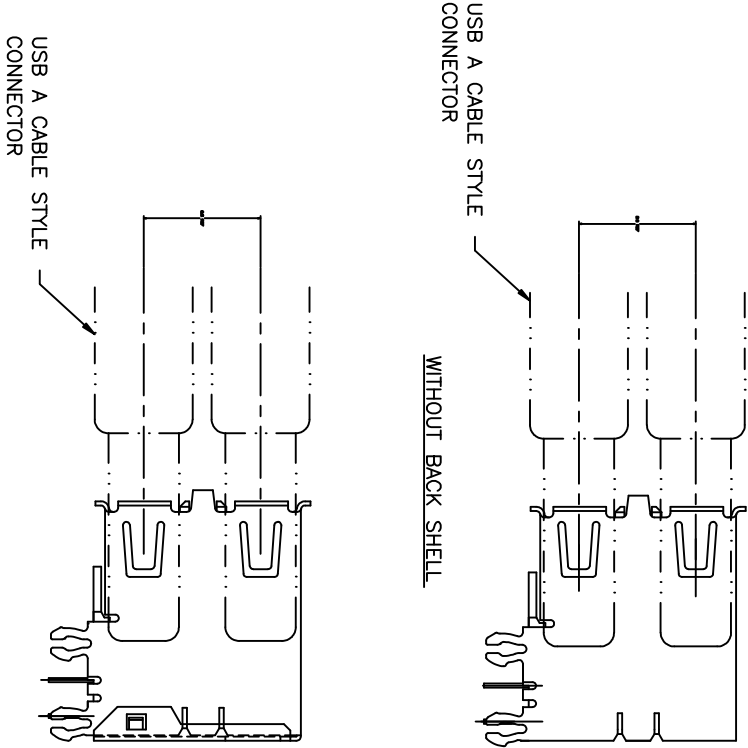
3

4

1 | 2

3

4



RECOMMENDED PC DIMENSIONS

NOTES:

1. MATERIAL:
 CONTACTS-COPPER ALLOY
 SHELL-COPPER ALLOY
 HOUSING-UL 94-V-0 RATED THERMOPLASTIC.

2. PLATING:

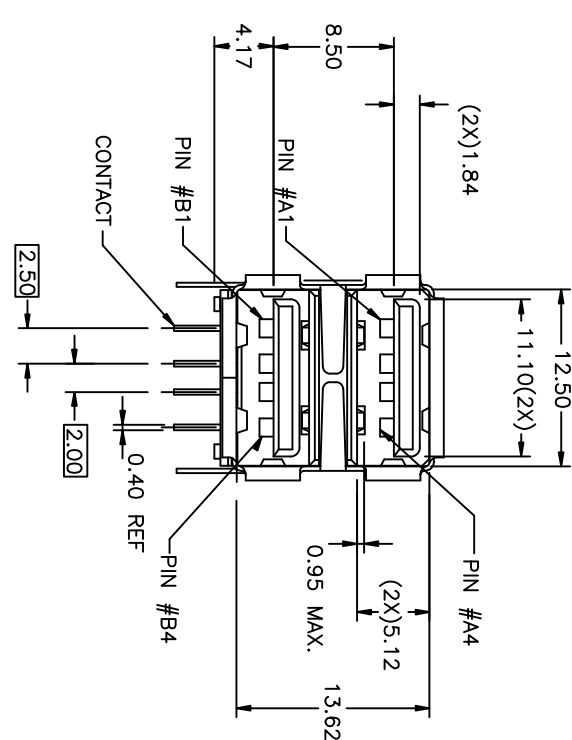
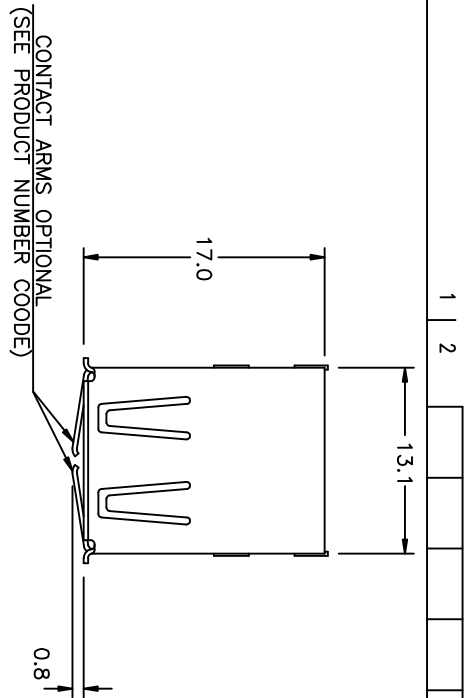
- CONTACTS-0.76um MINIMUM GLOD FLASH OVER PALLADIUM NICKEL IN CONTACT AREA OR 0.76um MIN GOLD FLASH
- 3.8um MINIMUM TIN-LEAD ON SOLDER TAILS
- ALL OVER 1.27um MINIMUM NICKEL.
- SHELL, 5um MINIMUM BRIGHT TIN OVER 2.5um MINIMUM NICKEL.

③ DATUM AND BASIC DIMENSIONS ESTABLISHED BY CUSTOMER.

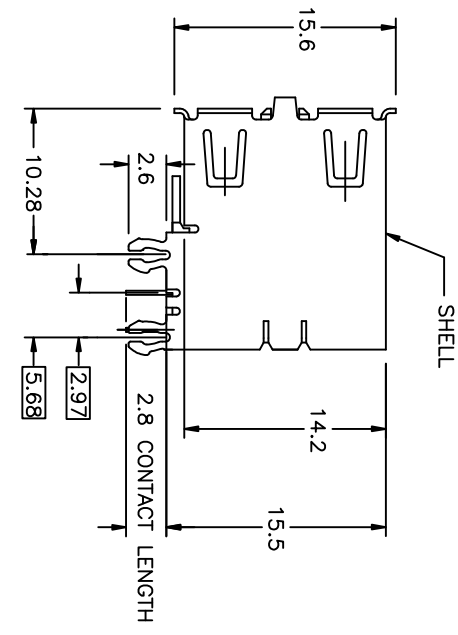
4. RECOMMENDED PC BOARD THICKNESS OF 1.57mm.

5. P/N SEE PRODUCT NUMBER CODE.
 (TO BE CONTINUED)

mat'l. code	NOTE 1 & 2		tolerances unless otherwise specified		CUSTOMER COPY	FCI	title	product family	code
itr	ecn no.	dr	date	X ±.30			UNIV. SERIAL BUS	USB	
AC	N05-0088	PH	05/09/05	.XX ±.20	projection		DOUBLE DECK RECEPTACLE		
AD	N05-0106	PH	04/13/05	.XXX ±.10	mm				
AE	N06-0101	HB	04/13/06	0° ±.3°	scale				
AF	N06-0133	HB	05/17/06		size				
AA	T04-0206	WL	05/13/04		product dwg no				
AB	N04-0086	PH	11/09/04		size				
sheet	revision	AF	AA	Y	AE				
index	sheet	1	2	3	4				
code		22526		72309		sheet 1 of 4			



ASSEMBLY WITHOUT BACK SHIELD
 72309-XX3XX SHOWN



- (CONTINUED)
- FOR LEAD FREE P/N, A LEAD FREE LABEL WILL APPEAR AT PACKING.
 - FOR LEAD FREE P/N, THE HOUSING WILL WITHSTAND EXPOSURE TO 260°C PEAK TEMPERATURE FOR 40 SECONDS IN A CONVECTION, INFRARED OR VAPOR PHASE REFLUX OVEN.
 - FOR LEAD FREE P/N, THE PRODUCT MEET EUROPEAN UNION DIRECTIVES AND OTHER COUNTRY REGULATION AS DESCRIBED IN GS-22-008

form no. 7530-001-103

1 | 2

3 |

code 22526

4

mat'l. code	tolerances unless otherwise specified			CUSTOMER COPY	FCJ	www.fcjconnect.com
itr	ecn no.	dr	date	linear	projection	title
AA				.XX ±.20	mm	UNIV. SERIAL BUS
				.XXX ±.10	mm	DOUBLE DECK RECEPTACLE
				0° ±.5°	mm	product family
				dr	mm	USB
				engr	scale	code
				chr	2 : 1	
				appr		
sheet	revision					size
index	sheet					dwg no
						72309
						sheet
						2 of 4



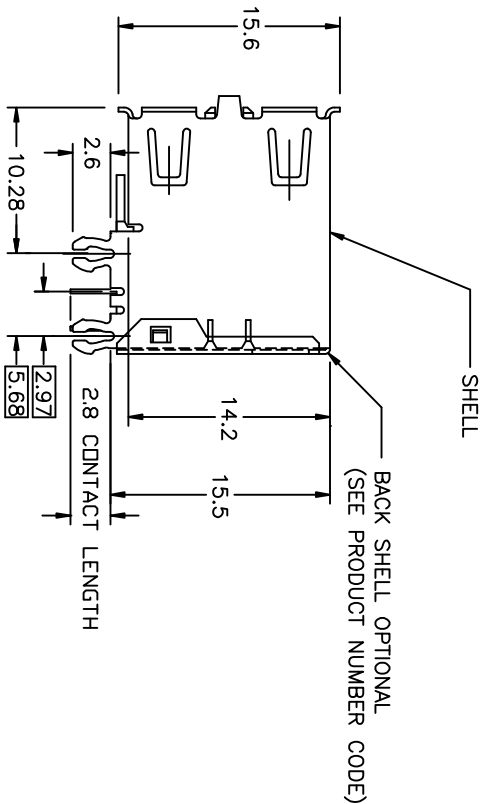
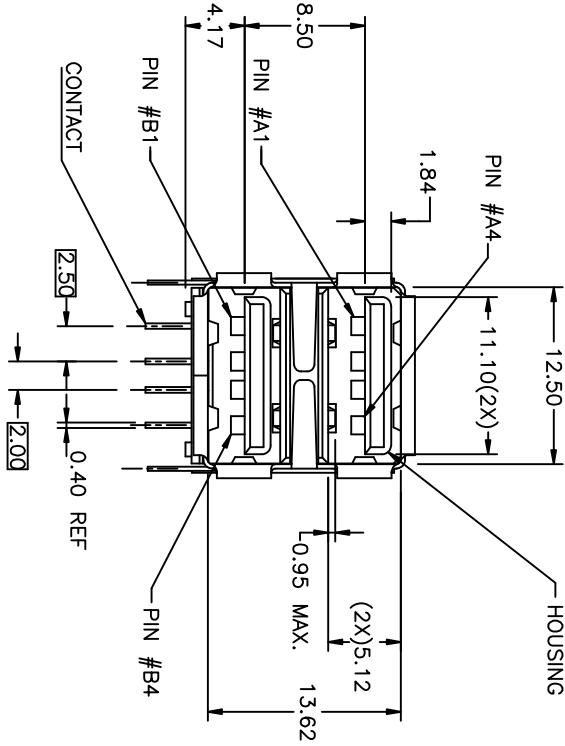
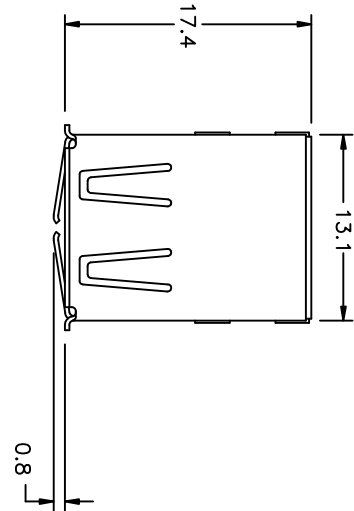
B

A

form no. 7530-001-103

1 | 2

1 | 2



ASSEMBLY WITH BACK SHIELD
 72309 - XX4XX SHOWN

mat'l. code		tolerances unless otherwise specified		CUSTOMER COPY		FCJ		title	
itr	ecn no	dr	date	.X ±.30	projection	UNIV. SERIAL BUS		DOUBLE DECK RECEPTACLE	
Y				.XX ±.20	mm	product family		USB	
				.XXX ±.10	scale	size dwg no		72309	
				0° ±5'	2 : 1	code		code	
				dr	PETER PAM	12/01/97			
				engr	R Y LIU	12/10/97			
				chr	R Y LIU	12/10/97			
				appd	JENN TSAO	12/10/97			
sheet	revision	sheet	sheet					sheet	3 of

3 |

3 |

code 22526

4

4



PRODUCT NUMBER CODE

72309 - X X X X X P S L F

BASE PRODUCT NUMBER

HOUSING COLOR + SHELL PLATING OPTIONS

- 0 - WHITE + NICKEL & TIN LEAD PLATING
- 1 - BLACK + NICKEL & TIN LEAD PLATING
- 2 - WHITE + NICKEL PLATING ONLY
- 3 - BLACK + NICKEL PLATING ONLY
- 4 - WHITE + NICKEL PLATING ONLY + LCP HSG
- 5 - BLACK + NICKEL & TIN LEAD PLATING + LCP HSG
- 6 - BLACK + NICKEL & BRIGHT TIN PLATING + LCP HSG
- 7 - WHITE + NICKEL & BRIGHT TIN PLATING
- 8 - BLACK + NICKEL & BRIGHT TIN PLATING + LCP HSG

SHELL PLATING OPTION

- 0 - BARREL-PLATING
- 1 - PRE-PLATING

SHELL OPTIONS

- 1 - NO BACK SHIELD, NO ARMS, FRONT GROUNDING ARMS
- 2 - BACK SHIELD, NO FRONT GROUNDING ARMS
- 3 - NO BACK SHIELD, FRONT GROUNDING ARMS
- 4 - BACK SHIELD, FRONT GROUNDING ARMS

TERMINAL PLATING OPTION

- 0 - 50u" Ni UNDERPLATE
- 1 - 30u" GXT CONTACT AREA
- 2 - 100u" TIN/LEAD TAIL AREA
- 3 - 50u" Ni UNDERPLATE
- 4 - 30u" GOLD CONTACT AREA
- 5 - 100u" MATTE TIN TAIL AREA
- 6 - 50u" Ni UNDERPLATE
- 7 - 30u" GOLD CONTACT AREA
- 8 - 100u" MATTE TIN TAIL AREA
- 9 - 50u" Ni UNDERPLATE
- 10 - 30u" GXT CONTACT AREA
- 11 - 100u" MATTE TIN TAIL AREA

PACKAGING OPTIONS

- B - TUBES
- R - TAPE & REEL

WITH DATE CODE

ONLY FOR PANASONIC

LEAD FREE MARK

LEAD FREE CONVERSION RULES -
 HOUSING COLOR AND SHELL PLATING OPTION: 0 TO 8, 1 TO 7, 6 TO 9
 TERMINAL PLATING OPTION: 0 TO 4, 2 TO 3

NOTE:
 AVAILABLE P/N'S IN FCI NOW FOLLOWED:

- 72309-0010X/8014XLF 72309-2010X/2014XLF
- 72309-0012X/8013XLF 72309-2012X/2013XLF
- 72309-0020X/8024XLF 72309-2020X/2024XLF
- 72309-0022X/8023XLF 72309-2022X/2023XLF
- 72309-0030X/8034XLF 72309-2030X/2034XLF
- 72309-0032X/8033XLF 72309-2032X/2033XLF
- 72309-0040X/8044XLF 72309-2040X/2044XLF
- 72309-0042X/8043XLF 72309-2042X/2043XLF
- 72309-1012X/7013XLF 72309-3012X/3013XLF
- 72309-1022X/7023XLF 72309-3022X/3023XLF
- 72309-1030X/7034XLF 72309-3030X/3034XLF
- 72309-1042X/7043XLF 72309-3042X/3043XLF
- 72309-0110X/8114XLF 72309-4010X/4014XLF
- 72309-0112X/8113XLF 72309-5012X/5013XLF
- 72309-0120X/8124XLF 72309-5020X/5024XLF
- 72309-0122X/8123XLF 72309-5022X/5023XLF
- 72309-0130X/8134XLF 72309-5030X/5034XLF
- 72309-0142X/8143XLF 72309-5042X/5043XLF
- 72309-1110X/7114XLF 72309-6010X/6014XLF
- 72309-1112X/7113XLF 72309-6012X/6013XLF
- 72309-1120X/7124XLF 72309-6020X/6024XLF
- 72309-1122X/7123XLF 72309-6022X/6023XLF
- 72309-1130X/7134XLF 72309-6030X/6034XLF
- 72309-1132X/7133XLF 72309-6032X/6033XLF
- 72309-1140X/7144XLF 72309-6040X/6044XLF
- 72309-1142X/7143XLF 72309-6042X/6043XLF

form no. 7530-001-103

1 | 2

3

code 22526

4

mat'l code	NOTE 1 & 2	tolerances unless otherwise specified	CUSTOMER COPY	FCI	title	product family	code
itr	ecn no	linear	projection	www.fciconnect.com	UNIV. SERIAL BUS	USB	
AE	dr	angles	mm		DOUBLE DECK RECEPTACLE		
	engr	FUSSELMAN	2:1				
	chr	J.DAVID					
	oppl	J.DAVID					
sheet	revision						
index	sheet						