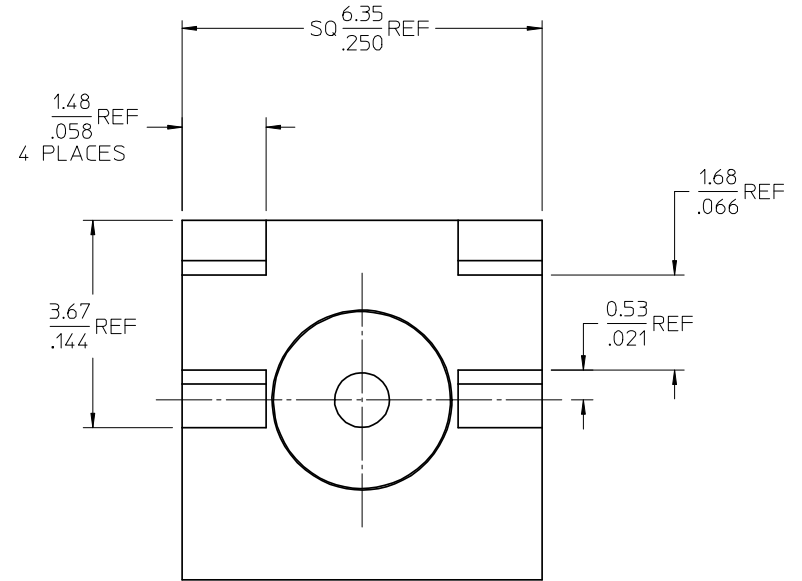
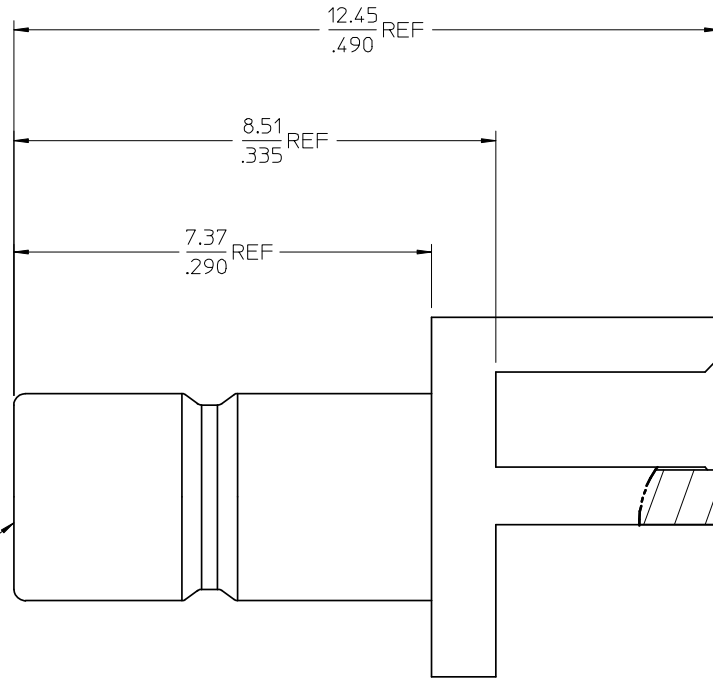
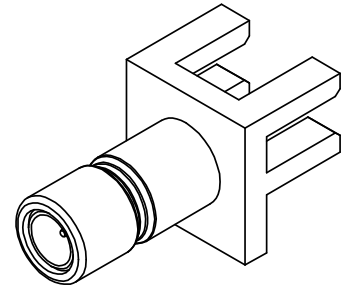


MATERIALS AND FINISHES

BODY: BRASS
PLATED GOLD

CENTER CONTACT: BRASS
PLATED GOLD

INSULATOR: TEFLON



SMB JACK
INTERFACE

PART # 73404-1790

PS-89675-3540	ELEC/MECH PERFORMANCE
MIL-STD-348A, FIG. 311.1	INTERFACE
SPECIFICATION	DESCRIPTION

CHG: RELEASE
DRAWING.

EC NO: URF2008-0390
DRWN:ROBERTSON 2008/01/31
CHKD: 2008/01/31
APPR:WIENER 2008/02/01

QUALITY SYMBOLS
▽=0
▽=0

GENERAL TOLERANCES (UNLESS SPECIFIED)

	mm	INCH
4 PLACES	± .005	± .0005
3 PLACES	± .005	± .0005
2 PLACES	± .005	± .0005
1 PLACE	± .005	± .0005

ANGULAR ± 2 °

DRAFT WHERE APPLICABLE
MUST REMAIN
WITHIN DIMENSIONS

DIMENSION STYLE
MM/IN

DRAWN BY	DATE
JM	2005/03/15
CHECKED BY	DATE
JM	2005/03/15
APPROVED BY	DATE
GMH	2005/03/15

MATERIAL NO.
734041790

SIZE
C

SCALE

DESIGN UNITS
METRIC

THIRD ANGLE PROJECTION

TITLE
SMB JACK, 50 OHM
EDGE MOUNT, EWR-2744
SMB-J/PCB

MOLEX MOLEX INCORPORATED

DOCUMENT NO.
SD-73404-179

SHEET NO.
1 OF 1

THIS DRAWING CONTAINS INFORMATION THAT IS PROPRIETARY TO MOLEX INCORPORATED AND SHOULD NOT BE USED WITHOUT WRITTEN PERMISSION