

PRODUCT NUMBER
76745-YXX-XXLF

WHEN REQUIRED, ADD SUFFIX LETTER "LF"
INDICATES THE PRODUCT IS RoHS
COMPATIBLE, SEE NOTE 6

TOTAL NB OF POS (04 TO 72 POS)

PIN STYLE

PLATING

1 = 0.76µm GOLD/GXT,
OVER 1.27µm Ni MIN

8 = 0.38µm GOLD/GXT
OVER 1.27µm Ni MIN

3 = 3.81µm TIN/LEAD
OVER 1.27µm Ni MIN

- WHEN "LF" IS REQUIRED, 2µm MATTE
TIN OVER 1.27µm MIN NICKEL IS
PROVIDED INSTEAD OF TIN-LEAD

NOTES:

1. HOUSING MAT'L : HIGH TEMPERATURE THERMOPLASTIC. UL94V-0 COLOR: BLACK.
2. PIN MATERIAL : PHOSPHOR BRONZE.
3. 12N MIN RETENTION IN EITHER DIRECTION.
4. TO DETERMINE DIMENSIONS :
N = NUMBER OF POSITIONS PER ROW
EXAMPLE : 8 POS PER ROW, N x 2.54 = 20.32mm
5. FOR STANDARD SELECTIVE GOLD PLATED PRODUCTS
SEE DRAWINGS 54112 & 54122.
6. STANDARD PACKAGING IN POLYBAGS
7. RoHS COMPATIBLE PRODUCT SPECIFICATIONS

a - PLATING:

- "LF" MEANS THE PRODUCT IS LEAD-FREE,
2µm MINIMUM MATTE TIN OVER 1.27µm
MINIMUM NICKEL UNDERPLATE.

b - MANUFACTURING PROCESS COMPATIBILITY

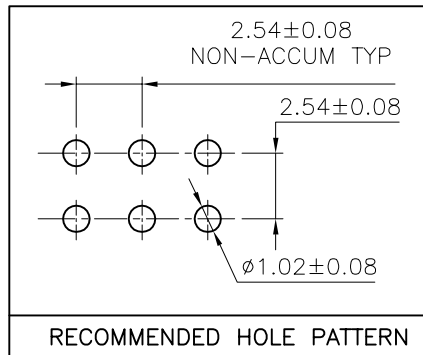
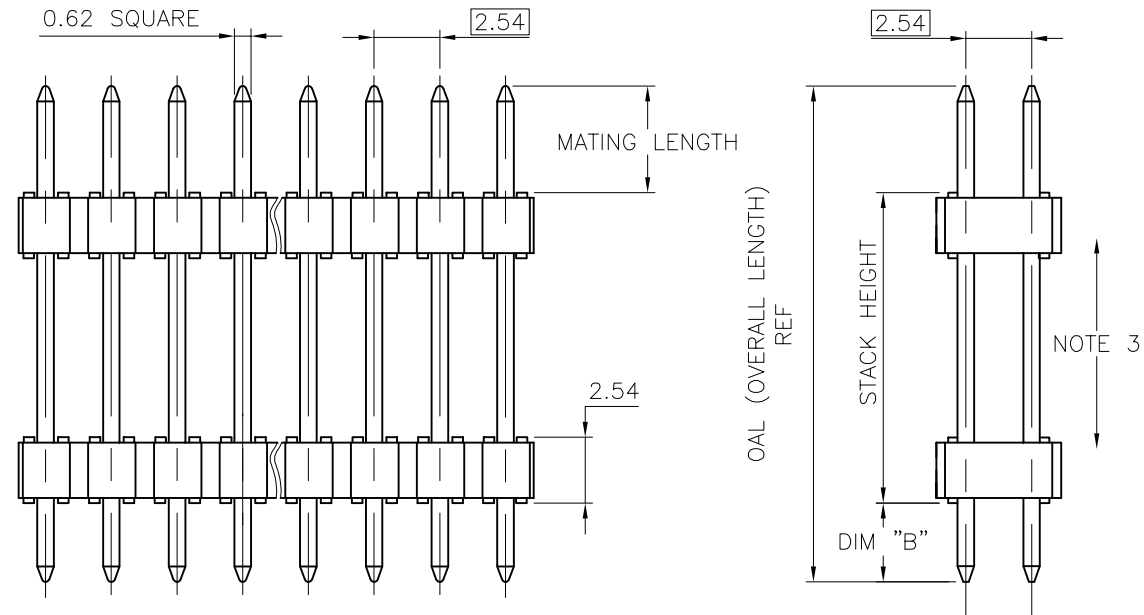
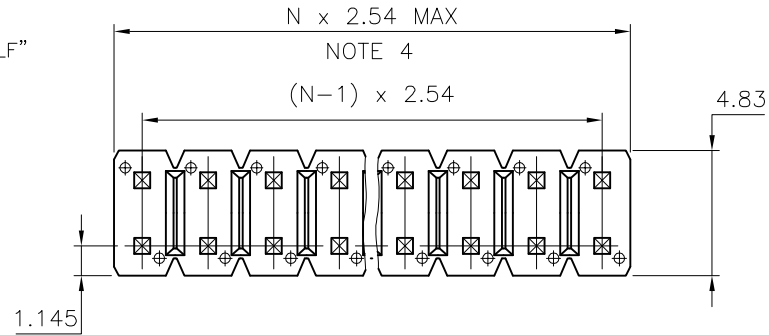
- THE HOUSING WILL WITHSTAND EXPOSURE TO
260°C ±5°C SOLDER BATH TEMPERATURE FOR

WITH A 1.6mm MIN THICK CIRCUIT BOARD.

c - LABELING:

- MEETS PACKAGING SPECS AS PER GS-14-920

d - LEGAL STATEMENT: SEE GS-22-008



| | | | | | | | |
|--------------------------|----------|------|----------|---------------------------------------|-------------------------------|------------------|---|
| mat'l. code SEE NOTES | | | | surface ISO 1302 | tolerance ISO 406 ISO 1101 | projection mm | product family BSTIK |
| ltr | ecn no | dr | date | tolerances unless otherwise specified | | mm | title HEADER STR,DR DOUBLE BODY |
| EP | F06-0196 | LMU | 06.06.20 | angles | x.x ±0.3 | | |
| ER | F07-0180 | LMU | 07.04.24 | linear | x.xx ±0.13 | scale 5:1 | dwg no 76745 |
| ES | F07-0266 | J.CO | 07.10.15 | | x.xxx ±0.05 | | |
| ET | F08-0148 | J.CO | 08.05.27 | dr | NIZZI P | 94.05.05 | sheet 1 of 3 |
| EU | F08-0236 | LMU | 09.11.13 | enr | COMPAGNON J | 95.12.05 | size A3 |
| | | | | chr | | | |
| | | | | appd | JMC | 95.12.05 | type CUSTOMER Drawing |

| | | | | | | | | | | | | | | | | | | | | |
|-------------|----------------|----|----|---|--|--|--|--|--|--|--|--|--|--|--|--|--|--|--|--|
| sheet index | revision sheet | EU | BT | C | | | | | | | | | | | | | | | | |
| | | 1 | 2 | 3 | | | | | | | | | | | | | | | | |



FCIconnect.com

Copyright FCI

APPLICATION SPECIFIC

| PIN STYLE | MATING LENGTH ±0.2 | STACK HEIGHT ±0.25 | "B" ±0.25 | ("OAL") REF |
|-----------|--------------------|--------------------|-----------|-------------|
| 01 | 8.71 | 19.76 | 2.65 | 31.12 |
| 02 | 6.87 | 16.5 | 3.05 | 26.42 |
| 03 | 6.87 | 13.0 | 3.63 | 23.5 |
| 04 | 5.6 | 6.5 | 2.88 | 14.98 |
| 05 | 5.51 | 8.0 | 3.05 | 16.56 |
| 06 | 6.61 | 11.3 | 3.05 | 20.96 |
| 07 | 5.58 | 10.3 | 2.54 | 18.42 |
| 08 | 5.81 | 7.7 | 3.05 | 16.56 |
| 09 | 5.72 | 5.08 | 2.54 | 13.34 |
| 10 | 6.9 | 10.45 | 2.71 | 20.06 |
| 11 | 11.2 | 9.5 | 2.8 | 23.5 |
| 12 | 3.11 | 8.0 | 3.11 | 14.22 |
| 13 | 9.07 | 6.3 | 3.05 | 18.42 |
| 14 | 5.33 | 21.5 | 2.48 | 29.31 |
| 15 | 13.26 | 10.11 | 3.05 | 26.42 |
| 17 | 7.5 | 23.45 | 3.05 | 34.0 |
| 18 | 7.5 | 18.85 | 2.96 | 29.31 |
| 19 | 9.5 | 10.45 | 3.55 | 23.5 |
| 21 | 11.96 | 18.5 | 3.2 | 33.66 |
| 23 | 9.0 | 25.9 | 3.05 | 37.95 |
| 24 | 8.87 | 14.5 | 3.05 | 26.42 |
| 25 | 9.84 | 11.43 | 9.85 | 31.12 |
| 26 | 7.5 | 8.38 | 2.54 | 18.42 |
| 28 | 6.6 | 8.25 | 2.8 | 17.65 |
| 29 | 9.1 | 15.7 | 3.2 | 28.0 |
| 30 | 8.0 | 14.35 | 2.55 | 24.9 |
| 31 | 8.0 | 22.8 | 3.2 | 34.0 |
| 34 | 8.0 | 12.0 | 3.0 | 23.0 |
| 35 | 7.41 | 7.7 | 2.54 | 17.65 |
| 36 | 10.55 | 7.5 | 10.53 | 28.58 |
| 37 | 5.72 | 20.44 | 7.5 | 33.66 |
| 40 | 7.0 | 6.5 | 3.06 | 16.56 |
| 41 | 7.72 | 9.0 | 3.05 | 19.77 |
| 47 | 5.59 | 13.0 | 3.05 | 21.64 |
| 48 | 8.54 | 16.5 | 2.96 | 28.0 |
| 51 | 5.6 | 10.0 | 2.99 | 18.59 |
| 52 | 9.0 | 7.96 | 4.0 | 20.96 |
| 53 | 5.69 | 9.0 | 3.9 | 18.59 |

APPLICATION SPECIFIC

| PIN STYLE | MATING LENGTH ±0.2 | STACK HEIGHT ±0.25 | "B" ±0.25 | ("OAL") REF |
|-----------|--------------------|--------------------|-----------|-------------|
| 54 | 9.91 | 13.08 | 3.05 | 26.04 |
| 55 | 13.0 | 20.0 | 3.2 | 36.2 |
| 57 | 11.78 | 5.08 | 3.23 | 20.06 |
| 58 | 23.0 | 8.5 | 5.5 | 36.97 |
| 59 | 9.0 | 18.2 | 9.0 | 36.2 |
| 62 | 9.2 | 9.3 | 3.5 | 22.0 |
| 68 | 6.75 | 8.0 | 2.9 | 17.65 |
| 70 | 6.95 | 16.44 | 2.7 | 26.04 |
| 71 | 6.8 | 5.2 | 2.69 | 14.69 |
| 72 | 6.9 | 11.0 | 2.75 | 20.65 |
| 73 | 11.1 | 6.35 | 3.2 | 20.65 |
| 74 | 14.3 | 11.0 | 3.11 | 28.41 |
| 75 | 6.9 | 24.0 | 3.1 | 34.0 |
| 79 | 9.95 | 39.0 | 3.05 | 52.0 |
| 80 | 5.68 | 7.0 | 2.3 | 15.0 |
| 83 | 13.2 | 8.0 | 3.7 | 24.9 |
| 85 | 9.25 | 11.2 | 3.05 | 23.5 |
| 88 | 10.8 | 8.0 | 3.7 | 22.5 |
| 97 | 10.3 | 34.0 | 5.7 | 50.0 |
| AM | 8.46 | 5.08 | 8.46 | 22.0 |
| AN | 10.0 | 29.0 | 3.0 | 42.0 |
| AT | 8.0 | 13.3 | 2.2 | 23.5 |
| BA | 10.5 | 9.0 | 10.5 | 29.98 |
| BB | 8.5 | 11.5 | 5.4 | 25.4 |
| BD | 11.7 | 13.5 | 3.21 | 28.41 |
| BE | 9.2 | 6.5 | 9.2 | 24.9 |
| BM | 11.5 | 11.5 | 3.04 | 26.04 |
| BR | 7.8 | 32.3 | 4.35 | 44.45 |
| BT | 8.5 | 35.0 | 8.5 | 52.0 |
| BV | 14.8 | 18.9 | 3.27 | 36.97 |
| BW | 7.7 | 29.0 | 3.3 | 40.0 |

APPLICATION SPECIFIC

| PIN STYLE | MATING LENGTH ±0.2 | STACK HEIGHT ±0.25 | "B" ±0.25 | ("OAL") REF |
|-----------|--------------------|--------------------|-----------|-------------|
| CB | 9.0 | 30.0 | 3.0 | 42.0 |
| CD | 9.24 | 12.0 | 9.24 | 30.48 |
| CE | 13.80 | 15.45 | 8.90 | 27.85 |
| CF | 8.25 | 16.0 | 8.25 | 32.5 |
| CG | 6.0 | 40.0 | 6.0 | 52.0 |
| CH | 11.02 | 12.0 | 3.02 | 26.04 |
| CK | 8.55 | 26.0 | 3.4 | 37.95 |
| CN | 7.08 | 5.60 | 7.08 | 19.77 |
| CP | 9.50 | 7.00 | 2.41 | 18.91 |
| CR | 7.47 | 24.40 | 5.10 | 36.97 |
| CS | 8.30 | 5.50 | 5.97 | 19.77 |
| CT | 11.0 | 6.0 | 11.0 | 28.0 |
| CU | 9.75 | 13.0 | 9.75 | 32.5 |
| CV | 9.44 | 13.00 | 3.60 | 26.04 |
| CW | 5.00 | 36.00 | 5.00 | 46.00 |
| CX | 10.00 | 26.00 | 6.00 | 42.00 |
| CY | 10.9 | 18.20 | 10.9 | 40.00 |
| CZ | 5.5 | 23.00 | 5.50 | 34.00 |
| DA | 13.00 | 14.50 | 6.50 | 34.00 |
| DB | 12.75 | 8.50 | 12.75 | 34.00 |
| DC | SEE SHEET 3 | | | |
| DE | 6.00 | 34.00 | 6.00 | 46.00 |
| DF | 9.12 | 7.80 | 9.12 | 26.04 |
| DG | 3.50 | 43.00 | 3.50 | 50.00 |
| DH | 6.50 | 8.00 | 6.50 | 21.00 |
| DJ | 5.80 | 17.75 | 5.80 | 29.31 |
| DK | 5.40 | 9.00 | 2.90 | 17.30 |
| DL | 9.00 | 8.50 | 6.00 | 23.50 |
| DM | 7.40 | 23.70 | 3.30 | 34.40 |
| DN | 7.40 | 12.10 | 3.30 | 22.80 |

| | | | | | | | | | |
|-------------|----------------|------------------|----------|---------------------------------------|-------------|------------|--|------------------------------|--|
| mat'l. code | | surface ISO 1302 | | tolerance ISO 406 ISO 1101 | | projection | | product family BSTIK | |
| ltr | ecn no | dr | date | tolerances unless otherwise specified | | mm | | title | |
| BT | F08-0236 | LMU | 09.11.13 | angles | linear | mm | | HEADER STR,DR DOUBLE BODY | |
| BN F04-0387 | | LMU | 04.12.20 | dr | COMPAGNON J | 94.05.05 | | dwg no sheet 2 of - size | |
| BP F05-0404 | | LMU | 05.12.05 | enfr | JMC | 95.08.28 | | 76745 A3 | |
| BR F06-0196 | | LMU | 06.06.20 | chr | | | | type CUSTOMER Drawing | |
| BS F07-0180 | | LMU | 07.04.24 | appd | JMC | 95.08.28 | | | |
| sheet index | revision sheet | | | | | | | | |

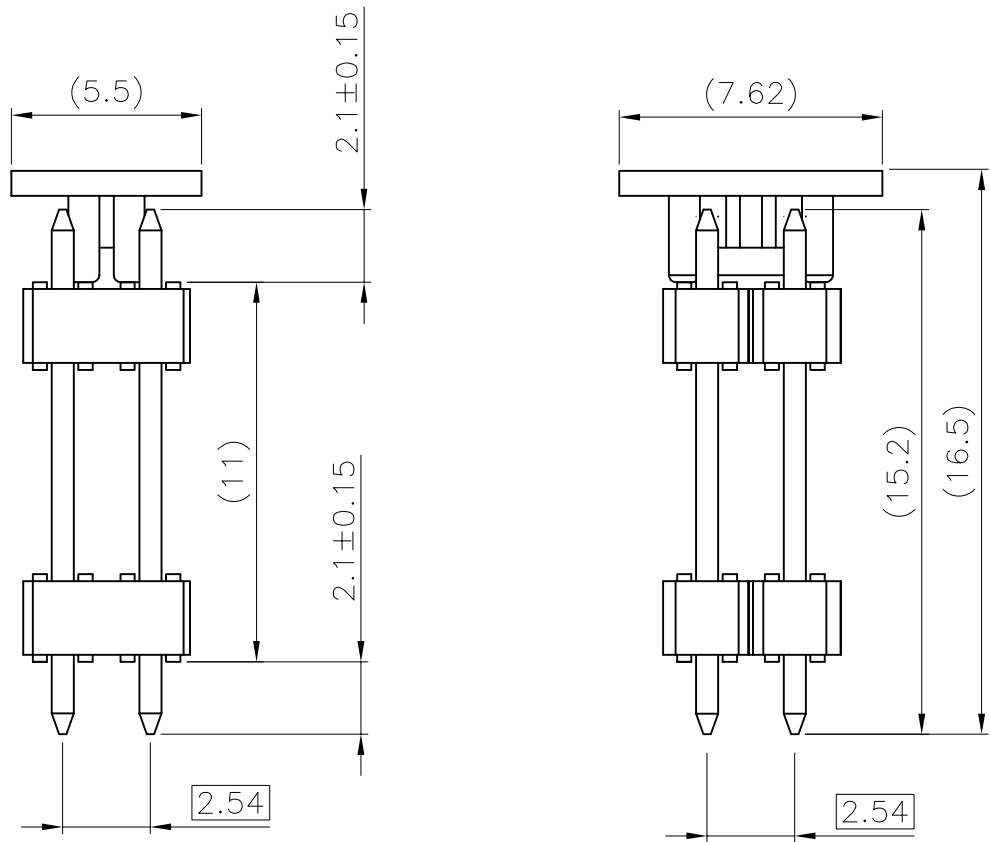
SPECIFIC PRODUCT NUMBER

76745-3DCA04LF

- RoHs COMPLIANT
- TOTAL NB OF POS
- PACKAGING TYPE, SEE NOTE 1
- PIN STYLE
- PLATING
3 = 2µm MATTE TIN
OVER 1.27µm Ni MIN

NOTES :

1. PACKAGING : A = TAPE & REEL PACKAGING WITH PICK UP CAP INSTALLED SEE TA 840
2. PRODUCT COMPATIBLE WITH REFLOW PROCESS. 255°C PEAK TEMPERATURE 10-40 SECONDES IN A CONVECTION, INFRA-RED OR VAPOR PHASE



Copyright FCI

| | | | | | | | | | |
|-------------|----------------|----------|----------|---------------------------------------|-----------|------------|--|-----------------------|--|
| mat'l. code | | surface | | tolerance | | projection | | product family | |
| | | ISO 1302 | | ISO 406 ISO 1101 | | | | BSTIK | |
| ltr | ecn no | dr | date | tolerances unless otherwise specified | | mm | | title | |
| A | F06-110 | LMU | 06.01.26 | angles | linear | | | HEADER STR,DR | |
| B | F06-0196 | LMU | 06.06.20 | | | | | DOUBLE BODY | |
| C | F07-0266 | J.CO | 07.10.15 | | | scale | | sheet 3 of - size | |
| | | | | dr | L.MULIN | 06.01.31 | | dwg no | |
| | | | | eng | COMPAGNON | 06.01.31 | | 76745 | |
| | | | | chr | | | | A3 | |
| | | | | appd | JMC | 06.01.31 | | type CUSTOMER Drawing | |
| sheet index | revision sheet | | | | | | | | |