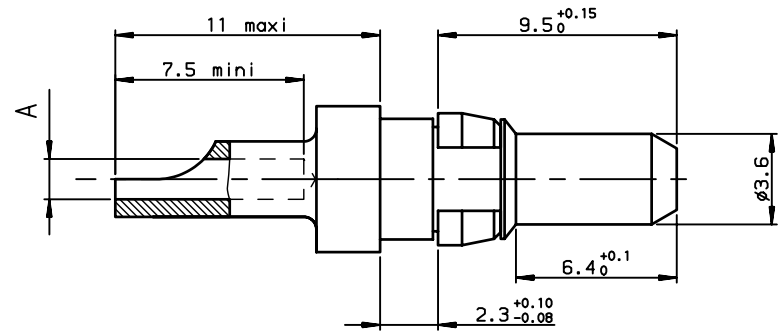


PART NUMBER
8609-M31-XX-CXLF

TERMINATION	DIMENSION A	CURRENT RATING AT 20°C
01	1.70	10 A
02	2.80	20 A
03	3.50	30 A
04	4.80	40 A

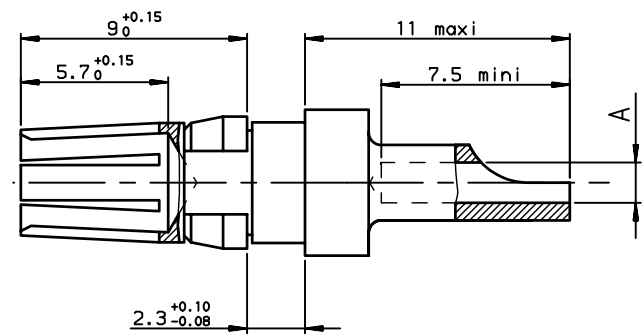
PLATING	THICKNESS
C0	NICKEL (all area)
C1	0.8µ AU (mating area)
C4	1.5µ AU (mating area)



PART NUMBER
8609-F31-XX-CXLF

TERMINATION	DIMENSION A	CURRENT RATING AT 20°C
01	1.70	10 A
02	2.80	20 A
03	3.50	30 A
04	4.80	40 A

PLATING	THICKNESS
C0	NICKEL (all area)
C1	0.8µ AU (mating area)
C4	1.5µ AU (mating area)



TECHNICAL CHARACTERISTICS:

- INSERTION / WITHDRAWAL FORCE : < 10 N
- CONTACT RESISTANCE : < 1 ma under 10 A

OTHER CHARACTERISTICS: SEE INSERTS ACCORDING TO DIN 41626

NOTE: RoHS INFORMATIONS

- The "LF" product meets European union Directives and other country regulations as described in GS-22-008.
- The product is not intended to be exposed to a manufacturing solder process.
- Packaging spec: see GS-14-920.

rev	ecn no	dr	date
A	LS06-0022	LEG	2006/03/11
B	LS06-0095	LGO	2006/06/29
C	LS08-0160	LGO	2008/07/10
-	-	-	-
-	-	-	-
-	-	-	-
-	-	-	-

www.fciconnect.com		surface ISO 1302 ✓	tolerance std ISO 406 ISO 1101	projection A3	mm
TOLERANCES UNLESS OTHERWISE SPECIFIED					
Dr	H.LEGALLIC	2006/03/11	ANGULAR	0.X ±0.1	size A3
Eng	H.LEGALLIC	2006/03/11	LINEAR	0.XX ±0.1	Scale 5
Chr	LEGARRE	2006/03/11	0.XX' ±2'	0.XXX ±0.1	ECN LS08-0160
Appr	LEGARRE	2006/03/11	Product family DIN 8609		Spec ref -
		MALE AND FEMALE POWER CONTACTS SOLDER TO CABLE		dwg no C-8609-1208	Rev. C
catalog no			CUSTOMER		sheet 1 of 1

European Views