

1

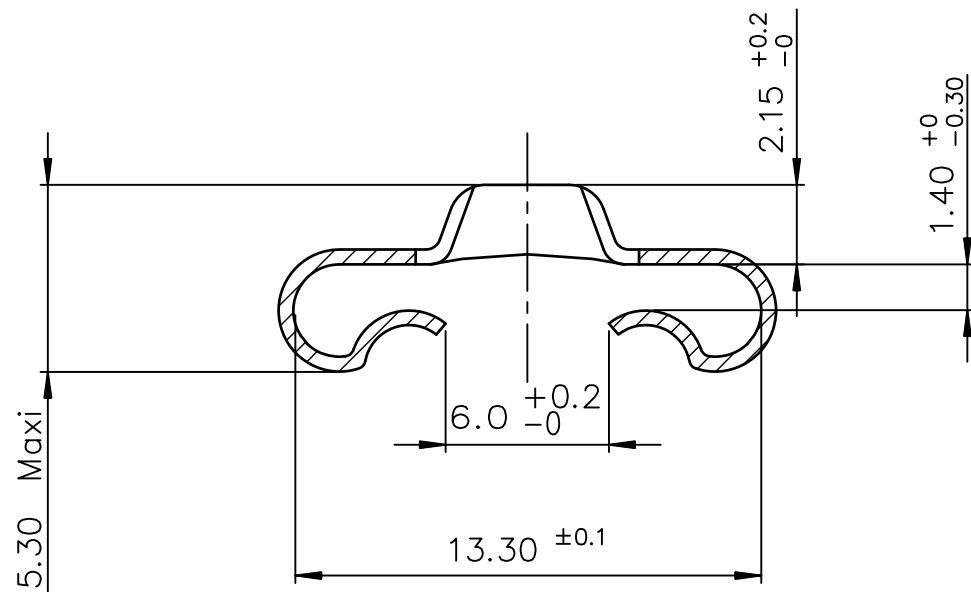
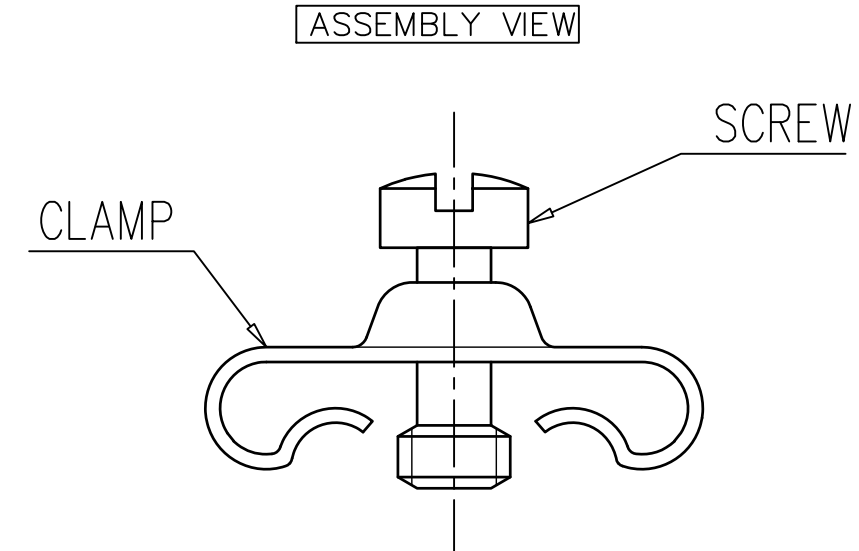
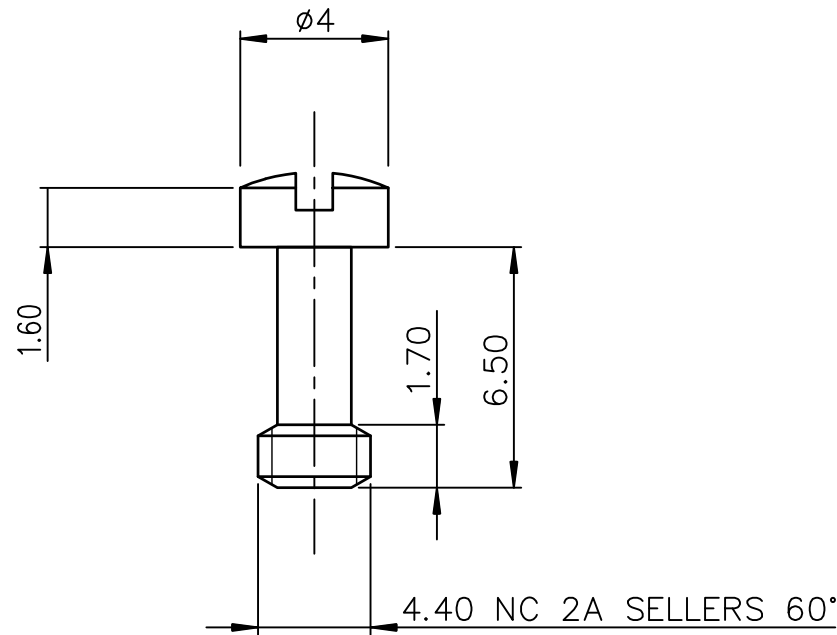
2

3

4

NOTES

Pieces assembly
 Packaging : per 100 piece
 Material : steel
 Plating : yellow chromate cadmium
 Thread : UNC 4.40



Part Number **863008A**

European Views

www.fciconnect.com		surface ISO 1302 ✓	tolerance std ISO 406 ISO 1101	projection mm
TOLERANCES UNLESS OTHERWISE SPECIFIED				
Dr	JOUBERT	1995/06/20	ANGULAR	0.X ±0.1
Eng	M.PESSON	1995/06/20	LINEAR	0.XX ±0.1
Chr	ABHILASH	2011/01/25	0.XX ±2	0.XXX ±0.1
Appr	SUDHIR	2011/01/25	Product family	D-SUB
size				A3
ECN				111-0022
Spec ref				-

rev	ecn no	dr	date
B	-	SJO	1998/03/27
C	LS06-0101	MPE	2006/06/27
D	LS06-0001	MPE	2007/01/02
E	LS09-0006	PCR	2009/01/08
F	I09-0132	AMR	2009/07/09
G	I11-0022	AMR	2011/01/25
-	-	-	-



MALE SCREW LOCKS

D SUB ACCESSORIES

catalog no

dwg no

C01-8655-0675

CUSTOMER sheet 1 of 1

Rev.

G

