

1

2

3

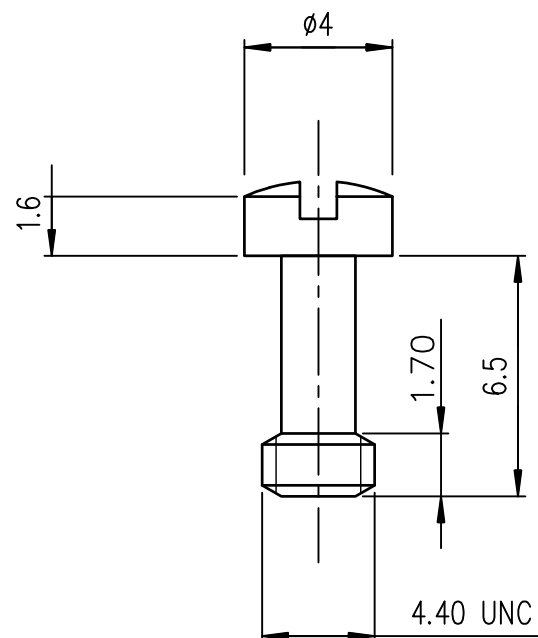
4

NOTES

Packaging:
per 100 pieces.

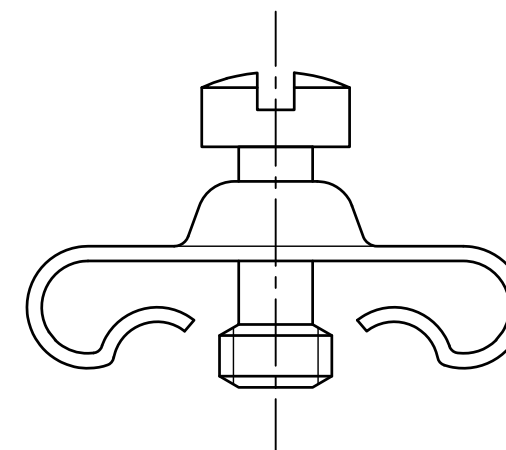
Corrosion resistance:
24 hours exposure to salt spray

A



B

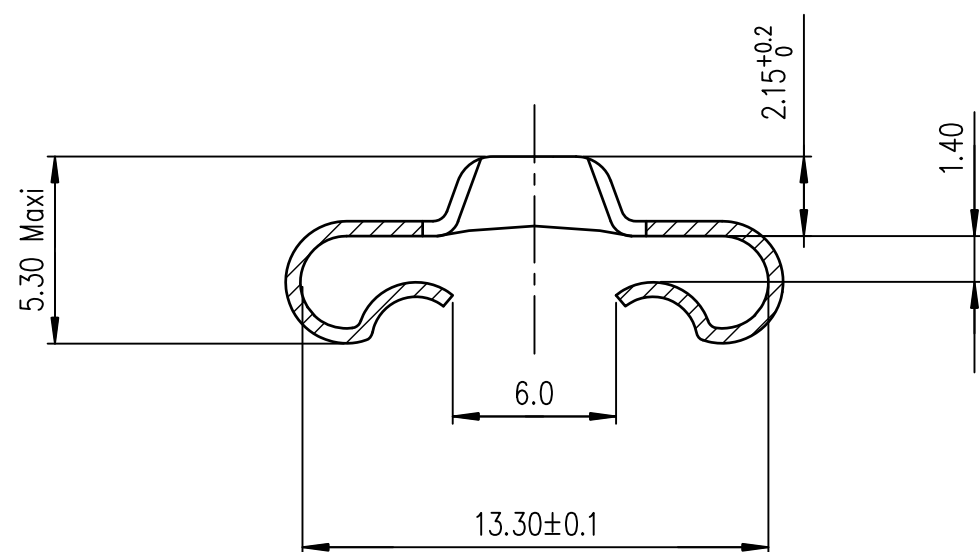
ASSEMBLY VIEW



A

B

C



C

Part number	863008AT
Part number	863008ATLF



Copyright FCI.

D

NOTE: RoHS INFORMATIONS

- The "LF" products meet European union Directives and other country regulations as described in GS-22-008.
- Plating Sn (pure bright) over copper
- Packaging spec: see GS-14-920

European Views

www.fciconnect.com			surface ISO 1302 <input checked="" type="checkbox"/>	tolerance std ISO 406 ISO 1101	projection 	mm
TOLERANCES UNLESS OTHERWISE SPECIFIED						
Dr	JOUBERT	1994/07/01	ANGULAR	0.X	±0.1	size A3
Eng	PESSON	1994/07/01		LINEAR	0.XX	
Chr	ABHILASH	2011/01/25	0.XX ±2	0.XXX	±0.1	ECN 111-0022
Appr	SUDHIR	2011/01/25	Product family		D-SUB	Spec ref -
FCI			title MALE SCREW LOCKS		dwg no C01-8655-0653	
-			-		Rev. E	
-			-		CUSTOMER sheet 1 of 1	
-			-		-	

rev	ecn no	dr	date
B	-	JOU	2003/01/28
C	LS05-0026	MPE	2005/07/08
D	LS06-0097	LGO	2006/07/28
E	I11-0022	AMR	2011/01/25
-	-	-	-
-	-	-	-
-	-	-	-

1

2

3

4