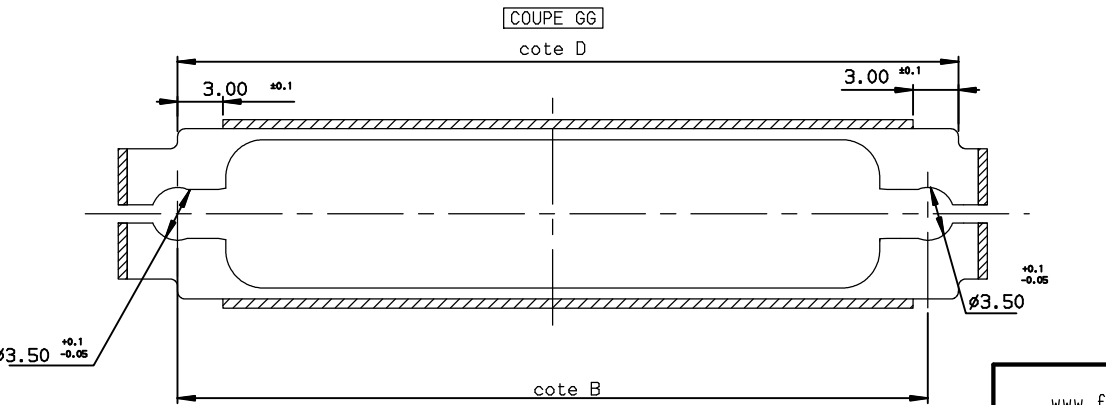
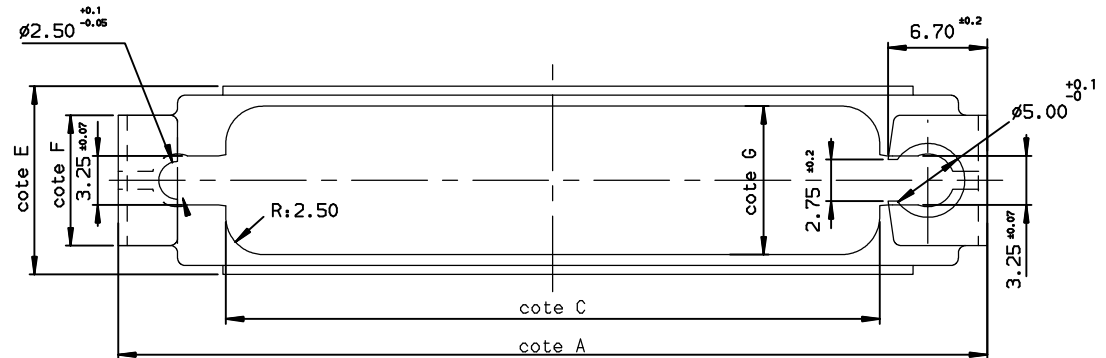
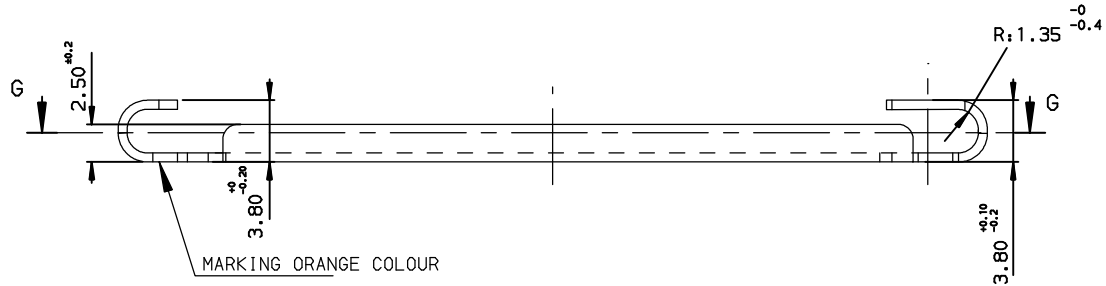


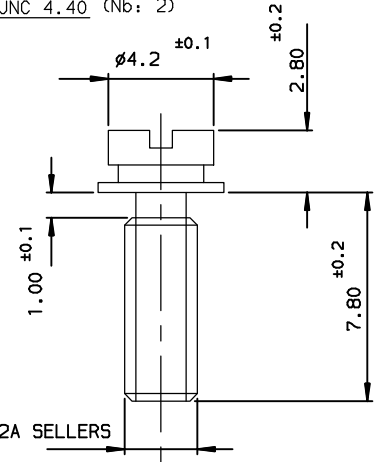
Copyright FCI. FCI



SHELL	PART NUMBERS standard plate	A <sup>+0.25</sup>	B <sup>+0.15</sup>	C <sup>+0.25</sup>	D <sup>+0.25</sup>	E <sup>+0.05 -0.40</sup>	F <sup>+0.25</sup>	G <sup>+0.25</sup>	Packaging
09	863077ASP206	35.70	27.50	21.40	28.65	12.50	8.65	9.85	1 piece
15	863078ASP206	44	35.80	29.40	36.95	12.50	8.65	9.85	1 piece
25	863079ASP206	57.75	49.55	43.40	50.70	12.50	8.65	9.85	1 piece
37	863080ASP206	74.25	66.05	59.90	67.20	12.50	8.65	9.85	1 piece
50	863081ASP206	71.85	63.65	57.25	64.80	15.00	11.30	12.80	1 piece

SHELL	PART NUMBERS standard plate	A <sup>+0.25</sup>	B <sup>+0.15</sup>	C <sup>+0.25</sup>	D <sup>+0.25</sup>	E <sup>+0.05 -0.40</sup>	F <sup>+0.25</sup>	G <sup>+0.25</sup>	Packaging
09	863077ASP206LF	35.70	27.50	21.40	28.65	12.50	8.65	9.85	1 piece
15	863078ASP206LF	44	35.80	29.40	36.95	12.50	8.65	9.85	1 piece
25	863079ASP206LF	57.75	49.55	43.40	50.70	12.50	8.65	9.85	1 piece
37	863080ASP206LF	74.25	66.05	59.90	67.20	12.50	8.65	9.85	1 piece
50	863081ASP206LF	71.85	63.65	57.25	64.80	15.00	11.30	12.80	1 piece

SCREW THREAD UNC 4.40 (Nb: 2)



4.40 NC 2A SELLERS

LOOKING WASHER (Nb: 2)

NUT (Nb: 2)

European Views

NOTE:RoHS INFORMATIONS

- The "LF" products meet European union Directives and other country regulations as described in 6S-22-008.
- Plating Sn (pure bright) over copper
- Packaging spec: see 6S-14-920

rev	ecn no	dr	date
A	-	JAR	2003/02/20
B	LS05-0026	MPE	2005/07/08
C	LS06-0095	LGO	2006/07/24
-	-	-	-
-	-	-	-
-	-	-	-

www.fciconnect.com		surface ISO 1302 ✓	tolerance std ISO 406 ISO 1101	projection mm
TOLERANCES UNLESS OTHERWISE SPECIFIED		ANGULAR	LINEAR	size A3
Dr	JARRY	2003/02/20	0.X	±0.1
Eng	PESSON	2003/02/20	0.XX	±0.1
Chr	LEGARE	2003/02/20	0.XXX	±0.1
Appr	LEGARE	2003/02/20	Product family	D-SUB
title SLIDE LOCKS		spec no C01-8655-1573		Rev. C
catalog no		CUSTOMER		sheet 1 of 1