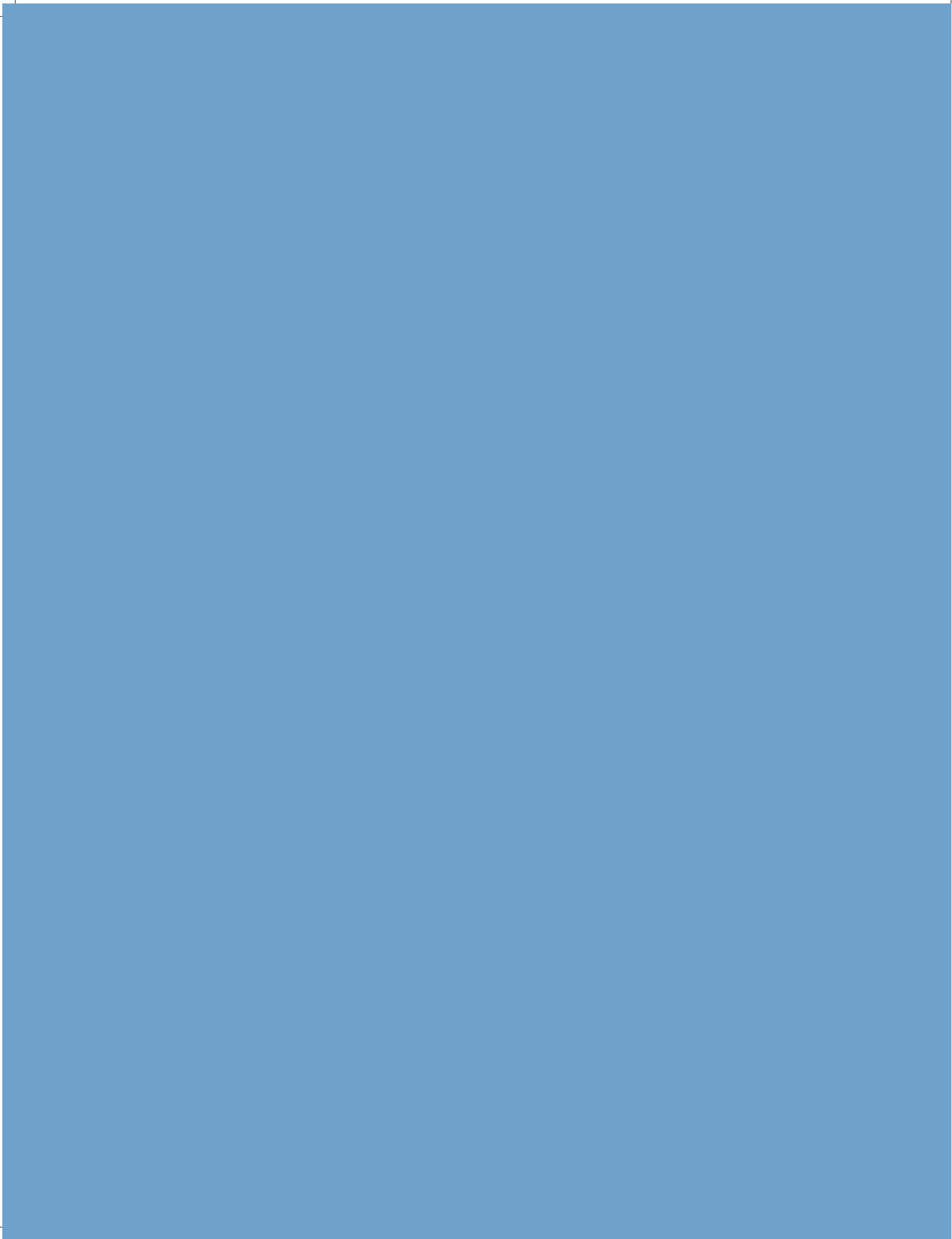


# SWITCH CATALOG







# SAFRAN

## Labinal Power Systems

### SAFRAN

IS A LEADING INTERNATIONAL HIGH-TECHNOLOGY GROUP and Tier-1 supplier of systems and equipment for aerospace, defense and security.

Operating worldwide,

Safran has 66,300 employees and generated sales of 14.7 billion euros in 2013. Through our global presence Safran not only enhances competitiveness, but also builds industrial and commercial relations with the world's leading prime contractors and operators, while providing fast, local service to customers around the world. Working alone or in partnership, Safran holds world or European leadership positions in its core markets.

# LEADERSHIP POSITIONS IN EACH OF OUR CORE BUSINESSES



## AEROSPACE PROPULSION

**Aircraft engines:** Carrying on the CFM56 tradition, Safran and GE, through CFM International, a 50/50 joint company between Snecma (Safran) and GE, have launched the new LEAP engine, which will power the Airbus A320neo, Boeing 737 MAX and Comac C919. Safran offers the SaM146 engine for regional jets, through PowerJet, a 50/50 joint company between Snecma (Safran) and NPO Saturn, and is developing the Silvercrest® for business jets. In the military sector, Safran makes the M88 engine for the Rafale fighter and the TP400 turboprop for the Airbus A400M military transport, through the Europrop International GmbH consortium. We also provide maintenance, repair and overhaul (MRO) services for our engines.

**Helicopter turbine engines:** Safran makes the Arrius and Arriel turboshaft engines for light to medium helicopters (by Airbus Helicopters, Bell Helicopter, Sikorsky, Agusta Westland, etc.), and is developing the Arrano. Our engines power the Airbus Helicopters Tiger and the HAL Dhruv, and we have designed the Ardiden 3 for new helicopters in the 6- to 8-ton class (by Kamov, Avic, etc.). Safran also makes the Makila and RTM322 engines for heavy helicopters. In other words, Safran makes turbine engines for all major helicopter manufacturers, and provides associated MRO services.

**Space:** Safran makes the Vulcain®2 and HM7B cryogenic engines for Ariane 5, along with its solid rocket motors. We are developing the new Vinci® upper-stage engine for Ariane 5 ME and Ariane 6, and we are prime contractor, along with Avio, for the solid rocket motors on the first stage of Vega and on Ariane 6. Safran also provides satellite equipment, including plasma thrusters, liquid propellants, pyrotechnic devices, etc.

**N°. 1 WORLDWIDE in engines for commercial aircraft with more than 100 seats (in partnership with GE) and helicopter turbine engines**

**N°. 2 WORLDWIDE in cryogenic rocket engines and solid propulsion**

**N°. 4 WORLDWIDE in military aircraft engines**

## AIRCRAFT EQUIPMENT

**Landing and braking systems:** Safran designs, produces and supports landing gear, wheels, carbon brakes and related systems for civil and military fixed and rotary-wing aircraft. These systems are used on many different aircraft, including the Airbus A320, A350 XWB, A380 and A400M, the Boeing Next-Generation 737, 737 MAX, 767, 777 and 787 Dreamliner, the Rafale, Eurofighter Typhoon, F-18, etc.

**Engine systems and equipment:** Safran is the sole nacelle systems integrator for the Airbus A380. Working alone or in partnership with GE, Safran is developing nacelles for LEAP engines (Airbus A320neo and Comac C919) and for the Silvercrest® and GE Passport business jet engines. We also offer mechanical power transmission systems for civil and military airplanes, as well as helicopters.

**Electrical systems and engineering:** Safran has developed expertise in all aircraft electrical systems, including power generation, distribution and conversion, wiring, load management and ventilation. We provide wiring harnesses and electrical cabinets for many different Airbus and Boeing models, and we are developing the electrical distribution system for Embraer's upcoming KC-390 transport. We also offer engineering services, covering aerostructures, mechanical systems and onboard software.

**N°. 1 WORLDWIDE in landing gear, wheels and carbon brakes (1)**

**N°. 1 WORLDWIDE in aircraft electrical interconnection systems**

**N°. 1 WORLDWIDE in power transmissions (1)**

**A WORLD LEADER in aircraft engine nacelles**



(1) For commercial aircraft, in partnership with BAE Systems

# SECURITY



## DEFENSE

**Optronics:** Safran is in charge of the FELIN infantry soldier modernization system, offering enhanced observation, communications, mobility and other capabilities. We design portable observation systems and optronic (electro-optical) systems for land vehicles, aircraft and submarines. We also make the Sperwer tactical drone, we're developing the Patroller™ long-endurance drone, and we offer high-performance space optics (for Helios, Meteosat, Spot and other satellites).

**Avionics:** Safran offers inertial or hybrid navigation systems, along with sensors. We are the prime contractor for the AASM Hammer guided missile, deployed by Rafale fighters. We also supply the seekers for the Mistral and Mica IR missiles, and we are developing the seeker and sight for the upcoming MMP medium-range missile system. Safran is developing various flight control systems for Airbus Helicopters' new X4. Our Cassiopée offering groups a wide range of flight data analysis services.

**Electronics and safety-critical software:** Safran provides processing units and printed circuit boards for the Airbus A380 and A400M, Boeing 787, Rafale, the NH90 and Caracal helicopters, and other aircraft, which handle engine control, flight control, landing and braking functions and more. We are developing sophisticated new safety-critical software for different onboard systems.

**N°. 1 WORLDWIDE in helicopter flight controls**  
**N°. 1 WORLDWIDE in engine control units (1)**  
**N°. 1 IN EUROPE for tactical drones, optronic systems and inertial navigation**

**Civil identification:** Safran helps governments protect citizens' unique identity through identity management solutions and secure ID documents. We are also developing authentication platforms to provide secure online services.

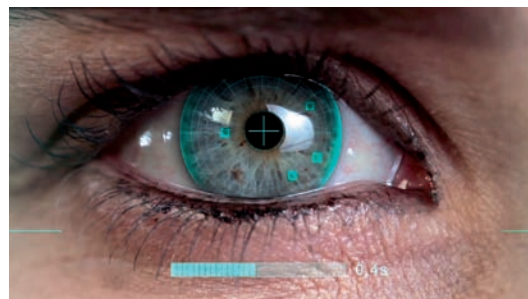
**Digital ID and smart transactions:** Safran is a world leader in digital identity and secure online transactions, thanks to our strong authentication software platforms, smart cards and tokens. These technologies are used by the banking and telecom sectors, as well as for digital identity management.

**Public safety:** Because of our unrivaled expertise in multibiometric identification technologies and explosives and narcotics detection systems, Safran helps police forces and other law enforcement organizations protect people and society in general.

**Critical infrastructures:** Safran helps protect high-risk facilities by offering advanced detection and biometric access control systems.

**Transport and border control:** Safran ensures the security of transportation sites through our identification, detection and border control solutions.

**N°. 1 WORLDWIDE in biometric ID solutions**  
**N°. 1 WORLDWIDE in automated identification systems based on fingerprint, iris and facial recognition**  
**N°. 1 WORLDWIDE in computed-tomography explosive detection systems (EDS) for checked baggage**  
**N°. 4 WORLDWIDE in smart cards**



(1) For commercial aircraft, in partnership with BAE Systems

## Accessories G1 - G5

### Cross Reference

- Part Number to Page Index 5
- Military P/N to Labinal Power Systems P/N H2 - H7
- Test Requirements per MIL Specs H8 - H9

### Glossary of Terms H10 - H12

### Capabilities 6 – 7

### EMI/RFI Shielded Pushbutton Switches B14 - B19

#### Environmentally Sealed Switches

- Environmentally Sealed Rocker Switches C-9 - C-31
- Environmentally Sealed Toggle Switches A2 - A34
- Limit Switches E1 - E3
- Hermetic Switches E4
- MIL-DTL-3950 Environmentally Sealed A20 - A34 Toggle Switches

### Miniature Switches

- MIL-DTL-8834 Miniature Positive Action A48 - A62
- Four-Pole Miniature Positive Action Toggle A63 - A66
- Miniature Switches with Integrated Wire A60 - A62 Termination System (IWTS)
- Miniature Integral Toggle Switches A67

### Precision Snap Action Switches

- Basic Snap Switches D2 - D4
- Roller, Straight, and Leaf Actuator D5

### Pushbutton Switches

- Illuminated Pushbutton Switches B20
- Sub-Miniature Pushbutton Switches B18 - B19
- Pistol Grip Pushbutton Switches B21 - B23
- Special Designed Pushbuttons B24 - B25
- Standard Pushbutton Switches B2 - B14
- Uniform Panel Appearance (UPA) B15 - B17 Pushbutton Switches

### Rocker Switches

- Econo Switch Sealed Rocker Switches C9 - C18
- «Illuminator» Series Rocker Switches C2- C8
- Removable Button (RB Series) C9 - C12
- Rocker Switches

### Switch Guards & Shields F1 - F8

### Toggle Switches

- Designerline Toggle Switches A8 -A10
- Environmentally Sealed Toggle Switches A2 - A34, A38 - A47
- Environmentally Sealed Toggle Switches with Integrated

### Wire Terminal Systems (IWTS) A27 - A34, A60 -A62

- Environmentally Sealed Positive A38 - A47
- Action Switches
- High Capacity Toggle Switches A68 - A69
- Integral Toggle Switches A67
- MIL-PRF-8805 Toggle Switches A35 - A37
- MIL-DTL-3950 Toggle Switches A20 - A34
- MIL-DTL-8834 Toggle Switches A38 - A62
- Multi-Circuit Toggle Switches A35 - A37
- Econoswitch Line A11 - A19

## Fast information Finder

• Have an Labinal Power Systems part number and need more information? Use the part number to page index on this page to get the exact page of the full product listing.

• Have a Military part number and need the applicable Labinal Power Systems part number? Use the Military Part Number Index in the back of this catalog.

• Know the type of product you want, but not a specific part number? Use the detailed index on the facing page to find the section with those products.

• Need additional information not contained in this catalog? For technical questions, application assistance, or the name of your local authorized distributor, call 1-800-955-7354.

LPS Part No.	Page No.	LPS Part No.	Page No.
15-	G2 - G3	A2-	D5
16-	G3	A20000	B20
24-	G2	A3-200 - A3-215	A35
29-	G2	A5-	D5
32-	G1	B-	C4
49-	G1 - G2	B7070	B19
52-	G3 - G5	B9001	B18
73-	F7	B9021 - B9022	B18
80-	G3 - G5	BR7070	B19
815-	G3	C100	B15
821-	G3	C4100	B15
8492 - 8499	F2	C20050	B8
8500 - 8502	A20	D4-	D2
8503 - 8505	A23	D8-	D2
8510 - 8512	A2	D201 - D207	B2
8520 - 8528	A5	E4-	D2
8530 - 8532	A11	EF-	D2
8533 - 8535	A17	EM-	D2
8536 - 8538	A14	G3-	D2
8540 - 8542	C19	H11-	E2
8543 - 8545	C22	H2200	B4
8546 - 8548	C24	HH-	E4
8551 - 8553	C9	J100	B10
8554 - 8556	C13	J300	B6
8566 - 8568	A8	J4004	B9
8570 - 8572	A27	J20000	B20
8573 - 8575	A30	K3-	D2
8780 - 8782	A68	R00B1 - R00B5	C5
8790 - 8792	A68	S1-	D2
8836 - 8838	A38	S2-	D2
8836KP - 8838KP	A46	S3-	D2
8843 - 8845	A43	T-	A67
8854	A63	TW-	A67
8855 - 8856	A57	W100	B15
8864	F8	W300	B11
8866 - 8869	A48	W403P6	B17
8870	B24	W1501	B17
8879	A65	W9000	B12
8895 - 8897	B21	W9600	B13
8899	B21	W9623	B14
8909	B24	WC150	B15
A-	C4		

**Labinal Power Systems groups all of Safran's electrical power system businesses for the aviation market, encompassing aircraft electrical systems (generation, distribution, conversion, wiring, load management, ventilation, systems integration and support services), along with engineering services for the aerospace, auto and rail sectors.**





# A WORLD-CLASS MANUFACTURER

Already a recognized leader in power electronics, Labinal Power Systems actively supports Safran's strategy in the fast-growing market for «more electric» aircraft. Labinal Power Systems is a center of expertise in aircraft electrical wiring interconnection systems (EWIS), power systems, wiring and advanced engineering, making it the world's leading supplier of equipment for «more electric» aircraft.

## Labinal Power Systems at a glance

Over 13,800 employees at 45 offices and facilities worldwide.

### Engineering

Through its engineering division, Labinal Power Systems offers a full range of engineering services for the aerospace and ground transportation segments.

### Aircraft wiring

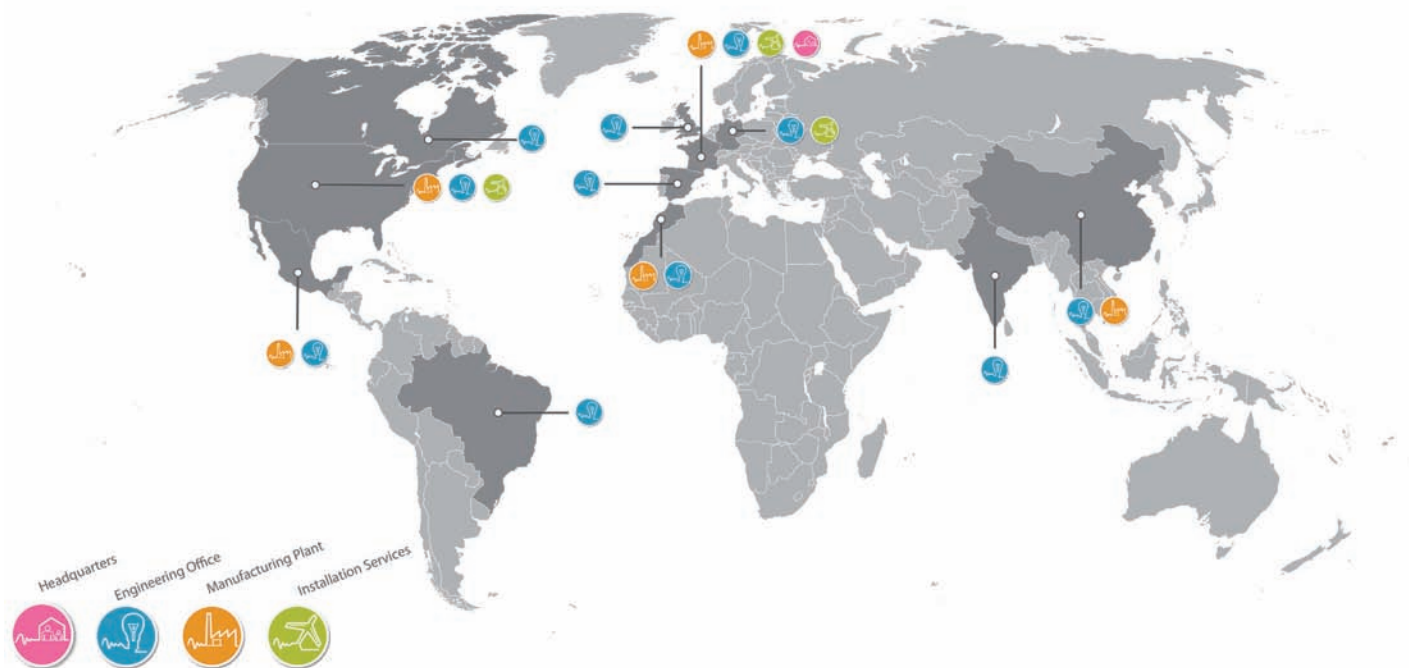
Labinal Power Systems is the world's leading supplier of wiring systems for aircraft, covering design, integration, manufacture and support.

### Power generation and power electronics

Labinal Power Systems is one of the world's major players in power generation systems and power electronics, key components in tomorrow's «more electric» aircraft.

### Ventilation




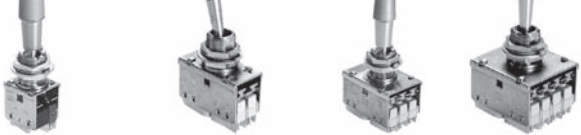

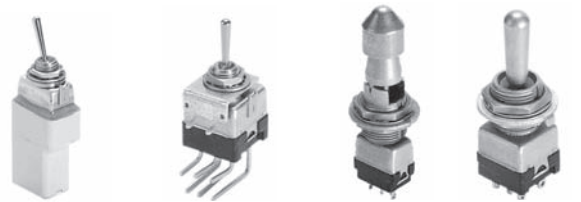


Technofan, a subsidiary of Labinal Power Systems, supplies high-performance ventilation systems and components for civil and military aircraft.



## Notes

# Section A

## Toggle Switches Index

	Index	A1
	<b>Industrial - Environmentally Sealed Switches</b>	<b>A2 – A10</b>
	<ul style="list-style-type: none"> <li>• Watertight seal per MIL-STD-108</li> <li>• Ratings at 28VDC and 115VAC 60/400Hz</li> <li>• One, two and four pole configurations</li> <li>• Toggle, lever lock and designerline Actuator</li> <li>• Positive detent action</li> <li>• Multi-circuit variations offered</li> </ul>	
	<b>Econoswitch - Environmentally Sealed Switches</b>	<b>A11 – A19</b>
	<ul style="list-style-type: none"> <li>• Watertight seal per MIL-STD-108</li> <li>• Ratings at 28VDC and 115VAC 60/400Hz</li> <li>• One, two and four pole configurations</li> <li>• Base compression seal</li> <li>• Toggle, lever lock and designerline Actuator</li> <li>• Terminal variations - screw, spade and solder lug</li> </ul>	
	<b>Military - Environmentally Sealed Switches</b>	<b>A20 – A34</b>
	<ul style="list-style-type: none"> <li>• MS approved and QPL listed to MIL-DTL-3950</li> <li>• One, two and four pole configurations</li> <li>• Terminal variations - screw and IWTS</li> <li>• Toggle and lever lock Actuator</li> <li>• Positive detent action</li> </ul>	
	<b>Multi-Circuit Switches</b>	<b>A35 – A37</b>
	<ul style="list-style-type: none"> <li>• Ratings up to 7 amperes</li> <li>• Two, four, six and eight pole configurations</li> <li>• Lever lock or standard lever Actuator</li> <li>• Double turret terminals</li> <li>• One hold mounting</li> </ul>	
	<b>Environmentally Sealed Positive Action Switches</b>	<b>A38 – A47</b>
	<ul style="list-style-type: none"> <li>• Meets MIL-DTL-8834 requirements</li> <li>• Ratings at 28VDC and 115VAC, 60/400Hz</li> <li>• One, two and four pole configurations</li> <li>• Standard lever and lever lock Actuator</li> <li>• High reliability - Mechanical and electrical</li> <li>• Screw and solder lug</li> </ul>	
	<b>Miniature Positive Action Switches</b>	<b>A48 – A66</b>
	<ul style="list-style-type: none"> <li>• MS approved and QPL listed to MIL-DTL-8834</li> <li>• Rating variation - power to logic levels</li> <li>• One and two pole configuration</li> <li>• Bushing sealed per MIL-DTL-8834</li> <li>• Non-teasible mechanism</li> <li>• Toggle and lever lock Actuator</li> <li>• Terminal variations - solder lug, printed circuit and IWTS</li> </ul>	
	<b>Miniature Integral Switches</b>	<b>A67</b>
	<ul style="list-style-type: none"> <li>• Ratings up to 20 amperes</li> <li>• One and two pole configurations</li> <li>• Choice of terminals</li> <li>• Maintained contacts</li> <li>• One hold mounting</li> </ul>	
	<b>High Capacity Switches</b>	<b>A68 – A69</b>
	<ul style="list-style-type: none"> <li>• High current capability at 28VDC and 115VAC 60 Hz</li> <li>• One and three pole arrangements</li> <li>• Positive detent action</li> <li>• Flush mounted</li> <li>• Large toggle Actuator</li> </ul>	

*\*Most items listed in this catalog are standard products and are normally in Distributor Inventory; however, the current inventory status should be checked by contacting your Labinal Power Systems Customer Service Representative at 800-955-7354 or your authorized Distributor before placing orders.*

# INDUSTRIAL - ENVIRONMENTALLY SEALED SWITCHES

Series - 8510, 8511, 8512

Environmentally Sealed Toggle Switches

FEATURES			CURRENT RATINGS																																																																	
<ul style="list-style-type: none"> <li>Completely sealed against dust, moisture, and other contaminants</li> <li>1, 2 and 4 pole circuitry</li> <li>One hole mounting for easy installation</li> <li>Multi-circuits offered</li> <li>2 &amp; 3 position with maintained and momentary action</li> <li>Molded-in terminal inserts</li> <li>Molded-in terminal numbers</li> </ul>	<ul style="list-style-type: none"> <li>See 8520-8528 for UL recognized and CSA certified version on page 5</li> <li>Water tight seal per MIL-STD-108E and designed to meet IP68</li> <li>Thermoset molding materials meet flame retardant requirements</li> <li>Temperature Range: -50°F to +150°F (-46°C to +66°C)</li> <li>Life: 20,000 operations at rated load</li> <li>Bushing: 15/32" - 32 thread</li> </ul>	<table border="1"> <thead> <tr> <th>No. of Poles</th> <th>Catalog Number</th> <th>Type of Operation</th> <th colspan="3">28VDC</th> <th colspan="3">115 VAC 60 or 400Hz</th> </tr> <tr> <td></td> <td></td> <td></td> <th>Lamp Load</th> <th>Resistive Load</th> <th>Inductive Load</th> <th>Lamp Load</th> <th>Resistive Load</th> <th>Inductive Load</th> </tr> </thead> <tbody> <tr> <td rowspan="2">1</td> <td rowspan="2">8510</td> <td>Maintained</td> <td>5</td> <td>20</td> <td>15</td> <td>3</td> <td>15</td> <td>10</td> </tr> <tr> <td>Momentary</td> <td>4</td> <td>15</td> <td>10</td> <td>2</td> <td>15</td> <td>7</td> </tr> <tr> <td rowspan="2">2</td> <td rowspan="2">8511</td> <td>Maintained</td> <td>7</td> <td>20</td> <td>15</td> <td>4</td> <td>15</td> <td>15</td> </tr> <tr> <td>Momentary</td> <td>5</td> <td>18</td> <td>10</td> <td>2</td> <td>11</td> <td>8</td> </tr> <tr> <td rowspan="2">4</td> <td rowspan="2">8512</td> <td>Maintained</td> <td>5</td> <td>20</td> <td>12</td> <td>4</td> <td>15</td> <td>15</td> </tr> <tr> <td>Momentary</td> <td>4</td> <td>18</td> <td>10</td> <td>2</td> <td>11</td> <td>8</td> </tr> </tbody> </table>	No. of Poles	Catalog Number	Type of Operation	28VDC			115 VAC 60 or 400Hz						Lamp Load	Resistive Load	Inductive Load	Lamp Load	Resistive Load	Inductive Load	1	8510	Maintained	5	20	15	3	15	10	Momentary	4	15	10	2	15	7	2	8511	Maintained	7	20	15	4	15	15	Momentary	5	18	10	2	11	8	4	8512	Maintained	5	20	12	4	15	15	Momentary	4	18	10	2	11	8
			No. of Poles	Catalog Number	Type of Operation	28VDC			115 VAC 60 or 400Hz																																																											
			Lamp Load	Resistive Load	Inductive Load	Lamp Load	Resistive Load	Inductive Load																																																												
1	8510	Maintained	5	20	15	3	15	10																																																												
		Momentary	4	15	10	2	15	7																																																												
2	8511	Maintained	7	20	15	4	15	15																																																												
		Momentary	5	18	10	2	11	8																																																												
4	8512	Maintained	5	20	12	4	15	15																																																												
		Momentary	4	18	10	2	11	8																																																												
<b>SELECTION TABLE</b>			<b>FLUSH TERMINAL SCREWS</b>																																																																	



8510



8511



8512

CIRCUIT WITH LEVER IN . . .			ONE POLE	TWO POLE	FOUR POLE
Up Position	Center Position	Down Position (Keyway)	Catalog Number	Catalog Number	Catalog Number
ON	OFF	ON	8510K1	8511K1	8512K1
ON	NONE	OFF	K9	K9	K9
ON	NONE	ON	K4	K4	K4
ON	OFF	NONE	K6	K6	K6
ON	NONE	ON*	8510K5	8511K5	8512K5
* ON	OFF	ON*	K2	K2	K2
NONE	OFF	ON*	K7	K7	K7
ON	NONE	OFF*	K10	K10	K10
OFF	NONE	ON*	K11	K11	K11
ON	OFF	ON*	8510K3	8511K3	8512K3
* ON	ON	NONE	K12	K12	K12
ON	ON	NONE	K13	K13	K13
ON	ON	ON	—	8511K14	8512K15
ON	ON	ON*	—	K15	K16
* ON	ON	ON*	—	K16	K17
ON	ON	ON	—	8511K17	—
ON	ON	ON*	—	K18	—
* ON	ON	ON*	—	K19	—
ON	ON/OFF	ON	—	—	8512K20

\* Momentary contact.

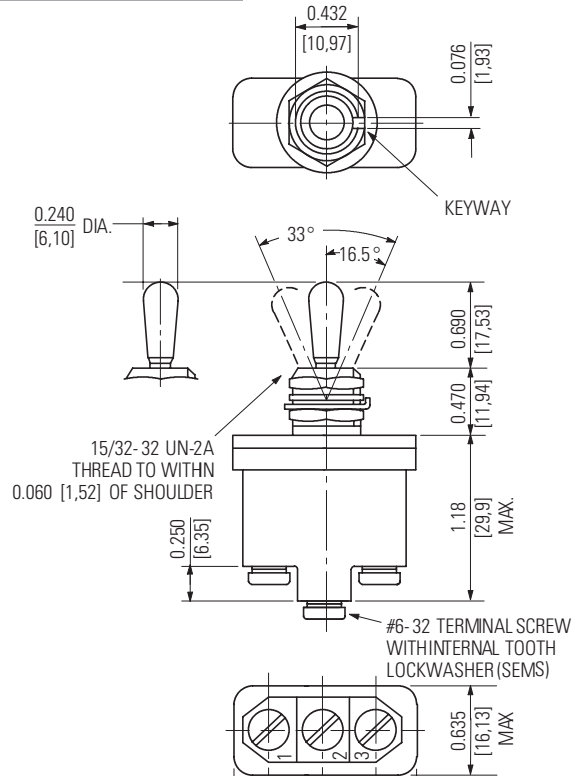
See Page A71 for circuit diagrams.

# INDUSTRIAL - ENVIRONMENTALLY SEALED SWITCHES

## Environmentally Sealed Toggle Switches

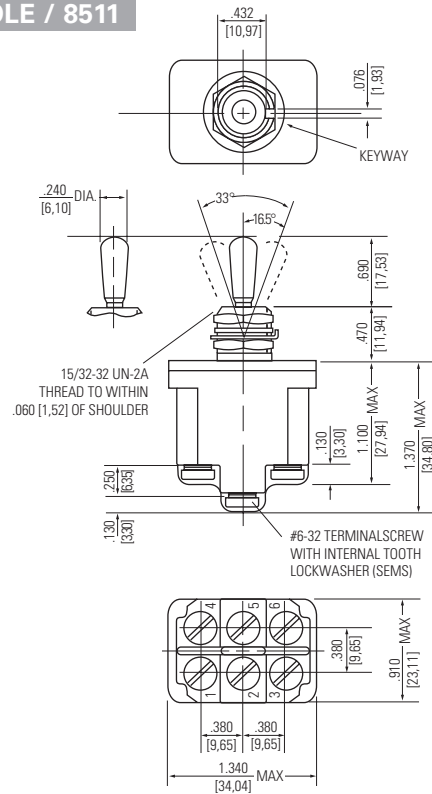
Series - 8510, 8511, 8512

### MOUNTING DIMENSIONS - ONE POLE / 8510



**Terminal Identification**

### MOUNTING DIMENSIONS - TWO POLE / 8511



**Terminal Identification**

**STANDARD**  
0.00 = inches  
[0,0] = mm

Mounting dimensions for reference only.

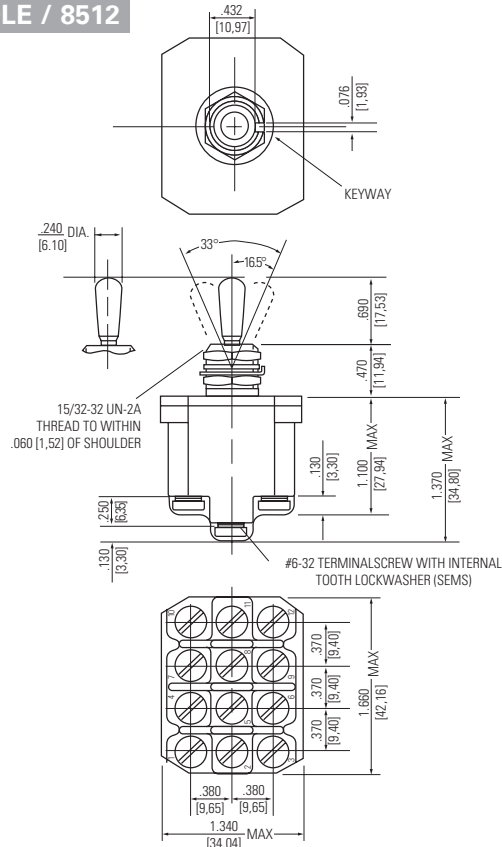
Non-functional terminals not supplied.

# INDUSTRIAL - ENVIRONMENTALLY SEALED SWITCHES

Series - 8510, 8511, 8512

Environmentally Sealed Toggle Switches

## MOUNTING DIMENSIONS - FOUR POLE / 8512



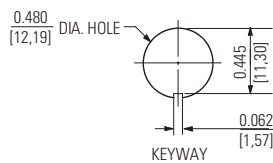
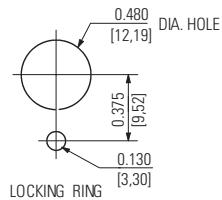
### Terminal Identification

## OPTIONS/ACCESSORIES

- Special mounting hardware
- Mounting hardware furnished assembled
- Terminal screws furnished assembled
- Special toggle levers
- Special circuits
- Panel seal, Part Number 32-341
- Spade terminal adapters available

## PANEL CUTOUT DIMENSIONS

### 15/32 DIA. BUSHING



### STANDARD

0.00 = inches

[0,0] = mm

Mounting dimensions for reference only.

Non-functional terminals not supplied.

Series - 8520-8522, 8526-8528

INDUSTRIAL - ENVIRONMENTALLY SEALED SWITCHES  
Environmentally Sealed Toggle Switches  
UL Recognized and CSA Certified

FEATURES		SPECIFICATIONS		CURRENT RATINGS				
<ul style="list-style-type: none"> <li>Completely sealed against dust, moisture, and other contaminants</li> <li>UL and CSA approved</li> <li>One hole mounted bushing for easy installation</li> <li>Multi-circuits offered</li> <li>2 &amp; 3 position with maintained and momentary action</li> <li>Molded-in terminal inserts and terminal numbers</li> <li>1, 2 and 4 pole circuitry</li> </ul>	<ul style="list-style-type: none"> <li>Watertight seal per MIL-STD-108E and designed to meet IP68</li> <li>Thermoset molding materials meet flame retardant requirements</li> <li>UL recognized and CSA certified per specifications listed below</li> <li>Temperature Range: -50°F to +150°F (-46°C to +66°C)</li> <li>Life: 20,000 operations at rated load 40,000 operations mechanical life 6,000 operations at HP ratings per UL and CSA requirements</li> <li>Bushing: 15/32" - 32 thread</li> </ul>	No. of Poles	Catalog Number	Maximum Horsepower				
				Amperes		1 Phase		3 Phase
				125V	250V	125VAC	250VAC	125/250 VAC
		1	8520	18	9	1/4	1/2	—
		2	8521	18	9	1/2	1	—
4	8522	18	9	1/2	1	1		
1, 2, 4	8526 thru 8528	18	9	—	—	—		

SELECTION TABLE

FLUSH TERMINAL SCREWS



8520/8526



8521/8527



8522/8528

CIRCUIT WITH LEVER IN . . .			ONE POLE	TWO POLE	FOUR POLE
Up Position	Center Position	Down Position (Keyway)	Catalog Number	Catalog Number	Catalog Number
			8520K1	8521K1	8522K1
ON	OFF	ON	K9	K9	K9
ON	NONE	OFF	K4	K4	K4
ON	NONE	ON*	8526K5	8527K5	8528K5
*ON	OFF	ON*	K2	K2	K2
ON	OFF	ON*	8526K3	8527K3	8528K3

\* Momentary contact.

See page A71 for circuit diagrams.

UL & CSA Approval Numbers

UL - Where devices are UL recognized, recognition is listed under file number E15346; Guide card number is WOYR2.

CSA = Where devices are CSA certified, certification number is LR40068, class number 6241.

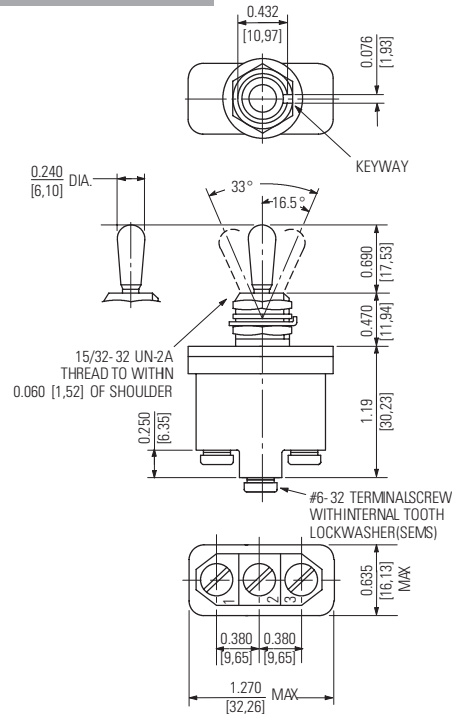
# INDUSTRIAL - ENVIRONMENTALLY SEALED SWITCHES

Series - 8520-8522, 8526-8528

Environmentally Sealed Toggle Switches

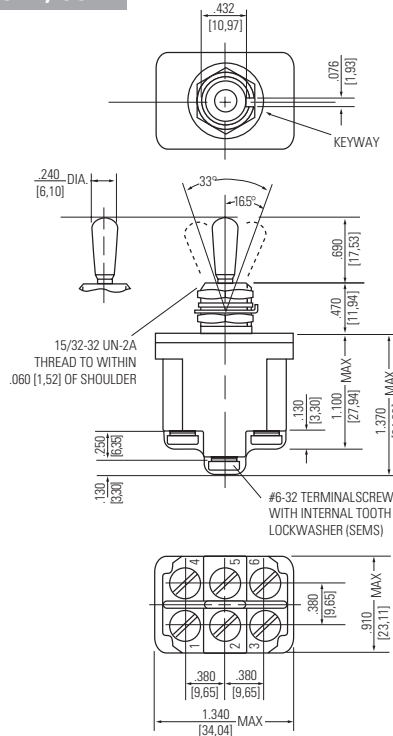
UL Recognized and CSA Certified

## MOUNTING DIMENSIONS - ONE POLE / 8520, 8526



**Terminal Identification**

## MOUNTING DIMENSIONS - TWO POLE / 8521, 8527



**Terminal Identification**

**STANDARD**  
 0.00 = inches  
 [0,0] = mm

Mounting dimensions for reference only.

Non-functional terminals not supplied.



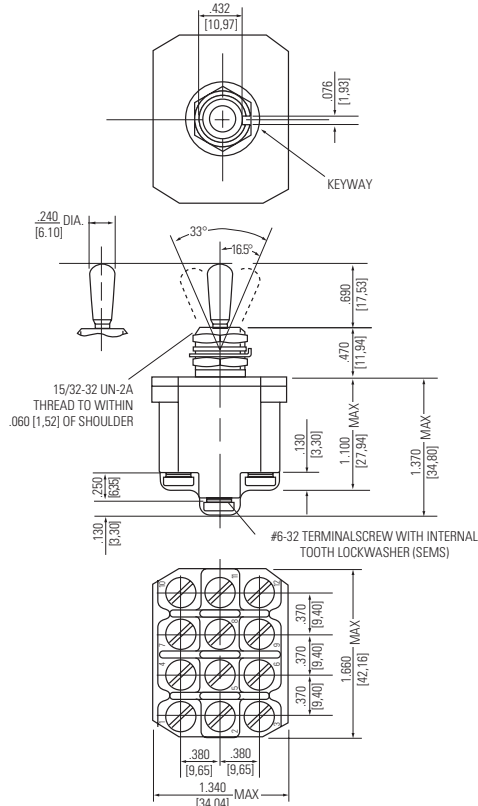
# INDUSTRIAL - ENVIRONMENTALLY SEALED SWITCHES

Series - 8520-8522, 8526-8528

Environmentally Sealed Toggle Switches

UL Recognized and CSA Certified

## MOUNTING DIMENSIONS - FOUR POLE / 8522, 8528



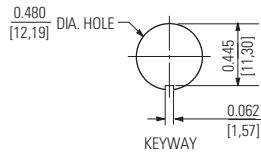
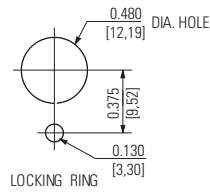
### Terminal Identification

## OPTIONS/ACCESSORIES

- Special mounting hardware
- Mounting hardware furnished assembled
- Terminal screws furnished assembled
- Special circuits
- Panel seal, part number 32-341
- Spade terminal adapters available

## PANEL CUTOUT

### 15/32 DIA. BUSHING



**STANDARD**  
0.00 = inches  
[0,0] = mm

Mounting dimensions for reference only.

Non-functional terminals not supplied.

# INDUSTRIAL - ENVIRONMENTALLY SEALED SWITCHES

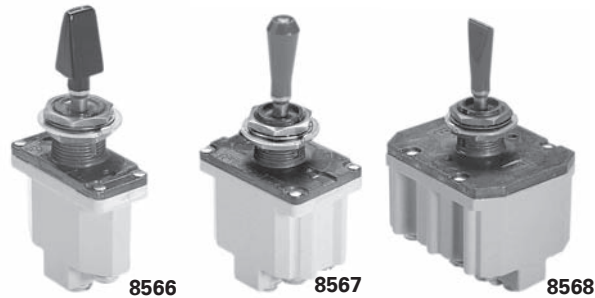
Series - 8566, 8567, 8568

Environmentally Sealed Designerline Toggle Switches

FEATURES	SPECIFICATIONS	CURRENT RATINGS								
		No. of Poles	Catalog Number	Type of Operation	28VDC			115 VAC 60 or 400Hz		
					Lamp Load	Resistive Load	Inductive Load	Lamp Load	Resistive Load	Inductive Load
<ul style="list-style-type: none"> <li>Completely sealed against dust, moisture, and other contaminants</li> <li>Variety of lever styles and colors</li> <li>One hole mounting for easy installation</li> <li>2 &amp; 3 position with maintained and momentary action</li> <li>1, 2 and 4 pole circuitry</li> <li>Molded-in terminal inserts and terminal numbers</li> <li>Color-coded shaped levers for operator feel and cosmetic appearance</li> </ul>	<ul style="list-style-type: none"> <li>Watertight seal per MIL-STD-108E and designed to meet IP68</li> <li>Bushing: 15/32" - 32 thread</li> <li>Temperature Range: -50°F to +150°F (-46°C to +66°C)</li> <li>Life: 20,000 operations at rated load 40,000 operations mechanical life</li> <li>Thermoset molding materials meet flame retardant requirements</li> </ul>	1	8566	Maintained	5	20	15	3	15	10
		Momentary		4	15	10	2	15	7	
		2	8567	Maintained	7	20	15	4	15	15
				Momentary	5	18	10	2	11	8
		4	8568	Maintained	5	20	12	4	15	15
				Momentary	4	18	10	2	11	8

## SELECTION TABLE

### FLUSH SCREW TERMINALS



CIRCUIT WITH LEVER IN . . .			ONE POLE	TWO POLE	FOUR POLE	LEVER SUFFIXES <sup>1</sup>		
Up Position	Center Position	Down Position (Keyway)	Catalog Number	Catalog Number	Catalog Number	Shape <sup>®</sup> Suffix	Color Letter	Suffix Number
			8566K1	8567K1	8568K1	All	White	21
ON	OFF	ON	K9	K9	K9			
ON	NONE	OFF	K4	K4	K4			
ON	NONE	ON	K6	K6	K6			
ON	OFF	NONE	8566K5	8567K5	8568K5	All	Red	22
* ON	NONE	ON*	K2	K2	K2			
* ON	OFF	ON*	K7	K7	K7			
NONE	OFF	ON*	K10	K10	K10			
ON	NONE	OFF*	K11	K11	K11			
OFF	NONE	ON*	8566K3	8567K3	8568K3			
ON	OFF	ON*	K12	K12	K12			
* ON	ON	NONE	K13	K13	K13			
ON	ON	ON	—	8567K14	8568K15	All	Black	27
ON	ON	ON*	—	K15	K16			
* ON	ON	ON*	—	K16	K17			
ON	ON	ON	—	8567K17	—			
ON	ON	ON*	—	K18	—			
* ON	ON	ON*	—	K19	—			

\* Momentary contact.

See page A71 for circuit diagrams.

<sup>①</sup> A complete catalog number consists of a basic switch number followed by a lever shape suffix letter and a two-digit lever color suffix number. Example: 8566K1C21.

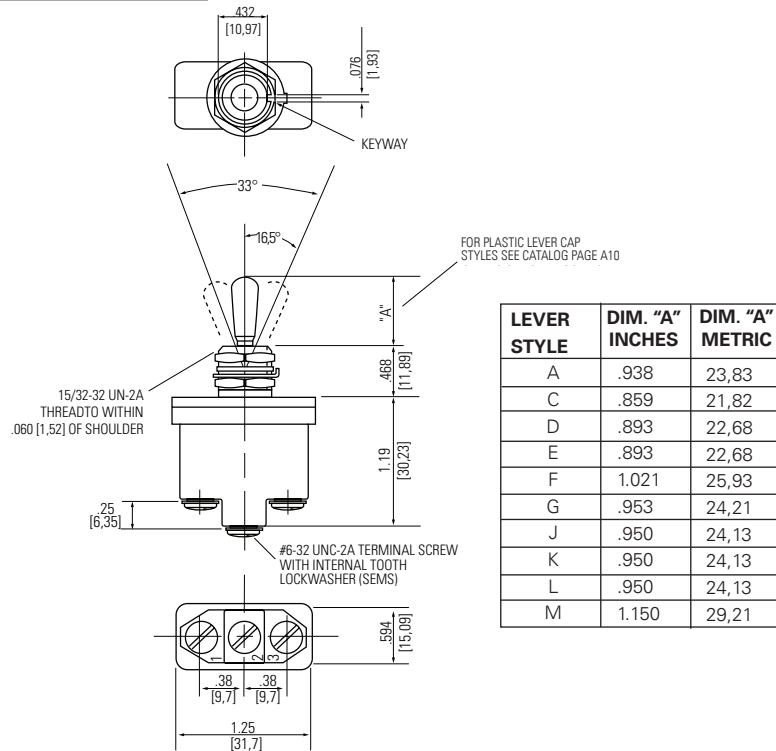
<sup>②</sup> Select lever shape suffix letter from page A10.

Series - 8566, 8567, 8568

# INDUSTRIAL - ENVIRONMENTALLY SEALED SWITCHES

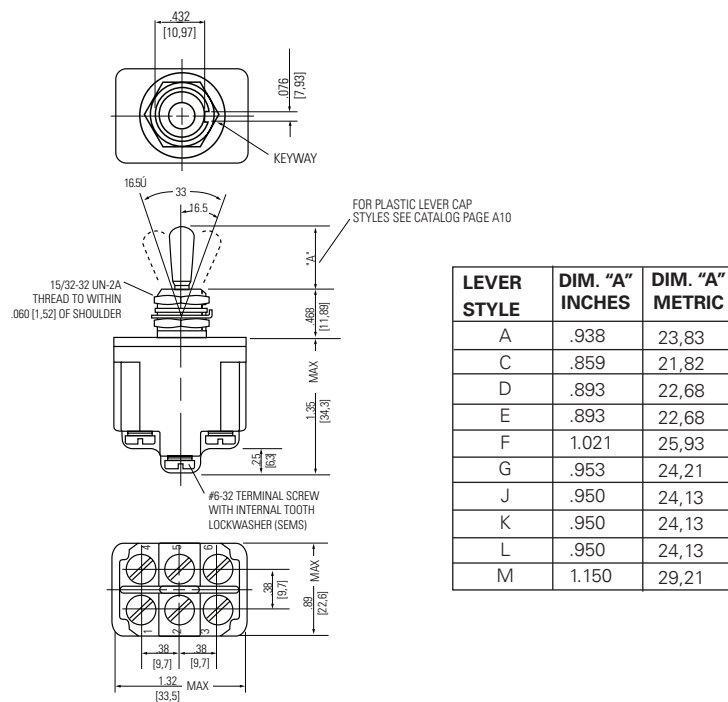
## Environmentally Sealed Designerline Toggle Switches

### MOUNTING DIMENSIONS - ONE POLE / 8566



### Terminal Identification

### MOUNTING DIMENSIONS - TWO POLE / 8567



**STANDARD**  
0.00 = inches  
[0,0] = mm

### Terminal Identification

Mounting dimensions for reference only.

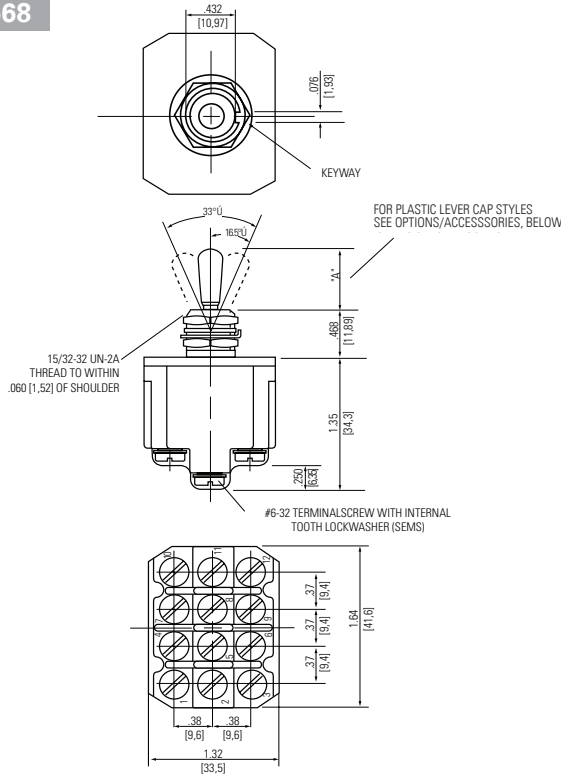
Non-functional terminals not supplied.

# INDUSTRIAL - ENVIRONMENTALLY SEALED SWITCHES

Series - 8566, 8567, 8568

Environmentally Sealed Designerline Toggle Switches

## MOUNTING DIMENSIONS - FOUR POLE / 8568



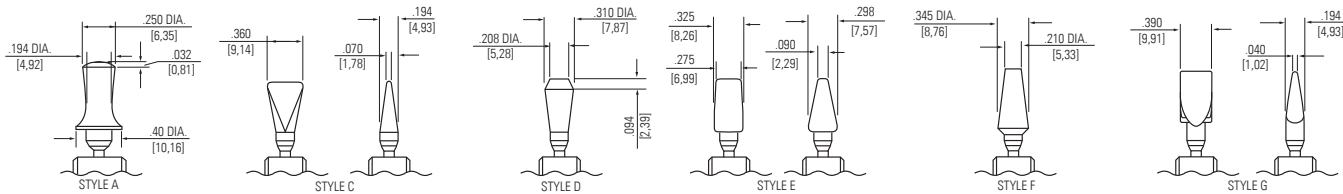
LEVER STYLE	DIM. "A" INCHES	DIM. "A" METRIC
A	.938	23,83
C	.859	21,82
D	.893	22,68
E	.893	22,68
F	1.021	25,93
G	.953	24,21
J	.950	24,13
K	.950	24,13
L	.950	24,13
M	1.150	29,21

### Terminal Identification

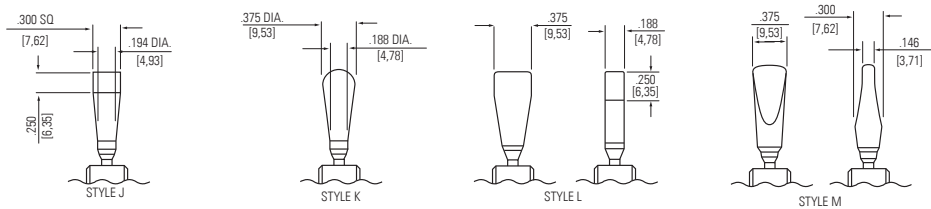
Non-functional terminals not supplied.

## OPTIONS/ACCESSORIES

- Standard colors available - White, red and black

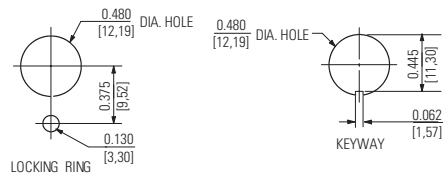


- Special mounting hardware
- Mounting hardware furnished assembled
- Terminal screws furnished assembled
- Spade terminal adapters available
- Panel seal, Part Number 32-341
- Special circuits



## PANEL CUTOUT DIMENSIONS

### 15/32 DIA. BUSHING



**STANDARD**  
0.00 = inches  
[0,0] = mm

Mounting dimensions for reference only.

# INDUSTRIAL - ENVIRONMENTALLY SEALED SWITCHES




Series - 8530, 8531, 8532

Econoswitch Sealed Toggle Switches

FEATURES		SPECIFICATIONS		CURRENT RATINGS						
<ul style="list-style-type: none"> <li>Environmentally sealed</li> <li>1, 2 and 4 pole Circuitry</li> <li>One hole mounting for easy installation</li> <li>Multi-circuits</li> <li>2 &amp; 3 position with maintained and momentary action</li> <li>Three types of termination offered as standard</li> </ul>	<ul style="list-style-type: none"> <li>Watertight seal per MIL-STD-108E and designed to meet IP68</li> <li>UL recognized and CSA certified</li> <li>Three standard types of terminals: Screw 6-32 UNC-2A Solder lug .125 [3,17] dia. hole Spade .250 [6,35] x .032 [0,81] thick</li> <li>Life: 50,000 operations at rated load. 100,000 operations mechanical life.</li> <li>Temperature Range: -50°F to +150°F (-46°C to + 66°C)</li> </ul>	No. of Poles	Catalog Number	Type of Operation	28VDC			115VAC 60 or 400Hz		
					Lamp Load	Resistive Load	Inductive Load	Lamp Load	Resistive Load	Inductive Load
		1	8530	Maintained	5	20	15	3	15	10
				Momentary	4	15	10	2	11	7
		2	8531	Maintained	7	20	15	4	15	15
				Momentary	5	18	10	2	11	8
		4	8532	Maintained	5	20	12	4	15	15
				Momentary	4	18	10	2	11	8

For the UL/CSA ratings, see page A70.

## STANDARD LEVER SELECTION TABLE

		CIRCUIT WITH LEVER IN . . .			CATALOG NUMBER		
		Up Position	Center Position	Down Position (Keyway)	Screw Terminals	Solder Lug Terminals	Spade Terminals
							
<b>ONE POLE</b>							
<b>8530</b>	ON	OFF	ON	8530K1	8530K91	8530K31	
	ON	NONE	OFF	K9	K99	K39	
	ON	NONE	ON	K4	K94	K34	
	ON	OFF	NONE	K6	K96	K36	
	ON	NONE	ON*	8530K5	8530K95	8530K35	
	ON*	OFF	ON*	K2	K92	K32	
	NONE	OFF	ON*	K7	K97	K37	
	ON	NONE	OFF*	K10	K910	K310	
	OFF	NONE	ON*	K11	K911	K311	
	ON	OFF	ON*	8530K3	8530K93	8530K33	
	ON*	ON	NONE	K12	K912	K312	
	ON	ON	NONE	K13	K913	K313	
<b>TWO POLE</b>							
<b>8531</b>	ON	OFF	ON	8531K1	8531K91	8531K31	
	ON	NONE	OFF	K9	K99	K39	
	ON	NONE	ON	K4	K94	K34	
	ON	OFF	NONE	K6	K96	K36	
	ON	NONE	ON*	8531K5	8531K95	8531K35	
	ON*	OFF	ON*	K2	K92	K32	
	NONE	OFF	ON*	K7	K97	K37	
	ON	NONE	OFF*	K10	K910	K310	
	OFF	NONE	ON*	K11	K911	K311	
	ON	OFF	ON*	8531K3	8531K93	8531K33	
	ON*	ON	NONE	K12	K912	K312	
	ON	ON	NONE	K13	K913	K313	
ON	ON	ON	K14	K914	K314		
ON	ON	ON*	K15	K915	K315		
ON*	ON	ON*	8531K16	8531K916	8531K316		
ON	ON	ON	K17	K917	K317		
ON	ON	ON*	K18	K918	K318		
ON*	ON	ON*	K19		K319		
<b>FOUR POLE</b>							
<b>8532</b>	ON	OFF	ON	8532K1	8532K91	8532K31	
	ON	NONE	OFF	K9	K99	K39	
	ON	NONE	ON	K4	K94	K34	
	ON	OFF	NONE	K6	K96	K36	
	ON	NONE	ON*	8532K5	8532K95	8532K35	
	* ON	OFF	ON*	K2	K92	K32	
	NONE	OFF	ON*	K7	K97	K37	
	ON	NONE	OFF*	K10	K910	K310	
	OFF	NONE	ON*	K11	K911	K311	
	ON	OFF	ON*	8532K3	8532K93	8532K33	
	* ON	ON	NONE	K12	K912	K312	
	ON	ON	NONE	K13	K913	K313	
ON	ON	ON	K15	K915	K315		
ON	ON	ON*	K16	K916	K316		
* ON	ON	ON*	K17	K917	K317		

\* Momentary contact.

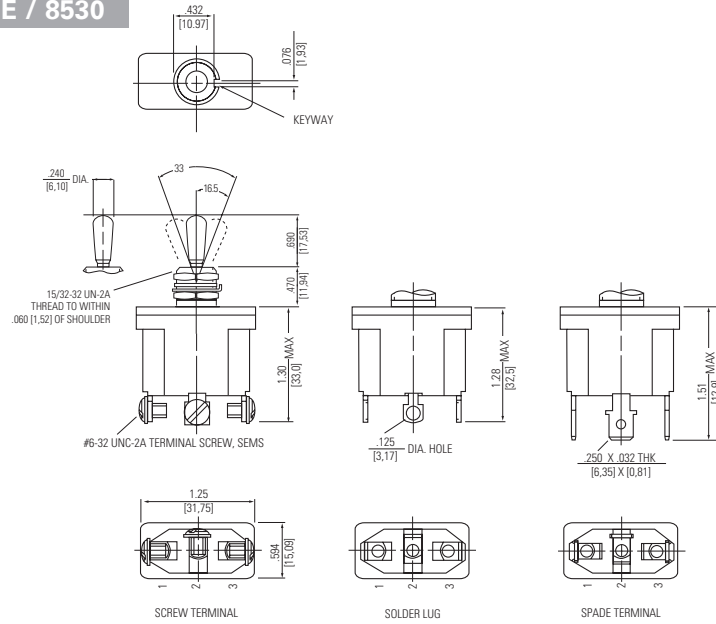
See page A71 for circuit diagrams.

# ECONOSWITCH - ENVIRONMENTALLY SEALED SWITCHES

Series - 8530, 8531, 8532

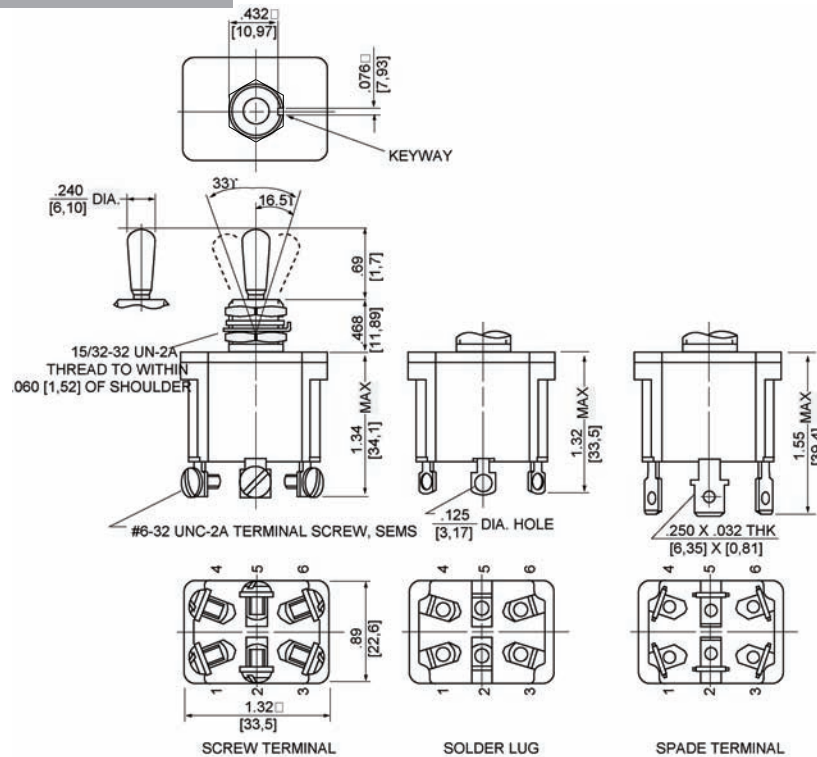
Econoswitch Sealed Toggle Switches

## MOUNTING DIMENSIONS - ONE POLE / 8530



### Terminal Identification

## MOUNTING DIMENSIONS - TWO POLE / 8531



### Terminal Identification

#### STANDARD

0.00 = inches

[0,0] = mm

Mounting dimensions for reference only.

Non-functional terminals not supplied.



# ECONOSWITCH - ENVIRONMENTALLY SEALED SWITCHES




Series - 8536, 8537, 8538

Econoswitch Sealed Leverlock Toggle Switches

FEATURES	SPECIFICATIONS	CURRENT RATINGS								
		No. of Poles	Catalog Number	Type of Operation	28VDC			115VAC 60 or 400Hz		
					Lamp Load	Resistive Load	Inductive Load	Lamp Load	Resistive Load	Inductive Load
<ul style="list-style-type: none"> <li>Environmentally sealed</li> <li>1, 2 and 4 pole circuitry</li> <li>Locking actuator for safety</li> <li>One hole mounting for easy installation</li> <li>Over 25 standard locking configurations</li> <li>2 &amp; 3 position with maintained and momentary action</li> <li>Multi-circuits</li> <li>Three types of termination offered as standard</li> <li>Also available with toggle and Designerline Actuator. For details see page A11 for toggles and page A17 for Designerline.</li> </ul>	<ul style="list-style-type: none"> <li>Watertight seal per MIL-STD-108E and designed to meet IP68</li> <li>UL recognized and CSA certified</li> <li>Temperature range: -50°F to +150°F (-46°C to +66°C)</li> <li>Life: 50,000 operations at rated load 100,000 operations mechanical life</li> <li>Bushing: 15/32" - 32 thread</li> </ul>	1	8536	Maintained	5	20	15	3	15	10
				Momentary	4	15	10	2	11	7
		2	8537	Maintained	7	20	15	4	15	15
				Momentary	5	18	10	2	11	8
		4	8538	Maintained	5	20	12	4	15	15
				Momentary	4	18	10	2	11	8

For the UL/CSA ratings, see page A70.

## LEVER LOCK SELECTION TABLE

CIRCUIT WITH LEVER IN . . .				CATALOG NUMBER			
Up Position	Center Position	Down Position (Keyway)	Screw Terminals	Solder Lug Terminals	Spade Terminals	Available Locking Configurations	
<b>ONE POLE</b>							
	ON	OFF	ON	8536K1 Δ	8536K91 Δ	8536K31 Δ	ALL
	ON	NONE	OFF	K9 Δ	K99 Δ	K39 Δ	D, F, G
	ON	NONE	ON	K4 Δ	K94 Δ	K34 Δ	D, F, G
	ON	OFF	NONE	K6 Δ	K96 Δ	K36 Δ	E, F, K, M
	ON	NONE	ON*	8536K5 Δ	8536K95 Δ	8536K35 Δ	F
	*ON	OFF	ON*	K2 Δ	K92 Δ	K32 Δ	E, L, N
	NONE	OFF	ON*	K7 Δ	K97 Δ	K37 Δ	E
	ON	NONE	OFF*	K10 Δ	K910 Δ	K310 Δ	F
	OFF	NONE	ON*	K11 Δ	K911 Δ	K311 Δ	F
	ON	OFF	ON*	8536K3 Δ	8536K93 Δ	8536K33 Δ	E, F, K, L, M, N
	*ON	ON	NONE	K12 Δ	K912 Δ	K312 Δ	E
	ON	ON	NONE	K13 Δ	K913 Δ	K313 Δ	E, F, K, M
<b>TWO POLE</b>							
	ON	OFF	ON	8537K1 Δ	8537K91 Δ	8537K31 Δ	ALL
	ON	NONE	OFF	K9 Δ	K99 Δ	K39 Δ	D, F, G
	ON	NONE	ON	K4 Δ	K94 Δ	K34 Δ	D, F, G
	ON	OFF	NONE	K6 Δ	K96 Δ	K36 Δ	E, F, K, M
	ON	NONE	ON*	8537K5 Δ	8537K95 Δ	8537K35 Δ	F
	*ON	OFF	ON*	K2 Δ	K92 Δ	K32 Δ	E, L, N
	NONE	OFF	ON*	K7 Δ	K97 Δ	K37 Δ	E
	ON	NONE	OFF*	K10 Δ	K910 Δ	K310 Δ	F
	OFF	NONE	ON*	K11 Δ	K911 Δ	K311 Δ	F
	ON	OFF	ON*	8537K3 Δ	8537K93 Δ	8537K33 Δ	E, F, K, L, M, N
	*ON	ON	NONE	K12 Δ	K912 Δ	K312 Δ	E
	ON	ON	NONE	K13 Δ	K913 Δ	K313 Δ	E, F, K, M
ON	ON	ON	8537K14 Δ	8537K914 Δ	8537K314 Δ	ALL	
*ON	ON	ON*	K15 Δ	K915 Δ	K315 Δ	E, F, K, L, M, N	
*ON	ON	ON*	K16 Δ	K916 Δ	K316 Δ	E, L, N	
*ON	ON	ON*	K19 Δ	K919 Δ	K319 Δ	E, L, N	
<b>FOUR POLE</b>							
	ON	OFF	ON	8538K1 Δ	8538K91 Δ	8538K31 Δ	ALL
	ON	NONE	OFF	K9 Δ	K99 Δ	K39 Δ	D, F, G
	ON	NONE	ON	K4 Δ	K94 Δ	K34 Δ	D, F, G
	ON	OFF	NONE	K6 Δ	K96 Δ	K36 Δ	E, F, K, M
	ON	NONE	ON*	8538K5 Δ	8538K95 Δ	8538K35 Δ	F
	*ON	OFF	ON*	K2 Δ	K92 Δ	K32 Δ	E, L, N
	NONE	OFF	ON*	K7 Δ	K97 Δ	K37 Δ	E
	ON	NONE	OFF*	K10 Δ	K910 Δ	K310 Δ	F
	OFF	NONE	ON*	K11 Δ	K911 Δ	K311 Δ	F
	ON	OFF	ON*	8538K3 Δ	8538K93 Δ	8538K33 Δ	E, F, K, L, M, N
	*ON	ON	NONE	K12 Δ	K912 Δ	K312 Δ	E
	ON	ON	NONE	K13 Δ	K913 Δ	K313 Δ	E, F, K, M
ON	ON	ON	8538K15 Δ	8538K915 Δ	8538K315 Δ	ALL	
ON	ON	ON*	K16 Δ	K916 Δ	K316 Δ	E, F, K, L, M, N	
*ON	ON	ON*	K17 Δ	K917 Δ	K317 Δ	E, L, N	

\* Momentary contact.

Δ Complete part number requires this symbol to be replaced with a locking configuration letter - selected from page A16.

Example: **8536K31**Δ **E** **8536K31E**  
 Basic Switch Locking Style Complete Part Number

See Page A71 for circuit diagrams.

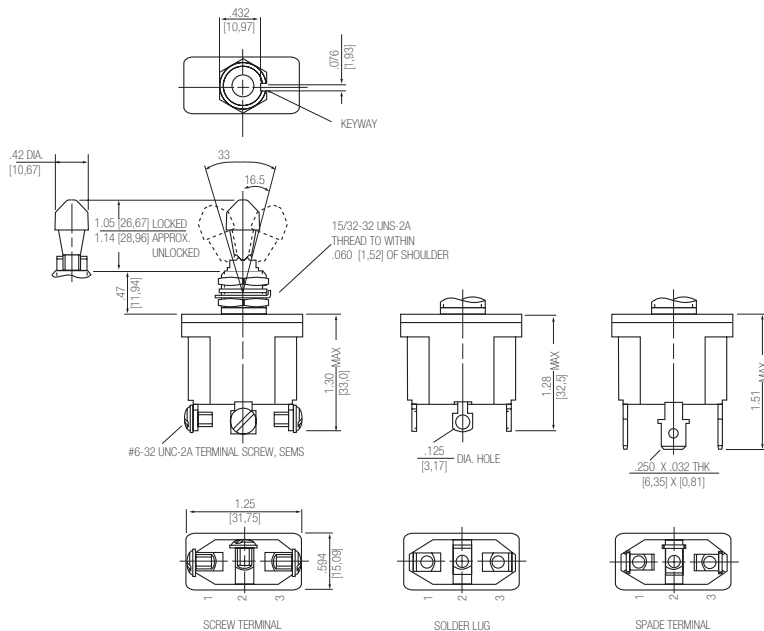


# ECONOSWITCH - ENVIRONMENTALLY SEALED SWITCHES

Series - 8536, 8537, 8538

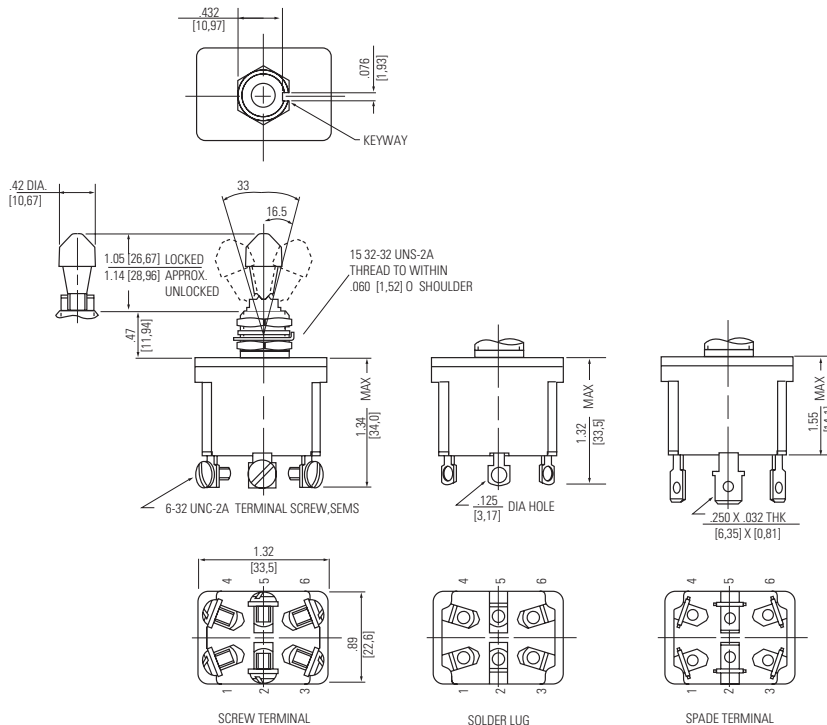
Econoswitch Sealed Leverlock Toggle Switches

## MOUNTING DIMENSIONS - ONE POLE / 8536



### Terminal Identification

## MOUNTING DIMENSIONS - TWO POLE / 8537



### Terminal Identification

<b>STANDARD</b>
0.00 = inches
[0,0] = mm

Mounting dimensions for reference only.

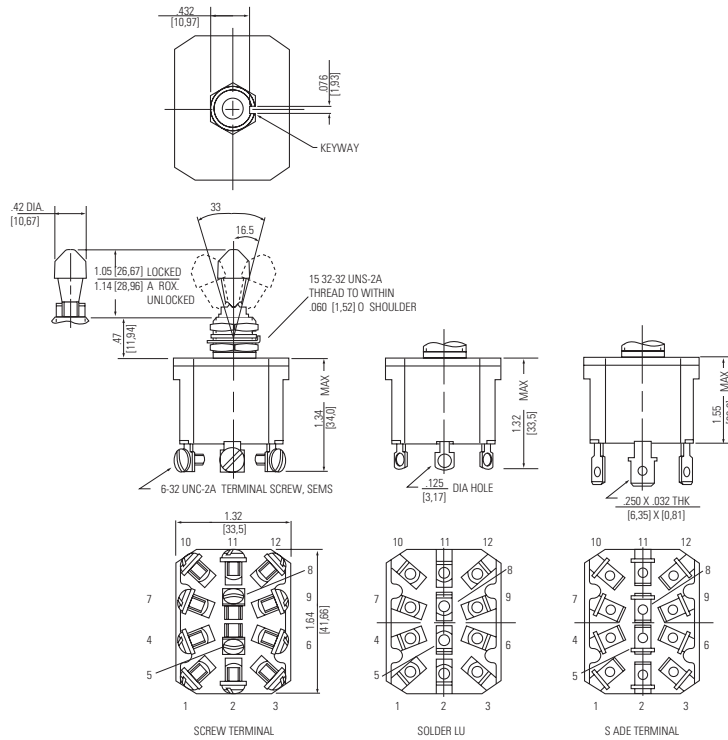
Non-functional terminals not supplied.

# ECONOSWITCH - ENVIRONMENTALLY SEALED SWITCHES

Series - 8536, 8537, 8538

Econoswitch Sealed Leverlock Toggle Switches

## MOUNTING DIMENSIONS - FOUR POLE / 8538

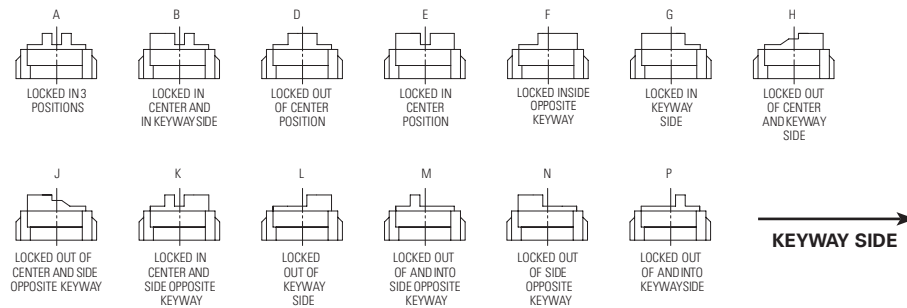


### Terminal Identification

Non-functional terminals not supplied.

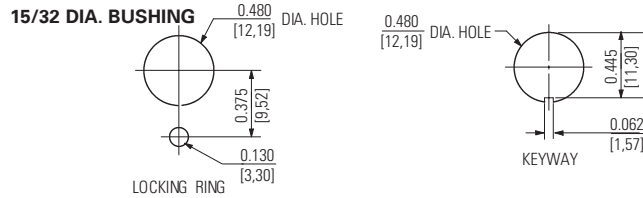
## OPTIONS/ACCESSORIES

- Special mounting hardware
- Mounting hardware furnished assembled
- Terminal screws furnished assembled
- Special circuits
- Panel seals, Part Number 32-341



Figures A thru P do not represent details of construction. They schematically illustrate locking function.

## PANEL CUTOUT DIMENSIONS



### STANDARD

0.00 = inches

[0,0] = mm

Mounting dimensions for reference only.

# ECONOSWITCH - ENVIRONMENTALLY SEALED SWITCHES







Series - 8533, 8534, 8535

Econoswitch Sealed Designerline Toggle Switches

FEATURES		SPECIFICATIONS		CURRENT RATINGS						
<ul style="list-style-type: none"> <li>Environmentally sealed</li> <li>1, 2 and 4 pole circuitry</li> <li>One hole mounting for easy installation</li> <li>Variety of lever styles and colors</li> <li>Color-coded, shaped levers for operator feel and cosmetic appearance</li> <li>2 &amp; 3 position with maintained and momentary action</li> <li>Three types of termination offered as standard</li> <li>Multi-circuits</li> <li>Also available with toggle and lever lock Actuator. For details, see page A11 for toggles and page A14 for lever locks.</li> </ul>	<ul style="list-style-type: none"> <li>Watertight seal per MIL-STD-108E designed to meet IP68</li> <li>UL recognized and CSA certified</li> <li>Bushing: 15/32" - 32 thread</li> <li>Temperature range: -50°F to +150°F (-46°C to + 66°C)</li> <li>Life: 50,000 operations at rated load 100,000 operations mechanical life</li> </ul>	No. of Poles	Catalog Number	Type of Operation	28VDC			115 VAC 60 or 400Hz		
					Lamp Load	Resistive Load	Inductive Load	Lamp Load	Resistive Load	Inductive Load
		1	8533	Maintained	5	20	15	3	15	10
				Momentary	4	15	10	2	11	7
		2	8534	Maintained	7	20	15	4	15	15
				Momentary	5	18	10	2	11	8
		4	8535	Maintained	5	20	12	4	15	15
				Momentary	4	18	10	2	11	8

For the UL/ CSA ratings, see page A70.

## SELECTION TABLE

	CIRCUIT WITH LEVER IN . . .			CATALOG NUMBER						
	Up Position	Center Position	Down Position (Keyway)	Screw Terminals ①	Solder Lug Terminals ①	Spade Terminals ①	Shape Suffix ②	Color Letter	Suffix Number	
										
	<b>ONE POLE</b>									
<b>8533</b> 	ON	OFF	ON	8533K1	8533K91	8533K31				
	ON	NONE	OFF	K9	K99	K39				
	ON	NONE	ON	K4	K94	K34	All	White	21	
	ON	OFF	NONE	K6	K96	K36				
	ON	NONE	ON*	8533K5	8533K95	8533K35	All	Red	22	
	* ON	OFF	ON*	K2	K92	K32				
	NONE	OFF	ON*	K7	K97	K37				
	ON	NONE	OFF*	K10	K910	K310				
	OFF	NONE	ON*	K11	K911	K311	All	Black	27	
	* ON	OFF	ON*	8533K3	8533K93	8533K33				
ON	ON	NONE	K12	K912	K312					
ON	ON	NONE	K13	K913	K313					
	<b>TWO POLE</b>									
<b>8534</b> 	ON	OFF	ON	8534K1	8534K91	8534K31				
	ON	NONE	OFF	K9	K99	K39				
	ON	NONE	ON	K4	K94	K34	All	White	21	
	ON	OFF	NONE	K6	K96	K36				
	ON	NONE	ON*	8534K5	8534K95	8534K35	All	Red	22	
	* ON	OFF	ON*	K2	K92	K32				
	NONE	OFF	ON*	K7	K97	K37				
	ON	NONE	OFF*	K10	K910	K310				
	OFF	NONE	ON*	K11	K911	K311				
	ON	OFF	ON*	8534K3	8534K93	8534K33				
* ON	ON	NONE	K12	K912	K312	All	Black	27		
ON	ON	NONE	K13	K913	K313					
ON	ON	ON	8534K14	8534K914	8534K314					
ON	ON	ON*	K15	K915	K315					
* ON	ON	ON*	K16	K916	K316					
	<b>FOUR POLE</b>									
<b>8535</b> 	ON	OFF	ON	8535K1	8535K91	8535K31				
	ON	NONE	OFF	K9	K99	K39				
	ON	NONE	ON	K4	K94	K34	All	White	21	
	ON	OFF	NONE	K6	K96	K36				
	ON	NONE	ON*	8535K5	8535K95	8535K35	All	Red	22	
	* ON	OFF	ON*	K2	K92	K32				
	NONE	OFF	ON*	K7	K97	K37				
	ON	NONE	OFF*	K10	K910	K310				
	OFF	NONE	ON*	K11	K911	K311				
	ON	OFF	ON*	8535K3	8535K93	8535K33	All	Black	27	
* ON	ON	NONE	K12	K912	K312					
ON	ON	NONE	K13	K913	K313					
ON	ON	ON	8535K15	8535K915	8535K315					
ON	ON	ON*	K16	K916	K316					
* ON	ON	ON*	K17	K917	K317					

\* Momentary contact.

① A complete catalog number consists of a basic switch number followed by a lever shape suffix letter and a two-digit lever color suffix number. Example: 8533K91E27.

See page A71 for circuit diagrams.

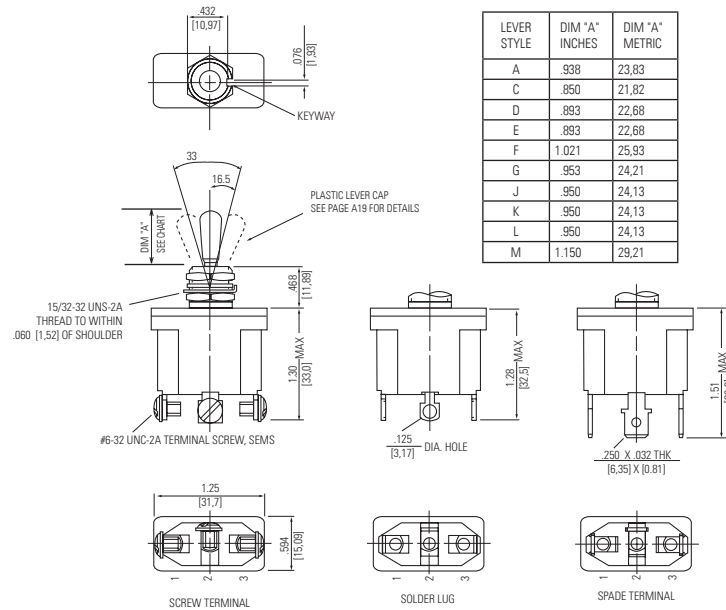
② Select lever shape suffix letter from page A19.

# ECONOSWITCH - ENVIRONMENTALLY SEALED SWITCHES

Series - 8533, 8534, 8535

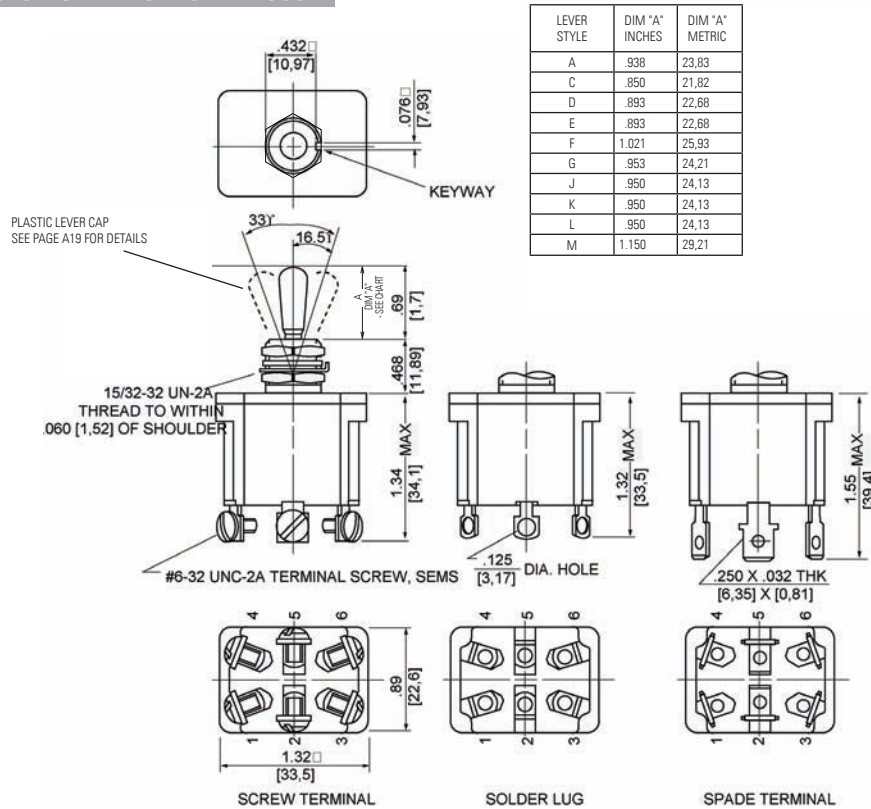
Econoswitch Sealed Designerline Toggle Switches

## MOUNTING DIMENSIONS - ONE POLE / 8533



### Terminal Identification

## MOUNTING DIMENSIONS - TWO POLE / 8534



### Terminal Identification

**STANDARD**  
0.00 = inches  
[0,0] = mm

Mounting dimensions for reference only.

Non-functional terminals not supplied.



# MILITARY - ENVIRONMENTALLY SEALED SWITCHES

Series - 8500, 8501, 8502

MIL-DTL-3950 Toggle Switches

FEATURES		SPECIFICATIONS			CURRENT RATINGS					
<ul style="list-style-type: none"> <li>Environmentally sealed</li> <li>1, 2 and 4 pole circuitry</li> <li>2 &amp; 3 position with maintained and momentary action</li> <li>Molded-in terminal inserts and terminal numbers</li> </ul>	<ul style="list-style-type: none"> <li>Environmentally sealed per MIL-DTL-3950</li> <li>MS approved and QPL'd per MIL-DTL-3950</li> <li>Thermoset molding materials meet flame retardant requirements</li> <li>Bushing: 15/32" - 32 thread</li> <li>Temperature Range: -85°F to +160°F (-65°C to +71°C)</li> <li>Life: 20,000 operations at rated load 40,000 operations mechanical life</li> </ul>	No. of Poles	Catalog Number	Type of Operation	28VDC			115VAC 60 or 400Hz		
					Lamp Load	Resistive Load	Inductive Load	Lamp Load	Resistive Load	Inductive Load
		1	8500	Maintained	5	20	15	3	15	10
				Momentary	4	15	10	2	15	7
		2	8501	Maintained	7	20	15	4	15	15
				Momentary	5	18	10	2	11	8
		4	8502	Maintained	5	20	12	4	15	15
				Momentary	4	18	10	2	11	8

## STANDARD LEVER SELECTION TABLE

Minimum Rating: "Intermediate Current" per MIL-DTL-3950.



8500



8501



8502

CIRCUIT WITH LEVER IN . . .			ONE POLE		TWO POLE		FOUR POLE	
Up Position	Center Position	Down Position (Keyway)	MS Part Number	Catalog Number	MS Part Number	Catalog Number	MS Part Number	Catalog Number
ON	OFF	ON	MS24523-21	8500K1	MS24524-21	8501K1	MS24525-21	8502K1
ON	NONE	OFF	-22	K9	-22	K9	-22	K9
ON	NONE	ON	-23	K4	-23	K4	-23	K4
ON	OFF	NONE	-24	K6	-24	K6	-24	K6
ON	NONE	ON*	MS24523-26	8500K5	MS24524-26	8501K5	MS24525-26	8502K5
* ON	OFF	ON*	-27	K2	-27	K2	-27	K2
NONE	OFF	ON*	-28	K7	-28	K7	-28	K7
ON	NONE	OFF*	-29	K10	-29	K10	-29	K10
OFF	NONE	ON*	-30	K11	-30	K11	-30	K11
ON	OFF	ON*	MS24523-31	8500K3	MS24524-31	8501K3	MS24525-31	8502K3
* ON	ON	NONE	-32	K12	-32	K12	-32	K12
ON	ON	NONE	-33	K13	-33	K13	-33	K13
ON	ON	ON	—	—	MS27407-1	8501K14	MS27406-1	8502K15
ON	ON	ON*	—	—	-2	K15	-2	K16
* ON	ON	ON*	—	—	-3	K16	-3	K17
ON	ON	ON	—	—	-4	K17	—	—
ON	ON	ON*	—	—	-5	K18	—	—
* ON	ON	ON*	—	—	-6	K19	—	—

\* Momentary contact.

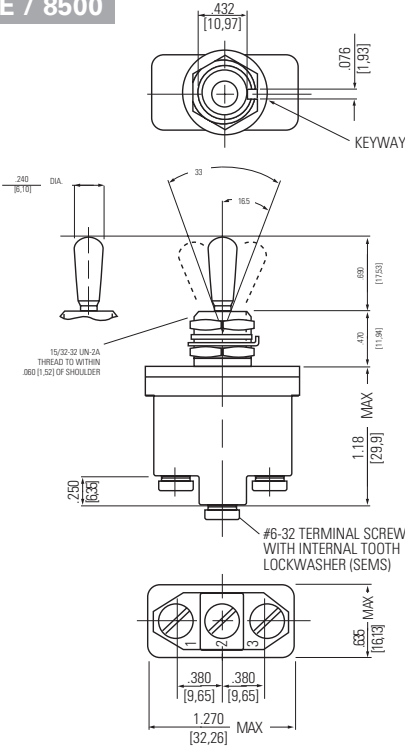
See page A71 for circuit diagrams.

# MILITARY - ENVIRONMENTALLY SEALED SWITCHES

## MIL-DTL-3950 Toggle Switches

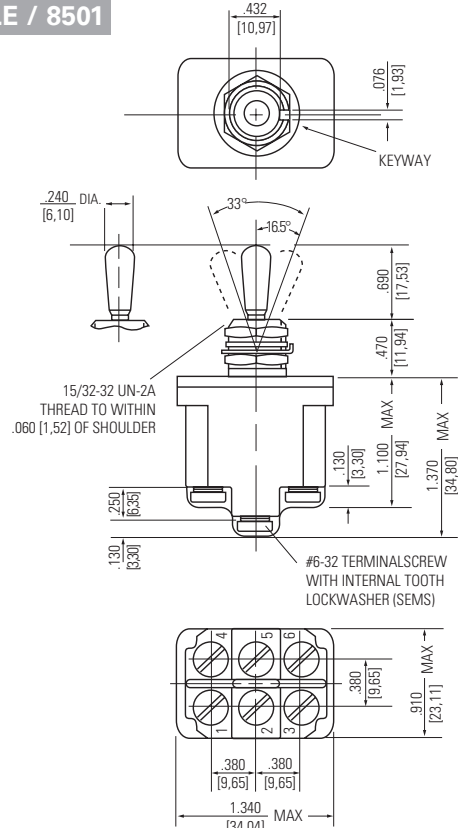
Series - 8500, 8501, 8502

### MOUNTING DIMENSIONS - ONE POLE / 8500



### Terminal Identification

### MOUNTING DIMENSIONS - TWO POLE / 8501



### Terminal Identification

<b>STANDARD</b>
0.00 = inches
[0,0] = mm

Mounting dimensions for reference only.

Non-functional terminals not supplied.





# MILITARY - ENVIRONMENTALLY SEALED SWITCHES MIL-DTL-3950 Lever Lock Switches

Series - 8503, 8504, 8505

FEATURES		SPECIFICATIONS			CURRENT RATINGS					
<ul style="list-style-type: none"> <li>Environmentally sealed</li> <li>1, 2 and 4 pole circuitry</li> <li>2 &amp; 3 position with maintained and momentary action</li> <li>Locking actuator for safety</li> <li>Molded-in terminal inserts and terminal numbers</li> </ul>	<ul style="list-style-type: none"> <li>Environmentally sealed per MIL-DTL-3950</li> <li>MS approved and QPL'd per MIL-DTL-3950</li> <li>Thermoset molding materials meet flame retardant requirements</li> <li>Bushing: 15/32" - 32 thread</li> <li>Temperature Range: -85°F to +160°F (-65°C to +71°C)</li> <li>Life: 20,000 operations at rated load 40,000 operations mechanical life</li> </ul>	No. of Poles	Catalog Number	Type of Operation	28VDC			115VAC 60 or 400Hz		
					Lamp Load	Resistive Load	Inductive Load	Lamp Load	Resistive Load	Inductive Load
		1	8503	Maintained	5	20	15	3	15	10
				Momentary	4	15	10	2	15	7
		2	8504	Maintained	7	20	15	4	15	15
				Momentary	5	18	10	2	11	8
		4	8505	Maintained	5	20	12	4	15	15
				Momentary	4	18	10	2	11	8

Minimum Rating: "Intermediate Current" per MIL-DTL-3950.

## LEVER LOCK SELECTION TABLE



8503



8504



8505

CIRCUIT WITH LEVER IN . . .				ONE POLE		TWO POLE		FOUR POLE	
Up Position	Center Position	Down Position (Keyway)	Lever Lock Bushing Style	Flush Screw Terminals		Flush Screw Terminals		Flush Screw Terminals	
				MS Part Number	Catalog Number	MS Part Number	Catalog Number	MS Part Number	Catalog Number
ON →	← OFF →	← ON	A	MS24658-21A	8503K1	MS24659-21A	8504K1	MS24660-21A	8505K1
ON	← OFF →	← ON	B	-21B	K27	-21B	K27	-21B	K27
ON →	← OFF →	← ON	D	-21D	K5	-21D	K5	-21D	K5
ON	← OFF →	← ON	E	-21E	K2	-21E	K2	-21E	K2
ON →	← OFF →	← ON	F	-21F	K28	-21F	K28	-21F	K28
ON	← OFF →	← ON	G	MS24658-21G	8503K3	MS24659-21G	8504K3	MS24660-21G	8505K3
ON →	← OFF →	← ON	H	-21H	K29	-21H	K29	-21H	K29
ON	← OFF →	← ON	J	-21J	K30	-21J	K30	-21J	K30
ON →	← OFF →	← ON	K	-21K	K31	-21K	K31	-21K	K31
ON	← OFF →	← ON	L	-21L	K32	-21L	K32	-21L	K32
ON →	← OFF →	← ON	M	MS24658-21M	8503K33	MS24659-21M	8504K33	MS24660-21M	8505K33
ON	← OFF →	← ON	N	-21N	K4	-21N	K4	-21N	K4
ON	← OFF →	← ON	P	-21P	K34	-21P	K34	-21P	K34
ON →	← NONE	← OFF	D	-22D	K10	-22D	K10	-22D	K10
ON →	← NONE	← OFF	F	-22F	K35	-22F	K35	-22F	K35
ON	← NONE	← OFF	G	MS24658-22G	8503K9	MS24659-22G	8504K9	MS24660-22G	8505K9
ON →	← NONE	← ON	D	-23D	K6	-23D	K6	-23D	K6
ON →	← NONE	← ON	F	-23F	K36	-23F	K36	-23F	K36
ON	← NONE	← ON	G	-23G	K7	-23G	K7	-23G	K7
ON	← OFF	← NONE	E	-24E	K16	-24E	K16	-24E	K16
ON →	← OFF	← NONE	F	MS24658-24F	8503K37	MS24659-24F	8504K37	MS24660-24F	8505K37
ON →	← OFF	← NONE	K	-24K	K38	-24K	K38	-24K	K38
ON →	← OFF	← NONE	M	-24M	K11	-24M	K11	-24M	K11
ON →	← NONE	← ON *	F	-26F	K20	-26F	K20	-26F	K20
* ON	← OFF →	← ON *	E	MS24658-27E	8503K12	MS24659-27E	8504K12	MS24660-27E	8505K12
* ON	← OFF →	← ON *	L	-27L	K39	-27L	K39	-27L	K39
* ON	← OFF →	← ON *	N	-27N	K14	-27N	K14	-27N	K14
NONE	← OFF →	← ON *	E	-28E	K15	-28E	K15	-28E	K15
ON →	← NONE	← OFF *	F	-29F	K21	-29F	K21	-29F	K21
OFF →	← NONE	← ON *	F	MS24658-30F	8503K19	MS24659-30F	8504K19	MS24660-30F	8505K19
ON	← OFF →	← ON *	E	-31E	K18	-31E	K18	-31E	K18
ON →	← OFF →	← ON *	F	-31F	K40	-31F	K40	-31F	K40
ON →	← OFF →	← ON *	K	-31K	K41	-31K	K41	-31K	K41
ON	← OFF →	← ON *	L	-31L	K13	-31L	K13	-31L	K13

\* Momentary contact.

→ Indicates direction against which lever is locked.

See page A71 for circuit diagrams.

Ⓢ Reference bushing styles on page A26.

# MILITARY - ENVIRONMENTALLY SEALED SWITCHES

Series - 8503, 8504, 8505

MIL-DTL-3950 Lever Lock Switches

## LEVER LOCK SELECTION TABLE, CONT'D



8503



8504



8505

CIRCUIT WITH LEVER IN . . .			Lever ① Lock Bushing Style	ONE POLE		TWO POLE		FOUR POLE	
Up Position	Center Position	Down Position (Keyway)		Flush Screw Terminals MS Part Number	Flush Screw Terminals Catalog Number	Flush Screw Terminals MS Part Number	Flush Screw Terminals Catalog Number	Flush Screw Terminals MS Part Number	Flush Screw Terminals Catalog Number
ON→	← OFF	ON *	M	MS24658-31M	8503K17	MS24659-31M	8504K17	MS24660-31M	8505K17
ON	← OFF	ON *	N	-31N	K8	-31N	K8	-31N	K8
* ON	← ON	NONE	E	-32E	K23	-32E	K23	-32E	K23
ON	← ON	NONE	E	-33E	K24	-33E	K24	-33E	K24
ON→	ON	NONE	F	-33F	K25	-33F	K25	-33F	K25
ON→	← ON	NONE	K	MS24658-33K	8503K26	MS24659-33K	8504K26	MS24660-33K	8505K26
ON→	← ON	NONE	M	-33M	K42	-33M	K42	-33M	K42
ON→	← ON →	← ON	A	—	—	MS27408-1A	K43	MS27409-1A	K43
ON	← ON →	← ON	B	—	—	-1B	K44	-1B	K44
ON→	ON	← ON	D	—	—	-1D	K45	-1D	K45
ON	← ON →	ON	E	—	—	MS27408-1E	8504K46	MS27409-1E	8505K46
ON→	ON	ON	F	—	—	-1F	K47	-1F	K47
ON	ON	← ON	G	—	—	-1G	K48	-1G	K48
ON→	ON→	ON	H	—	—	-1H	K49	-1H	K49
ON	← ON	← ON	J	—	—	-1J	K50	-1J	K50
ON→	← ON →	ON	K	—	—	MS27408-1K	8504K51	MS27409-1K	8505K51
ON	ON→	ON	L	—	—	-1L	K52	-1L	K52
ON→	← ON	ON	M	—	—	-1M	K53	-1M	K53
ON	← ON	ON	N	—	—	-1N	K54	-1N	K54
ON	ON→	← ON	P	—	—	-1P	K55	-1P	K55
ON	← ON →	ON*	E	—	—	MS27408-2E	8504K56	MS27409-2E	8505K56
ON→	ON	ON*	F	—	—	-2F	K57	-2F	K57
ON→	← ON →	ON*	K	—	—	-2K	K58	-2K	K58
ON	ON→	ON*	L	—	—	-2L	K59	-2L	K59
ON→	← ON	ON*	M	—	—	-2M	K60	-2M	K60
ON	← ON	ON*	N	—	—	MS27408-2N	8504K61	MS27409-2N	8505K61
* ON	← ON →	ON*	E	—	—	-3E	K62	-3E	K62
* ON	ON→	ON*	L	—	—	-3L	K63	-3L	K63
* ON	← ON	ON*	N	—	—	-3N	K64	-3N	K64
ON→	← ON →	← ON	A	—	—	-4A	K65	—	—
ON	← ON →	← ON	B	—	—	MS27408-4B	8504K66	—	—
ON→	ON	← ON	D	—	—	-4D	K67	—	—
ON	← ON →	ON	E	—	—	-4E	K68	—	—
ON→	ON	ON	F	—	—	-4F	K69	—	—
ON	ON	← ON	G	—	—	-4G	K70	—	—
ON→	ON →	ON	H	—	—	MS27408-4H	8504K71	—	—
ON	← ON	← ON	J	—	—	-4J	K72	—	—
ON→	← ON →	ON	K	—	—	-4K	K73	—	—
ON	ON→	ON	L	—	—	-4L	K74	—	—
ON→	← ON	ON	M	—	—	-4M	K75	—	—
ON	← ON	ON	N	—	—	MS27408-4N	8504K76	—	—
ON	ON→	← ON	P	—	—	-4P	K77	—	—
ON	← ON →	ON*	E	—	—	-5E	K78	—	—
ON→	ON	ON*	F	—	—	-5F	K79	—	—
ON→	← ON →	ON*	K	—	—	-5K	K80	—	—
ON	ON→	ON*	L	—	—	MS27408-5L	8504K81	—	—
ON→	← ON	ON*	M	—	—	-5M	K82	—	—
ON	← ON	ON*	N	—	—	-5N	K83	—	—
* ON	← ON →	ON*	E	—	—	-6E	K84	—	—
* ON	ON→	ON*	L	—	—	-6L	K85	—	—
* ON	← ON	ON*	N	—	—	-6N	K86	—	—
ON	← ON-OFF→	← ON	B	—	—	-7B	K87	—	—

\* Momentary contact.

→ Indicates direction against which lever is locked.

See page A71 for circuit diagrams.

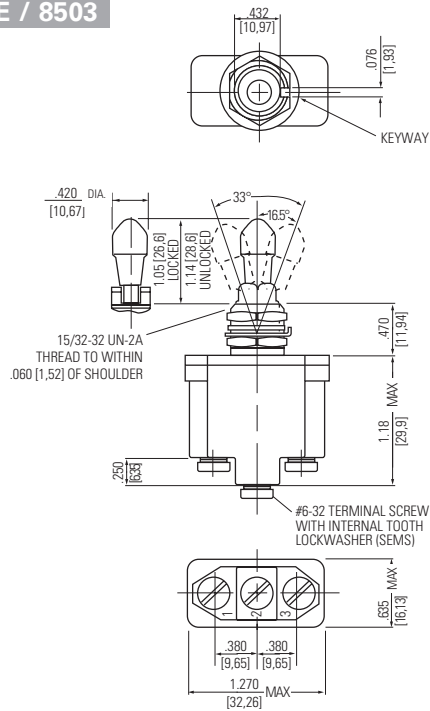
① Reference bushing styles on page A26.

# MILITARY - ENVIRONMENTALLY SEALED SWITCHES

## MIL-DTL-3950 Lever Lock Switches

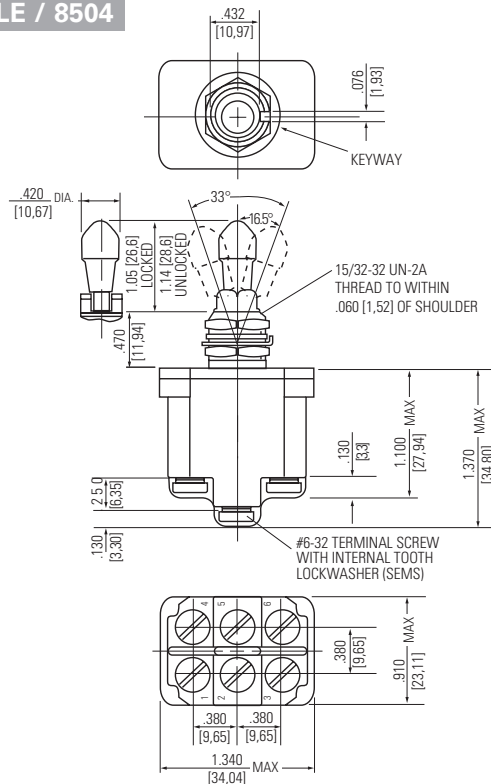
Series - 8503, 8504, 8505

### MOUNTING DIMENSIONS - ONE POLE / 8503



**Terminal Identification**

### MOUNTING DIMENSIONS - TWO POLE / 8504



**Terminal Identification**

**STANDARD**

0.00 = inches

[0,0] = mm

Mounting dimensions for reference only.

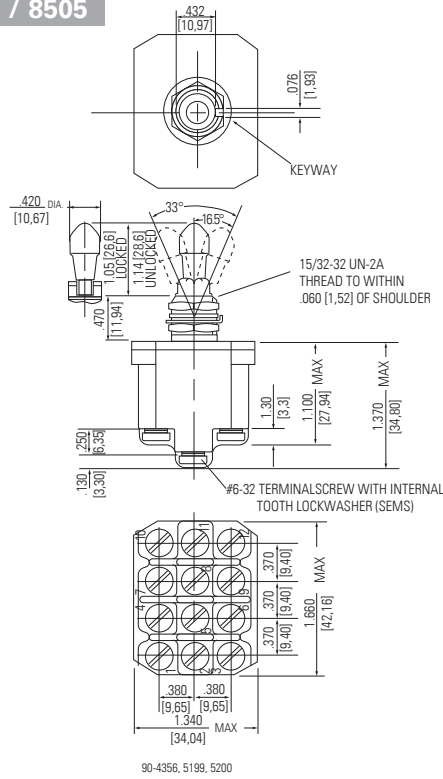
Non-functional terminals not supplied.

# MILITARY - ENVIRONMENTALLY SEALED SWITCHES

## Series - 8503, 8504, 8505

# MIL-DTL-3950 Lever Lock Switches

### MOUNTING DIMENSIONS - FOUR POLE / 8505



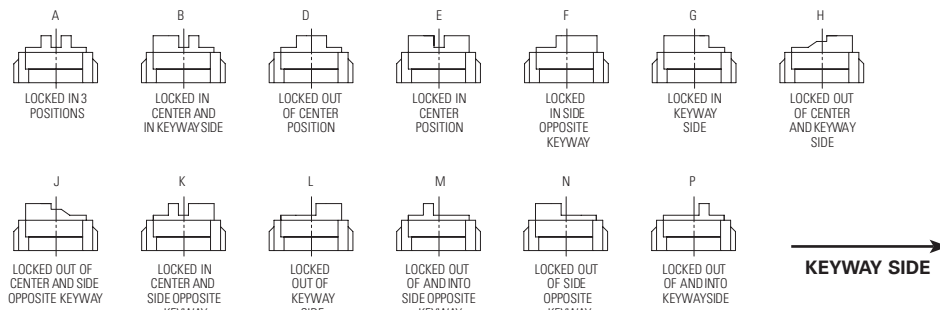
### Terminal Identification

Non-functional terminals not supplied.

### OPTIONS/ACCESSORIES

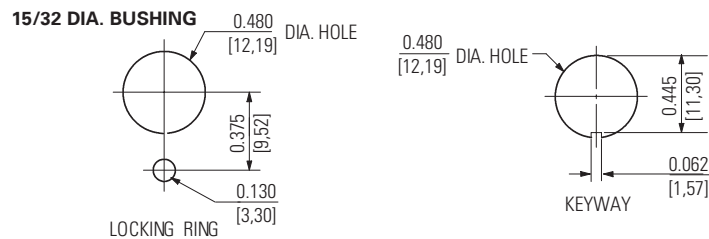
- Special mounting hardware
- Mounting hardware furnished assembled
- Terminal screws furnished assembled
- Substitute SEMS screws
- Special circuits
- Panel seal, part number 32-341 (See Accessories and Custom Components section)
- Special shaped caps available
- Custom wiring harnesses

### LEVER LOCK - BUSHING STYLES



Figures A thru P do not represent details of construction. They schematically illustrate locking function.

### PANEL CUTOUT DIMENSIONS



**STANDARD**  
0.00 = inches  
[0,0] = mm

Mounting dimensions for reference only.

# MILITARY - ENVIRONMENTALLY SEALED SWITCHES

## MIL-DTL-3950 IWTS Switches

Series - 8570, 8571, 8572

FEATURES		SPECIFICATIONS		CURRENT RATINGS					
<ul style="list-style-type: none"> <li>Environmentally sealed</li> <li>1, 2 and 4 pole circuitry</li> <li>2 &amp; 3 position with maintained and momentary action</li> <li>Integrated Wire Termination System (IWTS) for ease of wiring</li> <li>Terminal numbers molded into silicone base seal</li> </ul>		<ul style="list-style-type: none"> <li>Environmentally sealed per MIL-DTL-3950</li> <li>MS approved and QPL'd per MIL-DTL-3950</li> <li>Thermoset molding materials meet flame retardant requirements</li> <li>Bushing: 15/32" - 32 thread</li> <li>Temperature Range: -85°F to +160°F (-65°C to +71°C)</li> <li>Accepts MIL-C-39029/1-101 pin</li> <li>Life: 20,000 operations at rated load 40,000 operations mechanical life</li> </ul>		<b>CURRENT RATINGS FOR -20</b>					
				28VDC			115VAC 60 or 400Hz		
				Lamp Load	Resistive Load	Inductive Load	Lamp Load	Resistive Load	Inductive Load
1	8570	Maintained		5	75	75	3	75	75
		Momentary		4	75	75	2	75	7
2	8571	Maintained		75	75	75	4	75	75
		Momentary		5	75	75	2	75	75
4	8572	Maintained		5	75	75	4	75	75
		Momentary		4	75	75	2	75	75

CURRENT RATINGS								
CURRENT RATINGS FOR -16								
No. of Poles	Catalog Number	Type of Operation	28VDC			115VAC 60 or 400Hz		
			Lamp Load	Resistive Load	Inductive Load	Lamp Load	Resistive Load	Inductive Load
1	8570	Maintained	5	20	15	3	15	10
		Momentary	4	15	10	2	15	7
2	8571	Maintained	7	20	15	4	15	15
		Momentary	5	18	10	2	11	8
4	8572	Maintained	5	20	12	4	15	15
		Momentary	4	18	10	2	11	8

**STANDARD LEVER SELECTION TABLE** — Terminals Accept Wire Contact Within Dimensional Limits of M39029/1-102 for -16 wire size.  
— Terminals Accept Wire Contact Within Dimensional Limits of M39029/1-101 for -20 wire size.



8570



8571



8572

CIRCUIT WITH LEVER IN . . .			ONE POLE		TWO POLE		FOUR POLE	
Up Position	Center Position	Down Position (Keyway)	MS Part Number	Catalog Number	MS Part Number	Catalog Number	MS Part Number	Catalog Number
ON	OFF	ON	MS27722-21	8570K1-16	MS27723-21	8571K1-16	MS27724-21	8572K1-16
ON	NONE	OFF	-22	K9-16	-22	K9-16	-22	K9-16
ON	NONE	ON	-23	K4-16	-23	K4-16	-23	K4-16
ON	OFF	NONE	-24	K6-16	-24	K6-16	-24	K6-16
ON	NONE	ON *	MS27722-26	8570K5-16	MS27723-26	8571K5-16	MS27724-26	8572K5-16
* ON	OFF	ON *	-27	K2-16	-27	K2-16	-27	K2-16
NONE	OFF	ON *	-28	K7-16	-28	K7-16	-28	K7-16
ON	NONE	OFF *	-29	K10-16	-29	K10-16	-29	K10-16
OFF	NONE	ON *	-30	K11-16	-30	K11-16	-30	K11-16
ON	OFF	ON *	MS27722-31	8570K3-16	MS27723-31	8571K3-16	MS27724-31	8572K3-16
* ON	ON	NONE	-32	K12-16	-32	K12-16	-32	K12-16
ON	ON	NONE	-33	K13-16	-33	K13-16	-33	K13-16
ON	ON	ON	—	—	MS27723-1	8571K17-16	MS27724-1	8572K15-16
ON	ON	ON *	—	—	-2	K18-16	-2	K16-16
* ON	ON	ON *	—	—	-3	K19-16	-3	K17-16
ON	OFF	ON	MS27784-21	8570K1-20	MS27785-21	8571K1-20	MS27786-21	8572K1-20
ON	NONE	OFF	-22	K9-20	-22	K9-20	-22	K9-20
ON	NONE	ON	-23	K4-20	-23	K4-20	-23	K4-20
ON	OFF	NONE	-24	K6-20	-24	K6-20	-24	K6-20
ON	NONE	ON *	MS27784-26	8570K5-20	MS27785-26	8571K5-20	MS27786-26	8572K5-20
* ON	OFF	ON *	-27	K2-20	-27	K2-20	-27	K2-20
NONE	OFF	ON *	-28	K7-20	-28	K7-20	-28	K7-20
ON	NONE	OFF *	-29	K10-20	-29	K10-20	-29	K10-20
OFF	NONE	ON *	-30	K11-20	-30	K11-20	-30	K11-20
ON	OFF	ON *	MS27784-31	8570K3-20	MS27785-31	8571K3-20	MS27786-31	8572K3-20
* ON	ON	NONE	-32	K12-20	-32	K12-20	-32	K12-20
ON	ON	NONE	-33	K13-20	-33	K13-20	-33	K13-20
ON	ON	ON	—	—	MS27785-1	8571K17-20	MS27786-1	8572K15-20
ON	ON	ON *	—	—	-2	K18-20	-2	K16-20
* ON	ON	ON *	—	—	-3	K19-20	-3	K17-20

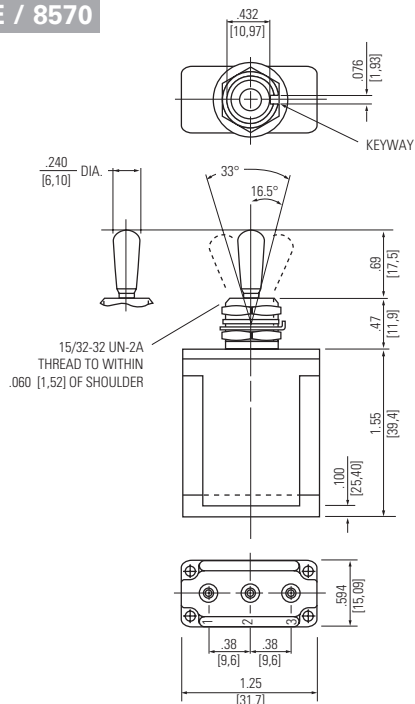
\* Momentary contact.  
See page A71 for circuit diagrams

# MILITARY - ENVIRONMENTALLY SEALED SWITCHES

Series - 8570, 8571, 8572

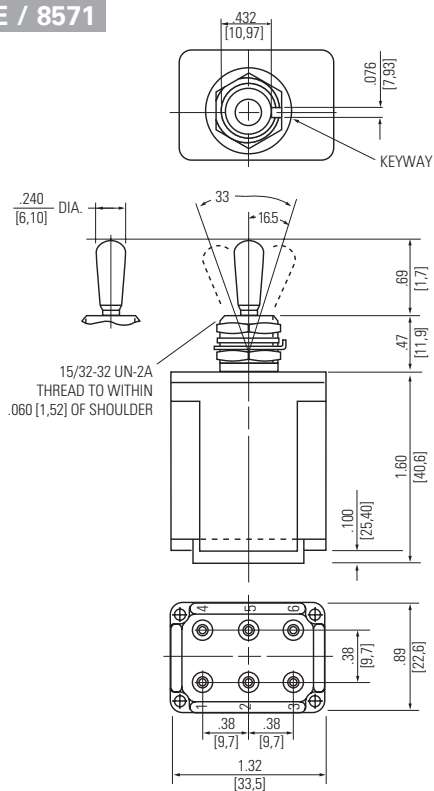
MIL-DTL-3950 IWTS Toggles

## MOUNTING DIMENSIONS - ONE POLE / 8570



### Terminal Identification

## MOUNTING DIMENSIONS - TWO POLE / 8571



### Terminal Identification

**STANDARD**  
0.00 = inches  
[0,0] = mm

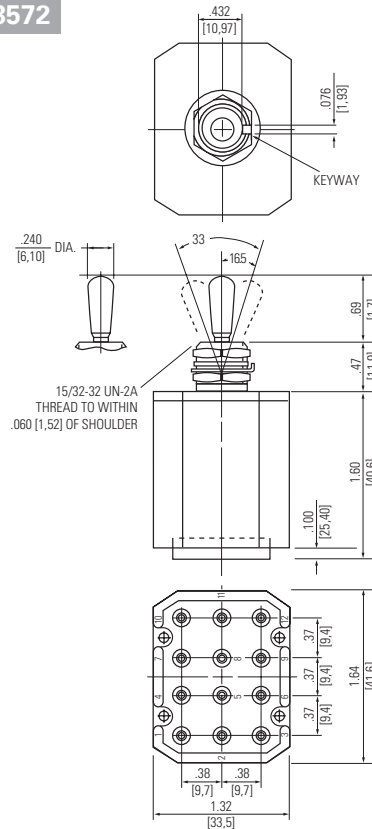
Mounting dimensions for reference only.

Non-functional terminals not supplied.

Series - 8570, 8571, 8572

# MILITARY - ENVIRONMENTALLY SEALED SWITCHES MIL-DTL-3950 IWTS Toggles

## MOUNTING DIMENSIONS - FOUR POLE/ 8572



### Terminal Identification

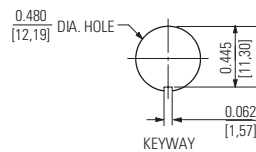
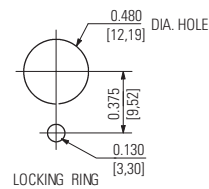
Non-functional terminals not supplied.

## OPTIONS/ACCESSORIES

- Special mounting hardware
- Mounting hardware furnished assembled
- Special circuits
- Panel seal, part number 32-341 (See Accessories and Custom Components section)
- Special "3 Cateye" luminous lever attachment
- Lever extensions and attachable tips (See Accessories and Custom Components section)
- Custom wiring harnesses

## PANEL CUTOUT DIMENSIONS

### 15/32 DIA. BUSHING



**STANDARD**  
0.00 = inches  
[0,0] = mm

Mounting dimensions for reference only.

# MILITARY - ENVIRONMENTALLY SEALED SWITCHES

## Series - 8573, 8574, 8575

## MIL-DTL-3950 IWTS Lever Locks

### FEATURES SPECIFICATIONS CURRENT RATINGS FOR -20

- Environmentally sealed
- 1, 2 and 4 pole circuitry
- 2 & 3 position with maintained and momentary action
- Integrated Wire Termination System (IWTS) for ease of wiring
- Terminal numbers molded into silicone base seal

- Environmentally sealed per MIL-DTL-3950
- MS approved and QPL'd per MIL-DTL-3950
- Thermoset molding materials meet flame retardant requirements
- Bushing: 15/32" - 32 thread
- Temperature Range: -85°F to +160°F (65°C to +71°C)
- Accepts MIL-C-39029/1-101 pin
- Life: 20,000 operations at rated load  
40,000 operations mechanical life

	Poles	Type of Operation	28VDC			115 VAC 60 or 400Hz		
			Lamp Load	Resistive Load	Inductive Load	Lamp Load	Resistive Load	Inductive Load
1	8573	Maintained	5	20	15	3	15	10
		Momentary	4	15	10	2	15	7
2	8574	Maintained	7	20	15	4	15	15
		Momentary	5	18	10	2	11	8
4	8575	Maintained	5	20	12	4	15	15
		Momentary	4	18	10	2	11	8

### CURRENT RATINGS FOR -16

No. of Poles	Catalog Number	Type of Operation	28VDC			115 VAC 60 or 400Hz		
			Lamp Load	Resistive Load	Inductive Load	Lamp Load	Resistive Load	Inductive Load
1	8573	Maintained	5	20	15	3	15	10
		Momentary	4	15	10	2	15	7
2	8574	Maintained	7	20	15	4	15	15
		Momentary	5	18	10	2	11	8
4	8575	Maintained	5	20	12	4	15	15
		Momentary	4	18	10	2	11	8

Minimum Rating: "Intermediate Current" per MIL-DTL-3950.

### LEVER LOCK SELECTION TABLE — Terminals Accept Wire Contact Within Dimensional Limits of M39029/1-102 for -16 wire size. — Terminals Accept Wire Contact Within Dimensional Limits of M39029/1-101 for -20 wire size.



8573



8574



8575

### CIRCUIT WITH LEVER IN . . . ONE POLE TWO POLE FOUR POLE

Up Position	Center Position	Down Position (Keyway)	Lever Lock Bushing Style	MS Part Number	Catalog Number	MS Part Number	Catalog Number	MS Part Number	Catalog Number
ON→	OFF→	← ON	A	MS27781-21A	8573K1-16	MS27782-21A	8574K1-16	MS27783-21A	8575K1-16
ON→	←OFF→	← ON	B	-21B	K27-16	-21B	K27-16	-21B	K27-16
ON→	OFF	← ON	D	-21D	K5-16	-21D	K5-16	-21D	K5-16
ON→	←OFF→	ON	E	-21E	K2-16	-21E	K2-16	-21E	K2-16
ON→	OFF	ON	F	-21F	K28-16	-21F	K28-16	-21F	K28-16
ON→	OFF	← ON	G	MS27781-21G	8573K3-16	MS27782-21G	8574K3-16	MS27783-21G	8575K3-16
ON→	OFF→	ON	H	-21H	K29-16	-21H	K29-16	-21H	K29-16
ON→	←OFF	← ON	J	-21J	K30-16	-21J	K30-16	-21J	K30-16
ON→	←OFF→	ON	K	-21K	K31-16	-21K	K31-16	-21K	K31-16
ON→	OFF→	ON	L	-21L	K32-16	-21L	K32-16	-21L	K32-16
ON→	←OFF	ON	M	MS27781-21M	8573K33-16	MS27782-21M	8574K33-16	MS27783-21M	8575K33-16
ON→	←OFF	ON	N	-21N	K4-16	-21N	K4-16	-21N	K4-16
ON→	OFF→	← ON	P	-21P	K34-16	-21P	K34-16	-21P	K34-16
ON→	NONE	← OFF	D	-22D	K10-16	-22D	K10-16	-22D	K10-16
ON→	NONE	OFF	F	-22F	K35-16	-22F	K35-16	-22F	K35-16
ON→	NONE	← OFF	G	MS27781-22G	8573K9-16	MS27782-22G	8574K9-16	MS27783-22G	8575K9-16
ON→	NONE	← ON	D	-23D	K6-16	-23D	K6-16	-23D	K6-16
ON→	NONE	ON	F	-23F	K36-16	-23F	K36-16	-23F	K36-16
ON→	NONE	← ON	G	-23G	K7-16	-23G	K7-16	-23G	K7-16
ON→	← OFF	NONE	E	-24E	K16-16	-24E	K16-16	-24E	K16-16
ON→	OFF	NONE	F	MS27781-24F	8573K37-16	MS27782-24F	8574K37-16	MS27783-24F	8575K37-16
ON→	← OFF	NONE	K	-24K	K38-16	-24K	K38-16	-24K	K38-16
ON→	← OFF	NONE	M	-24M	K11-16	-24M	K11-16	-24M	K11-16
ON→	NONE	ON*	F	-26F	K20-16	-26F	K20-16	-26F	K20-16
* ON	← OFF→	ON*	E	MS27781-27E	8573K12-16	MS27782-27E	8574K12-16	MS27783-27E	8575K12-16
* ON	OFF→	ON*	L	-27L	K39-16	-27L	K39-16	-27L	K39-16
* ON	← OFF	ON*	N	-27N	K14-16	-27N	K14-16	-27N	K14-16
NONE	OFF→	ON*	E	-28E	K15-16	-28E	K15-16	-28E	K15-16
ON→	NONE	OFF*	F	-29F	K21-16	-29F	K21-16	-29F	K21-16
OFF→	NONE	ON*	F	MS27781-30F	8573K19-16	MS27782-30F	8574K19-16	MS27783-30F	8575K19-16
ON	← OFF→	ON*	E	-31E	K18-16	-31E	K18-16	-31E	K18-16
ON→	OFF	ON*	F	-31F	K40-16	-31F	K40-16	-31F	K40-16
ON→	← OFF→	ON*	K	-31K	K41-16	-31K	K41-16	-31K	K41-16
ON	OFF→	ON*	L	-31L	K13-16	-31L	K13-16	-31L	K13-16

\* Momentary contact.

→ Indicates direction against which lever is locked. See page A71 for circuit diagrams. ① Reference bushing styles on page A34.



# MILITARY - ENVIRONMENTALLY SEALED SWITCHES

Series - 8573, 8574, 8575

MIL-DTL-3950 IWTS Lever Locks

## LEVER LOCK SELECTION TABLE, CONT'D






8573



8574



8575

CIRCUIT WITH LEVER IN . . .				ONE POLE		TWO POLE		FOUR POLE	
Up Position 	Center Position 	Down Position (Keyway) 	Lever Lock Bushing Style	MS Part Number	Catalog Number	MS Part Number	Catalog Number	MS Part Number	Catalog Number
ON→	← OFF	ON*	M	MS27781-31M	8573K17-16	MS27782-31M	8574K17-16	MS27783-31M	8575K17-16
ON	← OFF	ON*	N	-31N	K8-16	-31N	K8-16	-31N	K8-16
*ON	← ON	NONE	E	-32E	K23-16	-32E	K23-16	-32E	K23-16
ON	← ON	NONE	E	-33E	K24-16	-33E	K24-16	-33E	K24-16
ON→	ON	NONE	F	-33F	K25-16	-33F	K25-16	-33F	K25-16
ON→	← ON	NONE	K	MS27781-33K	8573K26-16	MS27782-33K	8574K26-16	MS27783-33K	8575K26-16
ON→	← ON	NONE	M	-33M	K42-16	-33M	K42-16	-33M	K42-16
ON→	← ON→	ON	A	—	—	-1A	K65-16	-1A	K43-16
ON	← ON→	← ON	B	—	—	-1B	K66-16	-1B	K44-16
ON→	ON	← ON	D	—	—	-1D	K67-16	-1D	K45-16
ON	← ON→	ON	E	—	—	MS27782-1E	8574K68-16	MS27783-1E	8575K46-16
ON→	ON	ON	F	—	—	-1F	K69-16	-1F	K47-16
ON	ON	← ON	G	—	—	-1G	K70-16	-1G	K48-16
ON→	ON→	ON	H	—	—	-1H	K71-16	-1H	K49-16
ON	← ON	← ON	J	—	—	-1J	K72-16	-1J	K50-16
ON→	← ON→	ON	K	—	—	MS27782-1K	8574K73-16	MS27783-1K	8575K51-16
ON	ON→	ON	L	—	—	-1L	K74-16	-1L	K52-16
ON→	← ON	ON	M	—	—	-1M	K75-16	-1M	K53-16
ON	← ON	ON	N	—	—	-1N	K76-16	-1N	K54-16
ON	ON→	← ON	P	—	—	-1P	K77-16	-1P	K55-16
ON	← ON→	ON*	E	—	—	MS27782-2E	8574K78-16	MS27783-2E	8575K56-16
ON→	ON	ON*	F	—	—	-2F	K79-16	-2F	K57-16
ON→	← ON→	ON*	K	—	—	-2K	K80-16	-2K	K58-16
ON	ON→	ON*	L	—	—	-2L	K81-16	-2L	K59-16
ON→	← ON	ON*	M	—	—	-2M	K82-16	-2M	K60-16
ON	← ON	ON*	N	—	—	MS27782-2N	8574K83-16	MS27783-2N	8575K61-16
*ON	← ON→	ON*	E	—	—	-3E	K84-16	-3E	K62-16
*ON	← ON→	ON*	L	—	—	-3L	K85-16	-3L	K63-16
*ON	← ON	ON*	N	—	—	-3N	K86-16	-3N	K64-16

**\* Momentary contact.**

→ Indicates direction against which lever is locked.




See page A71 for circuit diagrams.

Ⓛ Reference bushing styles on page A34.

# MILITARY - ENVIRONMENTALLY SEALED SWITCHES

Series - 8573, 8574, 8575

MIL-DTL-3950 IWTS Lever Locks

CIRCUIT WITH LEVER IN . . .			ONE POLE		TWO POLE		FOUR POLE		
Up Position 	Center Position 	Down Position (Keyway) 	Lever ① Lock Bushing Style	MS Part Number	Catalog Number	MS Part Number	Catalog Number	MS Part Number	Catalog Number
ON →	← OFF →	← ON	A	MS27787-21A	8573K1-20	MS27788-21A	8574K1-20	MS27789-21A	8575K1-20
ON	← OFF →	← ON	B	-21B	K27-20	-21B	K27-20	-21B	K27-20
ON →	OFF	← ON	D	-21D	K5-20	-21D	K5-20	-21D	K5-20
ON	← OFF →	ON	E	-21E	K2-20	-21E	K2-20	-21E	K2-20
ON →	OFF	ON	F	-21F	K28-20	-21F	K28-20	-21F	K28-20
ON	OFF	← ON	G	MS27787-21G	8573K3-20	MS27788-21G	8574K3-20	MS27789-21G	8575K3-20
ON →	OFF →	ON	H	-21H	K29-20	-21H	K29-20	-21H	K29-20
ON	← OFF →	← ON	J	-21J	K30-20	-21J	K30-20	-21J	K30-20
ON →	← OFF →	ON	K	-21K	K31-20	-21K	K31-20	-21K	K31-20
ON	OFF →	ON	L	-21L	K32-20	-21L	K32-20	-21L	K32-20
ON →	← OFF	ON	M	MS27787-21M	8573K33-20	MS27788-21M	8574K33-20	MS27789-21M	8575K33-20
ON	← OFF	ON	N	-21N	K4-20	-21N	K4-20	-21N	K4-20
ON	OFF →	← ON	P	-21P	K34-20	-21P	K34-20	-21P	K34-20
ON →	NONE	← OFF	D	-22D	K10-20	-22D	K10-20	-22D	K10-20
ON →	NONE	OFF	F	-22F	K35-20	-22F	K35-20	-22F	K35-20
ON	NONE	← OFF	G	MS27787-22G	8573K9-20	MS27788-22G	8574K9-20	MS27789-22G	8575K9-20
ON →	NONE	← ON	D	-23D	K6-20	-23D	K6-20	-23D	K6-20
ON →	NONE	ON	F	-23F	K36-20	-23F	K36-20	-23F	K36-20
ON	NONE	← ON	G	-23G	K7-20	-23G	K7-20	-23G	K7-20
ON	← OFF	NONE	E	-24E	K16-20	-24E	K16-20	-24E	K16-20
ON →	OFF	NONE	F	MS27787-24F	8573K37-20	MS27788-24F	8574K37-20	MS27789-24F	8575K37-20
ON →	← OFF	NONE	K	-24K	K38-20	-24K	K38-20	-24K	K38-20
ON →	← OFF	NONE	M	-24M	K11-20	-24M	K11-20	-24M	K11-20
ON →	NONE	ON *	F	-26F	K20-20	-26F	K20-20	-26F	K20-20
* ON	← OFF →	ON *	E	MS27787-27E	8573K12-20	MS27788-27E	8574K12-20	MS27789-27E	8575K12-20
* ON	OFF →	ON *	L	-27L	K39-20	-27L	K39-20	-27L	K39-20
* ON	← OFF →	ON *	N	-27N	K14-20	-27N	K14-20	-27N	K14-20
NONE	OFF →	ON *	E	-28E	K15-20	-28E	K15-20	-28E	K15-20
ON →	NONE	OFF*	F	-29F	K21-20	-29F	K21-20	-29F	K21-20
OFF →	NONE	ON *	F	MS27787-30F	8573K19-20	MS27788-30F	8574K19-20	MS27789-30F	8575K19-20
ON	← OFF →	ON *	E	-31E	K18-20	-31E	K18-20	-31E	K18-20
ON →	OFF	ON *	F	-31F	K40-20	-31F	K40-20	-31F	K40-20
ON →	← OFF →	ON *	K	-31K	K41-20	-31K	K41-20	-31K	K41-20
ON	OFF →	ON *	L	-31L	K13-20	-31L	K13-20	-31L	K13-20
ON →	← OFF	ON *	M	MS27787-31M	8573K17-20	MS27788-31M	8574K17-20	MS27789-31M	8575K17-20
ON	← OFF	ON *	N	-31N	K8-20	-31N	K8-20	-31N	K8-20
* ON	← ON	NONE	E	-32E	K23-20	-32E	K23-20	-32E	K23-20
ON	← ON	NONE	E	-33E	K24-20	-33E	K24-20	-33E	K24-20
ON →	ON	NONE	F	-33F	K25-20	-33F	K25-20	-33F	K25-20
ON →	← ON	NONE	K	MS27787-33K	8573K26-20	MS27788-33K	8574K26-20	MS27789-33K	8575K26-20
ON →	← ON	NONE	M	-33M	K42-20	-33M	K42-20	-33M	K42-20
ON →	← ON →	← ON	A	—	—	-1A	K65-20	-1A	K43-20
ON	← ON →	← ON	B	—	—	-1B	K66-20	-1B	K44-20
ON →	ON	← ON	D	—	—	MS27788-1D	K67-20	-1D	K45-20
ON	← ON →	ON	E	—	—	-1E	8574K68-20	MS27789-1E	8575K46-20
ON →	ON	ON	F	—	—	-1F	K69-20	-1F	K47-20
ON	ON	← ON	G	—	—	-1G	K70-20	-1G	K48-20
ON →	ON →	ON	H	—	—	-1H	K71-20	-1H	K49-20
ON	← ON	← ON	J	—	—	-1J	K72-20	-1J	K50-20
ON →	← ON →	ON	K	—	—	MS27788-1K	8574K73-20	MS27789-1K	8575K51-20
ON	ON →	ON	L	—	—	-1L	K74-20	-1L	K52-20
ON →	← ON	ON	M	—	—	-1M	K75-20	-1M	K53-20
ON	← ON	ON	N	—	—	-1N	K76-20	-1N	K54-20
ON	ON →	← ON	P	—	—	-1P	K77-20	-1P	K55-20
ON	← ON →	ON *	E	—	—	MS27788-2E	8574K78-20	MS27789-2E	8575K56-20
ON →	ON	ON *	F	—	—	-2F	K79-20	-2F	K57-20
ON →	← ON →	ON *	K	—	—	-2K	K80-20	-2K	K58-20
ON	ON →	ON *	L	—	—	-2L	K81-20	-2L	K59-20
ON →	← ON	ON *	M	—	—	-2M	K82-20	-2M	K60-20
ON	← ON	ON *	N	—	—	MS27788-2N	8574K83-20	MS27789-2N	8575K61-20
* ON	← ON →	ON *	E	—	—	-3E	K84-20	-3E	K62-20
* ON	ON →	ON *	L	—	—	-3L	K85-20	-3L	K63-20
* ON	← ON	ON *	N	—	—	-3N	K86-20	-3N	K64-20

\* Momentary contact.

→ Indicates direction against which lever is locked.

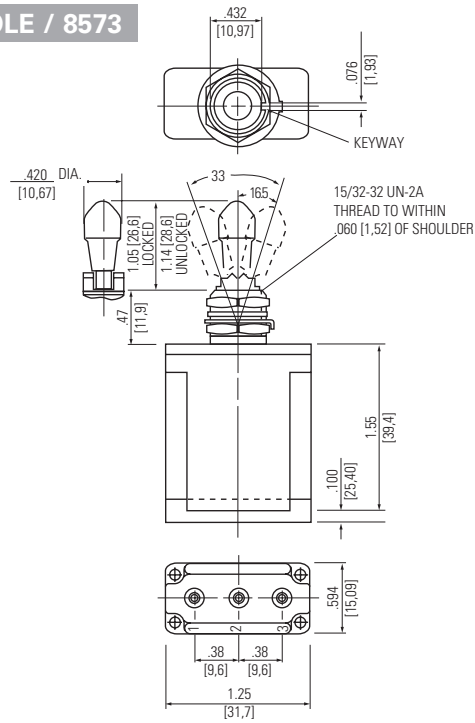
See page A71 for circuit diagrams.

① Reference bushing styles on page A34.

# MILITARY - ENVIRONMENTALLY SEALED SWITCHES MIL-DTL-3950 IWTS Lever Locks

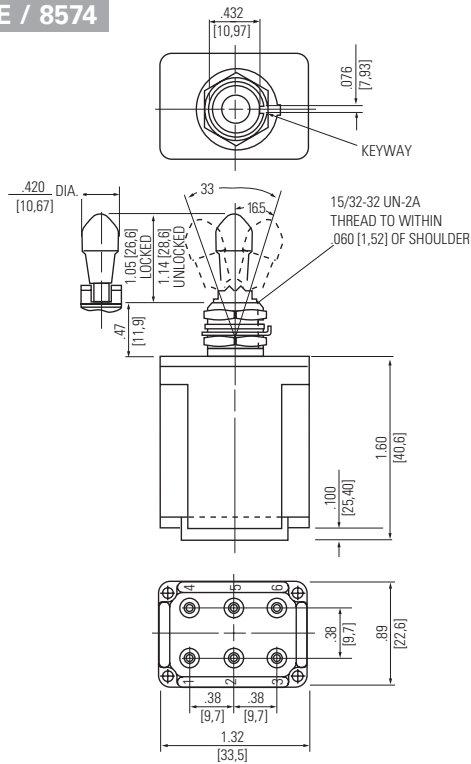
Series - 8573, 8574, 8575

## MOUNTING DIMENSIONS - ONE POLE / 8573



### Terminal Identification

## MOUNTING DIMENSIONS - TWO POLE / 8574



### Terminal Identification

<b>STANDARD</b>
0.00 = inches
[0,0] = mm

Mounting dimensions for reference only.

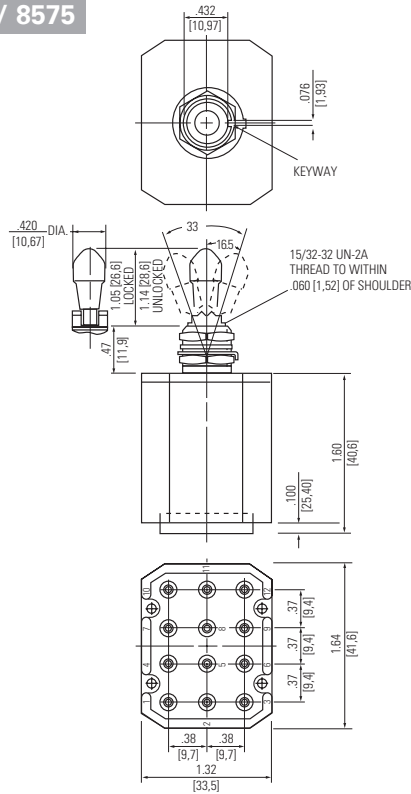
Non-functional terminals not supplied.

# MILITARY - ENVIRONMENTALLY SEALED SWITCHES

## Series - 8573, 8574, 8575

# MIL-DTL-3950 IWTS Lever Locks

### MOUNTING DIMENSIONS - FOUR POLE / 8575



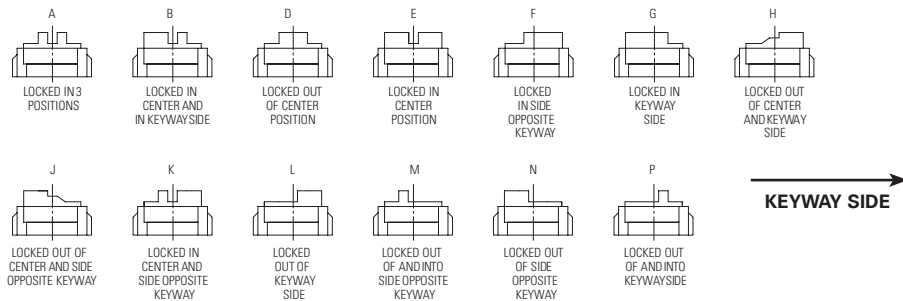
### Terminal Identification

Non-functional terminals not supplied.

### OPTIONS/ACCESSORIES

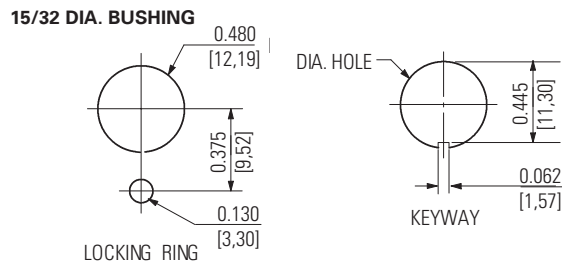
- Special mounting hardware
- Mounting hardware furnished assembled
- Special circuits
- Panel seal, part number 32-341 (See Accessories and Custom Components section)
- Special shaped caps available
- Custom wiring harnesses

### LEVER LOCK - BUSHING STYLES



Figures A thru P do not represent details of construction. They schematically illustrate locking function.

### PANEL CUTOUT DIMENSIONS



### STANDARD

0.00 = inches

[0,0] = mm

Mounting dimensions for reference only.

# Series A-3

# MULTI-CIRCUIT SWITCHES MIL-PRF-8805 or Industrial Grade Toggle Switches

FEATURES	SPECIFICATIONS	CURRENT RATINGS										
		No. of Poles	Part Number	Basic Switches	28VDC				115VAC			
					Inrush Load <sup>①</sup>	Resistive Load	Inductive Load	Lamp Load	Inrush Load	Resistive Load	Inductive Load	Lamp Load
<ul style="list-style-type: none"> <li>Two and three position</li> <li>Isolated circuitry multi-circuit, compact 2, 4, 6 or 8 poles</li> <li>Maintained and momentary action</li> <li>Lever locking configurations</li> <li>Stainless steel construction</li> <li>Double turret terminals</li> </ul>	<ul style="list-style-type: none"> <li>Ambient operating temperature: -40°F to +165°F (-40°C to +74°C)</li> <li>Operating force 1 to 6 pounds (.22 to 1.35N)</li> <li>Electrical life: 25,000 operations minimum</li> <li>Mechanical life: 100,000 operations minimum</li> </ul>	2	A3-212 to A3-213	STD	25	7	4	2.5	20	7	7	2
		4	A3-200 to A3-201	STD	25	7	4	2.5	20	7	7	2
		6	A3-202 to A3-203	STD	25	7	4	2.5	20	7	7	2
		8	A3-204 to A3-205	STD	25	7	4	2.5	20	7	7	2
		2	A3-214 to A3-215	Sealed	24	5	3	2.4	15	5	5	1.5
		4	A3-206 to A3-207	Sealed	24	5	3	2.4	15	5	5	1.5
		6	A3-208 to A3-209	Sealed	24	5	3	2.4	15	5	5	1.5
		8	A3-210 to A3-211	Sealed	24	5	3	2.4	15	5	5	1.5

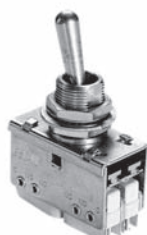
① 0.05 sec. duration.

## SELECTION TABLE

TOGGLE POSITION & ACTION				WITH STANDARD BASIC SWITCHES				
	Position #1 (D-Flat)	Position #2 (Center)	Position #3 (Opposite)	2 Poles	4 Poles	6 Poles	8 Poles	Lever Lock Options
<b>STANDARD (NON-LOCKING) TOGGLES</b>								
2 Position	On	None	On*	A3-212-07	A3-200-07	A3-202-07	A3-204-07	
	*On	None	On	-06	-06	-06	-06	
	On	None	On	-05	-05	-05	-05	
3 Position	*On	Off	On*	A3-212-04	A3-200-04	A3-202-04	A3-204-04	
	On	Off	On*	-03	-03	-03	-03	
	*On	Off	On	-02	-02	-02	-02	
	On	Off	On	-01	-01	-01	-01	
<b>LEVER-LOCK TOGGLES (Complete by adding code letter from below after "slash")</b>								
2 Position	On	None	On*	A3-213-07/	A3-201-07/	A3-203-07/	A3-205-07/	G
	*On	None	On	-06/	-06/	-06/	-06/	F
	On	None	On	-05/	-05/	-05/	-05/	D, F, G
3 Position	*On	Off	On*	A3-213-04/	A3-201-04/	A3-203-04/	A3-205-04/	E, L, N
	On	Off	On*	-03/	-03/	-03/	-03/	B, E, G, J,
	*On	Off	On	-02/	-02/	-02/	-02/	L, N, P
	On	Off	On	-01/	-01/	-01/	-01/	E, F, H, K,
	On	Off	On	-01/	-01/	-01/	-01/	L, M, N



A3-213

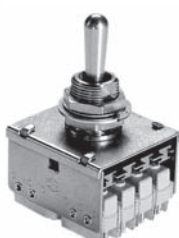


A3-200

TOGGLE POSITION & ACTION				WITH SEALED BASIC SWITCHES				
	Position #1 (D-Flat)	Position #2 (Center)	Position #3 (Opposite)	2 Poles	4 Poles	6 Poles	8 Poles	Lever Lock Options
<b>Standard (Non-Locking Toggles)</b>								
2 Position	On	None	On*	A3-214-07	A3-206-07	A3-208-07	A3-210-07	
	*On	None	On	-06	-06	-06	-06	
	On	None	On	-05	-05	-05	-05	
3 Position	*On	Off	On*	A3-214-04	A3-206-04	A3-208-04	A3-210-04	
	On	Off	On*	-03	-03	-03	-03	
	*On	Off	On	-02	-02	-02	-02	
	On	Off	On	-01	-01	-01	-01	
<b>LEVER-LOCK TOGGLES (Complete by adding code letter from below after "slash")</b>								
2 Position	On	None	On*	A3-215-07/	A3-207-07/	A3-209-07/	A3-211-07/	G
	*On	None	On	-06/	-06/	-06/	-06/	F
	On	None	On	-05/	-05/	-05/	-05/	D, F, G
3 Position	*On	Off	On*	A3-215-04/	A3-207-04/	A3-209-04/	A3-211-04/	E, L, N
	On	Off	On*	-03/	-03/	-03/	-03/	B, E, G, J,
	*On	Off	On	-02/	-02/	-02/	-02/	L, N, P
	On	Off	On	-01/	-01/	-01/	-01/	E, F, H, K,
	On	Off	On	-01/	-01/	-01/	-01/	L, M, N



A3-209



A3-210

\* **Momentary contact.**  
See page A71 for circuit diagrams.

### LEVER LOCKING CONFIGURATION SUFFIXES

- A** - Locked in three positions
- B** - Locked in center and extreme position ("D" flat side)
- D** - Locked out of center position
- E** - Locked in center position

- F** - Locked in extreme position (Opposite "D" flat)
- G** - Locked in extreme position ("D" flat side)
- H** - Locked out of center and extreme position ("D" flat side)

- J** - Locked out of center and extreme position (Opposite "D" flat)
- K** - Locked in center and extreme position (Opposite "D" flat)
- L** - Locked out of extreme position ("D" flat side)

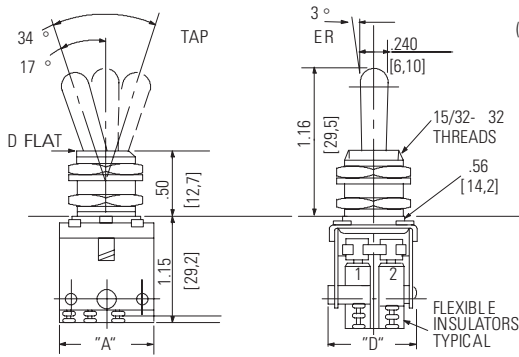
- M** - Locked out of and into extreme position (Opposite "D" flat)
- N** - Locked out of extreme position (Opposite "D" flat)
- P** - Locked out of and into extreme position ("D" flat side)

# MULTI-CIRCUIT SWITCHES

## Multi-Circuit Toggle Switches

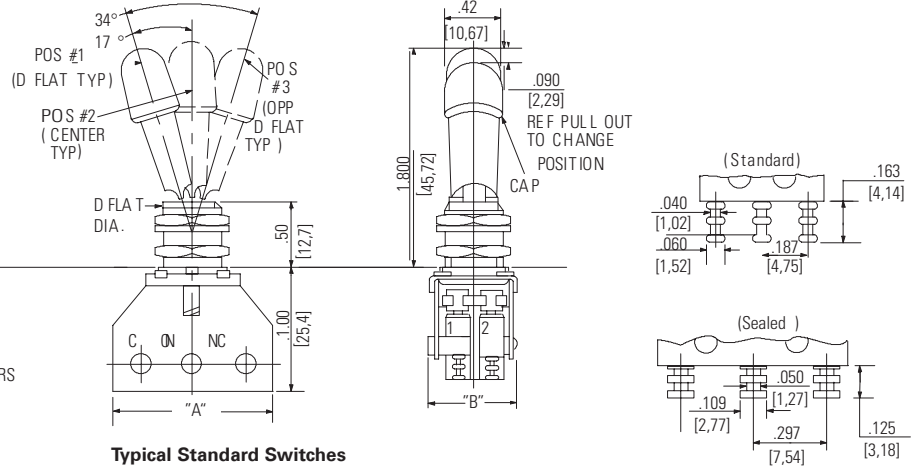
### APPROXIMATE DIMENSIONS

#### Standard Lever Type



Typical Standard Switches

#### Lock Lever Type



Typical Standard Switches

STANDARD				
Max. Dimension	2 Pole	4 Pole	6 Pole	8 Pole
"A"	0.72 in. (18.3 mm)	1.30 in. (33.0 mm)	1.30 in. (33.0 mm)	1.30 in. (33.0 mm)
"B"	0.67 in. (17.0 mm)	0.67 in. (17.0 mm)	0.93 in. (23.6 mm)	1.17 in. (29.7 mm)

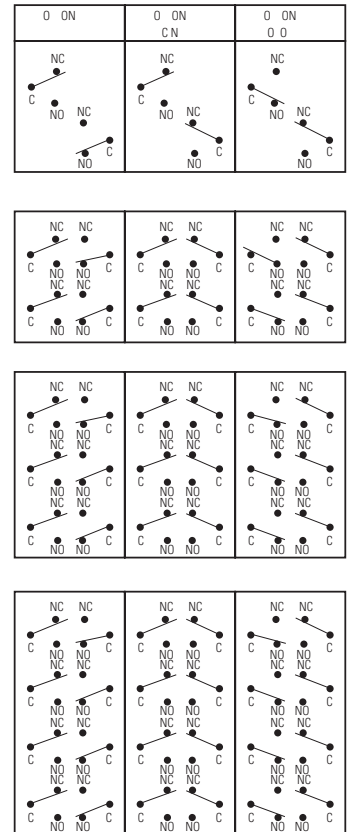
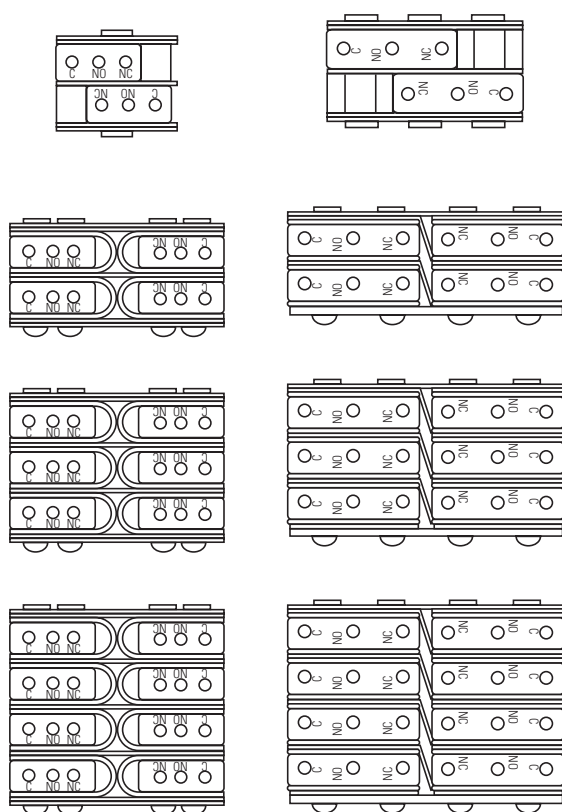
SEALED				
Max. Dimension	2 Pole	4 Pole	6 Pole	8 Pole
"A"	1.22 in. (31.0 mm)	1.65 in. (41.9 mm)	1.65 in. (41.9 mm)	1.65 in. (41.9 mm)
"B"	0.67 in. (17.0 mm)	0.67 in. (17.0 mm)	0.93 in. (23.6 mm)	1.17 in. (29.7 mm)

### CROSS REFERENCE

### BACK CONFIGURATIONS

### SCHEMATIC

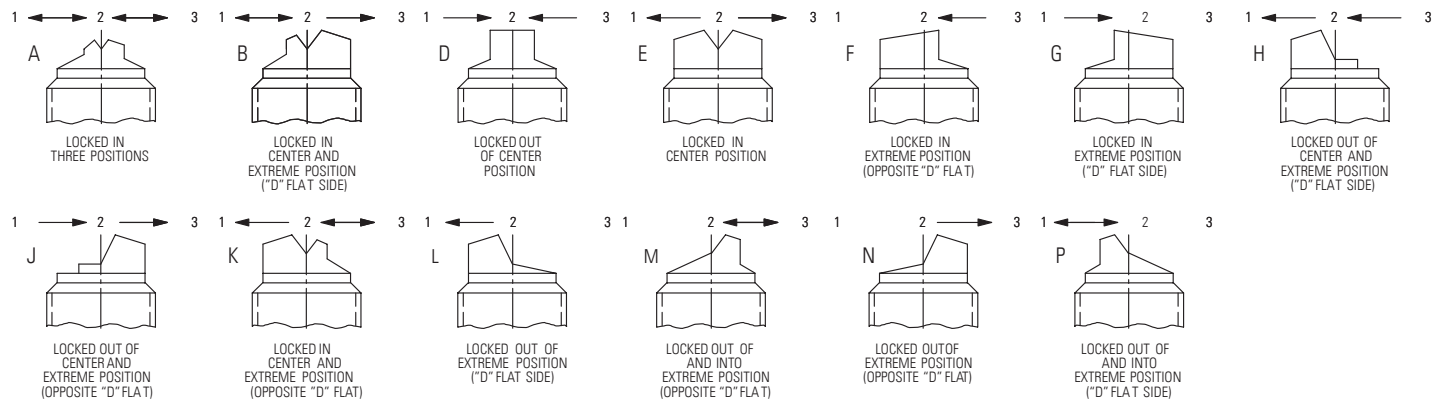
MIL-PRF-8805	Labinal Power Systems Part Number
M8805/93-001	A3-212-1
M8805/93-002	A3-212-2
M8805/93-003	A3-212-3
M8805/93-004	A3-212-4
M8805/93-005	A3-212-5
M8805/93-006	A3-212-6
M8805/93-007	A3-212-7
M8805/93-008	A3-200-1
M8805/93-009	A3-200-2
M8805/93-010	A3-200-3
M8805/93-011	A3-200-4
M8805/93-012	A3-200-5
M8805/93-013	A3-200-6
M8805/93-014	A3-200-7
M8805/93-015	A3-202-1
M8805/93-016	A3-202-2
M8805/93-017	A3-202-3
M8805/93-018	A3-202-4
M8805/93-019	A3-202-5
M8805/93-020	A3-202-6
M8805/93-021	A3-202-7
M8805/93-022	A3-204-1
M8805/93-023	A3-204-2
M8805/93-024	A3-204-3
M8805/93-025	A3-204-4
M8805/93-026	A3-204-5
M8805/93-027	A3-204-6
M8805/93-028	A3-204-7



**ORDERING EXAMPLES**

- Standard - A3-206-03 equals a 3-position (ON-OFF-MOM ON) 4-pole switch with sealed basics.
- Lever Lock - A3-213-04/E equals a 3-position (MOM ON-OFF-MOM ON) 2-pole switch with std. basics and E-lock.
- Available Locking Configurations (See table above. Add code letter after partial type number.)

**LEVER LOCKING CONFIGURATION SUFFIXES - BUSHING STYLES**

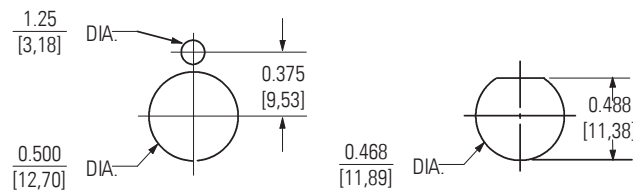


Notes: 1. Arrows (<>) indicated lever must be unlocked to move against the arrow direction.  
 2. "D" flat is on the left side as viewed.

Figures A thru P do not represent details of construction. They schematically illustrate locking function.

**OPTIONS/ACCESSORIES      PANEL CUTOUT**

- Low level circuitry
- Pin type termination
- Quick Connect terminals
- Lever seal
- Various color caps available



**Recommended Panel Mounting Dimensions**

# ENVIRONMENTALLY SEALED POSITIVE ACTION SWITCHES







Series-8836-8838  
& 8843-8845

MIL-DTL-8834 Environmentally Sealed Positive Action Switches

FEATURES		SPECIFICATIONS		CURRENT RATINGS									
<ul style="list-style-type: none"> <li>Environmentally sealed</li> <li>High electrical/ mechanical reliability</li> <li>Non-teasible mechanism</li> <li>Wiping action contacts</li> <li>Positive make and break action</li> <li>Molded-in terminal numbers</li> <li>One hole mounting for easy installation</li> <li>Terminal variations</li> <li>Toggle and lever lock Actuator</li> <li>Dry circuit (logic level loads) to power switching levels</li> <li>Solderable screw terminals</li> <li>1, 2 and 4 pole circuitry</li> </ul>	<ul style="list-style-type: none"> <li>Environmentally sealed per MIL-DTL-8834</li> <li>MS approved and QPL'd per MIL-DTL-8834</li> <li>Two terminal variations - Screw 6-32 UNC-2B threads - Solder Lug .125 [3,17] dia. hole</li> <li>Temperature range: -67°F to +160°F (-55°C to +71°C)</li> <li>Life: 20,000 cycles at rated load 40,000 cycles mechanical life</li> <li>Positive action mechanism for high reliability and low contact bounce</li> </ul>	No. of Poles	Catalog Number	Type of Operation	28VDC (Amperes per pole)			115VAC 400Hz			115VAC 60Hz		
					Lamp Load	Resistive Load	Inductive Load	Lamp Load	Resistive Load	Inductive Load	Lamp Load	Resistive Load	Inductive Load
		1	8836 & 8843	Maintained & Momentary	7	25	15	7	25	15	7	20	15
		2	8837 & 8844	Maintained & Momentary	7	25	15	7	25	15	7	20	15
4	8838 & 8845	Maintained & Momentary	7	25	15	7	25	15	7	20	15		

Minimum Rating: 10 milliamperes at 30 millivolts.

## LEVER LOCK SELECTION TABLE

	CIRCUIT WITH LEVER IN . . .			CATALOG NUMBER			
	Up Position	Center Position	Down Position (Keyway)	Screw Terminal		Solder Lug	
				MS Part Number	Catalog Number	MS Part Number	Catalog Number
<b>8836</b> 	<b>ONE POLE</b>						
	ON	OFF	ON	MS25306-212	8836K1	MS14001-212	8836K91
	ON	NONE	OFF	-222	K9	-222	K99
	ON	NONE	ON	-232	K4	-232	K94
	ON	OFF	NONE	-242	K6	-242	K96
	ON	NONE	ON*	MS25306-262	8836K5	MS14001-262	8836K95
	* ON	OFF	ON*	-272	K2	-272	K92
	NONE	OFF	ON*	-282	K7	-282	K97
	ON	NONE	OFF*	-292	K10	-292	K910
	OFF	NONE	ON*	MS25306-302	8836K11	MS14001-302	8836K911
ON	OFF	ON*	-312	K13	-312	K93	
<b>8837</b> 	<b>TWO POLE</b>						
	ON	OFF	ON	MS25307-212	8837K1	MS14002-212	8837K91
	ON	NONE	OFF	-222	K9	-222	K99
	ON	NONE	ON	-232	K4	-232	K94
	ON	OFF	NONE	-242	K6	-242	K96
	ON	NONE	ON*	MS25307-262	8837K5	MS14002-262	8837K95
	* ON	OFF	ON*	-272	K2	-272	K92
	NONE	OFF	ON*	-282	K7	-282	K97
	ON	NONE	OFF*	-292	K10	-292	K910
	OFF	NONE	ON*	MS25307-302	8837K11	MS14002-302	8837K911
ON	OFF	ON*	-312	K3	-312	K93	
<b>8838</b> 	<b>FOUR POLE</b>						
	ON	OFF	ON	MS25308-212	8838K1	MS14003-212	8838K91
	ON	NONE	OFF	-222	K9	-222	K99
	ON	NONE	ON	-232	K4	-232	K94
	ON	OFF	NONE	-242	K6	-242	K96
	ON	NONE	ON*	MS25308-262	8838K5	MS14003-262	8838K95
	* ON	OFF	ON*	-272	K2	-272	K92
	NONE	OFF	ON*	-282	K7	-282	K97
	ON	NONE	OFF*	-292	K10	-292	K910
	OFF	NONE	ON*	MS25308-302	8838K11	MS14003-302	8838K911
ON	OFF	ON*	-312	K3	-312	K93	

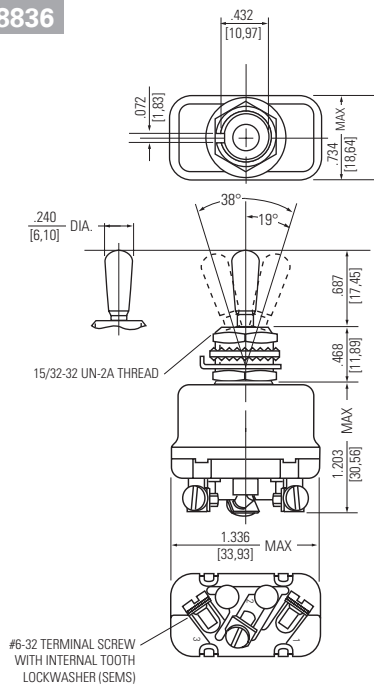
\* **Momentary contact.**  
See page A75 for special circuit diagrams.  
Note: Screw terminal version shown.



Series-8836-8838  
& 8843-8845

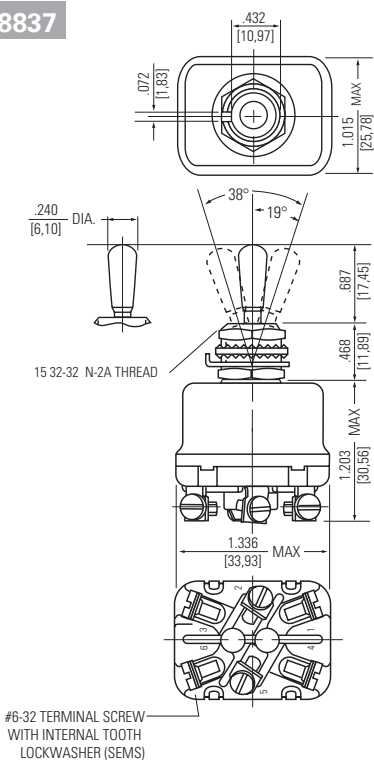
# ENVIRONMENTALLY SEALED POSITIVE ACTION SWITCHES MIL-DTL-8834 Environmentally Sealed Positive Action Switches

## MOUNTING DIMENSIONS - ONE POLE / 8836 SCREW TERMINALS



### Terminal Identification

## MOUNTING DIMENSIONS - TWO POLE / 8837 SCREW TERMINALS



### Terminal Identification

<b>STANDARD</b>
0.00 = inches
[0,0] = mm

Mounting dimensions for reference only.

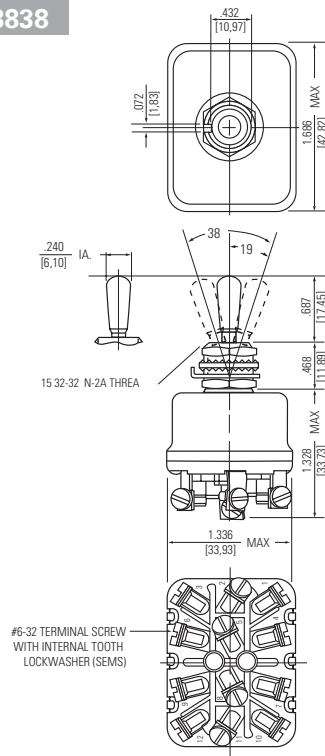
Non-functional terminals not supplied.

# ENVIRONMENTALLY SEALED POSITIVE ACTION SWITCHES

Series-8836-8838  
& 8843-8845

MIL-DTL-8834 Environmentally Sealed Positive Action Switches

## MOUNTING DIMENSIONS - FOUR POLE / 8838 SCREW TERMINALS



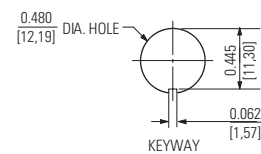
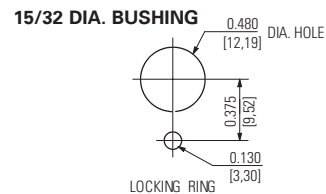
### Terminal Identification

Non-functional terminals not supplied.

## OPTIONS/ACCESSORIES

- Special mounting hardware
- Mounting hardware furnished assembled
- Panel seal, Part Number 32-341
- Terminal screws furnished assembled
- Terminal screws omitted
- Solder lug termination
- Substitute SEMS screws
- Special marking
- Special "3 Cateye" luminous lever attachment - 8836-8838 only
- Lever extensions and attachable tips (See Accessories and Custom Components section)
- Custom wiring harnesses

## PANEL CUTOUT



### STANDARD

0.00 = inches

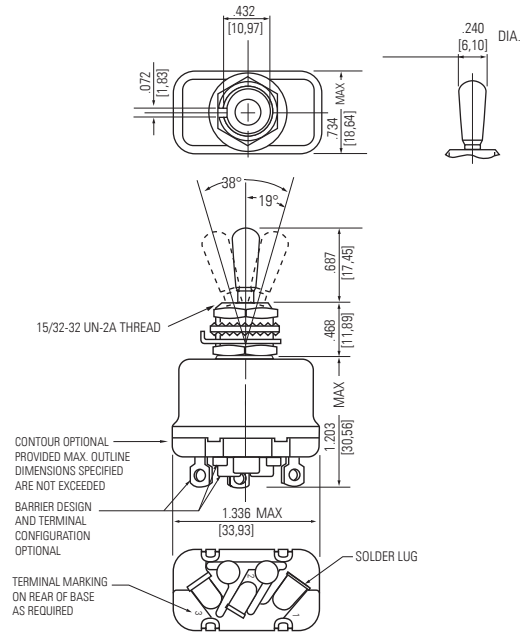
[0,0] = mm

Mounting dimensions for reference only.

Series-8836-8838  
& 8843-8845

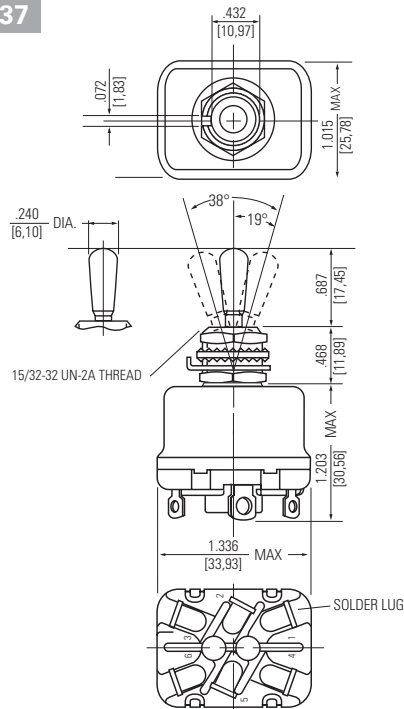
# ENVIRONMENTALLY SEALED POSITIVE ACTION SWITCHES MIL-DTL-8834 Environmentally Sealed Positive Action Switches

## MOUNTING DIMENSIONS - ONE POLE / 8836 SOLDER LUG TERMINALS



**Terminal Identification**

## MOUNTING DIMENSIONS - TWO POLE / 8837 SOLDER LUG TERMINALS



**Terminal Identification**

**STANDARD**  
0.00 = inches  
[0,0] = mm

Mounting dimensions for reference only.

Non-functional terminals not supplied.

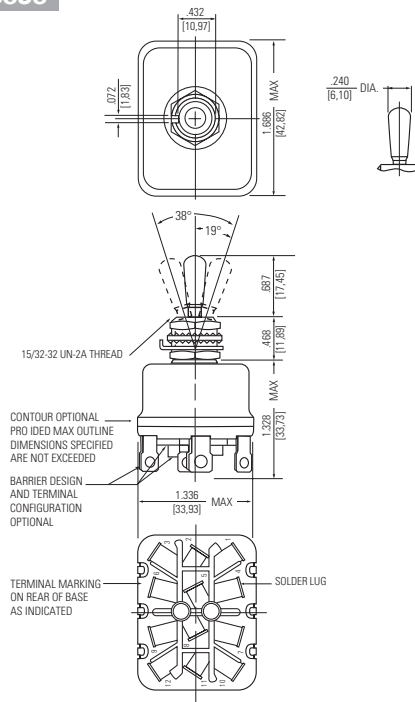
# ENVIRONMENTALLY SEALED POSITIVE ACTION SWITCHES

Series-8836-8838

MIL-DTL-8834 Environmentally Sealed Positive Action Switches

& 8843-8845

## MOUNTING DIMENSIONS - FOUR POLE/ 8838 SOLDER LUG TERMINALS



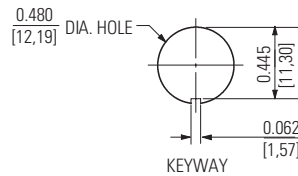
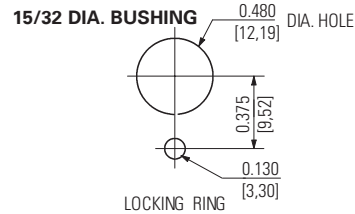
### Terminal Identification

Non-functional terminals not supplied.

## OPTIONS/ACCESSORIES

- Special mounting hardware
- Mounting hardware furnished assembled
- Panel seal, Part Number 32-341
- Terminal screws furnished assembled
- Terminal screws omitted
- Substitute sems screws
- Special marking
- Special "3 Cateye" luminous lever attachment - 8836-8838 only
- Lever extensions and attachable tips (See Accessories and Custom Components section)
- Custom wiring harnesses

## PANEL CUTOUT DIMENSIONS



**STANDARD**  
0.00 = inches  
[0,0] = mm

Mounting dimensions for reference only.

Series-8836-8838  
& 8843-8845

ENVIRONMENTALLY SEALED POSITIVE ACTION SWITCHES  
MIL-DTL-8834 Environmentally Sealed Positive Action Switches  
Lever Lock

SELECTION TABLE

CIRCUIT WITH LEVER IN . . .						
	Up Position	Center Position	Down Position (Keyway)	Lever ① Lock Bushing Style	MS Part Number	Catalog Number
	<b>ONE POLE</b>					
8843	ON →	← OFF →	← ON	A	MS24612-A212	8843K1
	ON	← OFF →	ON	B	-B212	K2
	ON	← OFF →	NONE	B	-B242	K16
	ON	OFF	← ON	C	-C212	K3
	ON	NONE	← OFF	C	-C222	K9
	ON	NONE	← ON	C	MS24612-C232	8843K7
	ON	← OFF →	ON	D	-D212	K4
	ON →	OFF	← ON	E	-E212	K5
	ON →	NONE	← OFF	E	-E222	K10
	ON →	NONE	← ON	E	-E232	K6
	* ON	← OFF →	ON*	F	MS24612-F272	8843K12
	ON	OFF →	ON*	G	-G312	K13
	* ON	← OFF →	ON*	H	-H272	K14
	ON →	← OFF →	NONE	J	-J242	K11
	NONE	OFF →	ON*	K	-K282	K15
ON	← OFF →	ON*	K	MS24612-K312	8843K18	
ON →	NONE	ON*	L	-L262	K20	
ON →	NONE	OFF*	L	-L292	K21	
OFF →	NONE	ON*	L	-L302	K19	
ON	← OFF →	ON*	M	-M312	K8	
ON →	← OFF →	ON*	N	-N312	K17	
	<b>TWO POLE</b>					
8844	ON →	← OFF →	← ON	A	MS24613-A212	8844K1
	ON	← OFF →	ON	B	-B212	K2
	ON	← OFF →	NONE	B	-B242	K16
	ON	OFF	← ON	C	-C212	K3
	ON	NONE	← OFF	C	-C222	K9
	ON	NONE	← ON	C	MS24613-C232	8844K7
	ON	← OFF →	ON	D	-D212	K4
	ON →	OFF	← ON	E	-E212	K5
	ON →	NONE	← OFF	E	-E222	K10
	ON →	NONE	← ON	E	-E232	K6
	* ON	← OFF →	ON*	F	MS24613-F272	8844K12
	ON	OFF →	ON*	G	-G312	K13
	* ON	← OFF →	ON*	H	-H272	K14
	ON →	← OFF →	NONE	J	-J242	K11
	NONE	OFF →	ON*	K	-K282	K15
ON	← OFF →	ON*	K	MS24613-K312	8844K18	
ON →	NONE	ON*	L	-L262	K20	
ON →	NONE	OFF*	L	-L292	K21	
OFF →	NONE	ON*	L	-L302	K19	
ON	← OFF →	ON*	M	-M312	K8	
ON →	← OFF →	ON*	N	-N312	K17	
	<b>FOUR POLE</b>					
8845	ON →	← OFF →	← ON	A	MS24614-A212	8845K1
	ON	← OFF →	ON	B	-B212	K2
	ON	← OFF →	NONE	B	-B242	K16
	ON	OFF	← ON	C	-C212	K3
	ON	NONE	← OFF	C	-C222	K9
	ON	NONE	← ON	C	MS24614-C232	8845K7
	ON	← OFF →	ON	D	-D212	K4
	ON →	OFF	← ON	E	-E212	K5
	ON →	NONE	← OFF	E	-E222	K10
	ON →	NONE	← ON	E	-E232	K6
	* ON	← OFF →	ON*	F	MS24614-F272	8845K12
	ON	OFF →	ON*	G	-G312	K13
	* ON	← OFF →	ON*	H	-H272	K14
	ON →	← OFF →	NONE	J	-J242	K11
	NONE	OFF →	ON*	K	-K282	K15
ON	← OFF →	ON*	K	MS24614-K312	8845K18	
ON →	NONE	ON*	L	-L262	K20	
ON →	NONE	OFF*	L	-L292	K21	
OFF →	NONE	ON*	L	-L302	K19	
ON	← OFF →	ON*	M	-M312	K8	
ON →	← OFF →	ON*	N	-N312	K17	

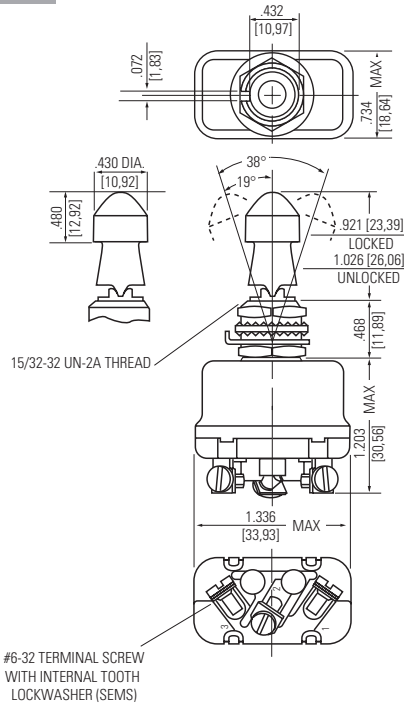
\* Momentary contact.  
→ Indicates direction against which lever is locked.  
① Reference bushing styles on page A45.

# ENVIRONMENTALLY SEALED POSITIVE ACTION SWITCHES

Series-8836-8838  
& 8843-8845

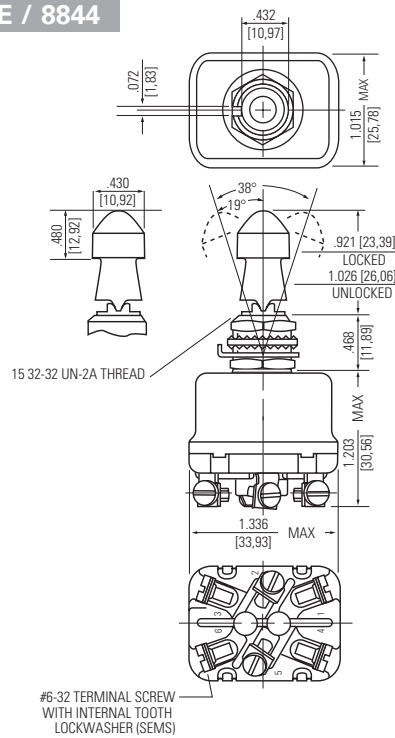
MIL-DTL-8834 Environmentally Sealed Positive Action Switches  
Lever Lock

## MOUNTING DIMENSIONS - ONE POLE / 8843



### Terminal Identification

## MOUNTING DIMENSIONS - TWO POLE / 8844



### Terminal Identification

<b>STANDARD</b>
0.00 = inches
[0,0] = mm

Mounting dimensions for reference only.

Non-functional terminals not supplied.

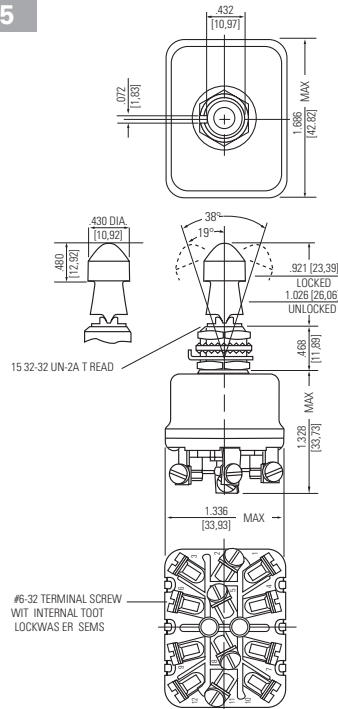
Series-8836-8838  
& 8843-8845

# ENVIRONMENTALLY SEALED POSITIVE ACTION SWITCHES

## MIL-DTL-8834 Environmentally Sealed Positive Action Switches

### Lever Lock

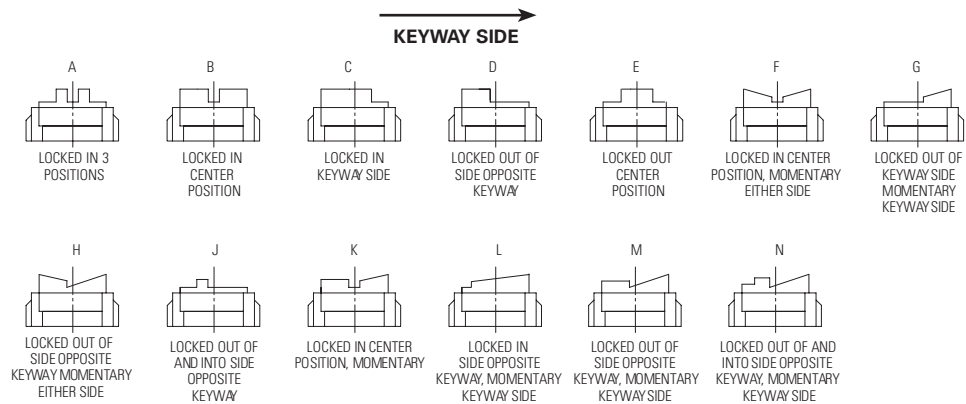
#### MOUNTING DIMENSIONS - FOUR POLE/ 8845



#### Terminal Identification

Non-functional terminals not supplied.

#### LEVER LOCK - BUSHING STYLES



Figures A thru N do not represent details of construction. They schematically illustrate locking function.

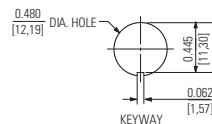
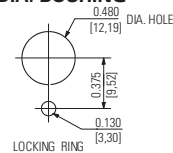
#### OPTIONS/ACCESSORIES

- Special mounting hardware
- Mounting hardware furnished assembled
- Panel seal, Part Number 32-341
- Terminal screws furnished assembled
- Terminal screws omitted
- Solder lug termination

- Substitute sems screws
- Special marking
- Special "3 Cateye" luminous lever attachment - 8836-8838 only
- Lever extensions and attachable tips (See Accessories and Custom Components section)
- Custom wiring harnesses

#### PANEL CUTOUT DIMENSIONS

##### 15/32 DIA. BUSHING



#### STANDARD

0.00 = inches

[0,0] = mm

Mounting dimensions for reference only.







# ENVIRONMENTALLY SEALED POSITIVE ACTION SWITCHES

## Series 8836KP-38KP Flush Mounted Environmentally Sealed Positive Action Switches

FEATURES		SPECIFICATIONS		CURRENT RATINGS									
<ul style="list-style-type: none"> <li>Environmentally Sealed</li> <li>High electrical/mechanical reliability</li> <li>Non-teasible mechanism</li> <li>Wiping action contacts</li> <li>Positive make and break action</li> <li>Molded-in terminal numbers</li> <li>Three hole design for flush mounting</li> <li>Dry circuit (logic level loads) to Power Switching levels</li> <li>1,2, and 4 pole circuitry</li> </ul>	<ul style="list-style-type: none"> <li>Environmentally sealed per MIL-DTL-8834</li> <li>Switch mechanism MS approved and QPL'd per MIL-DTL-8834</li> <li>Temperature Range: -67°F to 160°F (-55°C to +71°C)</li> <li>Life: 20,000 cycles at rated load, 40,000 cycles mechanical life</li> <li>Positive action mechanism for high reliability and low contact bounce</li> </ul>	No. of Poles	Catalog Number	Type of Operation	28VDC (Amperes per pole)			115VAC 400Hz (Amperes per pole)			115VAC 60Hz (Amperes per pole)		
		Lamp Load	Resistive Load	Inductive Load	Lamp Load	Resistive Load	Inductive Load	Lamp Load	Resistive Load	Inductive Load			
		1	8836KP	Maintained & Momentary	7	25	15	7	25	15	7	20	15
		2	8837KP	Maintained & Momentary	7	25	15	7	25	15	7	20	15
4	8838KP	Maintained & Momentary	7	25	15	7	25	15	7	20	15		

Minimum Rating: 10 microamperes at 30 millivolts.

### LEVER LOCK SELECTION TABLE

CIRCUIT WITH LEVER IN . . .					
	Up Position	Center Position	Down Position (Keyway)	Screw Terminal	① Toggle Lever Style Figure Number
				Catalog Number	
<b>ONE POLE</b>					
<b>8836KP</b> 	ON	OFF	ON	8836KP1	1
	ON	NONE	OFF	8836KP9	1
	ON	NONE	ON	8836KP4	1
	ON	NONE	ON*	8836KP5	1
	ON	OFF	ON*	8836KP3	1
	ON*	OFF	ON*	8836KP2	1
	ON	OFF	ON	8836KP1T	2
	ON	NONE	OFF	8836KP9T	2
<b>TWO POLE</b>					
<b>8837KP</b> 	ON	OFF	ON	8837KP1	1
	ON	NONE	OFF	8837KP9	1
	ON	NONE	ON	8837KP4	1
	ON	NONE	OFF*	8837KP10	1
	ON*	OFF	ON*	8837KP2	1
	ON	OFF	NONE	8837KP6	1
	ON	OFF	ON*	8837KP3	1
	ON	NONE	ON	8837KP4T	2
	ON	OFF	ON	8837KP1T	2
	<b>FOUR POLE</b>				
<b>8838KP</b> 	ON	OFF	ON	8838KP31	1
	ON	NONE	ON	8838KP34	1
	ON	OFF	NONE	8838KP36	1
	ON	OFF	ON	8838KP1	1
	ON	NONE	ON	8838KP4	1
	ON	OFF	ON*	8838KP3	1
	ON*	OFF	ON*	8838KP2	1
	ON	OFF	NONE	8838KP6	1
	ON	NONE	ON*	8838KP5	1

\* Momentary contact.

Note: Additional circuit arrangements available.

① Refer to page A47.



# ENVIRONMENTALLY SEALED POSITIVE ACTION SWITCHES

## Series 8836KP-38KP      Flush Mounted Environmentally Sealed Positive Action Switches

### MOUNTING DIMENSIONS - ONE POLE / 8836 KP

#### SCREW TERMINALS

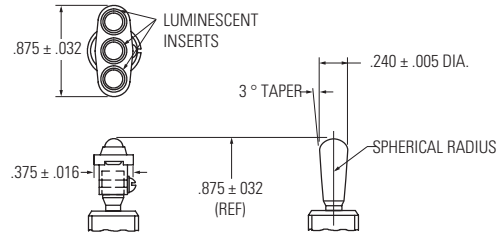
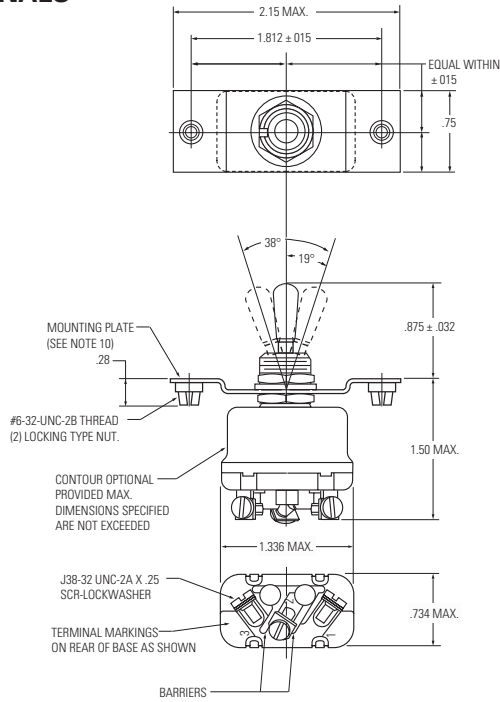


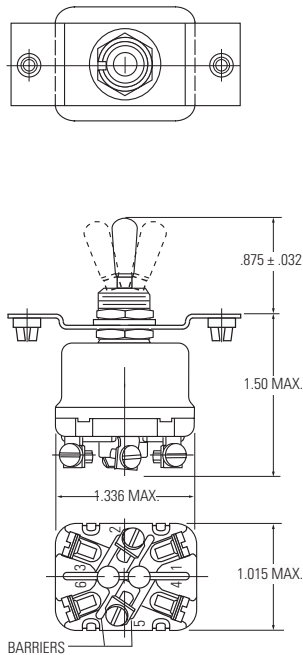
Figure 2

Figure 1

#### Terminal Identification

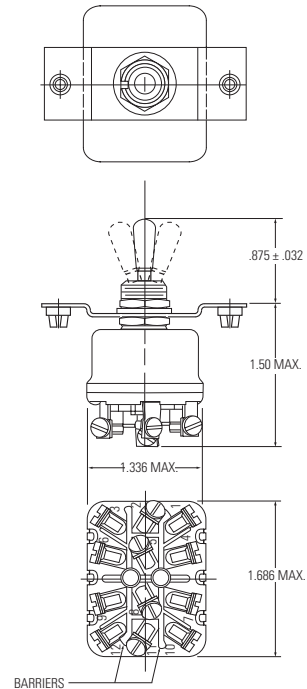
### MOUNTING DIMENSIONS - TWO POLE / 8837 KP

#### SCREW TERMINALS



### MOUNTING DIMENSIONS - FOUR POLE / 8838 KP

#### SCREW TERMINALS



**STANDARD**  
0.00 = inches  
[0,0] = mm

Mounting dimensions for reference only.

Non-functional terminals not supplied.

# MINIATURE POSITIVE ACTION SWITCHES



Series - 8866-8869

MIL-DTL-8834 Miniature Positive Action Switches  
Solder Lug Terminals

FEATURES		SPECIFICATIONS		CURRENT RATINGS							
<ul style="list-style-type: none"> <li>Sealed bushing</li> <li>Current rating versatility</li> <li>1 and 2 pole circuitry</li> <li>Non-teasible mechanism for all but center "ON" circuits</li> <li>Dry circuit (logic level loads) to power switching levels</li> <li>Wiping action contacts</li> <li>Positive make and break action</li> <li>Small and large size bushings and Actuator</li> <li>Solder lug terminals</li> <li>Also available with locking Actuator, integrated wire termination and printed circuit board terminals.</li> </ul>		<ul style="list-style-type: none"> <li>Bushing seal or bonded seal per MIL-DTL-8834</li> <li>MS approved and QPL'd to MIL-DTL-8834</li> <li>Temperature range: -67°F to +160°F (-55°C to +71°C)</li> <li>Life: 20,000 operations at rated load 40,000 operations mechanical life</li> <li>"O" ring panel seal on ¼" - 40 type bushing size</li> <li>Solder lug terminals .050 [1,27] dia. hole</li> </ul>		28VDC (Amperes per pole)		115VAC 60Hz and 400Hz (Amperes per pole)					
				Resistive Load		Inductive Load		Resistive Load		Inductive Load	
				28VDC		28VDC		60Hz 400Hz		60Hz 400Hz	
		No. of Poles	Catalog Number	Type of Operation							
		1	8866 8868	Maintained and Momentary	5	1	2	3	1	2	
		2	8867 8869	Maintained and Momentary	5	1	2	3	1	2	

Minimum Rating: 25 microamperes at 5 millivolts.

## SELECTION TABLE

CIRCUIT WITH LEVER IN . . .							
	Up Position	Center Position	Down Position (Keyway)	Military Part Number	Catalog Number ②		
 <p><b>8866</b></p>	<b>ONE POLE</b>						
		ON	OFF	ON	MS24655-211	8866K1	
		ON	NONE	OFF	-221	K7	
		ON	NONE	ON	-231	K4	
		ON	OFF	NONE	-241	K5	
		* ON	OFF	ON*	MS24655-271	8866K2	
		NONE	OFF	ON*	-281	K6	
		ON	OFF	ON*	-311	K3	
		NONE	ON	ON*	321	K8Ⓞ	
	 <p><b>8867</b></p>	<b>TWO POLE</b>					
		ON	OFF	ON	MS24656-211	8867K1	
		ON	NONE	OFF	-221	K7	
		ON	NONE	ON	-231	K4	
		ON	OFF	NONE	-241	K5	
		* ON	OFF	ON*	MS24656-271	8867K2	
		NONE	OFF	ON*	-281	K6	
		ON	OFF	ON*	-311	K3	
		NONE	ON	ON*	MS24656-321	8867K8 Ⓞ	
		ON	ON	ON	-331	K9 Ⓞ	
		ON	ON	ON*	-351	K10Ⓞ	
	* ON	ON	ON*	-341	K11Ⓞ		

**\* Momentary contact.**

See page A75 for special circuit diagrams.

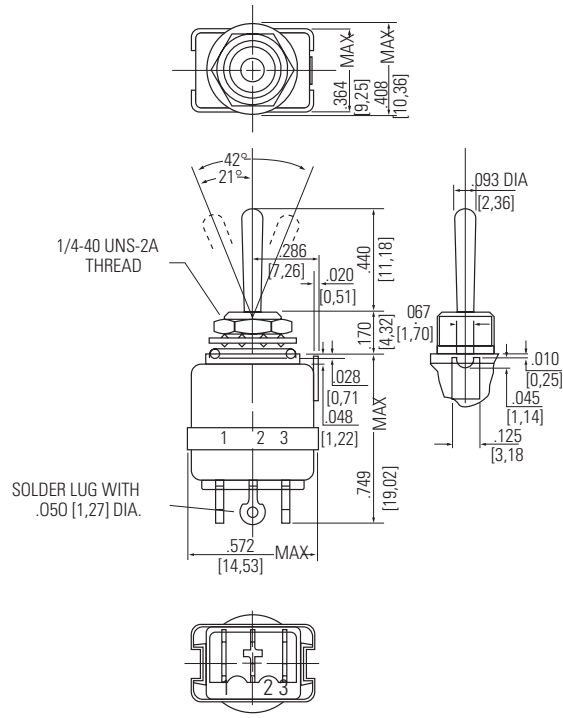
① Dielectric per MIL-DTL-8834 except limited to 1250 volts. Delayed action of the switch toggle lever may cause circuit to close or open before snap action mechanism trips.

② Caution should be exercised during soldering and flux removal. See page A56 for details.

Series - 8866-8869

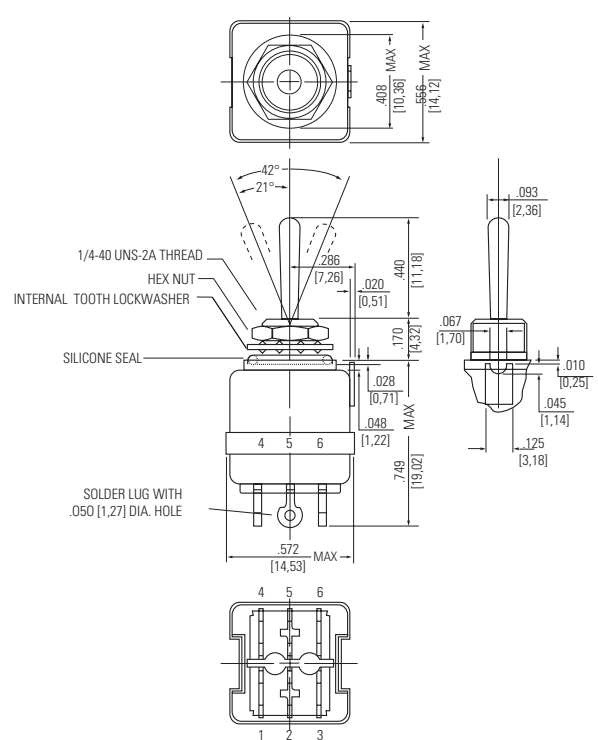
MINIATURE POSITIVE ACTION SWITCHES  
MIL-DTL-8834 Miniature Positive Action Switches  
Solder Lug Terminals

MOUNTING DIMENSIONS - ONE POLE / 8866



Terminal Identification

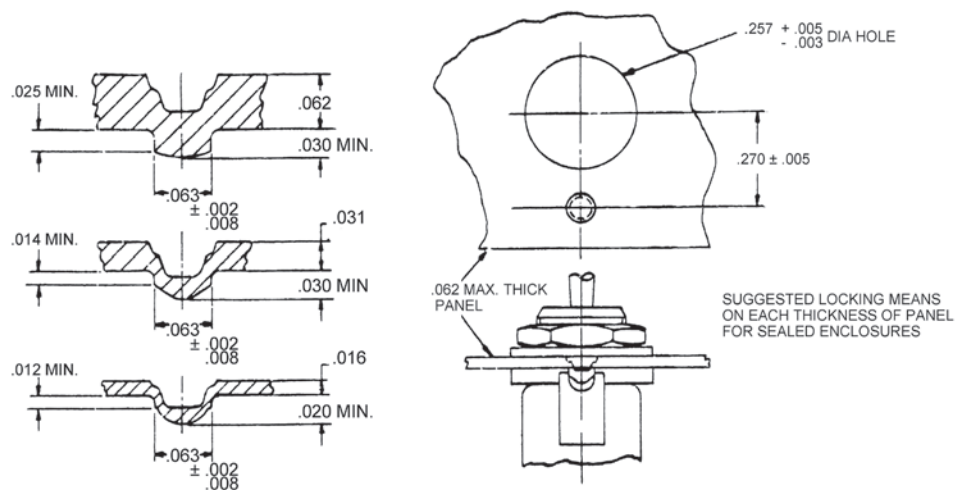
MOUNTING DIMENSIONS - TWO POLE / 8867



Terminal Identification

Non-functional terminals not supplied.

PANEL CUTOUT DIMENSIONS



**STANDARD**  
0.00 = inches  
[0,0] = mm






Mounting dimensions for reference only.

# MINIATURE POSITIVE ACTION SWITCHES

Series - 8866-8869

MIL-DTL-8834 Miniature Positive Action Switches  
Solder Lug Terminals

## SELECTION TABLE

		CIRCUIT WITH LEVER IN . . .							
		Up Position	Center Position	Down Position (Keyway)	MS Part Number	Catalog Number ②	MS Part Number ③	Catalog Number ②	
									
<b>8868</b>		<b>ONE POLE</b>							
		ON	OFF	ON	MS90310-211	8868K1	Feature Not Available in Single Pole Switches		
		ON	NONE	OFF	-221	K7			
		ON	NONE	ON	-231	K4			
		ON	OFF	NONE	-241	K5			
		* ON	OFF	ON*	MS90310-271	8868K2			
		NONE	OFF	ON*	-281	K6			
		ON	OFF	ON*	-311	K3			
		NONE	ON	ON*	MS21351-321	K8①			
		<b>8869</b>		<b>TWO POLE</b>					
ON	OFF			ON	MS90311-211	8869K1	MS90311-711	8869K1X	
ON	NONE			OFF	-221	K7	-721	K7X	
ON	NONE			ON	-231	K4	-731	K4X	
ON	OFF			NONE	-241	K5	-741	K5X	
* ON	OFF			ON*	MS90311-271	8869K2	MS90311-771	8869K2X	
NONE	OFF			ON*	-281	K6	-781	K6X	
ON	OFF			ON*	-311	K3	-811	K3X	
NONE	ON			ON*	MS21353-321	8869K8 ①	MS21353-821	8869K8X①	
ON	ON			ON	-331	K9 ①	-831	K9X①	
ON	ON			ON*	-351	K10 ①	-851	K10X①	
* ON	ON	ON*	-341	K11 ①	-841	K11X①			

\* **Momentary contact.**

① Dielectric per MIL-DTL-8834 except limited to 1250 volts. Delayed action of the switch toggle lever may cause circuit to close or open before snap action mechanism trips.

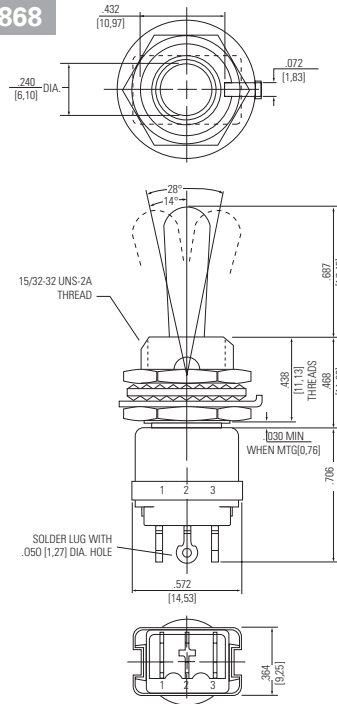
② Caution should be exercised during soldering and flux removal. See page A56 for details.

③ Furnished with Bonded Seal Feature. (Meets 15' water sealing level requirements.)

Series - 8866-8869

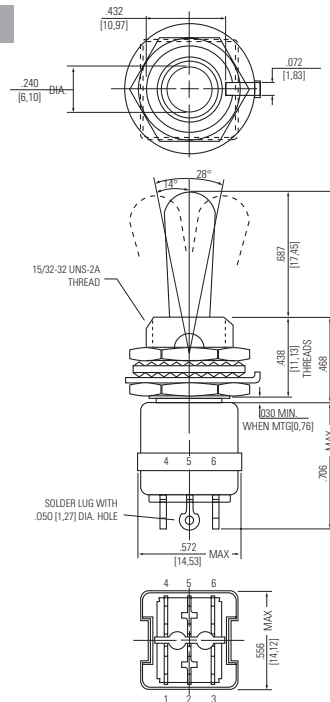
# MINIATURE POSITIVE ACTION SWITCHES MIL-DTL-8834 Miniature Positive Action Switches Solder Lug Terminals

## MOUNTING DIMENSIONS - ONE POLE / 8868



### Terminal Identification

## MOUNTING DIMENSIONS - TWO POLE / 8869



### Terminal Identification

<b>STANDARD</b>
0.00 = inches
[0,0] = mm

Mounting dimensions for reference only.

Non-functional terminals not supplied.

# MINIATURE POSITIVE ACTION SWITCHES

Series - 8866-8869

MIL-DTL-8834 Miniature Positive Action Switches

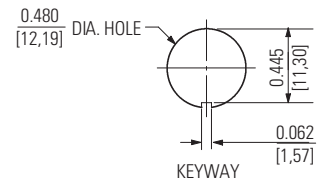
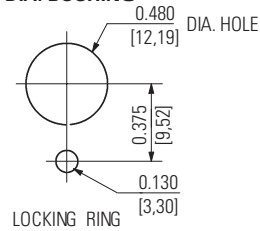
Solder Lug Terminals

## OPTIONS/ACCESSORIES

- Special mounting hardware
- Special marking
- Mounting hardware furnished assembled
- Panel seal, Part Number 32-341
- Lever extensions and attachable tips
- Special circuits
- Special bushing and lever plating
- Mounting adapter nuts
- Custom wire harnesses
- EMI/RFI capability on two pole (large bushing)
- Gold plated contacts

## PANEL CUTOUT DIMENSIONS

### 15/32 DIA. BUSHING



**STANDARD**  
0.00 = inches  
[0,0] = mm

Mounting dimensions for reference only.

See page A56 for soldering and cleaning recommendations.


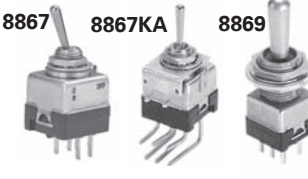
# Series - 8866, 8867, 8868, 8869

# MINIATURE POSITIVE ACTION SWITCHES MIL-DTL-8834 Miniature Positive Action Switches Printed Circuit Terminals

FEATURES		SPECIFICATIONS		CURRENT RATINGS								
<ul style="list-style-type: none"> <li>Sealed bushing</li> <li>Dry circuit (logic level loads) to power switching levels</li> <li>Two bushing and toggle lever sizes</li> <li>1 and 2 pole circuitry</li> <li>Non-teasible mechanism for all but center "ON" circuits</li> <li>Wiping action contacts</li> <li>Positive make and break action</li> <li>Small and large size bushings and Actuator</li> <li>Printed circuit board termination</li> <li>Two types of printed circuit board terminals:                             <ul style="list-style-type: none"> <li>- Straight</li> <li>- Formed (Right Angle)</li> </ul> </li> </ul>	<ul style="list-style-type: none"> <li>Bushing seal or bonded seal per MIL-DTL 8834</li> <li>MS approved and QPL'd to MIL-DTL-8834</li> <li>Temperature range: -67°F to +160°F (-55°C to +71°C)</li> <li>Life: 20,000 operations at rated load 40,000 operations mechanical life</li> <li>"O" ring panel seal on ¼" - 40 type bushing size</li> </ul>	<b>No. of Poles</b>		<b>Catalog Number</b>		<b>Type of Operation</b>		<b>28VDC (Amperes per pole)</b>		<b>115VAC 60Hz and 400Hz (Amperes per pole)</b>		
								<b>Resistive Load</b> 28VDC	<b>Inductive Load</b> 28VDC	<b>Resistive Load</b> 60Hz	<b>Resistive Load</b> 400Hz	<b>Inductive Load</b> 60Hz
		1	8866 8868	Maintained and Momentary	5	1	2	3	1	2		
		2	8867 8869	Maintained and Momentary	5	1	2	3	1	2		

Minimum Rating: 25 microamperes at 5 millivolts.

## SELECTION TABLE

CIRCUIT WITH LEVER IN . . .												
	Up Position	Center Position	Down Position (Keyway)	Small Lever With Straight Mount PC Terminals		Small Lever With Formed Mount PC Terminals		Large Lever With Straight Mount PC Terminals				
				MS Part Number	Catalog <sup>Ⓜ</sup> Number	MS Part Number	Catalog <sup>Ⓜ</sup> Number	MS Part Number	Catalog <sup>Ⓜ</sup> Number	MS Part <sup>Ⓝ</sup> Number	Catalog <sup>Ⓜ</sup> Number	
<b>One Pole</b>												
	ON	OFF	ON	MS21354-211	8866K61	MS21433-211	8866KA61	MS21356-211	8868K61	Feature Not Available in Single Pole Switches		
	ON	NONE	OFF	-221	K67	-221	KA67	-221	K67			
	ON	NONE	ON	-231	K64	-231	KA64	-231	K64			
	ON	OFF	NONE	-241	K65	-241	KA65	-241	K65			
	* ON	OFF	ON*	MS21354-271	8866K62	MS21433-271	8866KA62	MS21356-271	8868K62			
	NONE	OFF	ON*	-281	K66	-281	KA66	-281	K66			
	ON	OFF	ON*	-311	K63	-311	KA63	-311	K63			
	NONE	ON	ON*	-321	K68 <sup>Ⓞ</sup>	-321	KA68 <sup>Ⓞ</sup>	-321	K68 <sup>Ⓞ</sup>			
	<b>Two Pole</b>											
		ON	OFF	ON	MS21355-211	8867K61	MS21434-211	8867KA61	MS21357-211	8869K61	MS21357-711	8869K61X
ON		NONE	OFF	-221	K67	-221	KA67	-221	K67	-721	K67X	
ON		NONE	ON	-231	K64	-231	KA64	-231	K64	-731	K64X	
ON		OFF	NONE	-241	K65	-241	KA65	-241	K65	-741	K65X	
* ON		OFF	ON*	MS21355-271	8867K62	MS21434-271	8867KA62	MS21357-271	8869K62	MS21357-771	8869K62X	
NONE		OFF	ON*	-281	K66	-281	KA66	-281	K66	-781	K66X	
ON		OFF	ON*	-311	K63	-311	KA63	-311	K63	-811	K63X	
NONE		ON	ON*	MS21355-321	8867K68 <sup>Ⓞ</sup>	MS21434-321	8867KA68 <sup>Ⓞ</sup>	MS21357-321	8869K68 <sup>Ⓞ</sup>	MS21357-821	8869K68X <sup>Ⓞ</sup>	
ON		ON	ON	-331	K69 <sup>Ⓞ</sup>	-331	KA69 <sup>Ⓞ</sup>	-331	K69 <sup>Ⓞ</sup>	-831	K69X <sup>Ⓞ</sup>	
ON		ON	ON*	-351	K610 <sup>Ⓞ</sup>	-351	KA610 <sup>Ⓞ</sup>	-351	K610 <sup>Ⓞ</sup>	-851	K610X <sup>Ⓞ</sup>	
* ON	ON	ON*	-341	K611 <sup>Ⓞ</sup>	-341	KA611 <sup>Ⓞ</sup>	-341	K611 <sup>Ⓞ</sup>	-841	K611X <sup>Ⓞ</sup>		

**\* Momentary contact.**

See page A75 for special circuit diagrams.

Ⓞ Dielectric per MIL-DTL-8834 except limited to 1250 volts. Delayed action of the switch toggle lever may cause circuit to close or open before snap action mechanism trips.

Ⓜ Caution should be exercised during soldering and flux removal. See page A56 for details.

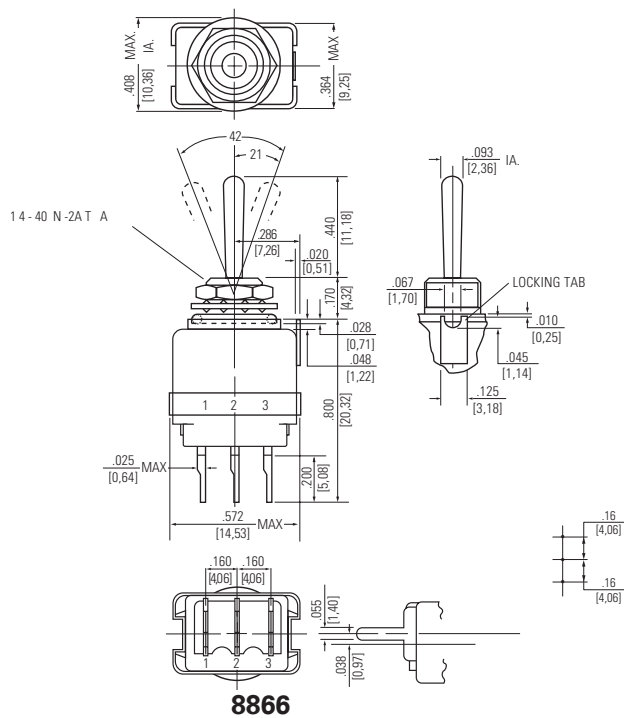
Ⓝ Furnished with Bonded Seal Feature. (Meets 15' water sealing level requirement.)

# MINIATURE POSITIVE ACTION SWITCHES

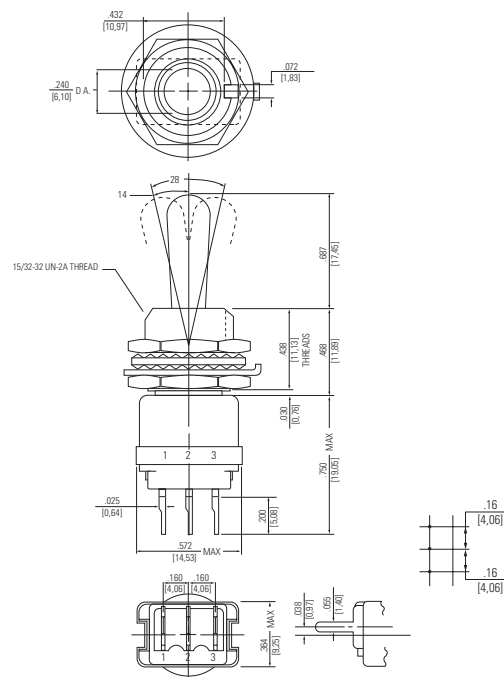
Series - 8866, 8867, 8868, 8869

MIL-DTL-8834 Miniature Positive Action Switches  
Printed Circuit Terminals

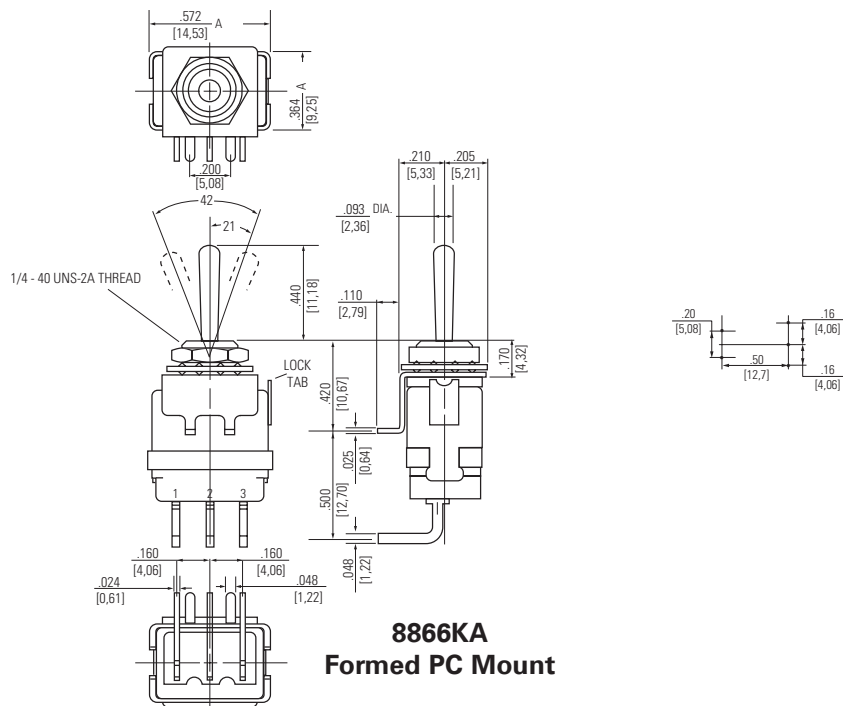
## MOUNTING DIMENSIONS - ONE POLE



**8866**  
Straight PC Mount



**8868**  
Straight PC Mount



**8866KA**  
Formed PC Mount

**STANDARD**  
0.00 = inches  
[0,0] = mm

### Terminal Identification

Mounting dimensions for reference only.

Non-functional terminals not supplied.



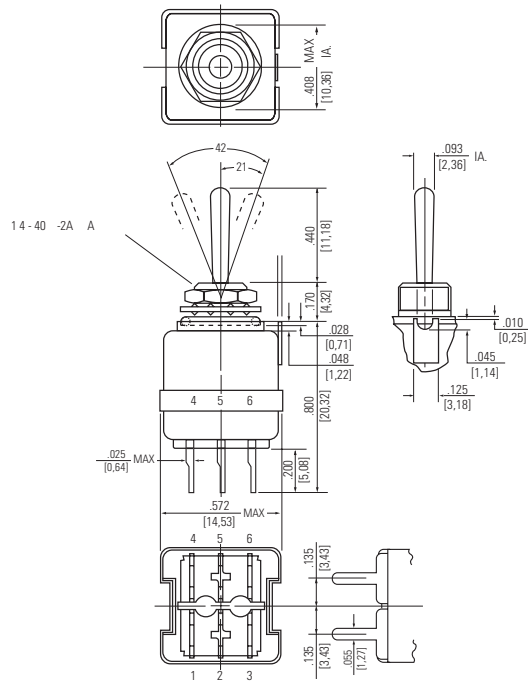
Series - 8866, 8867, 8868, 8869

# MINIATURE POSITIVE ACTION SWITCHES

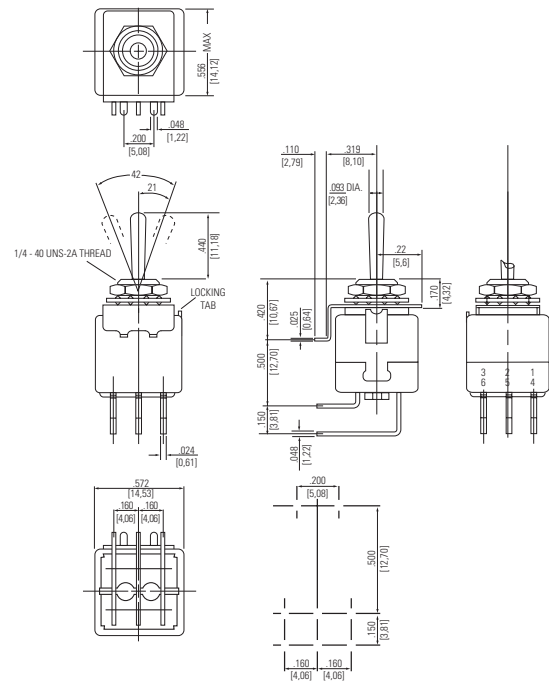
## MIL-DTL-8834 Miniature Positive Action Switches

### Printed Circuit Terminals

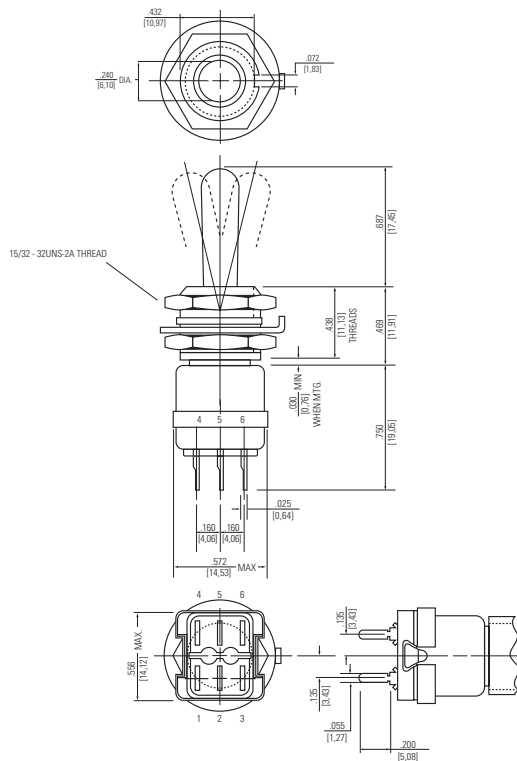
#### MOUNTING DIMENSIONS - TWO POLE



**8867**  
**Straight PC Mount**



**8867KA**  
**Formed PC Mount**



**8869**  
**Straight PC Mount**

**STANDARD**  
0.00 = inches  
[0,0] = mm

#### Terminal Identification

Mounting dimensions for reference only.

Non-functional terminals not supplied.



# Series - 8855, 8856

# MINIATURE POSITIVE ACTION SWITCHES MIL-DTL-8834 Miniature Positive Action Switches Lever Lock/Solder Lug Terminals

FEATURES			SPECIFICATIONS			CURRENT RATINGS																																						
<ul style="list-style-type: none"> <li>Sealed bushing</li> <li>Dry circuit (logic level loads) to power switching levels</li> <li>1 and 2 pole circuitry</li> <li>Non-teasible mechanism for all but center "ON" circuits</li> <li>High electrical/ mechanical reliability</li> <li>Two styles of lever lock Actuator</li> <li>Locking actuator for safety</li> <li>Wiping action contacts</li> <li>Positive make and break action</li> <li>Solder lug termination</li> </ul>	<ul style="list-style-type: none"> <li>Bushing seal or bonded seal per MIL-DTL-8834</li> <li>MS approved and QPL'd to MIL-DTL-8834</li> <li>Temperature Range: -67°F to +160°F (-55°C to +71°C)</li> <li>Life: 20,000 operations at rated load 40,000 operations mechanical life</li> <li>Solder lug terminal .050 [1,27] dia.hole</li> </ul>	<table border="1"> <thead> <tr> <th rowspan="2">No. of Poles</th> <th rowspan="2">Catalog Number</th> <th rowspan="2">Type of Operation</th> <th colspan="2">28 and 50VDC (Amperes per pole)</th> <th colspan="4">115VAC 60Hz and 400Hz (Amperes per pole)</th> </tr> <tr> <th>Resistive Load</th> <th>Inductive Load</th> <th colspan="2">Resistive Load</th> <th colspan="2">Inductive Load</th> </tr> <tr> <td></td> <td></td> <td></td> <th>28VDC</th> <th>28VDC</th> <th>60Hz</th> <th>400Hz</th> <th>60Hz</th> <th>400Hz</th> </tr> </thead> <tbody> <tr> <td>1</td> <td>8855</td> <td>Maintained and Momentary</td> <td>5</td> <td>1</td> <td>2</td> <td>3</td> <td>1</td> <td>2</td> </tr> <tr> <td>2</td> <td>8866</td> <td>Maintained and Momentary</td> <td>5</td> <td>1</td> <td>2</td> <td>3</td> <td>1</td> <td>2</td> </tr> </tbody> </table>	No. of Poles	Catalog Number	Type of Operation	28 and 50VDC (Amperes per pole)		115VAC 60Hz and 400Hz (Amperes per pole)				Resistive Load	Inductive Load	Resistive Load		Inductive Load					28VDC	28VDC	60Hz	400Hz	60Hz	400Hz	1	8855	Maintained and Momentary	5	1	2	3	1	2	2	8866	Maintained and Momentary	5	1	2	3	1	2
						No. of Poles	Catalog Number	Type of Operation	28 and 50VDC (Amperes per pole)		115VAC 60Hz and 400Hz (Amperes per pole)																																	
Resistive Load	Inductive Load	Resistive Load		Inductive Load																																								
			28VDC	28VDC	60Hz	400Hz	60Hz	400Hz																																				
1	8855	Maintained and Momentary	5	1	2	3	1	2																																				
2	8866	Maintained and Momentary	5	1	2	3	1	2																																				
Minimum Rating: 25 microamperes at 5 millivolts.																																												



## SELECTION TABLE

### CIRCUIT WITH LEVER IN . . .

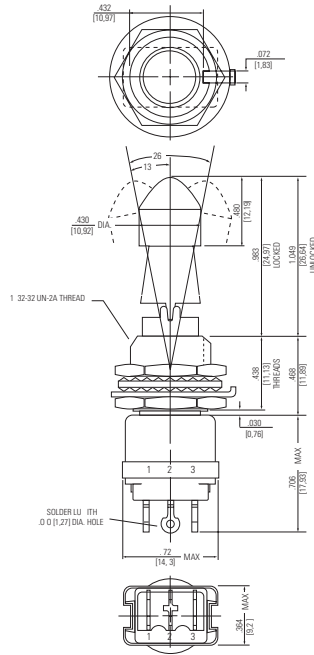
Up Position	Center Position	Down Position (Keyway)	Lever Lock® Bushing Style	MS Part Number	Catalog Number	MS® Part Number	Catalog® Number	MS Part Number	Catalog Number	MS Part® Number	Catalog® Number
<b>ONE POLE</b>											
ON →	← OFF →	← ON	A	MS21026-A211	8855K4	Feature Not Available in Single Pole Switches		MS21436-A211	8855K74	Feature Not Available in Single Pole Switches	
ON	← OFF →	ON	B	-B211	K5			-B211	K75		
ON	← OFF →	NONE	B	-B241	K19			-B241	K719		
ON	NONE	← OFF	C	-C221	K13			-C221	K713		
ON	NONE	← ON	C	-C231	K7			-C231	K77		
ON	← OFF →	ON	D	MS21026-D211	8855K10			MS21436-D211	8855K710		
ON →	NONE	← OFF	E	-E221	K14			-E221	K714		
ON →	NONE	← ON	E	-E231	K8			-E231	K78		
* ON	← OFF →	ON*	F	-F271	K15			-F271	K715		
ON	← OFF →	ON*	G	-G311	K16			-G311	K716		
* ON	← OFF →	ON*	H	MS21026-H271	8855K17			MS21436-H271	8855K717		
ON →	← OFF →	NONE	J	-J241	K9			-J241	K79		
NONE	← OFF →	ON*	K	-K281	K18			-K281	K718		
ON	← OFF →	ON*	K	-K311	K20			-K311	K720		
ON	← OFF →	ON*	L	-L311	K12			-L311	K712		
<b>TWO POLE</b>											
ON →	← OFF →	← ON	A	MS21027-A211	8856K4	MS21027-A711	8856K4X	MS21437-A211	8856K74	MS21437-A711	8856K74X
ON	← OFF →	ON	B	-B211	K5	-B711	K5X	-B211	K75	-B711	K75X
ON	← OFF →	NONE	B	-B241	K19	-B741	K19X	-B241	K719	-B741	K719X
ON	NONE	← OFF	C	-C221	K13	-C721	K13X	-C221	K713	-C721	K713X
ON	NONE	← ON	C	-C231	K7	-C731	K7X	-C231	K77	-C731	K77X
ON	← OFF →	ON	D	MS21027-D211	8856K10	MS21027-D711	8856K10X	MS21437-D211	8856K710	MS21437-D711	8856K710X
ON →	NONE	← OFF	E	-E221	K14	-E721	K14X	-E221	K714	-E721	K714X
ON →	NONE	← ON	E	-E231	K8	-E731	K8X	-E231	K78	-E731	K78X
* ON	← OFF →	ON*	F	-F371	K27	-F871	K27X	-F371	K727	-F871	K727X
ON	← OFF →	ON*	G	-G311	K16	-G811	K16X	-G311	K716	-G811	K716X
* ON	← OFF →	ON*	H	MS21027-H371	8856K29	MS21027-H871	8856K29X	MS21437-H371	8856K729	MS21437-H871	8856K729X
ON →	← OFF →	NONE	J	-J241	K9	-J741	K9X	-J241	K79	-J741	K79X
NONE	← OFF →	ON*	K	-K381	K28	-K881	K28X	-K381	K728	-K881	K728X
ON	← OFF →	ON*	K	-K311	K20	-K811	K20X	-K311	K720	-K811	K720X
ON	← OFF →	ON*	L	-L311	K12	-L811	K12X	-L311	K712	-L811	K712X
ON →	← ON →	← ON	A	MS21027-A331	8856K21⊕	MS21027-A831	8856K21X⊕	MS21437-A331	8856K721⊕	MS21437-A831	8856K721X⊕
ON	← ON →	ON	B	-B331	K30⊕	-B831	K30X⊕	-B331	K730⊕	-B831	K730X⊕
ON	ON	← ON	C	-C331	K31⊕	-C831	K31X⊕	-C331	K731⊕	-C831	K731X⊕
ON	← ON	ON	D	-D331	K32⊕	-D831	K32X⊕	-D331	K732⊕	-D831	K732X⊕
* ON	← ON →	ON*	F	-F341	K22⊕	-F841	K22X⊕	-F341	K722⊕	-F841	K722X⊕
* ON	← ON	ON*	H	MS21027-H341	8856K34⊕	MS21027-H841	8856K34X⊕	MS21437-H341	8856K734⊕	MS21437-H841	8856K734X⊕
NONE	ON →	ON*	K	-K321	K24⊕	-K821	K24X⊕	-K321	K724⊕	-K821	K724X⊕
ON	ON →	ON*	G	-G351	K35⊕	-G851	K35X⊕	-G351	K735⊕	-G851	K735X⊕
ON	← ON →	ON*	K	-K351	K23⊕	-K851	K23X⊕	-K351	K723⊕	-K851	K723X⊕
ON	← ON	ON	L	-L351	K36⊕	-L851	K36X⊕	-L351	K736⊕	-L851	K736X⊕

# MINIATURE POSITIVE ACTION SWITCHES

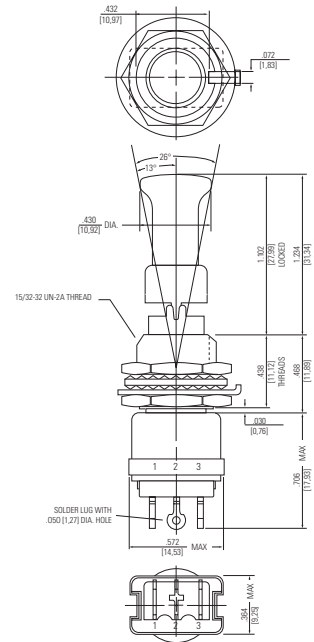
Series - 8855, 8856

MIL-DTL-8834 Miniature Positive Action Switches  
Lever Lock/Solder Lug Terminals

## MOUNTING DIMENSIONS - ONE POLE / 8855



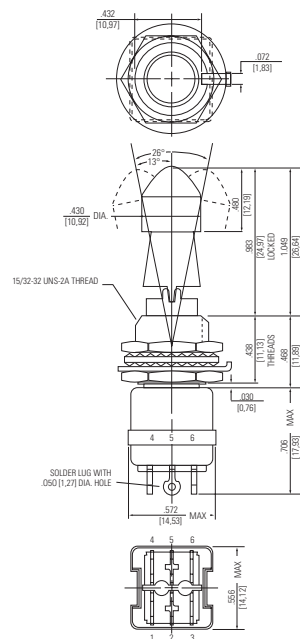
Standard Cap Style



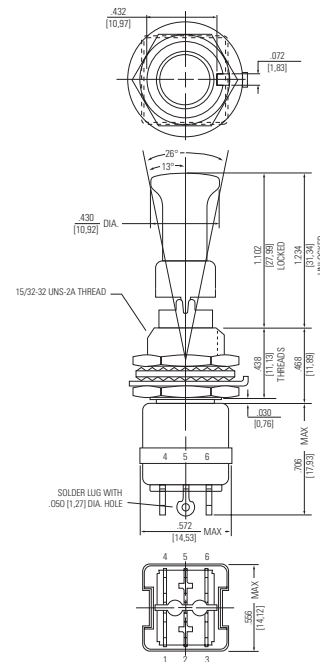
Mushroom Cap Style

Terminal Identification

## MOUNTING DIMENSIONS - TWO POLE / 8856



Standard Cap Style



Mushroom Cap Style

Terminal Identification

**STANDARD**  
0.00 = inches  
[0,0] = mm

Mounting dimensions for reference only.

Non-functional terminals not supplied.

Series - 8855, 8856

# MINIATURE POSITIVE ACTION SWITCHES

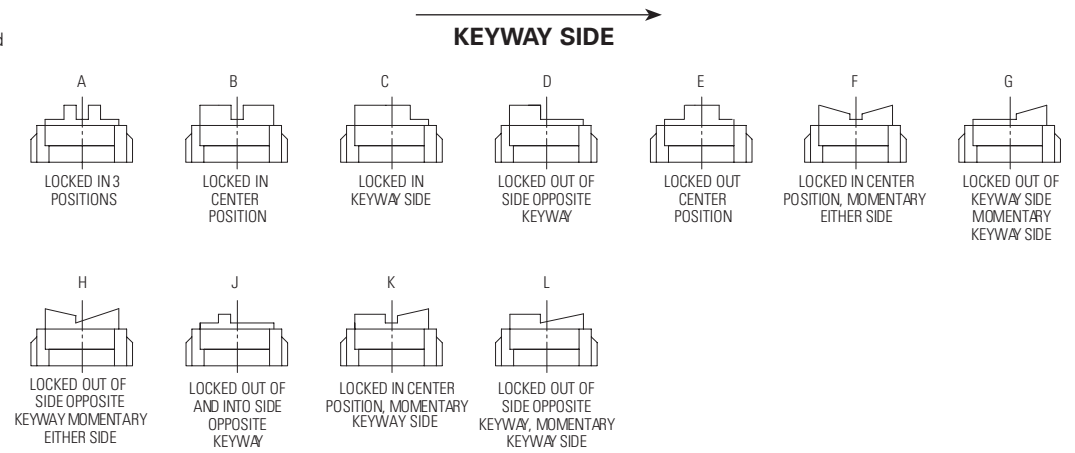
## MIL-DTL-8834 Miniature Positive Action Switches

### Lever Lock/Solder Lug Terminals

#### OPTIONS/ACCESSORIES

- Special mounting hardware
- Special marking
- Mounting hardware furnished assembled
- Special locking configurations
- Panel seal, Part Number 32-341
- Special circuits
- Special locking cap style
- Custom wire harnesses
- EMI/RFI capability on two pole

#### LEVER LOCK - BUSHING STYLES



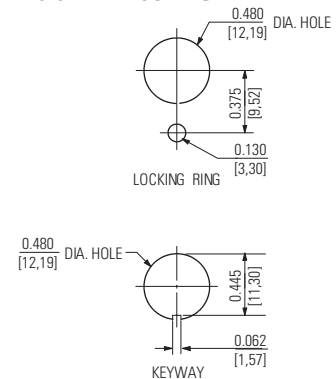
Figures A thru L do not represent details of construction. They schematically illustrate locking function.

#### OPTIONS/ACCESSORIES

- Special mounting hardware
- Special marking
- Mounting hardware furnished assembled
- Special locking configurations
- Panel seal, Part Number 32-341
- Special circuits
- Special locking cap style
- Custom wire harnesses
- EMI/RFI capability on two pole
- Gold plated contacts

#### PANEL CUTOUT DIMENSIONS

##### 15/32 DIA. BUSHING



# MINIATURE POSITIVE ACTION SWITCHES

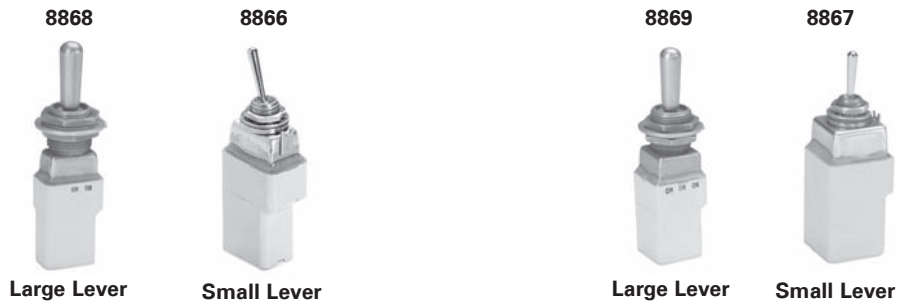
Series - 8855, 8856, 8866-69

MIL-DTL-8834 Miniature Positive Action Switches  
Toggle and Lever Lock/IWTS Terminals

FEATURES			SPECIFICATIONS			CURRENT RATINGS					
<ul style="list-style-type: none"> <li>Sealed bushing</li> <li>Dry circuit (logic level loads) to power switching levels</li> <li>1 and 2 pole circuitry</li> <li>Non-teasible mechanism for all but center "ON" circuit</li> <li>Small and large size bushings and Actuator</li> <li>Toggle and lever lock Actuator</li> <li>Wiping action contacts</li> <li>Positive make and break action</li> <li>Integrated Wire Termination System (IWTS)</li> </ul>	<ul style="list-style-type: none"> <li>Bushing seal or bonded seal per MIL-DTL-8834</li> <li>MS approved and QPL listed to MIL-DTL-8834</li> <li>Temperature Range: -67°F to +160°F (-55°C to +71°C)</li> <li>Life: 20,000 operations at rated load 40,000 operations mechanical life</li> <li>Bushing thread sizes: Small Toggle: ¼" - 40 thread Large Toggle and Lever Lock: 15/32" - 32 thread</li> <li>Accepts SAE-AS39029/1-101 Pins (pins not included)</li> </ul>	No. of Poles	Catalog Number	Type of Operation	28VDC (Amperes per pole)		115VAC 60Hz and 400Hz (Amperes per pole)				
					Resistive Load	Inductive Load	Resistive Load		Inductive Load		
		28VDC	28VDC	60Hz	400Hz	60Hz	400Hz				
1	8855 8866 8868	Maintained and Momentary	5	1	2	3	1	2			
2	8856 8867 8869	Maintained and Momentary	5	1	2	3	1	2			

Minimum Rating: 25 microamperes at 5 millivolts.

## SELECTION TABLE



CIRCUIT WITH LEVER IN . . .			ONE POLE				TWO POLE					
Up Position	Center Position	Down Position (Keyway)	MS Part Number	Catalog Number	MS Part Number	Catalog Number	MS Part Number	Catalog Number	MS Part Number	Catalog Number	MS Part Number	Catalog Number
				Large Lever		Small Lever	Large Lever	Small Lever	Large Lever	Small Lever		
ON	OFF	ON	MS21346-211	8868K51	MS24655-211W	8866K51	MS21347-211	8869K51	MS24656-211W	8867K51	MS21347-711	8869K51X
ON	NONE	OFF	-221	K57	-221W	K57	-221	K57	-221W	K57	-721	K57X
ON	NONE	ON	-231	K54	-231W	K54	-231	K54	-231W	K54	-731	K54X
ON	OFF	NONE	-241	K55	-241W	K55	-241	K55	-241W	K55	-741	K55X
*ON	OFF	ON*	MS21346-271	8868K52	-271W	8866K52	MS21347-271	8869K52	-271W	8867K52	MS21347-771	8869K52X
NONE	OFF	ON*	-281	K56	-281W	K56	-281	K56	-281W	K56	-781	K56X
ON	OFF	ON*	-311	K53	-311W	K53	-311	K53	-311W	K53	-811	K53X
NONE	ON	ON*	MS21346-321	K58 <sup>①</sup>	-321W	K58 <sup>①</sup>	MS21347-321	8869K58 <sup>①</sup>	-321W	8867K58 <sup>①</sup>	MS21347-821	8869K58X <sup>①</sup>
ON	ON	ON	-	-	-331W	-	-331	K59 <sup>①</sup>	-331W	K59 <sup>①</sup>	-831	K59X <sup>①</sup>
ON	ON	ON*	-	-	-351W	-	-351	K510 <sup>①</sup>	-351W	K510 <sup>①</sup>	-851	K510X <sup>①</sup>
*ON	ON	ON*	-	-	-341W	-	-341	K511 <sup>①</sup>	-341W	K511 <sup>①</sup>	-841	K511X <sup>①</sup>

**\* Momentary contact.**

① Dielectric per MIL-DTL-8834 except limited to 1250 volts. Delayed action of the switch toggle lever may cause circuit to close or open before snap action mechanism trips.

② Furnished with Bonded Seal feature. (Meets 15' head of water level requirement.)

Series - 8855, 8856, 8866-69

# MINIATURE POSITIVE ACTION SWITCHES

## MIL-DTL-8834 Miniature Positive Action Switches

### Toggle and Lever Lock/IWTS Terminals

### SELECTION TABLE



8855



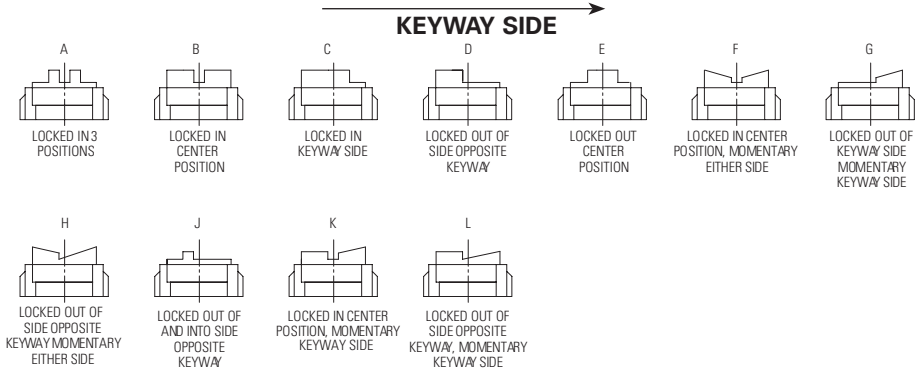
8856

CIRCUIT WITH LEVER IN . . .			ONE POLE	TWO POLE			
Up Position	Center Position	Down Position (Keyway)	Lever Lock Bushing Style	MS Part Number	Catalog Number	MS Part Number	Catalog Number
ON →	← OFF →	← ON	A	MS21346-A211	8855K54	MS21347-A211	8856K54
ON	← OFF →	ON	B	-B211	K55	-B211	K55
ON	← OFF →	NONE	B	-B241	K519	-B241	K519
ON	NONE	← OFF	C	-C221	K513	-C221	K513
ON	NONE	← ON	C	-C231	K57	-C231	K57
ON	← OFF →	ON	D	MS21346-D211	8855K510	MS21347-D211	8856K510
ON →	NONE	← OFF	E	-E221	K514	-E221	K514
ON →	NONE	← ON	E	-E231	K58	-E231	K58
* ON	← OFF →	ON*	F	-F271	K515	-F271	K515
ON	OFF →	ON*	G	-G311	K516	-G311	K516
* ON	← OFF →	ON*	H	MS21346-H271	8855K517	MS21347-H271	8856K517
ON →	← OFF →	NONE	J	-J241	K59	-J241	K59
NONE	OFF →	ON*	K	-K281	K518	-K281	K518
ON	← OFF →	ON*	K	-K311	K520	-K311	K520
ON	← OFF →	ON*	L	-L311	K512	-L311	L512

**\* Momentary contact.**  
 → Indicates direction against which lever is locked.  
 See page A75 for special circuit diagrams.

### OPTIONS/ACCESSORIES LEVER LOCK - BUSHING STYLES

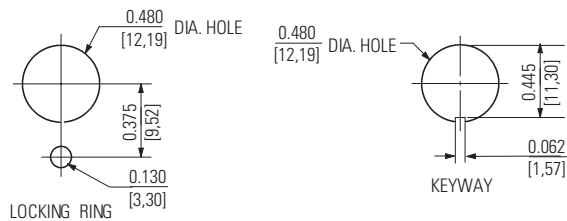
- Special mounting hardware
- Special marking
- Mounting hardware furnished assembled
- Panel seal, Part Number 32-341 (15/32" - 32 bushing only)
- Special circuits
- Special bushing and lever finish
- Special locking cap style on lever lock switches
- EMI/RFI capability on two pole (15/32" - 32 bushing only)



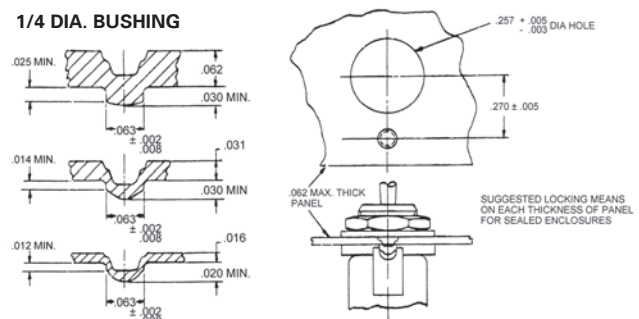
Figures A thru L do not represent details of construction. They schematically illustrate locking function.

### PANEL CUTOUT DIMENSIONS

#### 15/32 DIA. BUSHING



#### 1/4 DIA. BUSHING

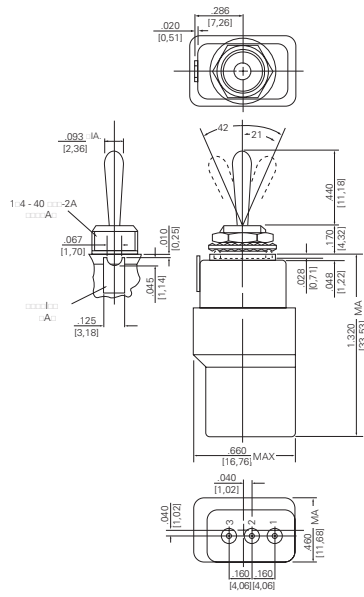


# MINIATURE POSITIVE ACTION SWITCHES

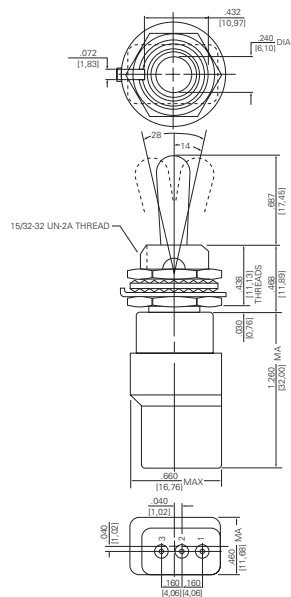
Series - 8855, 8856, 8866-69

MIL-DTL-8834 Miniature Positive Action Switches  
Toggle and Lever Lock/IWTS Terminals

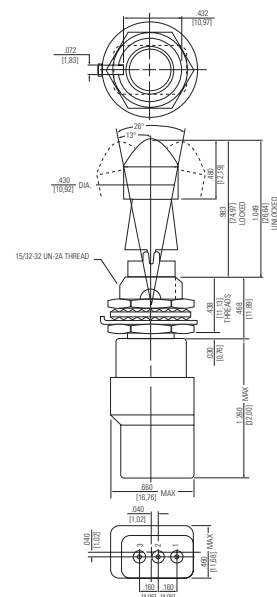
## MOUNTING DIMENSIONS - ONE POLE / 8855, 8866, 8868



Small Toggle

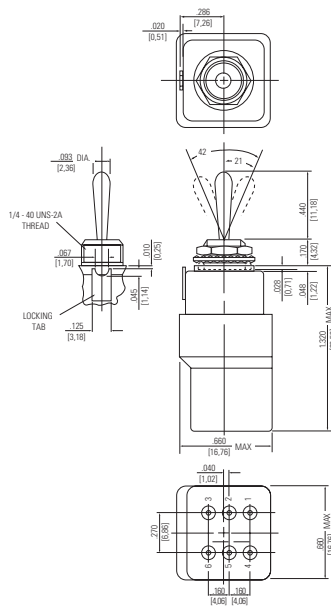


Large Toggle/ Terminal Identification

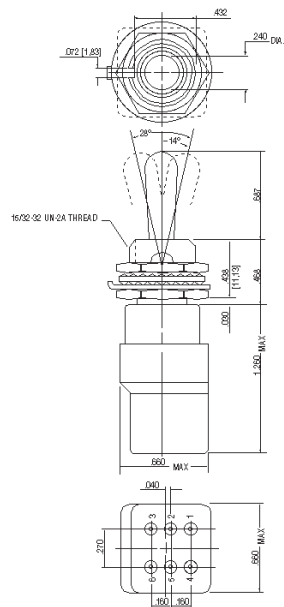


Lever Lock

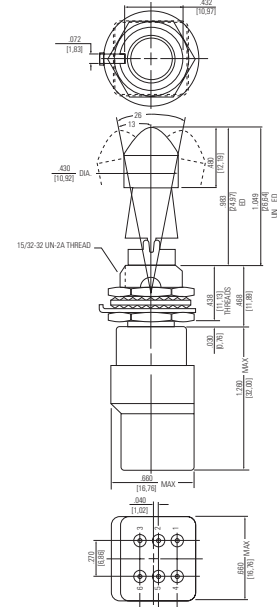
## MOUNTING DIMENSIONS - TWO POLE / 8856, 8867, 8869



Small Toggle



Large Toggle/ Terminal Identification



Lever Lock

**STANDARD**  
0.00 = inches  
[0,0] = mm

Mounting dimensions for reference only.



# Series - 8854

# MINIATURE POSITIVE ACTION SWITCHES 4-Pole Miniature Positive Action Switch Series

FEATURES	SPECIFICATIONS	CURRENT RATINGS								
		No. of Poles	Catalog Number	Type of Operation	28VDC (Amperes per pole)		115VAC 60Hz and 400Hz (Amperes per pole)			
					Resistive Load 28VDC	Inductive Load 28VDC	Resistive Load		Inductive Load	
				60Hz	400Hz	60Hz	400Hz			
<ul style="list-style-type: none"> <li>Made to MIL-DTL-8834 Requirements</li> <li>Sealed bushing</li> <li>Current rating versatility</li> <li>4 pole circuitry (Maintained &amp; Momentary variations)</li> <li>Non-teasible mechanism for all but center "on" position</li> <li>Dry circuit (logic loads loads) to power switching levels</li> <li>Wiping action contacts</li> <li>Positive make and break action</li> <li>11/16" Lever Length &amp; 15/32" bushing dia.</li> <li>Solder-lug terminals</li> </ul>	<ul style="list-style-type: none"> <li>Bushing seal per MIL-DTL-8834</li> <li>Meets 0.5" Head of Water</li> <li>Temperature Range: -22°F to +149°F -30°C to +65°C</li> <li>Electrical Life: 20,000 Operations at rated load</li> <li>Mechanical Life: 40,000 Operations</li> </ul>	4	8854	Maintained and Momentary	5	1	2	3	1	2
					Minimum Rating: 25 microamperes at 5 millivolts.					

## SELECTION TABLE

CIRCUIT WITH LEVER IN . . .			
Up Position	Center Position	Down Position (Keyway)	Catalog Number ②
<b>FOUR POLE</b>			
ON	OFF	ON	8854K1
ON	NONE	OFF	K7
ON	NONE	ON	K4
ON	OFF	NONE	K5
ON *	OFF	ON *	K2
NONE	OFF	ON *	K6
ON	OFF	ON *	K3
NONE	ON	ON *	K8 ①
ON	ON	ON	K9 ①
ON	ON	ON *	K10 ①
ON *	ON	ON *	K11 ①



**\* Momentary contact.**

① Dielectric per MIL-DTL-8834 except limited to 1250 Volts. Delayed action of the switch toggle lever may cause circuit to close or open before snap action mechanism trips.

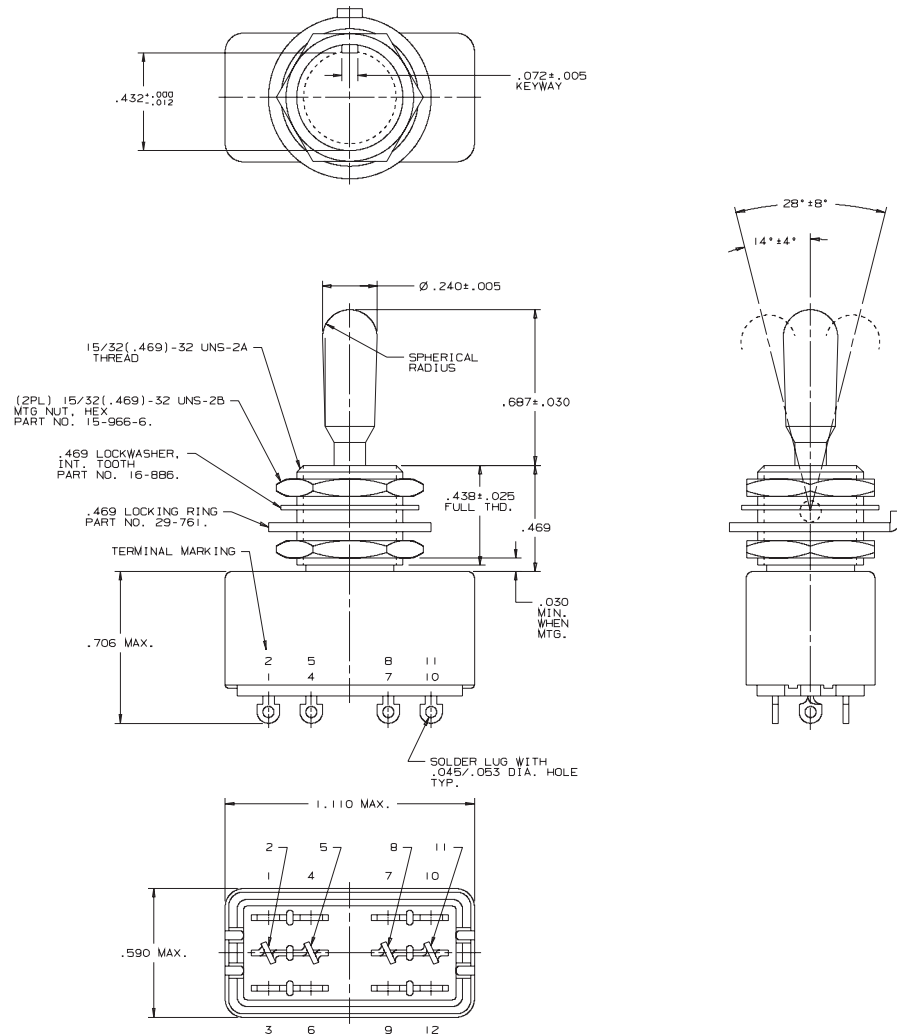
② Caution should be exercised during soldering and flux removal. See page A56 for details.

# MINIATURE POSITIVE ACTION SWITCHES

Series - 8854

4-Pole Miniature Positive Action Switch Series

## MOUNTING DIMENSIONS - FOUR POLE / 8854



### Terminal Identification

**STANDARD**  
 0.00 = inches  
 [0,0] = mm

Mounting dimensions for reference only.

Non-functional terminals not supplied.




# Series - 8879

# MINIATURE POSITIVE ACTION SWITCHES 4-Pole Miniature Positive Action Switch Series

FEATURES		SPECIFICATIONS		CURRENT RATINGS						
<ul style="list-style-type: none"> <li>Made to MIL-DTL-8834 Requirements</li> <li>Sealed bushing</li> <li>Current rating versatility</li> <li>4 pole circuitry (Maintained &amp; Momentary variations)</li> <li>Non-teasible mechanism for all but center "on" position</li> <li>Dry circuit (logic loads loads) to power switching levels</li> <li>Wiping action contacts</li> <li>Positive make and break action</li> <li>Bullet and Mushroom Lever lock Actuator styles</li> <li>12 Lever Locking configurations</li> <li>15/32" bushing Dia.</li> <li>Solder-lug terminals ± Ø</li> </ul>	<ul style="list-style-type: none"> <li>Bushing seal per MIL-DTL-8834</li> <li>Meets 0.5" Head of Water</li> <li>Temperature Range: -22°F to +149°F -30°C to +65°C</li> <li>Electrical Life: 20,000 Operations at rated load</li> <li>Mechanical Life: 40,000 Operations</li> </ul>	No. of Poles	Catalog Number	Type of Operation	28VDC (Amperes per pole)		115VAC 60Hz and 400Hz (Amperes per pole)			
					Resistive Load	Inductive Load	Resistive Load		Inductive Load	
					28VDC	28VDC	60Hz	400Hz	60Hz	400Hz
		4	8879	Maintained and Momentary	5	1	2	3	1	2

Minimum Rating: 25 microamperes at 5 millivolts or less.

## SELECTION TABLE

CIRCUIT WITH LEVER IN . . .			FOUR POLE			
Up Position	Center Position	Down Position (Keyway)	Mushroom Style Cap		Bullet Style Cap	
			Catalog <sup>Ⓢ</sup> Number	Locking Designation	Catalog <sup>Ⓢ</sup> Number	Locking Designation
ON	OFF	ON	8879K74	A	8879K4	A
ON	OFF	ON	K75	B	K5	B
ON	NONE	ON	K77	C	K7	C
ON	NONE	ON	K78	E	K8	E
ON	OFF	NONE	K79	J	K9	J
ON	OFF	ON	K710	D	K10	D
ON	OFF	ON *	K712	L	K12	L
ON	NONE	OFF	K713	C	K13	C
ON	NONE	OFF	K714	E	K14	E
ON	OFF	ON *	K716	G	K16	G
ON	OFF	NONE	K719	B	K19	B
ON	OFF	ON *	K720	K	K20	K
ON	ON	ON	K721 ⊕	A	K21 ⊕	A
ON *	ON	ON *	K722 ⊕	F	K22 ⊕	F
ON	ON	ON *	K723 ⊕	K	K23 ⊕	K
NONE	ON	ON *	K724 ⊕	K	K24 ⊕	K
ON *	OFF	ON *	K727	F	K27	F
NONE	OFF	ON *	K728	K	K28	K
ON *	OFF	ON *	K729	H	K29	H
ON	ON	ON	K730 ⊕	B	K30 ⊕	B
ON	ON	ON	K731 ⊕	C	K31 ⊕	C
ON	ON	ON	K732 ⊕	D	K32 ⊕	D
ON *	ON	ON *	K734 ⊕	H	K34 ⊕	H
ON	ON	ON *	K735 ⊕	G	K35 ⊕	G
ON	ON	ON *	K736 ⊕	L	K36 ⊕	L



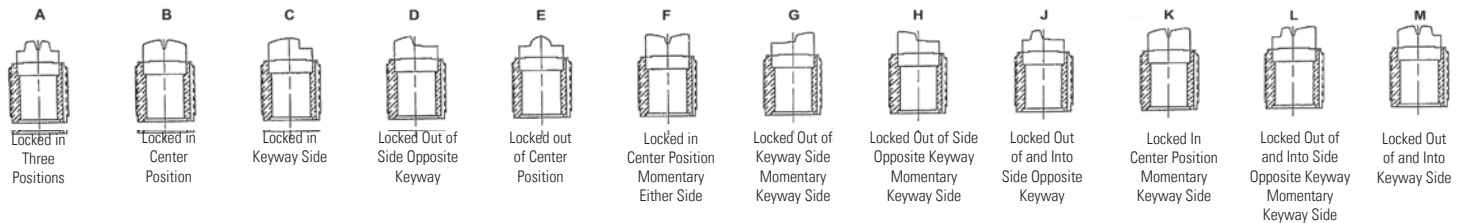
Mushroom Style Cap

\* Momentary contact.

⊕ Dielectric per MIL-DTL-8834 except limited to 1250 Volts. Delayed action of the switch toggle lever may cause circuit to close or open before snap action mechanism trips.

Ⓢ Caution should be exercised during soldering and flux removal. See page A56 for details.

### Locking Designations



Figures A thru M do not represent details of construction. They schematically illustrate locking function.

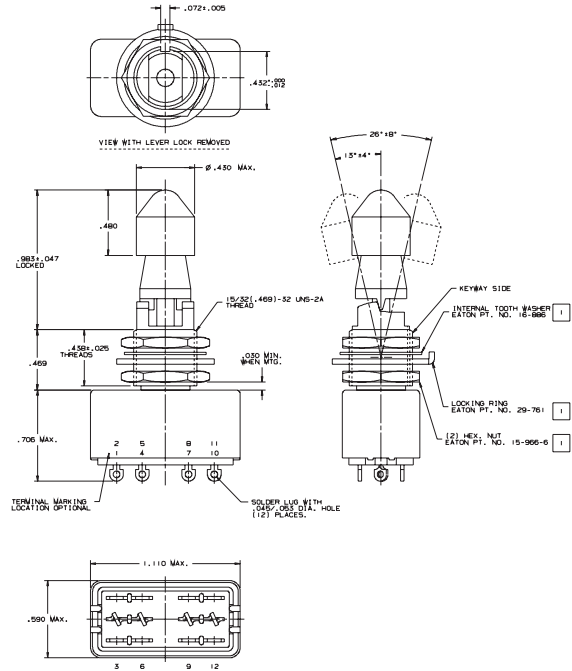
→ KEYWAY SIDE

# MINIATURE POSITIVE ACTION SWITCHES

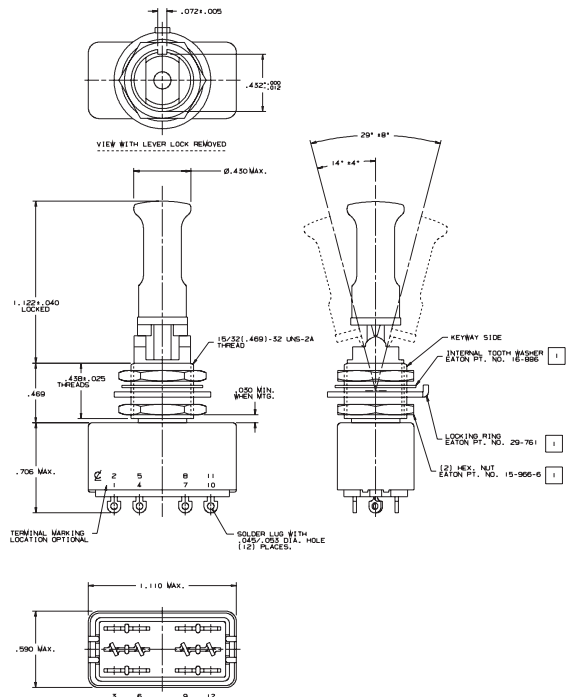
## Series - 8879

# 4-Pole Miniature Positive Switch Series

### MOUNTING DIMENSIONS - FOUR POLE / 8879



### MOUNTING DIMENSIONS - FOUR POLE / 8879



**STANDARD**  
 0.00 = inches  
 [0,0] = mm

### Terminal Identification

Mounting dimensions for reference only.

Non-functional terminals not supplied.

# Series T and TW

# MINIATURE INTEGRAL TOGGLE SWITCHES T 2150, TW 20,000, T 2660, TW 20,001

## Series T

SPECIFICATIONS			CURRENT RATINGS					
			28VDC			115VAC		
Catalog Number	Poles and Throw		Lamp Load (Amps)	Resistive Load (Amps)	Inductive Load (Amps)	Lamp Load (Amps)	Resistive Load (Amps)	Inductive Load (Amps) (.75 pf)
T1002	1 P.S.T.		5	20	15	3	10	10
T1003	1 P.D.T.		5	20	15	3	10	10
T2106	1 P.D.T.*		—	10	5	—	10	5
T2114	1 P.D.T.*		—	10	5	—	10	5
T2150	2 P.D.T.		—	3	1	—	3	1
T2153	2 P.D.T.		—	3	1	—	3	1
T3103	1 P.D.T.		—	5	3	—	5	3
T3113	1 P.D.T.		—	5	3	—	5	3

- Seal: Dust resistant
- Type of Operation: Maintained
- Electrical Life: 10,000 operations at 28VDC or 115VAC
- Mechanical Life: 20,000 operations
- Operating Temp. Range: -85°F to +160°F (-65°C to +71°C)

\*Two Circuit



T2114



T2153



T3113

## Series TW (Sealed)

SPECIFICATIONS			CURRENT RATINGS					
			28VDC			115VAC		
Catalog Number	MS Number <sup>①</sup>	Poles and Throw	Lamp Load (Amps)	Resistive Load (Amps)	Inductive Load (Amps)	Lamp Load (Amps)	Resistive Load (Amps)	Inductive Load (Amps) (.75 pf)
TW1002	—	1 P.S.T.	5	20	15	3	10	10
TW1003	—	1 P.D.T.	5	20	15	3	10	10
TW20000	—	2 P.D.T.	.5*	2	.5*	.1	.1	.1
TW20001	—	1 P.D.T.*	.5	2	.5	.5	.1	.1
TW20002	MS18151-1	1 P.D.T.	.5	1	.5	.1	.1	.1

- Seal: Dust proof (per MIL-S-83731)
- Type of Operation: Maintained
- Electrical Life: 20,000 operations at 28VDC or 115VAC
- Mechanical Life: 40,000 operations
- Operating Temp. Range: -40°F to +160°F (-40°C to +71°C)

① Qualified to MIL-DTL-83731

\*Two Circuit



TW20000



TW20002



TW20001



TW1003

NOTE: For specific drawing dimensions, contact factory at 1-800-955-7354.

# HIGH CAPACITY SWITCHES

## Series - 8780-82, 8790 & 8792

## High Capacity Flush Mounted Switches

FEATURES	SPECIFICATIONS	CURRENT RATINGS								
<ul style="list-style-type: none"> <li>• 1 and 3 pole circuitry</li> <li>• Flush mounted (5 holes required)</li> <li>• High capacity ratings</li> <li>• Terminal stud termination</li> </ul>	<ul style="list-style-type: none"> <li>• Designed and built to AN3230 and E1663 specifications</li> <li>• Current ratings up to 175 Amp on AN3230 type and 80 Amp on E1663 type</li> <li>• Temperature Range: -67°F to +160°F (-55°C to +71°C)</li> <li>• Life: 10,000 operations at rated load 20,000 operations mechanical life</li> <li>• Power studs have .250" [6,35] -20 threads</li> </ul>	No. of Poles	Catalog Number	Type of Operation	28VDC			115VAC 60 or 400Hz		
					Lamp Load	Resistive Load	Inductive Load	Lamp Load	Resistive Load	Inductive Load
		1	8780K11 8781K11 8782K11	Maintained	35	175	45	11	55	45
		3	8790K4 8792K3	Maintained	12	80	30	75	30	20

### SELECTION TABLE

#### CIRCUIT WITH LEVER IN . . .



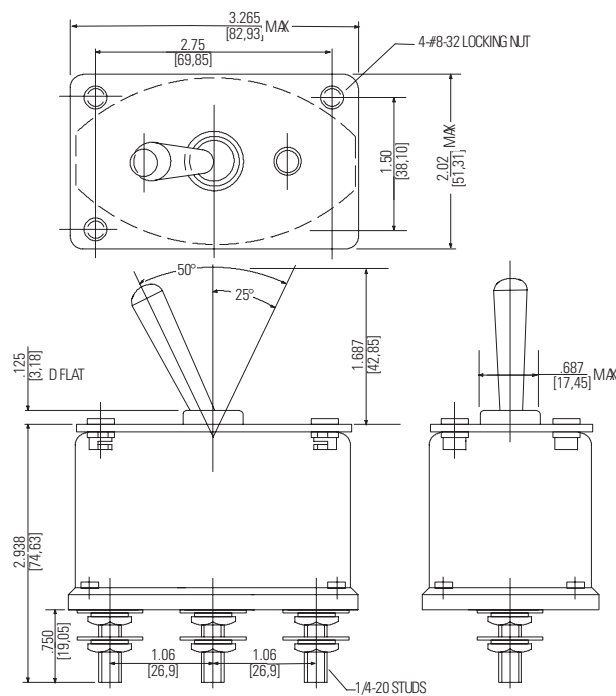
Up Position	Center Position	Down Position (Keyway)	①	①	①
			MS or Government Drawing Number	AN Part Number	Catalog Number
<b>One Pole - High Capacity</b>					
ON	OFF	ON	—	AN3230-1	8780K11
ON	NONE	OFF	—	-2	8781K11
ON	NONE	ON	—	-3	8782K11
<b>Three Pole - High Capacity</b>					
ON	OFF	ON	E1663-1	—	8790K4
ON	NONE	ON	-3	—	8792K3

① Reference only cancelled government numbers

Series - 8780, 8790

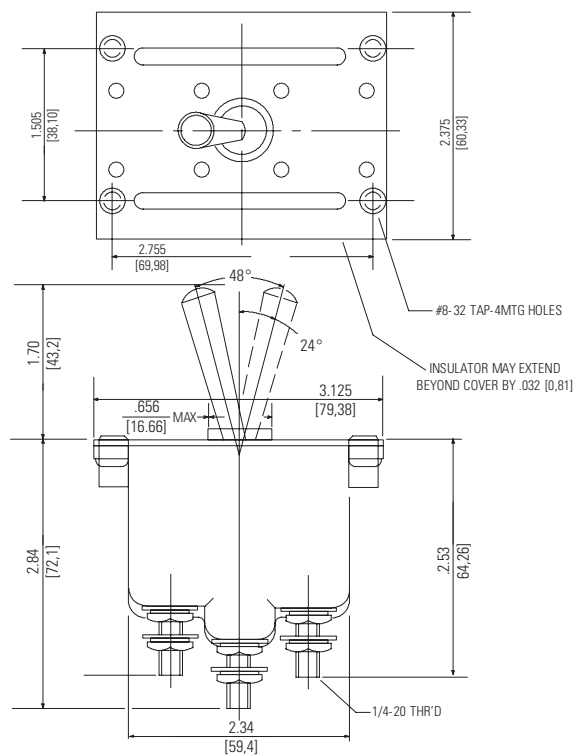
HIGH CAPACITY SWITCHES  
High Capacity Flush Mounted Switches

**MOUNTING DIMENSIONS - ONE POLE / 8780, 8781, 8782**



**Terminal Identification**

**MOUNTING DIMENSIONS - THREE POLE / 8790, 8792**



**Terminal Identification**

**STANDARD**  
0.00 = inches  
[0,0] = mm

Mounting dimensions for reference only.

Non-functional terminals not supplied.

# NOMINAL RATINGS AND CIRCUIT DIAGRAMS

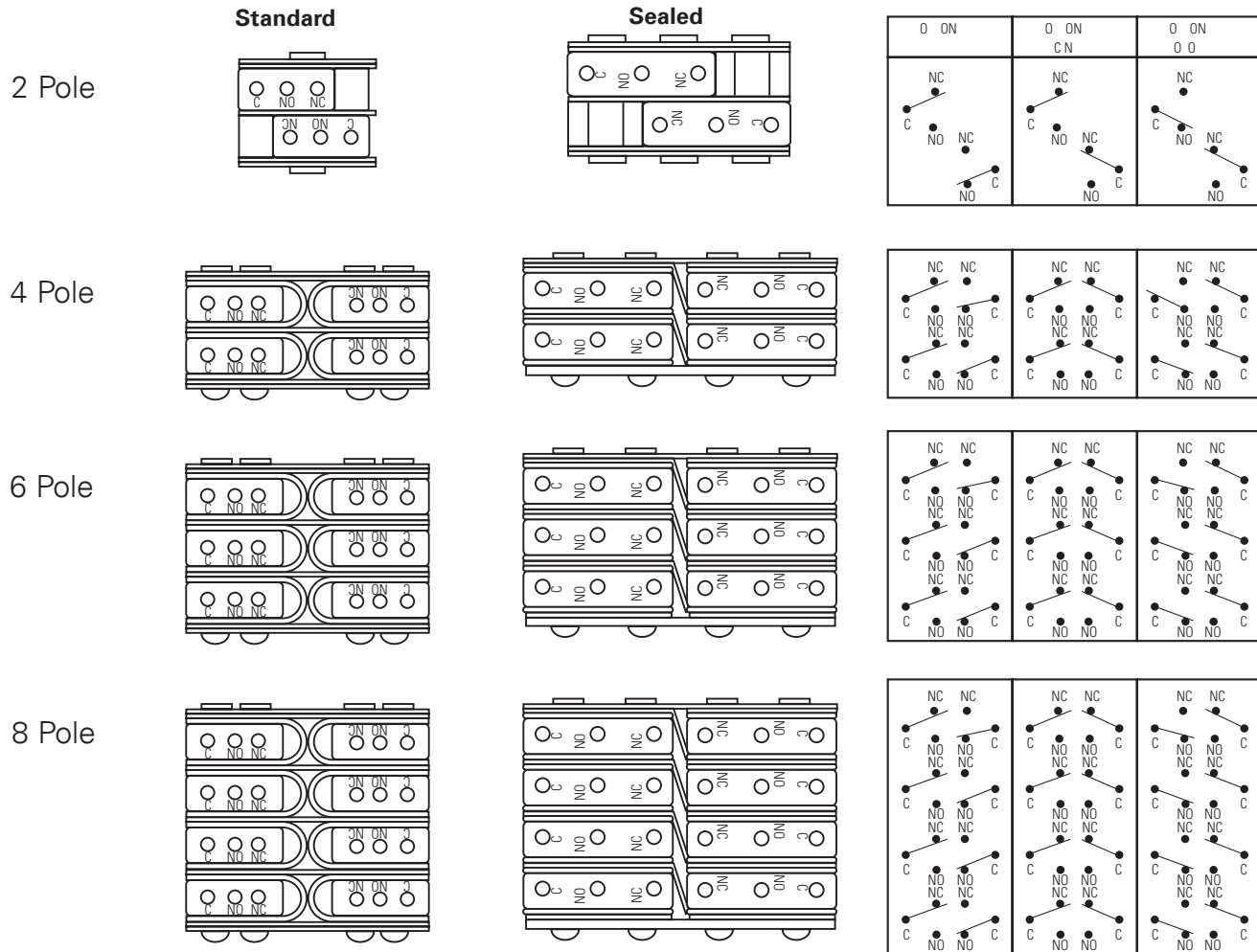
## UL AND CSA NOMINAL RATINGS

Catalog Number	Amperes		Maximum Horsepower		
			1 Phase		3 Phase
	125VAC	250VAC	125VAC	250VAC	125/250VAC
8520K1, K4, K9	18	9	1/4	1/2	-
8521K1, K4, K9	18	9	1/2	1	-
8522K1, K4, K9	18	9	1/2	1	1
8526K2, K3, K5	18	9	-	-	-
8527K2, K3, K5	18	9	-	-	-
8528K2, K3, K5	18	9	-	-	-
8530K1-13, K31-313, K91-913	18	9	1/4	1/2	-
8531K1-16, K31-316, K91-916	18	9	1/2	1	-
8532K1-17, K31-317, K91-917	18	9	1/2	1	1
8533K1-13, K31-313, K91-913	18	9	1/4	1/2	-
8534K1-13, K31-316, K91-916	18	9	1/2	1	-
8535K1-17, K31-317, K91-917	18	9	1/2	1	1
8536K1-13, K31-313, K91-913	18	9	1/4	1/2	-
8537K1-16, K31-316, K91-916	18	9	1/2	1	-
8538K1-17, K31-317, K91-917	18	9	1/2	1	1

## BASIC SWITCH CIRCUITS

## BACK CONFIGURATIONS

## SCHEMATIC DIAGRAMS








# TOGGLE SWITCHES - ENVIRONMENTALLY SEALED SWITCHES

## Standard Circuit Arrangements

## Industrial, Econoswitch and MIL-DTL-3950 Series

CIRCUIT WITH LEVER IN . . .

Number of Poles and Throws	Switch Circuit <sup>Ⓞ</sup>	Up Position 	Center Position 	Down Position (Keyway) 
1PST	ON-NONE-OFF		NONE	OFF
	ON-OFF-NONE		OFF	NONE
	ON-OFF*-NONE		OFF(MOM.)	NONE
	NONE-OFF-ON*	NONE	OFF	
	ON-NONE-OFF*		NONE	OFF(MOM.)
OFF-NONE-ON*	OFF	NONE		
1PDT	ON-OFF-ON			
	ON-NONE-ON			
	ON-NONE-ON*			
	*ON-OFF-ON*			
	ON-OFF-ON*			
	*ON-ON-NONE			
	ON-ON-NONE			
2PST	ON-NONE-OFF		NONE	OFF
	ON-OFF-NONE		OFF	NONE
	ON-OFF*-NONE		OFF(MOM.)	NONE
	NONE-OFF-ON*	NONE	OFF	
	ON-NONE-OFF*		NONE	OFF(MOM.)
	OFF-NONE-ON*	OFF	NONE	
2PDT	ON-OFF-ON			
	ON-NONE-ON		NONE	
	ON-NONE-ON*		NONE	
	*ON-OFF-ON*			
	ON-OFF-ON*			
	*ON-ON-NONE			NONE
	ON-ON-NONE			NONE
4PST	ON-NONE-OFF		NONE	OFF
	ON-OFF-NONE		OFF	NONE
	ON-OFF*-NONE		OFF(MOM.)	NONE
	NONE-OFF-ON*	NONE	OFF	
	ON-NONE-OFF*		NONE	OFF(MOM.)
	OFF-NONE-ON*	OFF	NONE	


















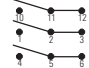

\* Momentary Contact

# TOGGLE SWITCHES - ENVIRONMENTALLY SEALED SWITCHES

## Standard Circuit Arrangements

## Industrial, Econoswitch and MIL-DTL-3950 Series

### CIRCUIT WITH LEVER IN . . .

Number of Poles and Throws	Switch Circuit <sup>①</sup>	Up Position 	Center Position 	Down Position (Keyway) 
4PDT	ON-OFF-ON		OFF	
	ON-NONE-ON		NONE	
	ON-NONE-ON*		NONE	
	*ON-OFF-ON*		OFF	
	ON-OFF-ON*		OFF	
	*ON-ON-NONE			NONE
	ON-ON-NONE			NONE
				

① See page A75 for ON-ON-ON and special circuits.

\* Momentary contact.

# TOGGLE SWITCHES - ENVIRONMENTALLY SEALED SWITCHES

## Special ON-ON-ON Circuit Arrangements for Two and Four Pole Switches

### Industrial, Econoswitch and MIL-DTL-3950 Series

Circuit with Lever in . . .				
Number of Poles	Up Position 	Center Position 	Down Position (Keyway) 	Catalog Part Number
<b>TWO POLE</b>				
2	Ma nta ne 	Ma nta ne 	Ma nta ne 	8501K14, 8504K43-K55, 8511K14 8531K14, 8531K914, 8531K314 8534K14, 8534K914, 8534K314 8537K14, 8537K914, 8537K314, 8567K14
2	Ma nta ne 	Ma nta ne 	Mome ntary 	8501K15, 8504K56-K61, 8511K15 8531K15, 8531K915, 8531K315 8534K15, 8534K915, 8534K315 8537K15, 8537K915, 8537K315, 8567K15
2	Mome ntary 	Ma nta ne 	Mome ntary 	8501K16, 8504K62-K64, 8511K16 8531K16, 8531K916, 8531K316 8534K16, 8534K916, 8534K316 8537K16, 8537K916, 8537K316, 8567K16
2	Ma nta ne 	Ma nta ne 	Ma nta ne 	8501K17, 8504K65-K77, 8511K17 8531K17, 8531K917, 8531K317 8567K17, 8571K17-16, 8571K17-20 8574K65-16 - 8574K77-16 8574K65-20 - 8574K77-20
2	Ma nta ne 	Ma nta ne 	Mome ntary 	8501K18, 8504K78-K83, 8511K18 8531K18, 8531K918, 8531K318 8567K18, 8571K18-16, 8571K18-20 8574K78-16 - 8574K83-16 8574K78-20 - 8574K83-20
2	Mome ntary 	Ma nta ne 	Mome ntary 	8501K19, 8504K84-K87, 8511K19 8531K19, 8531K919, 8531K319 8567K19, 8571K19-16, 8571K19-20 8574K84-16, 8574K86-16 8574K84-20, 8574K86-20
<b>FOUR POLE</b>				
4	Ma nta ne 	Ma nta ne 	Ma nta ne 	8502K15, 8512K15 8532K15, 8532K915, 8532K315 8535K15, 8535K915, 8535K315 8538K15, 8538K915, 8538K315 8568K15 8575K43-16 - 8575K55-16 8575K43-20 - 8575K55-20
4	Ma nta ne 	Ma nta ne 	Mome ntary 	8502K16, 8512K16 8532K16, 8532K916, 8532K316 8535K16, 8535K916, 8535K316 8538K16, 8538K916, 8538K316 8568K16 8575K56-16 - 8575K61-16 8575K56-20 - 8575K61-20
4	Mome ntary 	Ma nta ne 	Mome ntary 	8502K17, 8512K17 8532K17, 8532K917, 8532K317 8535K17, 8535K917, 8535K317 8538K17, 8538K917, 8538K317 8568K17 8575K62-16 - 8575K64-16 8575K62-20 - 8575K64-20

# TOGGLE SWITCHES - ENVIRONMENTALLY SEALED SWITCHES

## Special Circuit Arrangements for Two and Four Pole Switches

### Industrial, Econoswitch and MIL-DTL-3950 Series

#### SPECIAL "ON-ON-ON" CIRCUIT ARRANGEMENTS

"Three Independent" ON-ON-ON Circuit Diagram  
 For switch modified with "Three Independent" ON-ON-ON Special Circuit.  
 External Jumpers are required. User to connect wiring per instructions given below.

Connection Points	Single Pole <sup>①</sup>	Double Pole <sup>②</sup>
Connect Common to Terminals	2	2 and 11
Connect Circuit "A" to Terminals	6	6 and 9
Connect Circuit "B" to Terminals	4	4 and 7
Connect Circuit "C" to Terminals	1	1 and 10

Circuit Poles	No. of Poles	"A" Up Position	"B" Center Position	"C" Down Position (Keyway)
Circuit for Single Pole (Jumper between Terminals #3 & #5)	1			
Circuit for Double Pole (Jumpers between Terminals #3 & #5 #8 & #12)	2			

<sup>①</sup> Requires using a two pole switch to accomplish single pole independent "on-on-on" circuit.  
<sup>②</sup> Requires using a four pole switch to accomplish a double pole independent "on-on-on" circuit.  
 Note: Basic circuit same as offered with part numbers 8501K14, 8501K15 or 8501K16 for two pole devices and part numbers 8502K15, 8502K16 or 8502K17 for four pole devices.

#### SPECIAL CIRCUIT (OFF-ON-ON)

Circuit	No. of Poles	OFF Up Position	ON Center Maintained Position	ON Down Position (Keyway)	Circuit Being Made . . .	Terminal Numbers Making the Circuit
Note: Requires two poles to achieve a single pole device or four poles to achieve a double pole device.						
Circuit for Single Pole (Jumper between terminals #2 & #4). Common terminal #5. Non-functional terminal #6	2	(OFF) 	(ON) 	(ON) 	UP (OFF) CENTER (ON) DOWN (ON)	— #3 & #5 #1 & #5
Circuit for Double Pole (Jumpers between terminals #2 & #4 and #7 & #11). Common terminals #5 & #8. Non-functional terminals #6	4	(OFF) 	(ON) 	(ON) 	UP (OFF) CENTER (ON) DOWN (ON)	— #3 & #5 #8 & #12 #1 & #5 #8 & #10

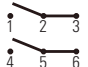
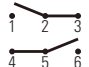

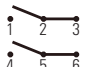
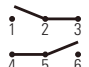

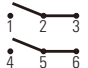
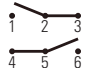
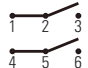
#### SPECIAL PROJECTOR CIRCUIT (2 ON- 1 ON - OFF)

Circuit	No. of Poles	ON Up Position	ON Center Maintained Position	OFF Down Position (Keyway)	Circuit Being Made . . .	Terminal Numbers Making the Circuit
Note: Requires two poles to achieve a single pole device or four poles to achieve a double pole device.						
Circuit for Single Pole (Jumper between terminals #2 & #5). Common terminal #5. Non-functional terminal #1 & #4.	2	(TWO ON) 	(ONE ON) 	(OFF) 	UP (ON) CENTER (ON) DOWN (OFF)	#2 & #3 #5 & #6 #5 & #3 —
Circuit for Double Pole (Jumpers between terminals #2 & #5 and #8 & #11). Common terminals #5 & #8. Non-functional terminals #1, #4 #7 & #10.	4	(FO ON) 	(TWO ON) 	(OFF) 	UP (ON) CENTER (ON) DOWN (OFF)	#5 & #3 #5 & #6 #8 & #12 #8 & #9 #3 & #5 #8 & #12 —

# SPECIAL ON-ON-ON CIRCUITS FOR Miniature POSITIVE ACTION SWITCHES

## Circuit Arrangements

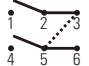
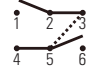

### CIRCUIT WITH LEVER IN . . .

Number of Poles	Up Position	Center Position	Down Position (Keyway)	Catalog Part Number
<b>Two Pole</b>				
2	Maintained 	Maintained 	Maintained 	8856K21, K30, K31, K32 8856K21X, K30X, K31X, K32X 8856K721, K730, K731, K732 8867K9, 8867K69, 8867KA69 8869K9, 8869K9X, 8869K69, 8869K69X
2	Maintained 	Maintained 	Momentary 	8856K23, K35, K36 8856K23X, K35X, K36X 8856K723, K735, K736 8867K10, 8867K610, 8867KA610 8869K10, 8869K10X, 8869K610, 8869K610X
2	Momentary 	Maintained 	Momentary 	8856K22, K34 8856K22X, K34X 8856K722, K734 8867K11, 8867K611, 8867KA611 8869K11, 8869K11X, 8869K611, 8869K611X

### SPECIAL "ON-ON-ON" CIRCUIT ARRANGEMENTS

"Three Independent " ON-ON-ON Circuit Diagram  
 For switch modified with "Three Independent" ON-ON-ON Special Circuit.  
 External Jumpers are required. User to connect wiring per instructions given below.

Connection Points	Single Pole <sup>ⓐ</sup>
Connect Common to Terminals	2
Connect Circuit "A" to Terminals	6
Connect Circuit "B" to Terminals	4
Connect Circuit "C" to Terminals	1

Circuit Poles	No. of Poles	Up Position	Center Maintained Position	Down Position (Keyway)
Circuit for Single Pole (Jumper between Terminals #3 & #5)	1			

<sup>ⓐ</sup>Requires using a two pole switch to accomplish single pole Independent "ON-ON-ON" circuit.

# NOTES



# NOTES



## SECTION B

### Pushbutton Switches Index

#### Index

B-1

	<p><b>Standard Pushbutton Switches</b></p> <ul style="list-style-type: none"> <li>• Momentary and alternate action</li> <li>• Ratings up to 40 amperes</li> <li>• One and two pole configurations</li> <li>• Single hole mounting</li> <li>• Decorative Actuator in various colors</li> <li>• Two moisture proof series</li> </ul>	<p><b>B2 - B14</b></p>
	<p><b>Uniform Panel Appearance (UPA) Pushbutton Switches</b></p> <ul style="list-style-type: none"> <li>• Ratings up to 10 amperes</li> <li>• One, two and four pole configurations</li> <li>• Solder lug or quick connect terminals</li> <li>• Momentary snap or push-pull action</li> <li>• Single hole mounting</li> <li>• RFI version available</li> </ul>	<p><b>B15 - B17</b></p>
	<p><b>Sub-Miniature Pushbutton Switches</b></p> <ul style="list-style-type: none"> <li>• Snap action</li> <li>• MIL approved</li> <li>• Sealed or non-sealed</li> <li>• Low operating force</li> </ul>	<p><b>B18 - B19</b></p>
	<p><b>Illuminated Switches</b></p> <ul style="list-style-type: none"> <li>• Momentary or alternate action</li> <li>• Ratings up to 2 amperes</li> <li>• Two pole and two circuit configurations</li> <li>• Single hole mounting</li> <li>• Most designed to use MS25237 type lamps</li> </ul>	<p><b>B20</b></p>
	<p><b>Hand Controls with Pushbutton Switches</b></p> <ul style="list-style-type: none"> <li>• Control stick mounting</li> <li>• Non "freeze" durable phenolic handle</li> <li>• Heavy duty trigger switch</li> <li>• Available with cord for remote operation</li> <li>• Available with auxiliary switch</li> </ul>	<p><b>B21 - B23</b></p>
	<p><b>Special Designed Pushbutton Switches</b></p> <ul style="list-style-type: none"> <li>• Foot operated microphone switches</li> <li>• Mechanically actuated switches with lock feature</li> <li>• Switching mechanism sealed against dust and moisture</li> <li>• Rugged construction with flush mounting design</li> </ul>	<p><b>B24 - B25</b></p>

*\*Many part numbers listed in this catalog are standard products and may be available in distributor inventory. Contact Labinal Power Systems Customer Service at 800-955-7354 for a list of authorized distributors.*

# PUSHBUTTON SWITCHES

## Series - D200 Heavy Duty

# Momentary Snap Action Pushbutton Switches

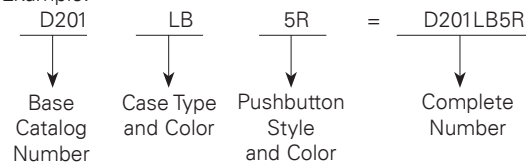
FEATURES	SPECIFICATIONS	CURRENT RATINGS						
		Part Number	Number of Poles	Operation	28VDC		115VAC	
					Resistive Load	Inductive Load	Resistive Load	Inductive Load <sup>①</sup>
<ul style="list-style-type: none"> <li>High current carrying capability</li> <li>Heavy duty pushbutton</li> <li>Snap action mechanism</li> <li>Minimal arcing and contact wear</li> <li>Fast double break action</li> <li>Variety of case styles and colors</li> <li>Protective shields can be ordered separately to prevent accidental actuation on "W" case model</li> <li>Black pushbutton supplied as standard</li> </ul>	<ul style="list-style-type: none"> <li>Operating force: 2.5 lbs ± .5 lb (11N ± 2.2N) D201 thru D205 4 lbs. ± 1 lb. (1779N ± 4.45N) D207</li> <li>Electrical life: 25,000 operations minimum at rated load</li> <li>Total plunger travel (Approx.): 0.085 IN. (2.16mm), 0.438 IN. (11.12mm) with "L" Adapter</li> <li>Operating temperature: -40°F to +160°F (-40°C to +71°C)</li> <li>Momentary snap action</li> <li>Terminals: End Screw (Center Terminal Solder D207)</li> <li>Weight: "W" case 0.040 lb. (18g) "P" case 0.050 lb (23g) "L" case 0.045/ 0.055 lb (20g/25g)</li> </ul>	D201	1	Momentary	35	20	35	20
		D202	1	Momentary	35	20	35	20
		D203	1	Momentary	35	20	35	20
		D204	1	Momentary	15	—	15	—
		D205	1	Momentary	15	—	15	—
		D207	1	Momentary	10 <sup>②</sup>	—	10 <sup>②</sup>	—

① p.f.=.75  
② 3 amps max. through center terminal.

### WHEN ORDERING SPECIFY...


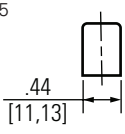

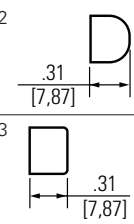

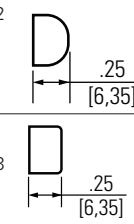
• **Catalog number of base switch** - followed by suffix letters and numbers for type and color of case and pushbutton

Order Example:



### SELECTION TABLE

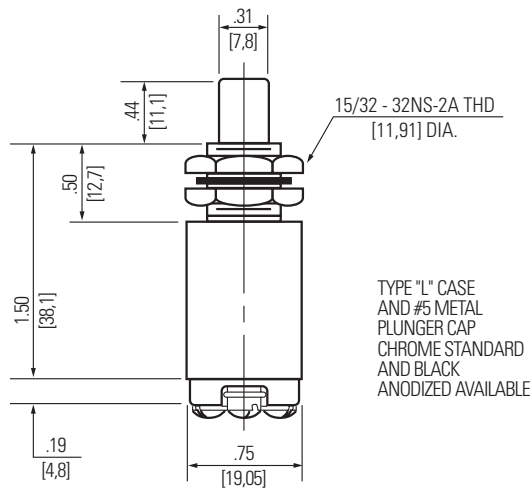
#### SERIES AND TYPE

D200 Series	Base Catalog Number	Circuit	Case and Type and Color	Code Suffix	Pushbutton Style and Color		Code Suffix
					Button Style	Color	
	D201	1 P.S.T.-NO Dbl. Brk.	Type "L"		 .44 [11,13] 5/16 Diameter Typical	Chrome	5
	D202	1 P.S.T.-NC Dbl. Brk.	Black	LB		Black	5B
	D203	1 P.D.T.-2 Ckt	Clear	L			
	D204	S.P.-NO 3 Terminal	Type "P"		 .31 [7,87] .31 [7,87] 3/8 Diameter Typical	Red	2R
	D205	S.P.-NC 3 Terminal	Black	PB		White	2W
			Clear	P		Black	2
	D207	S.P.-NO 4 Terminal	Type "W"		 .25 [6,35] .25 [6,35] 3/8 Diameter Typical	Red	3R
			Black	WB		White	2W
			Clear	W		Black	2

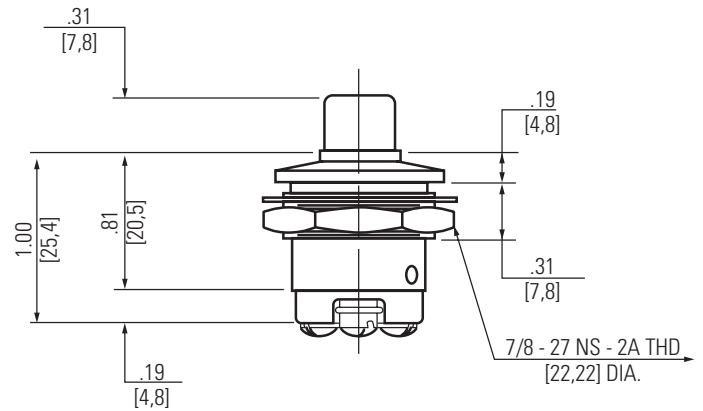
## Series - D200 Heavy Duty

## PUSHBUTTON SWITCHES Momentary Snap Action Pushbutton Switches

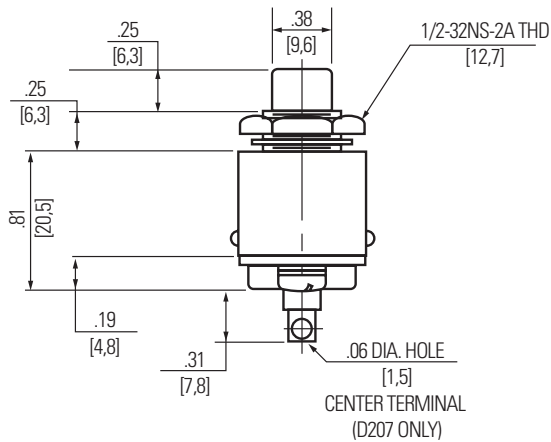
### APPROXIMATE DIMENSIONS - D200 "L" CASE



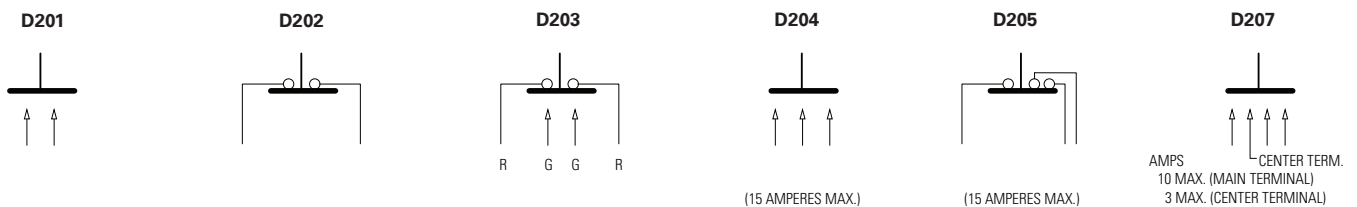
### APPROXIMATE DIMENSIONS - D200 "P" CASE



### APPROXIMATE DIMENSIONS - D200 "W" CASE



### BASIC SWITCH AND SCHEMATIC DIAGRAM



**STANDARD**  
0.00 = inches  
[0,0] = mm

Dimensions for reference only.

# PUSHBUTTON SWITCHES

## Series - H2200 Double Pole

## Momentary Snap Action Pushbutton Switches

### FEATURES

- Double pole
- Optional mounting adapters
- Various styles and colors of pushbuttons
- Solder terminals
- Momentary snap action
- Protective shields can be ordered separately to prevent accidental actuation on "W" case model
- Black pushbutton supplied as standard
- Other colors available

### SPECIFICATIONS

- Operating force:  $5.5 \pm 1.5$  lbs (24.2N  $\pm$  6.6N)
- Release force: 1 lb. minimum (.45g)
- Electrical life: 25,000 operations minimum at rated load
- Terminals: Solder
- Weight approx.: .05 lb. (.023g)


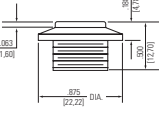
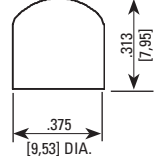

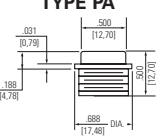

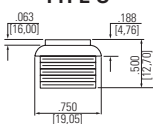
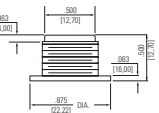
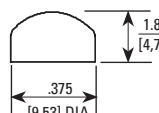
### CURRENT RATINGS

Catalog Number	Number of Poles	Type of Operation	28VDC Inductive	120VAC Inductive <sup>①</sup>
H2211	2	Momentary	10	10
H2222	2	Momentary	10	10
H2266	2	Momentary	10	10

<sup>①</sup> p.f.=.75

### SELECTION TABLE

#### SERIES AND TYPE

	Part Number	Circuit	Adapter Type <sup>①</sup> and Color <sup>③</sup>			Pushbutton Type and Color			
			Type	Color	Code Suffix	Type <sup>②</sup>	Color	Code Suffix	
 <b>H2211PB3 With "P" Adapter</b>	H2211	2 P.S.T.-NO Double Break	<b>TYPE P</b> 	Black Clear	PB P	NO. 2 	Red Black	2R 2	
	H2222	2 P.S.T.-NC Double Break							
 <b>H2266 Without Mounting Adapter</b>	H2266	2 P.D.T. Double Break	<b>TYPE PA</b> 	Black Clear	PAB PA	NO. 3 	Red Black	3R 3	
			<b>TYPE U</b> 	Black Clear	UB U				
			<b>TYPE W</b> 	Black Clear	WB W	NO. 4 	Red Black	4R 4	

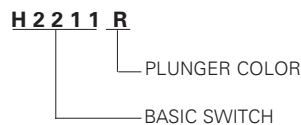
<sup>①</sup> Clear anodized aluminum is standard. All threads are 1/2"-32 NS-2B internal; 5/8"-24 NEF-2A external except as noted.

<sup>②</sup> The different pushbutton types are only available when using with one of the 4 different adapters.

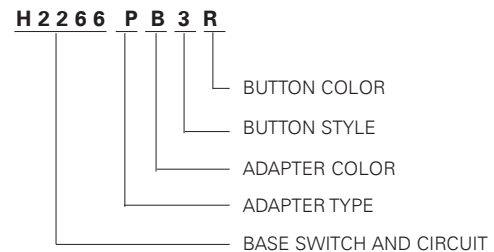
<sup>③</sup> When used with any of these adapters the switch can be used as part of the UPA group of switches on pages B16 and B17.

### WHEN ORDERING SPECIFY...

- **For switch with pushbutton only** - specify catalog number of base switch followed by code for pushbutton color. Use code R for red and leave blank if black button is desired. Examples:



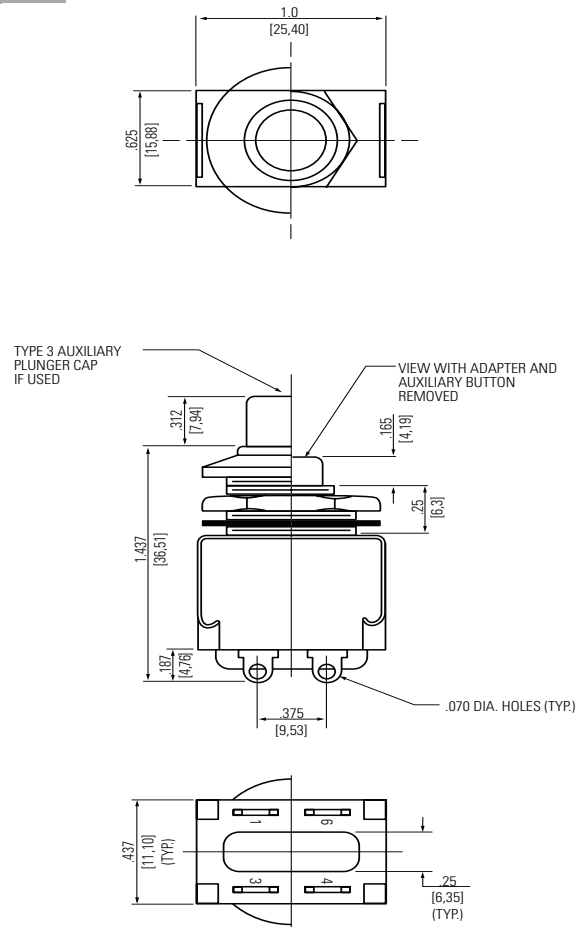
- **For switch with mounting adapter** - specify catalog number of base switch followed by suffix letters and numbers for type and color of adapter and pushbutton. Example:



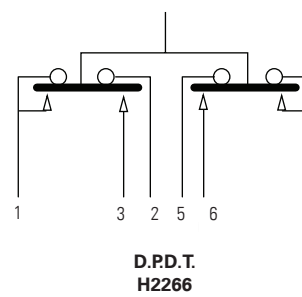
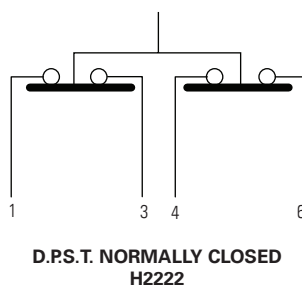
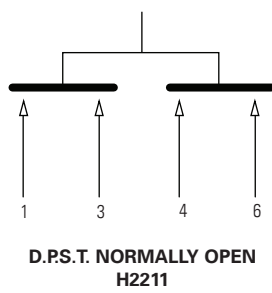
# Series - H2200 Double Pole

# PUSHBUTTON SWITCHES Momentary Snap Action Pushbutton Switches

## APPROXIMATE DIMENSIONS - H2200



## BASIC SWITCH AND SCHEMATIC DIAGRAM



**STANDARD**  
0.00 = inches  
[0,0] = mm

Dimensions for reference only.

# PUSHBUTTON SWITCHES

## Series - J300

## Alternate Action Moisture Proof Pushbutton Switches

### FEATURES

- Alternate action push-push
- Moisture proof
- Snap action contact design
- Seven adapter styles
- Four button colors
- EMI/RFI version (J334)

### SPECIFICATIONS

- DPDT (J333, J334) and two circuit (J313)
- EMI/RFI shielded (J334P6)
- Seal level 2 per MIL-PRF-8805
- Operating force:  $2.75 \pm 1$  lb (12 IN.  $\pm$  4.4N)
- Electrical life: 25,000 operations minimum
- Operating temperature:  $-40^{\circ}\text{F}$  to  $+185^{\circ}\text{F}$  ( $-40^{\circ}\text{C}$  to  $+85^{\circ}\text{C}$ )
- Total plunger travel: 0.200 in. (5.1mm) approx.
- Weight (approx.): 0.035 lbs (15.9g)
- Available in number 6 button style only

### CURRENT RATINGS

Part Number	Number of Poles	Type of Operation	28VDC			120VAC		
			Resistive Load	Inductive Load	Lamp Load	Resistive Load	Inductive Load <sup>①</sup>	Lamp Load
J313	1	Alternate	10	5	1	10	5	1
J333	2	Alternate	1	—	1	1	—	1
J334 <sup>②</sup>	2	Alternate	1	—	—	1	—	—

<sup>①</sup> p.f.=.75

<sup>②</sup> EMI/RFI shielded

### ORDERING INFORMATION

**J 3 1 3 W 6**

- BUTTON STYLE
- CLEAR "W" ADAPTER
- 2 CIR. SWITCH TYPE

**J 3 3 4 P 6 R**

- RED BUTTON
- DPDT EMI/RFI SHIELDED SWITCH

**J 3 3 3 P B 6 R**

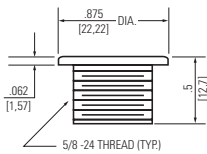
- RED BUTTON
- BUTTON STYLE
- BLACK "P" ADAPTER
- DPDT SWITCH TYPE

### SPECIFY ADAPTER

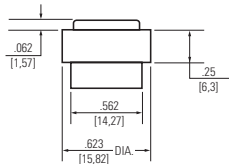
- Seven Adapter Styles
- Specify Black: B, Clear: No letter
- Plunger Color, Specify:
  - Black: No letter
  - Red: R
  - White: W
  - Gray: GY
- DPDT J333 and Two Circuit J313
- J334 only available as J334P6 or J334P6R

### ADAPTER STYLES

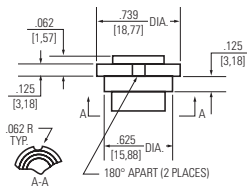
TYPE HA



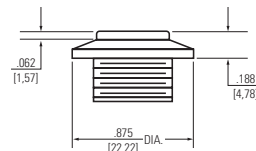
TYPE M



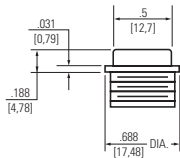
TYPE N



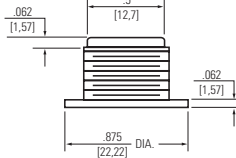
TYPE P



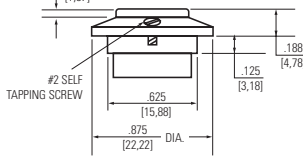
TYPE PA



TYPE W



TYPE Y



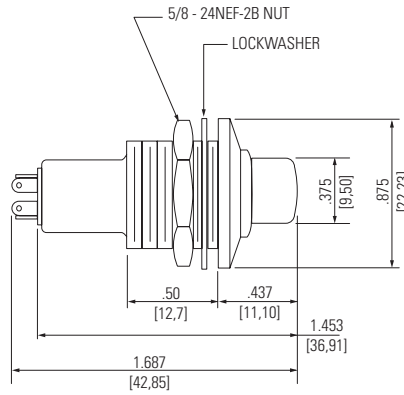
**STANDARD**  
0.00 = inches  
[0,0] = mm

Dimensions for reference only.

# Series - J300

# PUSHBUTTON SWITCHES Alternate Action Moisture Proof Pushbutton Switches

## DIMENSIONS - J300



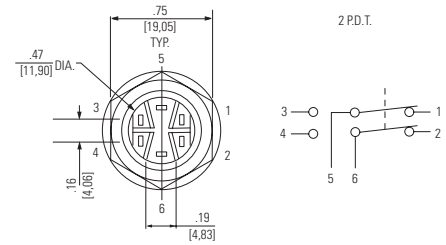
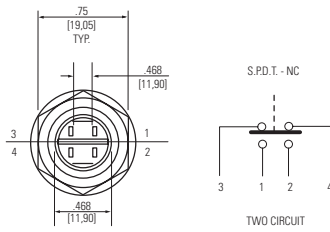
## SCHEMATIC DIAGRAMS

### J313 TYPE

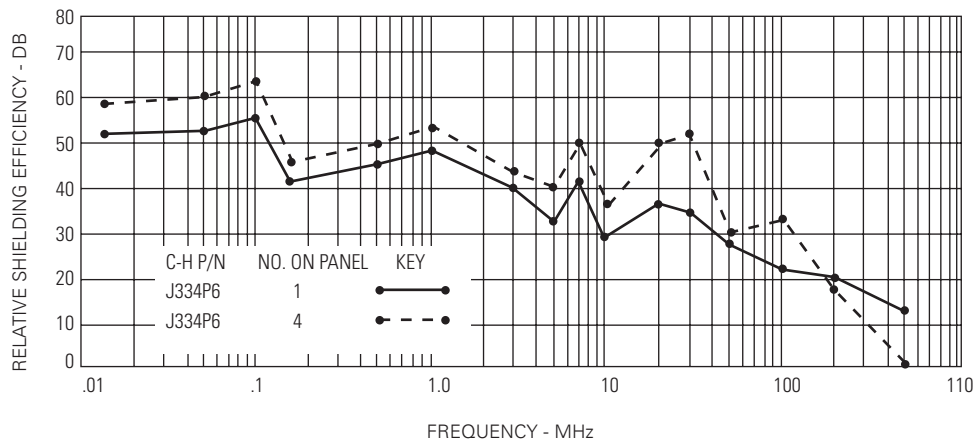
### J333 AND J334 TYPE



#### TWO CIRCUIT



## "W" J334P6 - EMI/RFI SHIELDING



Graphic illustration defines relative shielding efficiency of RFI shielded component/ components over unshielded device.

### STANDARD

0.00 = inches

[0,0] = mm

Mounting dimensions for reference only.

# PUSHBUTTON SWITCHES

## Series - C20050

# Momentary Snap Action Pushbutton Switches

### FEATURES SPECIFICATIONS CURRENT RATINGS

- Snap action pushbutton
- Compact size
- Black or red buttons available
- Momentary

- Meets MIL-PRF-8805/20
- Operating force: 3.5 ± 1 lb (2.48kg ± .68kg)
- Electrical life: 40,000 operations minimum at rated load
- Mechanical life: 50,000 operations minimum
- Terminal strength: 5 lbs (2.25kg)
- Single pole, two circuit
- Weight approx.: .02 lb (9g)

Part Number	Number of Poles	Type of Operation	120VAC <sup>①</sup>	120VDC	230VDC <sup>②</sup>
C20050	1	Momentary	15	1	0.05

① p.f.=.50

② 5,000 operations

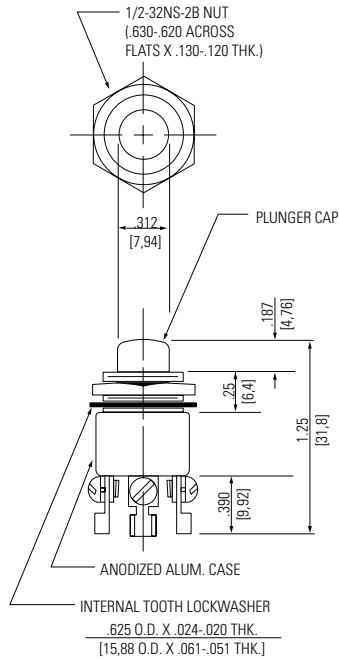
### SELECTION TABLE



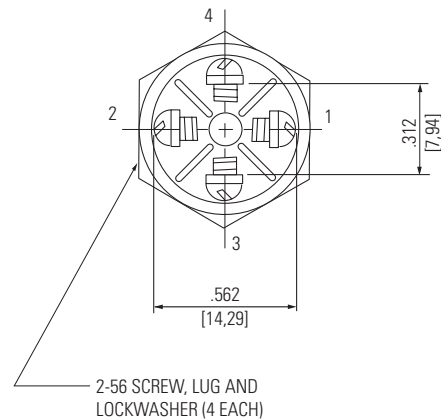
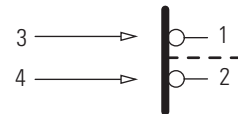
C20050

Circuit	Operation	Case Color	Button Color	Catalog Number	Military Part Number
1 P-2 Ckt.	Momentary	Clear	Black	C20050	MS16712-1
1 P-2 Ckt.	Momentary	Clear	Red	C20050R	MS16712-2

### APPROXIMATE DIMENSIONS - C20050



### BASIC SWITCH SCHEMATIC DIAGRAM



Mounting and terminal hardware supplied unassembled.

**STANDARD**  
0.00 = inches  
[0,0] = mm

Dimensions for reference only.



# Series - J4004 Alternate Action

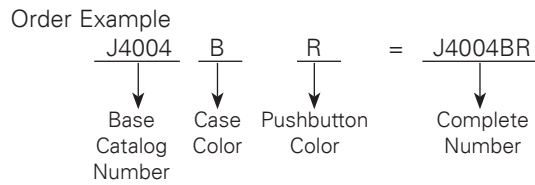
# PUSHBUTTON SWITCHES Alternate Action Pushbutton Switches

FEATURES		SPECIFICATIONS		CURRENT RATINGS				
<ul style="list-style-type: none"> <li>• Alternate action</li> <li>• Snap action mechanism</li> <li>• Single piece case construction</li> <li>• Two case and four button colors available</li> </ul>	<ul style="list-style-type: none"> <li>• Single pole, two circuit</li> <li>• Operating force: <math>2 \pm 0.75</math> lb (8.8N <math>\pm</math> 3.3N)</li> <li>• Mechanical life: 50,000 operations minimum</li> <li>• Total plunger travel: 0.172in. (4.37mm) approx.</li> <li>• Weight (approx.): 0.32 lbs (15g)</li> <li>• Solder lug terminals</li> </ul>	<b>Part Number</b> J4004	<b>Number of Poles</b> 1	<b>Type of Operation</b> Alternate	28VDC		125VAC	
					<b>Resistive Load</b>	<b>Inductive Load</b>	<b>Resistive Load</b>	<b>Inductive Load<sup>①</sup></b>
					10	5	10	5


① p.f.=.75

## WHEN ORDERING SPECIFY...

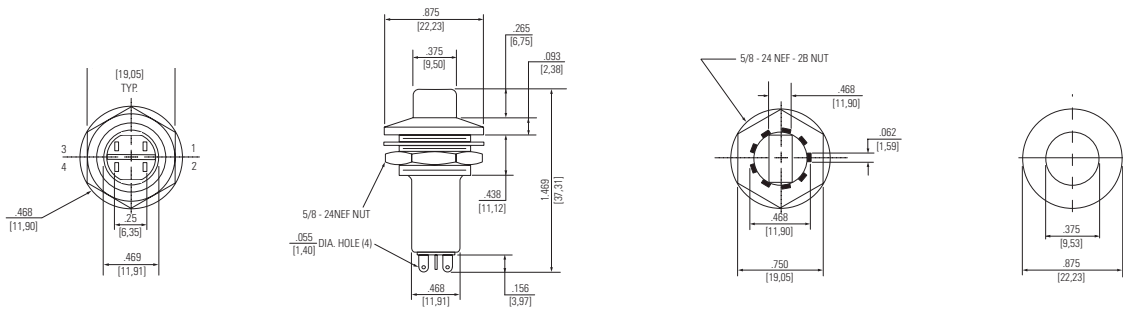
- **Catalog number of base switch** - followed by suffix letters for color of case and pushbutton



## SELECTION TABLE

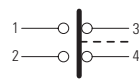
SERIES AND TYPE						
 J4004 Series	Base Catalog Number	Circuit	Case Color		Plunger Color	
			Color	Code Suffix	Color	Code Suffix
	J4004	1 P-2 Ckt.	Black	B	Gray	GY
			Clear	None	White	W
					Red	R
					Black	None

## APPROXIMATE DIMENSIONS



## SCHEMATIC DIAGRAM

**STANDARD**  
0.00 = inches  
[0,0] = mm



Dimensions for reference only.

# PUSHBUTTON SWITCHES

## Series - J100 Alternate Action

## High Current Pushbutton Switches

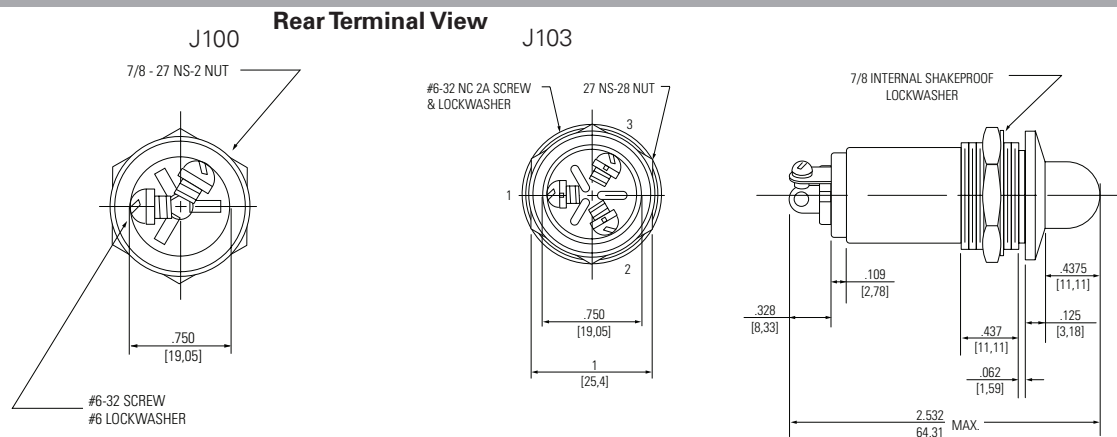
FEATURES			SPECIFICATIONS			CURRENT RATINGS							
						28VDC				115VAC			
Part Number	Number of Poles	Type of Operation	Continuous	Resistive	Inductive	Lamp	Continuous	Resistive	Inductive	Lamp			
J100	1	Alternate	40	20	15	5	40	10	10	3			
J103	1	Alternate	40	20	15	5	40	10	10	3			

### SELECTION TABLE



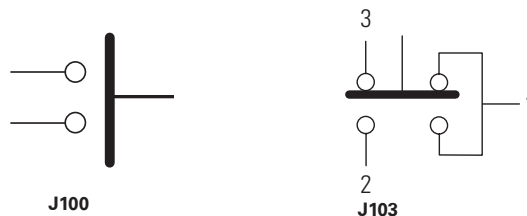
Series and Type	Circuit	Catalog Number
J100	1 P.S.T.-NO.	J100
J103	1 P.D.T.-ON-ON	J103

### APPROXIMATE DIMENSIONS - J100 AND J103



- J103 has three terminals

### SCHEMATIC DIAGRAMS



**STANDARD**  
0.00 = inches  
[0,0] = mm

Dimensions for reference only.




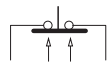
Mounting and terminal hardware supplied unassembled.

# Series - W300

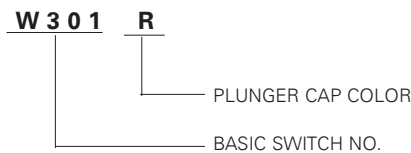
# PUSHBUTTON SWITCHES Moisture-proof Pushbutton Switches

FEATURES	SPECIFICATIONS	CURRENT RATINGS							
		28VDC			125VAC <sup>①</sup>				
		Part Number	Number of Poles	Type of Operation	Resistive	Inductive	Lamp	Resistive	Inductive
<ul style="list-style-type: none"> <li>Moisture-proof</li> <li>Momentary snap action</li> <li>Black plunger (as standard)</li> <li>Various color adapters available</li> </ul>	<ul style="list-style-type: none"> <li>Electrical life: 25,000 operations minimum at rated current</li> <li>Temperature range: -67°F to +185°F (-55°C to +85°C)</li> <li>Exceeds MIL-PRF-8805 Seal Level 2</li> <li>Operating force: 5 ± 1 lb (22N ± 4.4N)</li> <li>Total plunger travel: 0.085 in. (2.2mm) approx.</li> <li>Weight with adapter: 0.025 lbs approx.</li> </ul>	W300	1	Momentary	10	5	3		15
		① .75 PF							

## SELECTION TABLE

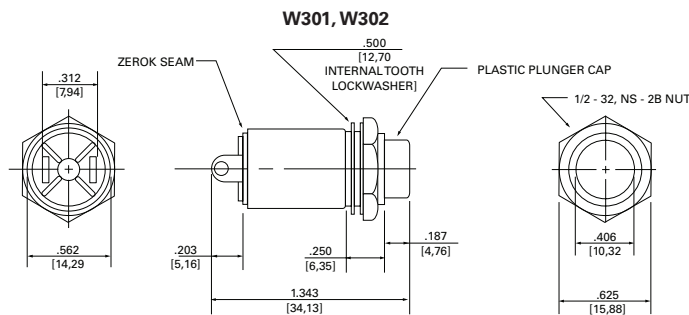
Series and Type	Operation	Circuit Catalog Schematic	Catalog Number
 W300	Momentary Snap Action	1 P.S.T.-NO 	W301
		1 P.S.T.-NC 	W302
		1 P-2 	W303

## WHEN ORDERING SPECIFY...



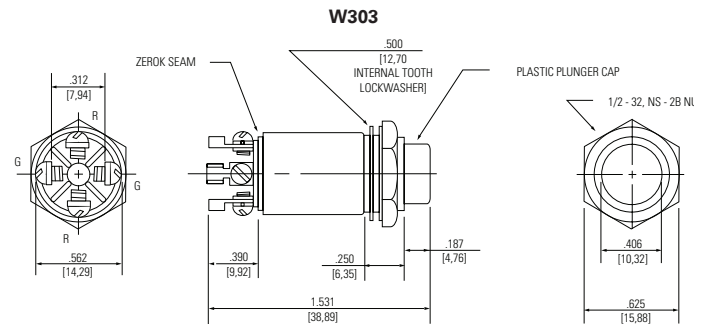
- Plunger Color:
- Gray: GY
- White: W
- Red: R
- Black: No Letter

## APPROXIMATE DIMENSIONS - W300



SUPPLIED WITH TWO TERMINAL SCREWS, LOCK WASHERS AND LUGS.

W300 SERIES W/SOLDER TERMINALS



SUPPLIED WITH FOUR TERMINAL SCREWS, LOCK WASHERS AND LUGS.

W300 SERIES W/SOLDER LUG TERMINALS

### STANDARD

0.00 = inches

[0,0] = mm

Dimensions for reference only.

Mounting and terminal hardware supplied unassembled.

# PUSHBUTTON SWITCHES

## Series - W9000

# Swivel Action Pushbutton Switches

### FEATURES SPECIFICATIONS CURRENT RATINGS

- Swivel action allows operation from any angle
- Large button
- Splash proof
- Momentary snap action
- Solder lug terminals
- Variety of adapter and button colors

- Meets MIL-PRF-8805 seal level 6 (splash proof)
- Electrical life: 25,000 operations minimum at rated load
- Mechanical life: 200,000 operations (50,000 operations for 3 terminal design)
- Operating force:  $4 \pm 1$  lb (176N  $\pm$  4.4N)
- Total plunger travel: 0.085 in. (0.22mm) approx.
- Weight with adapter: 0.088 lbs approx.

Part Number	Number of Poles	Type of Operation	28VDC <sup>②</sup>			120VAC	
			Resistive	Inductive	Lamp	Resistive	Inductive <sup>①</sup>
W9000	1	Momentary	10	5	3		15

① p.f.=.75  
② 3 amps max. through center terminal.

### SELECTION TABLE

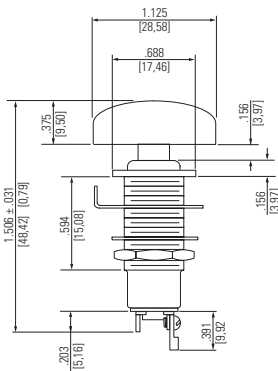
#### SERIES AND TYPE



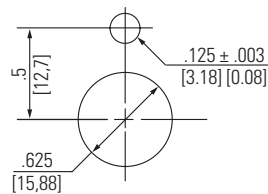
W9000

Base Catalog Number	Operation	Circuit and Schematic	Code Suffixes - Add to Cat. No.							
			Adapter Color		Pushbutton Color					
			Color	Code Suffix	Color	Code Suffix				
W9001	Momentary Snap Action	1 P.S.T.-N.O.	Black	None	Red	R				
W9002		1 P.S.T.-N.C.								
W9003		1 P-2 Circuit								
W9004		1 P.S.T. 3 Terminal N.O.					Clear	C	Black Gray	B None
W9005		1 P.S.T. 3 Terminal N.C.								
W9006		1 P.D.T.-N.O.-N.C.								

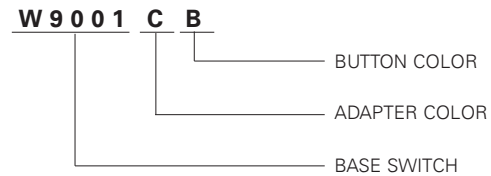
### DIMENSIONS - W9000



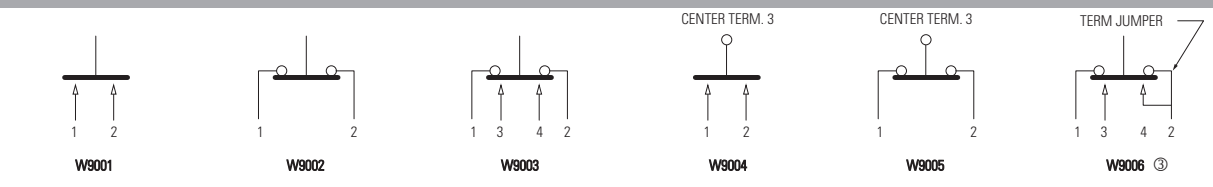
### PANEL CUTOUT



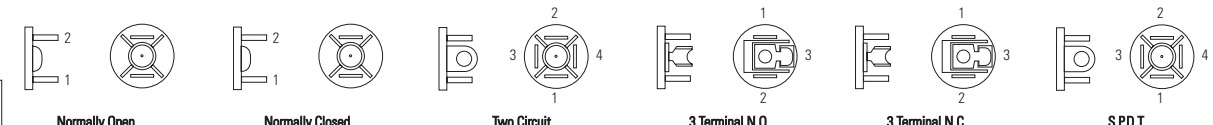
### WHEN ORDERING SPECIFY...



### BASIC SWITCH & SCHEMATIC DIAGRAM



**STANDARD**  
0.00 = inches  
[0,0] = mm



③ For W9006 or SPDT circuit, mount terminal jumper to terminals #2 and #4.

Dimensions for reference only.

Mounting and terminal hardware supplied unassembled.


# Series - W9600

# PUSHBUTTON SWITCHES Wide Button Moisture-Proof Pushbutton Switches

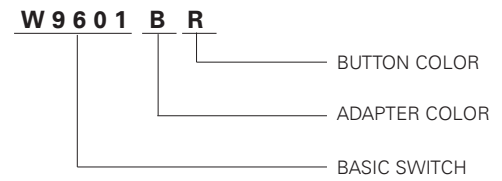
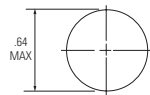
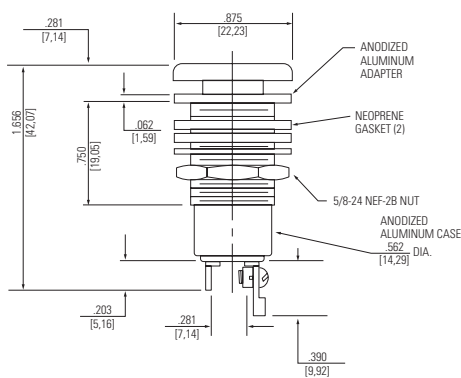
FEATURES	SPECIFICATIONS	CURRENT RATINGS							
		28VDC <sup>②</sup>			125VAC				
		Part Number	Number of Poles	Type of Operation	Resistive	Inductive	Lamp	Resistive	Inductive <sup>①</sup>
<ul style="list-style-type: none"> <li>Splash-proof</li> <li>Wide diameter button</li> <li>Variety of button colors available</li> <li>Momentary snap action</li> <li>Solder lug terminals</li> <li>RFI shielded version (W9623)</li> </ul>	<ul style="list-style-type: none"> <li>Meets MIL-PRF-8805 seal level 6 (splash-proof)</li> <li>Electrical life: 25,000 operations minimum at rated current</li> <li>Mechanical life: 200,000 operations (50,000 operations for 3 terminal design)</li> <li>Operating force: 4 ± 1 lbs (17.6N ± 4.4N)</li> <li>Total plunger travel: 0.080 in. ± .015 (0.21mm ± .003) approx.</li> <li>Vibration: 10-2000Hz 15g.</li> <li>Shock: 100g. 6 Ms sawtooth</li> <li>Weight with adapter: 0.048 lbs approx.</li> <li>EMI/RFI shielded (W9623 only)</li> </ul>	W9600 Series	1	Momentary	10	5	3		15
		W9623 Series	2 Circuit	Momentary	10	5	3	—	—

① p.f.=.75  
② 3 amps max. through center terminal.

## SELECTION TABLE

SERIES AND TYPE	Base Catalog Number	Operation	Circuit and Schematic	Code Suffixes - Add to Cat. No.							
				Adapter Color		Pushbutton Color					
				Color	Code Suffix	Code Suffix	Code Suffix				
 <p>W9600</p>	W9601	Momentary Snap Action	1 P.S.T.-N.O.	Black	B	Red	R				
	W9602		1 P.S.T.-N.C.								
	W9603		1 P-2 Circuit								
	W9604		1 P.S.T. 3 Terminal N.O.					Clear	None	Black	B
	W9605		1 P.S.T. 3 Terminal N.C.								
	W9606		1 P.D.T.-N.O.-N.C.								

## DIMENSIONS - W9600      PANEL CUTOUT      WHEN ORDERING SPECIFY...



**STANDARD**  
0.00 = inches  
[0,0] = mm

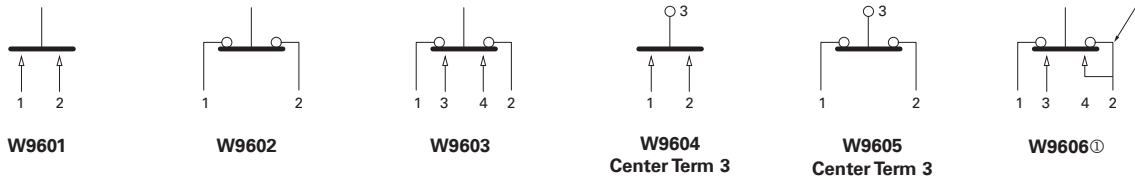
Dimensions for reference only.

# PUSHBUTTON SWITCHES

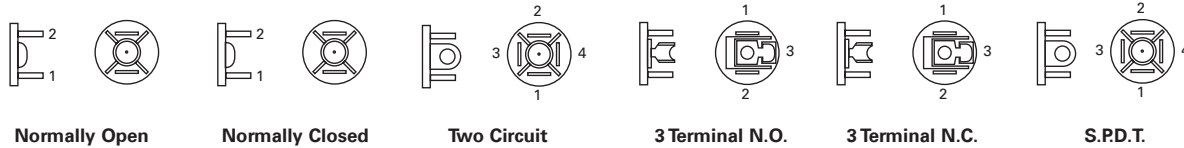
## Series - W9600

# Wide Button Moisture-Proof Pushbutton Switches

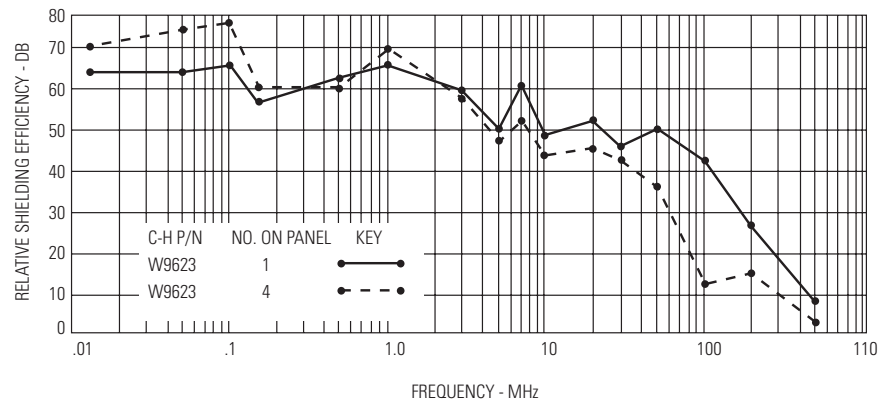
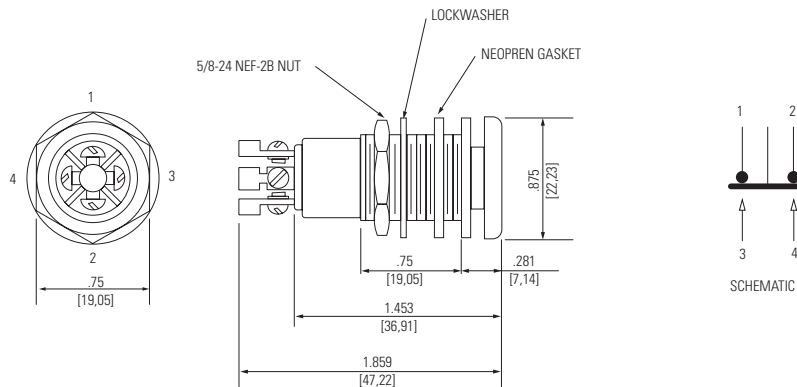
### BASIC SWITCH & SCHEMATIC DIAGRAM



① For W9606 or SPDT circuit, mount terminal jumper to terminal #2 and #4.



### TWO CIRCUIT MODEL W9623 EMI/RMI SHIELDED



Graphic illustration defines relative shielding efficiency of RFI shielded component/ components over unshielded device.

**STANDARD**  
0.00 = inches  
[0,0] = mm

Dimensions for reference only.

# Series - C100, W100, WC150

# PUSHBUTTON SWITCHES Uniform Panel Appearance Switches

FEATURES	SPECIFICATIONS	CURRENT RATINGS						
		28VDC			125VAC 60/400 HZ			
		Resistive Load	Inductive Load	Lamp	Resistive Load	Inductive Load <sup>③</sup>	Lamp	
<ul style="list-style-type: none"> <li>Low level switching capability</li> <li>Moisture-proof</li> <li>Momentary action (except #7 button)</li> <li>Push-Pull action (#7 button only)</li> <li>Up to 1 million mechanical cycles</li> <li>EMI/RFI shielding available</li> <li>Tease resistant, snap action</li> <li>Six circuit arrangements available</li> <li>Various adapter, button styles and colors</li> <li>High contact pressure</li> <li>Compact size</li> <li>Corrosion resistant case and adapters</li> </ul>	<ul style="list-style-type: none"> <li>MS27903 (WC150 series only)</li> <li>Operating temperature: -40°F to +158°F (-40°C to +70°C)</li> <li>Electrical life: 25,000 cycles at rated load</li> <li>Operating force: Approx. 2.5-5 lbs (Momentary) Approx. 1.5-2.5 lbs (Push-Pull)</li> <li>Total plunger travel: 0.085 in. (2.16mm) approx.</li> <li>W100 and WC150 exceeds seal level 2 per MIL-PRF-8805</li> <li>C100 series unsealed</li> </ul>	Part Number	10 <sup>①</sup>	5	3	10 <sup>①</sup>	5	3
		C100 Series	10 <sup>②</sup>	5	3	10 <sup>②</sup>	5	3
		W100 Series	—	2	—	—	—	—
		WC1500 Series	10	5	—	—	—	—
		W403 P6 (R) <sup>④</sup>						

<sup>①</sup>3 amps max. through center terminal of A800 and A11200  
<sup>②</sup>3 amps max. through center terminal of W104 and W105  
<sup>③</sup>p.f. = .75  
<sup>④</sup>EMI/RFI shielded

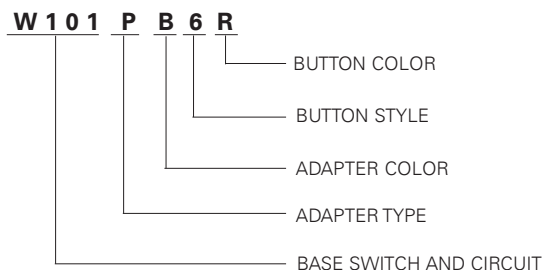
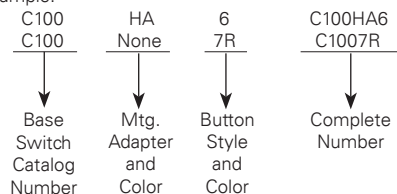
## SELECTION TABLE

SERIES AND TYPE	Base Switch - Catalog Number				Options - Suffix Number										
	Solder Lug Terminals				Mounting Adapters		Auxiliary Buttons								
	Non-Sealed		Sealed		Type	Color	Style	Color							
	Normal Force	Light Op. Force (2 +/- .5 lb.)	Normal Force	Light Op. Force (2 +/- 1 lb.)											
C100	SP-NO	C100	C111	-	-	Standard: N, P, PA, W, L (with #5 button only) Optional: D, E, HA, J, M, PL, U, Y	B=Black R=Red No Alpha=Clear	2, 6, or 7 on switch without adapter	No Alpha= Black R=Red W=White						
	SP-NC	C3100	C112	-	-										
	1 P.D.T.-2 Ckt.	C200	C113	-	-										
	SP-NO 3Term.	A800	C114	-	-										
	SP-NC 3Term.	A11200	C115	-	-										
1 P.D.T. Dbl Brk	C4100	C116	-	-	2, 3, 4 or 7 on switches with adapter										
W100	SP-NO	-	-	W101	W111			Standard: N, P, PA, W, L (with #5 button only) Optional: D, E, HA, J, M, PL, U, Y		B=Black R=Red No Alpha=Clear	2, 3, 4, 6 or 7	No Alpha= Black R=Red W=White			
	SP-NC	-	-	W102	W112										
	1 P.D.T.-2 Ckt.	-	-	W103	W113										
	SP-NO 3Term.	-	-	W104	W114										
	SP-NC 3Term.	-	-	W105	W115										
1 P.D.T. Dbl Brk	-	-	W106	W116	2, 3, 4, 6 or 7										
WC150	2 P.D.T. 4 Ckt. May be Jumpered for 2 P.D.T.	-	-	WC150	-									2, 3, 4, 6 or 7	

## WHEN ORDERING SPECIFY...

- Catalog number of base switch - followed by suffix numbers of options (when required) as selected from Selection Table.

Order Example:



### STANDARD

0.00 = inches

[0,0] = mm

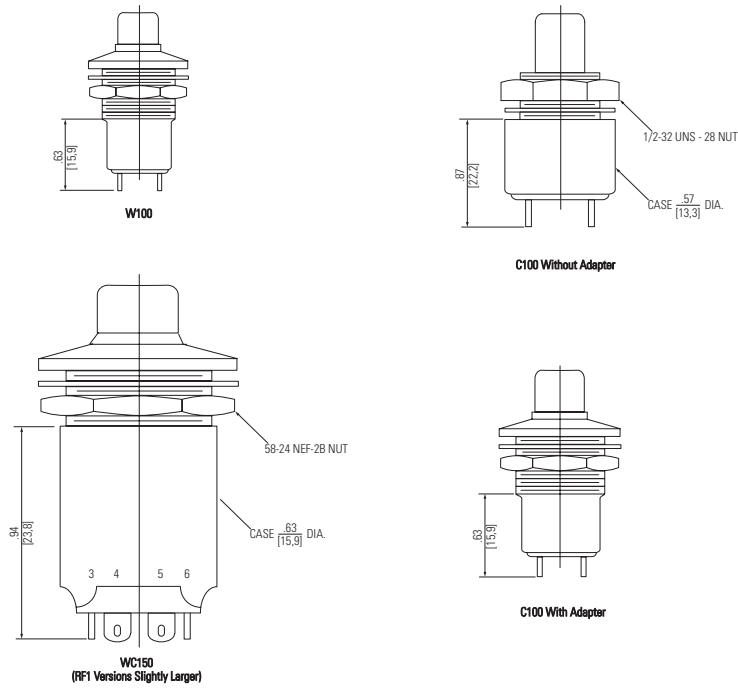
Dimensions for reference only.

# PUSHBUTTON SWITCHES

## Series - C100, W100, WC150

## Uniform Panel Appearance Switches

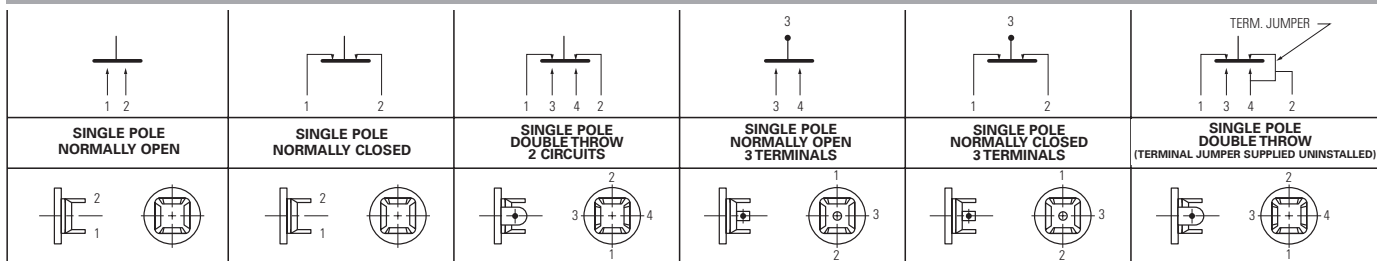
### APPROXIMATE DIMENSIONS - PUSHBUTTON SWITCHES



### APPROXIMATE DIMENSIONS - AUXILIARY BUTTONS

	Style Number 2		Style Number 3		Style Number 4		Style Number 6		Style Number 7	
	A	B	A	B	A	B	A	B	A	B
Series Number	mm.	in.	mm.	in.	mm.	in.	mm.	in.	mm.	in.
<b>Series C100</b>										
Without Adapter	7.9	.31	-	-	-	-	7.9	.31	4.8	.19
With Adapter	9.5	.37	7.9	.31	9.5	.37	-	-	7.9	.31
<b>Series W100 &amp; WC150</b>										
With Adapter	9.5	.37	7.9	.31	9.5	.37	4.8	.19	9.5	.37
Without Adapter		.37		.34		.37		.37		.41

### SCHEMATIC DIAGRAMS



#### STANDARD

0.00 = inches

[0,0] = mm

Dimensions for reference only.

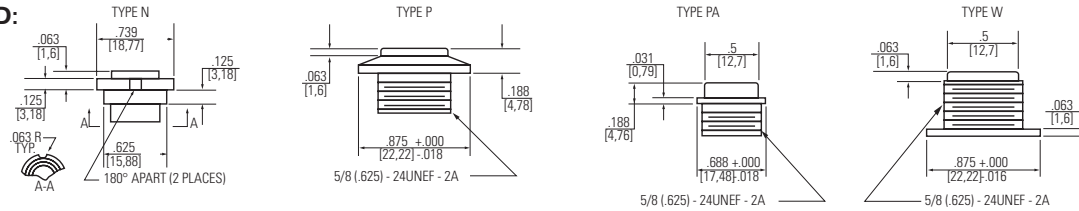


# Series - C100, W100, WC150

# PUSHBUTTON SWITCHES Uniform Panel Appearance Switches

## APPROXIMATE DIMENSIONS - MOUNTING ADAPTERS

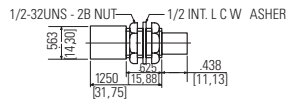
### STANDARD:



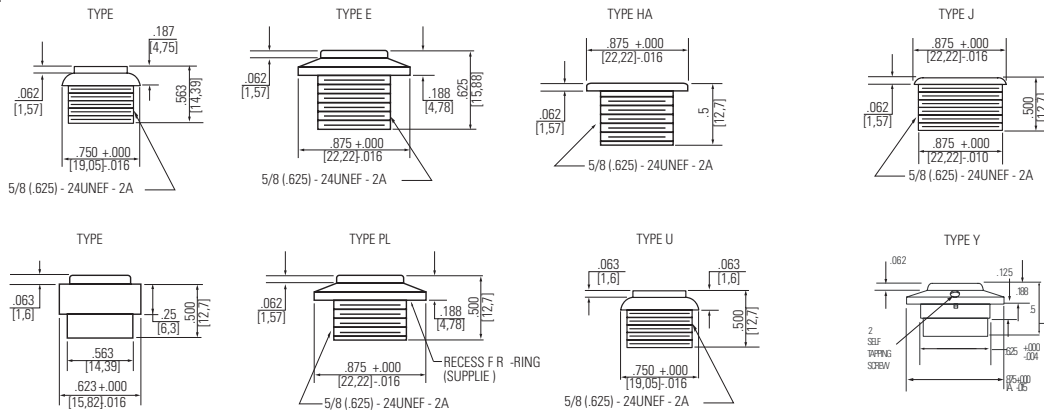
### PLUNGER CAP COLORS:

CHROME: NO LETTER  
 RED: R  
 BLACK: B  
 TOTAL PLGR TRAVEL: .438 APPROX.  
 OVERTRAVEL: .313 APPROX.

### TYPE L WITH 5 PLUNGER CAP



### OPTIONAL:

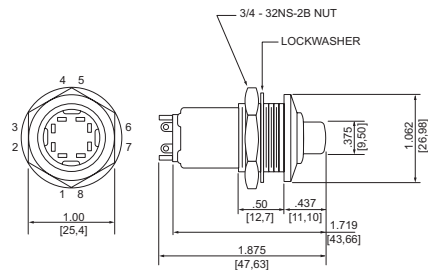


NOTE: INTERNAL THREADS 1/2 - 32 UNS-2B

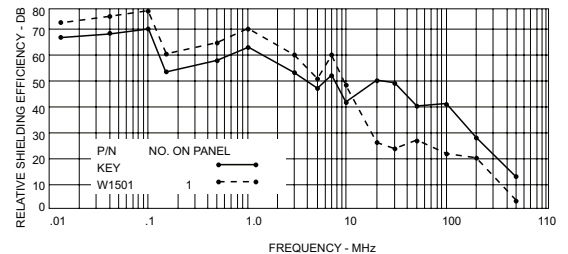
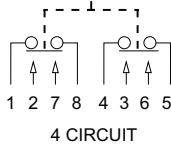
## EMI/RFI SHIELDED



W1501



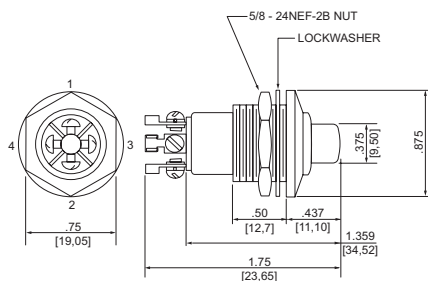
### SCHEMATIC



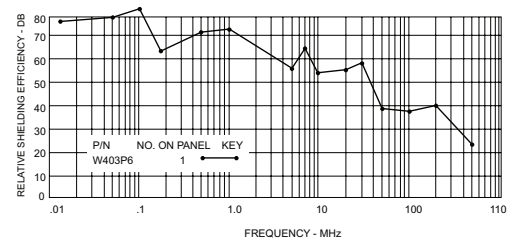
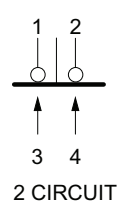
Graphic Illustration defines relative shielding efficiency of RFI shielded component/ components over unshielded device.



W403P6



### SCHEMATIC



Graphic Illustration defines relative shielding efficiency of RFI shielded component/ components over unshielded device.

### STANDARD

0.00 = inches

[0,0] = mm

Dimensions for reference only.

# PUSHBUTTON SWITCHES

## Sub-Miniature Pushbutton Switches

### FEATURES

- Sealed or unsealed versions
- Low operating force
- Momentary snap action
- EMI/RFI version (BR7070)
- Black or red adapter colors available
- Clear or black case colors available
- Compact, space saving design



### SPECIFICATIONS

- MIL-PRF-8805 approved
- Total plunger travel: .08/0.093 in. (0.236 mm) minimum
- Electrical life: 25,000 operations minimum at de-rated current  
10,000 operations minimum at rated current
- Operating force:
  - B9000 1.5 (6.66N) ± .5 lb (2.22N)
  - BW9000, B9020 & BW9020 1.75 (7.77N) ± .5 lb (2.22N)
  - B7070 1.5 (6.66N) ± .75 lb (3.33N)
  - BR7070 2.0 (8.88N) ± .75 lb (3.33N)
- Weight approx.:
  - B9000 0.01 lb (4.5g) Max.
  - & B9020 BW9000 0.01 lb (4.5g) Max.
  - & BW9020 B7070 0.02 lb (9.1g) Approx.
  - BR7070 0.02 lb (9.1g) Max.
- EMI/RFI shielded (BR7070 only)

### CURRENT RATINGS

Part Number	Number of Poles	Type of Operation	28VDC		125VAC	
			Resistive Load	Inductive Load	Resistive Load	Inductive Load <sup>①</sup>
B9001	1	Momentary	7	4	7	4
B9002	1	Momentary	7	4	7	4
BW9001	1	Momentary	7	4	7	4
BW9002	1	Momentary	7	4	7	4
B9021	1	Momentary	7	4	7	4
B9022	1	Momentary	7	4	7	4
BW9021	1	Momentary	7	4	7	4
BW9022	1	Momentary	7	4	7	4
B7070	2	Momentary	1	1	1	1
BR7070 <sup>②</sup>	2	Momentary	1	1	1	1

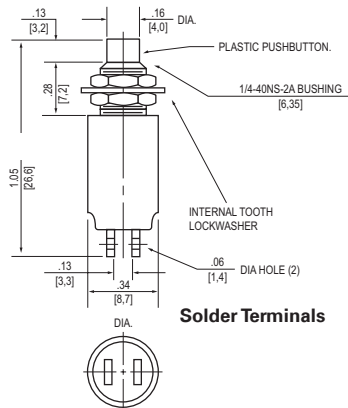
<sup>①</sup> p.f.=.75

<sup>②</sup>EMI/RFI shielded

### APPROXIMATE DIMENSIONS

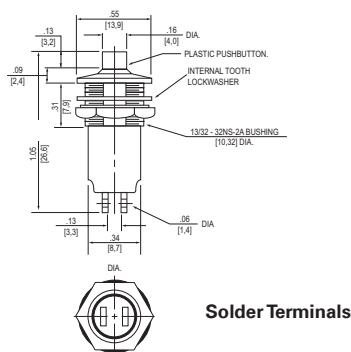
### SELECTION TABLES

**B9001, 2  
Single Pole**



Catalog Number	Military Part Numbers M8805/96	Button Color	Circuit	Case Color	Enclosure Design
B9001R	-001	Red	SPST-NO	Clear	(unsealed)
B9001B	-002	Black	SPST-NO	Clear	(unsealed)
B9002R	-003	Red	SPST-NC	Clear	(unsealed)
B9002B	-004	Black	SPST-NC	Clear	(unsealed)
B9001BR	-005	Red	SPST-NO	Black	(unsealed)
B9001BB	-006	Black	SPST-NO	Black	(unsealed)
B9002BR	-007	Red	SPST-NC	Black	(unsealed)
B9002BB	-008	Black	SPST-NC	Black	(unsealed)
BW9001R	-009	Red	SPST-NO	Clear	(dust tight)
BW9001B	-010	Black	SPST-NO	Clear	(dust tight)
BW9002R	-011	Red	SPST-NC	Clear	(dust tight)
BW9002B	-012	Black	SPST-NC	Clear	(dust tight)
BW9001BR	-013	Red	SPST-NO	Black	(dust tight)
BW9001BB	-014	Black	SPST-NO	Black	(dust tight)
BW9002BR	-015	Red	SPST-NC	Black	(dust tight)
BW9002BB	-016	Black	SPST-NC	Black	(dust tight)

**B9021, 22  
Single Pole**

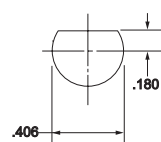


Catalog Number		Circuit	Case Color	Button Color
Standard	Dust Tight			
B9021CB	BW9021CB	SP-NO	Clear	Black
B9021CR	BW9021CR		Clear	Red
B9021BB	BW9021BB		Black	Black
B9021BR	BW9021BR		Black	Red
B9022CB	BW9022CB	SP-NC	Clear	Black
B9022CR	BW9022CR		Clear	Red
B9022BB	BW9022BB		Black	Black
B9022BR	BW9022BR		Black	Red

### SCHEMATIC DIAGRAMS - B AND BW SERIES

### PANEL CUT-OUT

### PANEL CUT-OUT



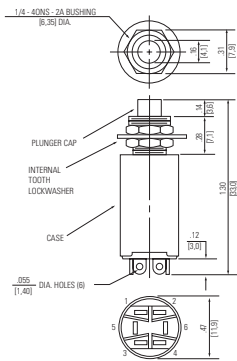
# PUSHBUTTON SWITCHES

## Sub-Miniature Pushbutton Switches

### SERIES TYPE APPROXIMATE DIMENSIONS SELECTION TABLES



**B7070**  
Two Pole

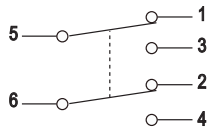


Solder Terminals

Catalog Number	Military Part Number	Case Color	Button Color
B7070	M8805/95-001	Clear	Black
B7070R	M8805/95-002	Clear	Red
B7070B	M8805/95-003	Black	Black
B7070BR	M8805/95-004	Black	Red

### SCHEMATIC DIAGRAMS - BR7070 PANEL CUT-OUT

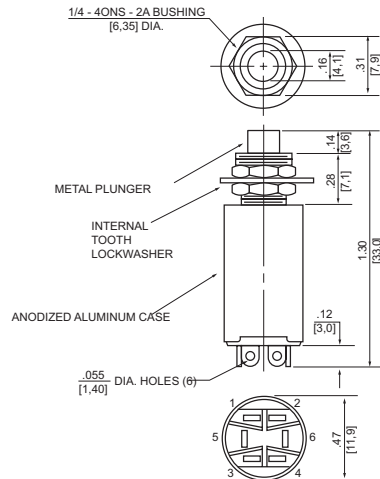
D.P.D.T.



PANEL MTG HOLE DIMENSIONS



**BR7070\***  
Two Pole



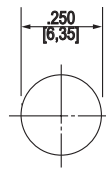
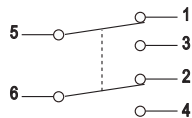
Solder Terminals

Catalog Number	Case Color	Button Color
BR7070*	Clear	Clear

\*EMI/RFI shielded

### SCHEMATIC DIAGRAMS - BR7070\* PANEL CUT-OUT

D.P.D.T.



PANEL MTG HOLE DIMENSIONS

**STANDARD**  
0.00 = inches  
[0,0] = mm

Dimensions for reference only.

# PUSHBUTTON SWITCHES

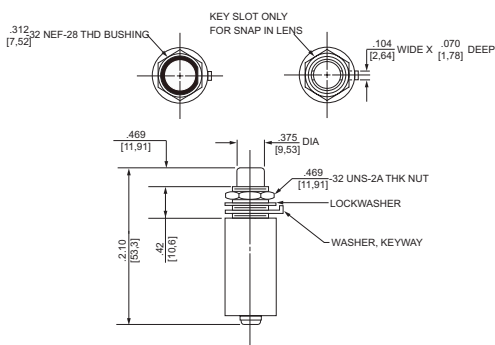
Series - A20000 Momentary Snap Action  
J20000 Push-Push (Alternate) Action

Illuminated Switches

FEATURES		SPECIFICATIONS			CURRENT RATINGS					
<ul style="list-style-type: none"> <li>Moisture resistant</li> <li>Flame retardant back material</li> <li>Low operating force</li> <li>Independent lamp circuit</li> <li>Rugged case</li> <li>A20000 Series Momentary Snap Action</li> <li>J20000 Series Alternate Action</li> </ul>	<ul style="list-style-type: none"> <li>Drip-proof enclosure design level 2</li> <li>Per MIL-PRF-22885/18</li> <li>Temperature Range: -67°F to +185°F (-55°C to +85°C)</li> <li>Operating Force: <math>2 \pm 1</math> lb (8.88N)</li> <li>Plunger travel: 0.160 in. (4.06mm) approx.</li> <li>Uses either M22885/19 screw type or snap-in type lenses per MIL-PRF-22885/99.</li> <li>Uses T-1-3/4 Midget Flange Base, Incandescent Lamp</li> </ul>	Part Number	Number of Poles	Type of Operation	28VDC			115VAC 60/400 Hz		
					Resistive	Inductive	Lamp	Resistive	Inductive	Lamp
		J20000	2	Alternate	2	1.5	0.5	2	1.5	0.5
		A20000	2	Momentary	2	1.5	0.5	2	1.5	0.5

## SELECTION TABLE

### APPROXIMATE DIMENSIONS

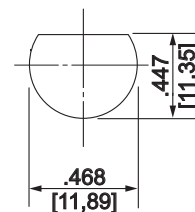
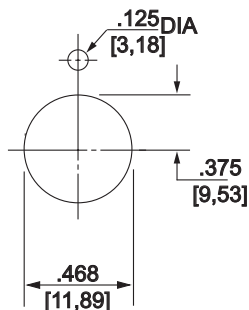
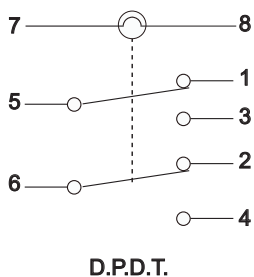
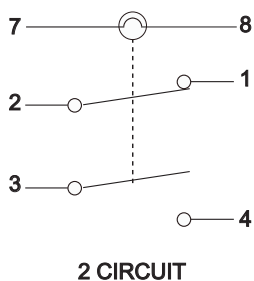


Catalog Number	Circuit	Lens Type	Detail Spec. Sheet
<b>Alternate Action</b>			
J20145	2 P.D.T.	Screw-in	M22885/18-02
J20149	2 Circuit		-04
J20152	2 P.D.T.	Snap-in	M22885/18-06
J20153	2 Circuit		-08
<b>Momentary Action</b>			
A20267	2 P.D.T.	Screw-in	M22885/18-01
A20271	2 Circuit		-03
A20272	2 P.D.T.	Snap-in	M22885/18-05
A20273	2 Circuit		-07

\*NOTE: Catalog number does not include lens shown above.

## SCHEMATIC DIAGRAMS - A20000 AND J20000

## RECOMMENDED PANEL MOUNTING HOLE DIMENSIONS



**STANDARD**  
0.00 = inches  
[0,0] = mm

Dimensions for reference only.

# Series - 8895-8897, 8899

# PUSHBUTTON SWITCHES Hand Controls with Pushbutton Switches

FEATURES	SPECIFICATIONS	CURRENT RATINGS							
<ul style="list-style-type: none"> <li>• High strength handles and caps</li> <li>• Control stick mounted on hand-held grips</li> <li>• Trigger-operated pushbutton switches in handle</li> <li>• Positive action, double break trigger switch</li> <li>• Auxiliary switch in cap on 8895K1</li> <li>• Catalog part numbers 8895 and 8896 mount to control stick</li> <li>• Catalog part number 8897 features a hand strap for multi-task capability</li> </ul>	<ul style="list-style-type: none"> <li>• High impact Thermoset molding materials used in handles and caps</li> <li>• Temperature Range: -67°F to +150°F (-55°C to +65°C)</li> <li>• Life: 10,000 operations at rated load 10,000 operations mechanical life</li> </ul>	28VDC			115VAC 60 or 400Hz				
		Catalog Number	Type of Operation	Resistive Load	Inductive Load	Lamp Load	Resistive Load	Inductive Load	Lamp Load
		8895K1	Trigger PB sw	40	35	5	30	20	3
			Auxiliary PB sw	20	15	1.5	11	11	1
		8896K1	Trigger PB sw	40	35	5	30	20	3
8897K1	Trigger PB sw	40	35	5	30	20	3		
8899K <sup>①</sup>	Pushbutton sw	10	5	3	—	—	—		

① Contact Customer Service for product information

## SELECTION TABLE



8896K1



8895K1



8897K1



8899

Type	Poles and Throw	Circuit Arrangement		Features	Government Drawing Number	Catalog Number
		Normal	Depressed			
Pistol Grip	1 P.S.T.	OFF	ON*	- With Auxiliary Switch With Hand Strap	NAF1173-1 NAF1173-2 NAF1174-1	8896K1 8895K1 8897K1

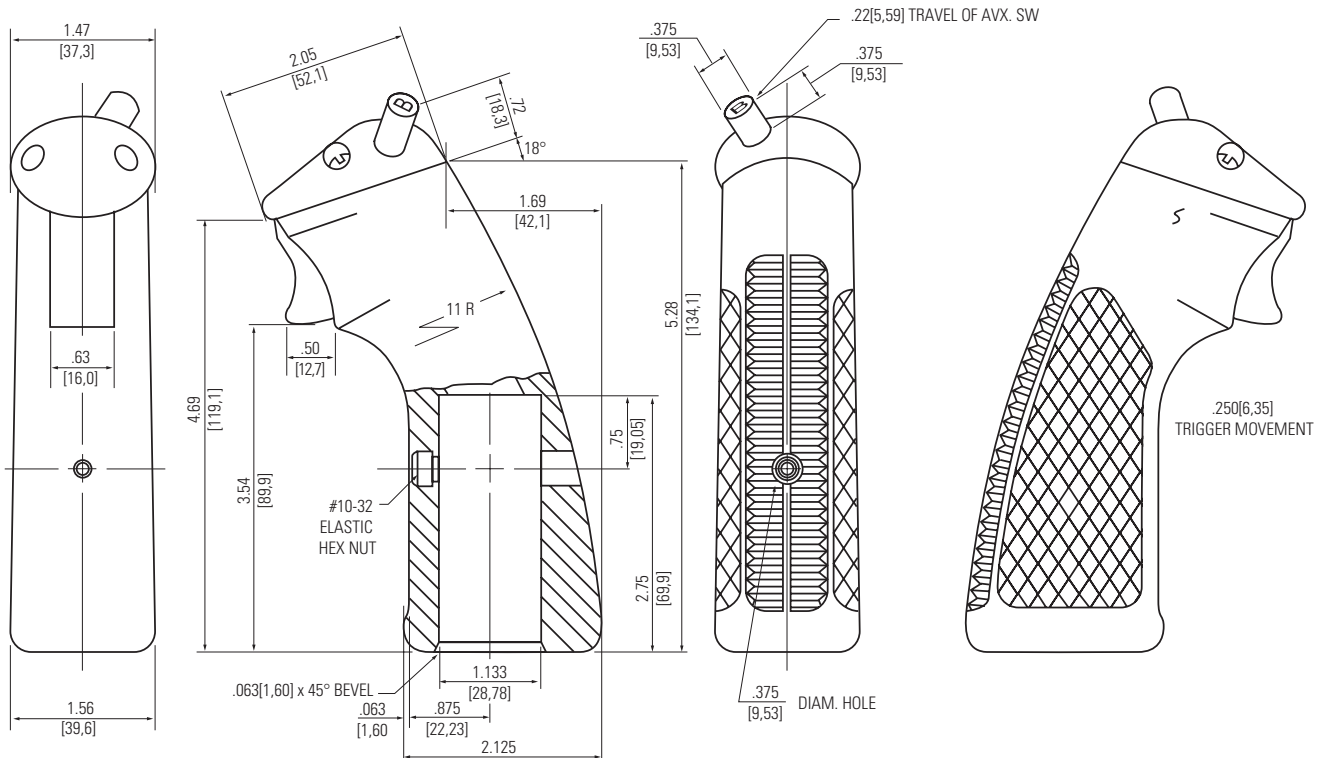
\*Momentary Contact

# PUSHBUTTON SWITCHES

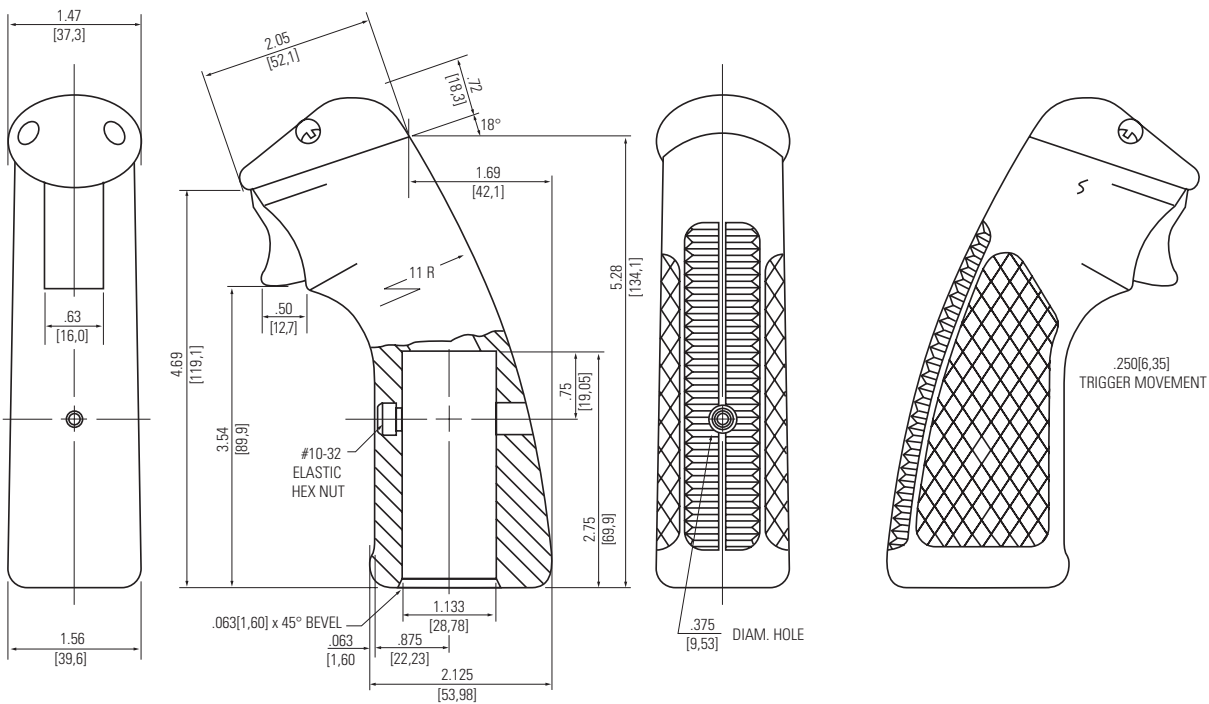
## Series - 8895-8897, 8899

# Hand Controls with Pushbutton Switches

### APPROXIMATE DIMENSIONS - 8895K1



### APPROXIMATE DIMENSIONS - 8896K1



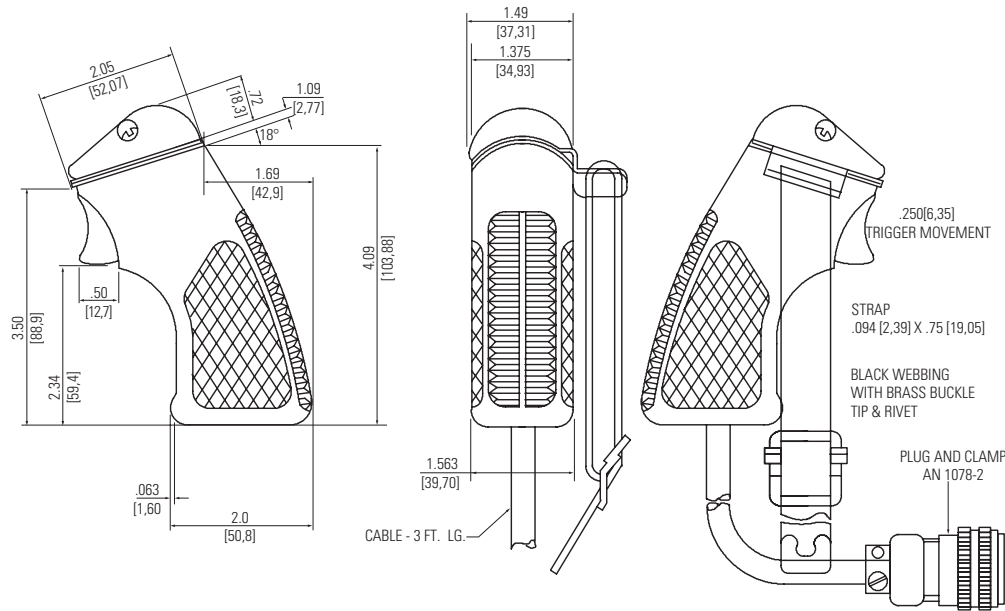
**STANDARD**  
 0.00 = inches  
 [0,0] = mm

Dimensions for reference only.

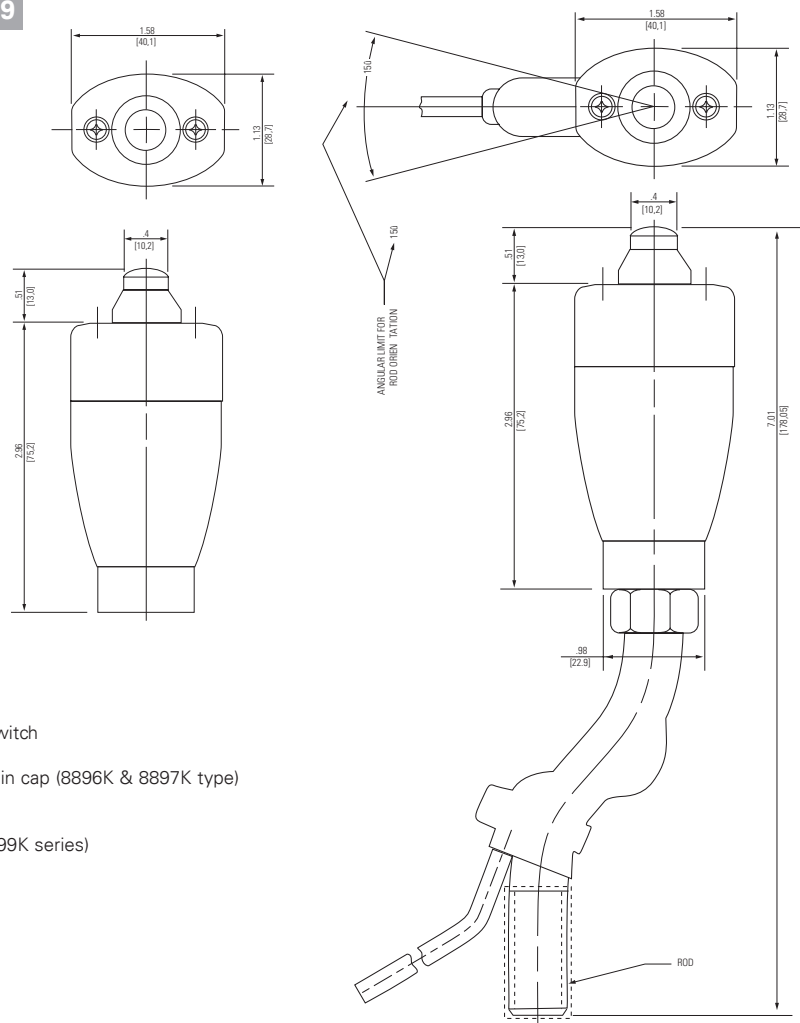
# Series - 8895-8897, 8899

# PUSHBUTTON SWITCHES Hand Controls with Pushbutton Switches

## APPROXIMATE DIMENSIONS - 8897



## APPROXIMATE DIMENSIONS - 8899



## OPTIONS/ACCESSORIES

- Replace trigger switch with sealed pushbutton switch
- Harness assemblies available
- Auxiliary toggle or pushbutton switches installed in cap (8896K & 8897K type)
- Multi-function switch variations
- Replacement components
- Joystick or hand-held configurations available (8899K series)

**STANDARD**  
0.00 = inches  
[0,0] = mm

Dimensions for reference only.

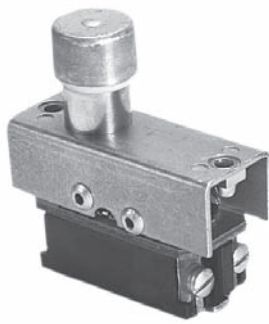
# PUSHBUTTON SWITCHES

## Series - 8870, 8809

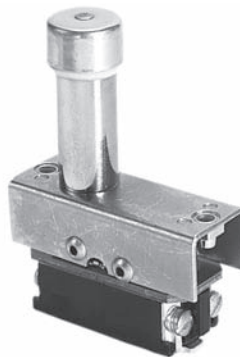
## Special Designed Pushbutton Switches

FEATURES	SPECIFICATIONS	CURRENT RATINGS						
		Catalog Number	28VDC			115VAC 60 or 400Hz		
<ul style="list-style-type: none"> <li>All switches employ momentary action</li> <li>Foot or hand operation designs</li> <li>Plunger has ice and mud scraper</li> <li>Mechanical lock on 8909K559</li> <li>Mechanical lock has spring loaded release design</li> <li>Logic to power switching load capability</li> </ul>	<ul style="list-style-type: none"> <li>MS approved and QPL'd to MIL-PRF-8805</li> <li>Temperature Range: -40°F to +185°F (-40°C to +85°C)</li> <li>Life: 20,000 operations at rated load 50,000 operations mechanical life</li> </ul>		Resistive Load	Inductive Load	Lamp Load	Resistive Load	Inductive Load	Lamp Load
		8870K2	25	10	4	15	75	2
		8870K3	25	10	4	15	75	2
		8870K4	25	10	4	15	75	2
		8870K5	25	10	4	15	75	2
8909K559	6	—	—	—	6	—	—	

### SELECTION TABLE



8870K2 & K4



8870K3 & K5



8909K559

Poles and Throw	Circuit Arrangement		Mounting	Features	Government Part Number	Catalog Number
	Normal	Depressed				
1 P.S.T.	OFF	ON*	Flush <sup>②</sup>	Microphone PB Switches Foot Operated	M8805/55-001 M8805/55-002 M8805/55-003 M8805/55-004	8870K2 8870K3 8870K4 8870K5
2 P.S.T.	OFF	ON*	Flush <sup>②</sup>	Roller Operated	—	8909K559 <sup>①</sup>

\* Momentary contact.

<sup>①</sup>Electrical life of 8909K559 is 12,000 operations.

<sup>②</sup> See page B25 for mounting data.

### OPTIONS/ACCESSORIES

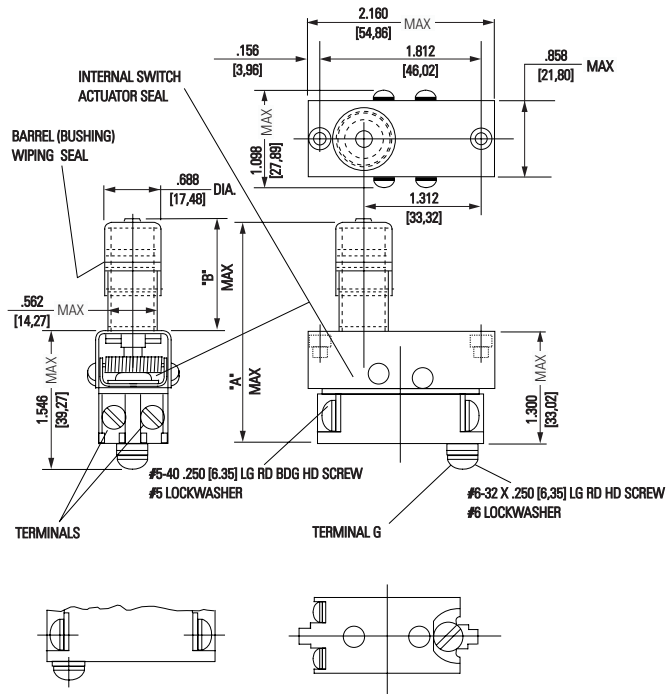
- Terminal screws furnished assembled
- Double throw contacts - 8870
- Special marking



# Series - 8870, 8809

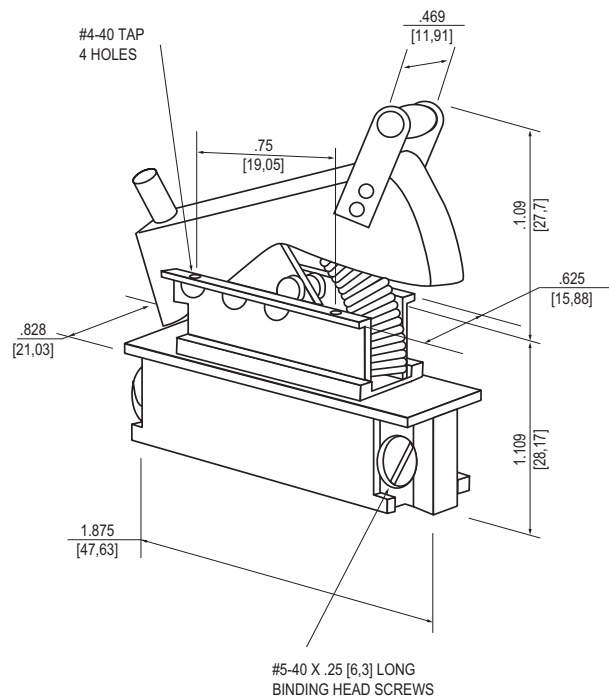
# PUSHBUTTON SWITCHES Special Designed Pushbutton Switches

## APPROXIMATE DIMENSIONS - 8870K2, K3, K4, K5



8870K5	2.968	1.660	6-32 UNC-2B
8870K4	2.218	.910	6-32 UNC-2B
8870K3	2.968	1.668	6-40 UNF-2B
8870K2	2.218	.910	6-40 UNF-2B
CAT.NO.	A	B	INSERT & NUT THREAD

## APPROXIMATE DIMENSIONS - 8909K559



### STANDARD


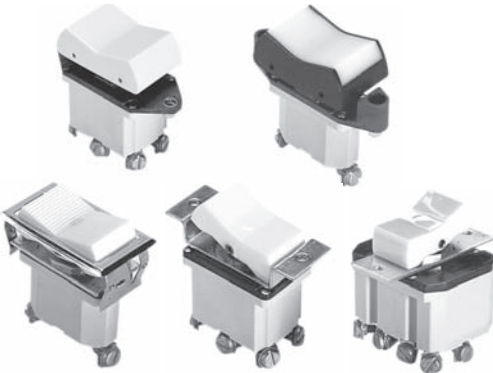
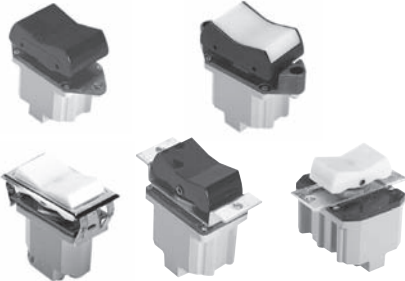

0.00 = inches

[0,0] = mm

Dimensions for reference only.

# NOTES

## SECTION C Rocker Switches Index

Index	C1
 <p><b>Illuminated Rocker Switches</b></p> <ul style="list-style-type: none"> <li>• Watertight seal per MIL-STD-108E</li> <li>• One and two pole arrangements</li> <li>• Standard rocker and locking style actuation</li> <li>• Switch is front panel mounted</li> <li>• Lamps can be wired with circuit or independently</li> <li>• Complete accessory package available</li> </ul>	<b>C2 - C8</b>
 <p><b>Econoswitch Rocker Switches</b></p> <ul style="list-style-type: none"> <li>• Watertight seal per MIL-STD-108E</li> <li>• Two styles - Pinned Rocker and Removable Rocker</li> <li>• Three types of panel mounting</li> <li>• Ratings at 28VDC and 115VAC 60/400 Hz</li> <li>• One, two and four pole arrangements</li> <li>• Multi-circuits</li> <li>• Terminal variations - screw, spade and solder lug</li> <li>• 2 &amp; 3 position with maintained and momentary action</li> </ul>	<b>C9 - C18</b>
 <p><b>Industrial Rocker Switches</b></p> <ul style="list-style-type: none"> <li>• Watertight seal per MIL-STD-108E</li> <li>• Three styles of panel mounting</li> <li>• Ratings at 28VDC and 115VAC 60/400 Hz</li> <li>• One, two and four pole arrangements</li> <li>• Multi-circuits</li> <li>• 2 &amp; 3 position with maintained and momentary action</li> <li>• Pinned rocker actuation furnished in opaque colors</li> </ul>	<b>C19 - C21</b>
 <p><b>Military Rocker Switches</b></p> <ul style="list-style-type: none"> <li>• Environmentally sealed per MIL-DTL-3950</li> <li>• MS approved and QPL listed per MIL-DTL-3950</li> <li>• One, two and four pole arrangements</li> <li>• Two panel mounting variations</li> <li>• Multi-circuits</li> <li>• Ratings at 28VDC and 115VAC 60/400 Hz</li> <li>• Removable rocker button</li> <li>• Variety of opaque colored Actuator</li> </ul>	<b>C22 - C25</b>
<p><b>Ratings and Circuit Arrangements</b></p>	<b>C26 - C31</b>

*\*Most items listed in this catalog are standard products and are normally in Distributor Inventory; however, the current inventory status should be checked by contacting your Labinal Power Systems Customer Service Representative at 800-955-7354 or your authorized Distributor before placing orders.*

# "ILLUMINATER™ " SERIES SEALED ROCKER SWITCHES

## DESCRIPTION

The new Illuminater series of front panel mounted rocker switches are sealed to meet the watertight requirements of MIL-STD-108E. Product variations are with standard or locking rocker Actuator, and single or double pole switching with multi-circuits. A variety of accessory items are also available. This product is ideally suited for use in harsh environmental applications.

## DESIGN FEATURES

- Front panel mounted
- Totally sealed switching chamber
- Various circuit variations
- Keyed assembly - actuator to bezel and base to connector
- Removable rocker button
- One or two lamp capability
- Full size clear lens with non-glare surface
- Icons located beneath lens surface (high wearability)
- Diffusion lens alters icon background lighting
- Minimum light leakage
- Various locking styles available
- Matte black textured finish on bezel/actuator
- Molded-in terminal identification
- Molded-in orientation mark

## SPECIFICATIONS

- Watertight per MIL-STD-108E
- Temperature range: -40°F to +160°F (-40°C to +71°C)
- Dielectric strength 1800 V RMS @ sea level
- Life: 50,000 cycles min. electrical; 100,000 cycles min. mechanical
- Silver plated contact - standard
- Flame retardant thermoplastic bezel and base
- Stainless steel mounting clips



## ACCESSORIES

- Indicator light assembly (see page C7)
- Filler plug (see page C6)
- Connector (see page C7)
- Gang mounting system

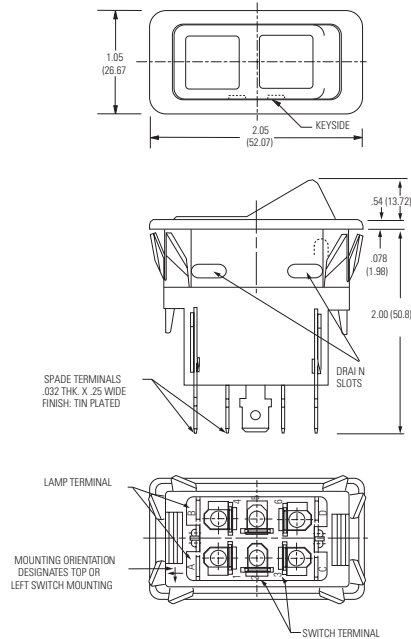
## OPTIONS

- Non-illuminated switch
- Gold plated contacts

# "ILLUMINATER™" SERIES ENGINEERING DATA

SINGLE POLE ELECTRICAL RATINGS							DOUBLE POLE ELECTRICAL RATINGS						
Type of Operation	6 & 14VDC			28VDC			Type of Operation	6 & 14VDC			28VDC		
	Resistive Load	Inductive Load	Lamp Load	Resistive Load	Inductive Load	Lamp Load		Resistive Load	Inductive Load	Lamp Load	Resistive Load	Inductive Load	Lamp Load
Maintained	25	15	75	20	15	5	Maintained	30	20	10	20	15	7
Momentary	20	10	6	15	10	4	Momentary	25	15	75	18	10	5

## DIMENSIONS



W/O Panel Seal

Note: For recommended panel cutout dimensions, see page C7.

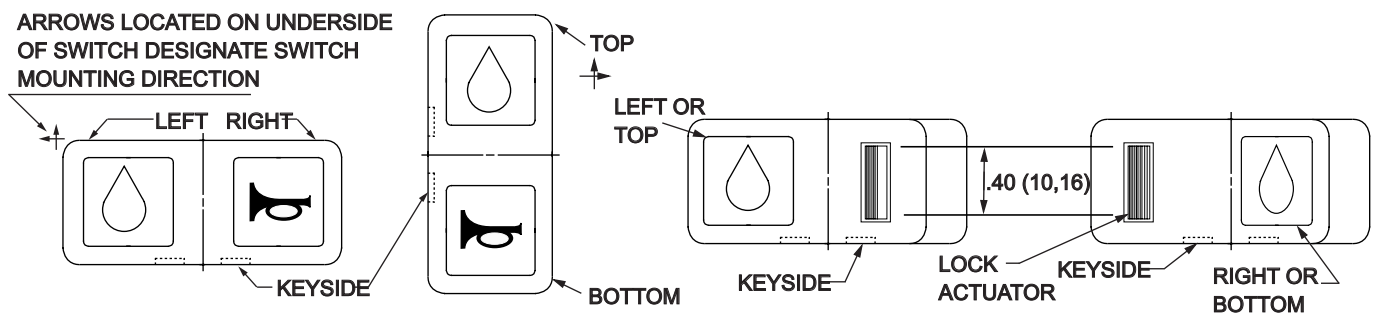


FIGURE 1  
Horizontal Mount

FIGURE 2  
Vertical Mount

FIGURE 3  
Locking Actuator Styles 4, 5, Y, & T

FIGURE 4  
Locking Actuator Styles 6, 7, W, & S

# "ILLUMINATER™ " SERIES PART NUMBERING SYSTEM

### ACTUATOR STYLE (See Page C3, Figs 1-4)

Code	Style
1	(1) Lens Top or Left
2	(1) Lens Bottom or Right
3	(2) Lenses
4	Lock in both End Positions w/ Lens (or Plain Surface) Top or Left
5	Lock in Center Position w/ Lens (or Plain Surface) Top or Left
6	Lock in Both End Positions w/ Lens (or Plain Surface) Bottom or Right
7	Lock in Center Position w/Lens (or Plain Surface) Bottom or Right
A	Plain Rocker Button (No Lenses)
S	Lock in (1) End Position w/ Lens (or Plain Surface) Bottom or Right (Lens or Plain Surface Locked in "UP" Position)
T	Lock in (1) End Position w/ Lens (or Plain Surface) Top or Left (Lens or Plain Surface Locked in "UP" Position)
W	Lock in (1) End Position w/ Lens (or Plain Surface) Bottom or Right (Lens or Plain Surface Locked Actuated Position)
Y	Lock in (1) End Position w/ Lens (or Plain Surface) Top or Left (Lens or Plain Surface Locked Actuated Position)

### ICON (Location - Top or Left "only")

(See Page C8 for Icon Selection Table)

Code	Function
DF	Oil

(Code "ZZ" = No Icon)

### ICON (Location - Bottom or Right "only")

(See Page C8 for Icon Selection Table)

Code	Function
BF	Horn

(Code "ZZ" = No Icon)

### DIFFUSION LENS COLOR

(Location - Top or Left "only")

Code	Color
0	None
1	Amber
2	Blue
3	Green
4	Red
5	White
6	Clear

### DIFFUSION LENS COLOR

(Location - Bottom or Right "only")

Code	Color
0	None
1	Amber
2	Blue
3	Green
4	Red
5	White
6	Clear

### BAFFLE

(Light Intensity Deflector)

Code	Color
A	(1) Top or Left
B	(1) Bottom or Right
C	(2) Baffles
Z	None

### ACTUATOR MOUNTING POSITION & COLOR

Code	Orientation
F	Optional / Black (Plain Actuator no Lenses)
H	Horizontal / Black
V	Vertical / Black

**B 01 A 5 J H 3 DF 2 ZZ 3 Z = B01A5JH3DF2ZZ3Z**

### NO. OF POLES

Code	Selection
A	Single
B	Double

### OPTIONAL FEATURES

Code	Option
A	Silver Contacts
G	Gold Contacts

### ROCKER TYPE

Code	Type
5	Illuminated
6	Non - Illuminated
7	Locking Feature Illuminated
8	Locking Feature Non-Illuminated

### LAMP SELECTION

Code	Voltage	No. Lamps	Location
D	14VDC	1	Top or Left
E	14VDC	1	Bottom or Right
F	14VDC	2	Both Locations
G	28VDC	1	Top or Left
H	28VDC	1	Bottom or Right
J	28VDC	2	Both Locations
K	SeeⓄ	1	Top or Left
L	SeeⓄ	1	Bottom or Right
M	SeeⓄ	2	Both Locations
Z			Non - Illuminating

### CIRCUIT ARRANGEMENT

Code	Top			Available Locking Configuration	Code	Bottom			Available Locking Configuration
	or Left	Center	or Right			or Left	Center	or Right	
01	On	Off	On	4,5,6,7,Y,T,S	* 15	On	On	Mom On	5,7,Y,S
02	Mom On	Off	Mom On	5,7	* 16	Mom On	On	Mom On	5,7
03	On	Off	Mom On	5,7,Y,S	50	Mom On	Off	On	5,7,W,T
04	On	None	On	4,6,Y,W,T,S,	51	Mom On	None	On	W,T
05	On	None	Mom On	Y,S	52	None	Off	On	7,W
06	On	Off	None	5,Y	53	Mom On	Off	None	5
07	None	Off	Mom On	7	54	None	Mom Off	On	W
08	On	Mom Off	None	Y	55	Off	None	On	4,6,Y,W,T,S
09	On	None	Off	4,6,Y,W,T,S	56	Mom Off	None	On	W,T
10	On	None	Mom Off	Y,S	57	Mom On	None	Off	W,T
11	Off	None	Mom On	Y,S	58	None	On	Mom On	7
12	Mom On	On	None	5	59	None	On	On	7,W
13	On	On	None	5,Y	* 60	Mom On	On	On	5,7,W,T
* 14	On	On	On	4,5,6,7,Y,W,T,S					

\* Double pole switches only

Ⓞ Furnished without lamps. Provisions for lamp available as indicated under location.

### PART NUMBER WORKSHEET

No. of Poles	Circuit Arrangement	Bezel Color	Bezel Style	Lamp Selection	Mounting Position	Actuator Style	Icon - Top or Left	Diffusion Lens Color	Icon - Bottom or Right	Diffusion Lens Color	
B	01	A	5	J	H	3	DF	2	ZZ	3	Z

# "ILLUMINATER™ " SERIES INDICATOR AND ACCESSORIES

## DESCRIPTION

Along with this new line of illuminated rocker switches, we also offer a line of accessories. General styling and appearance match those of the basic switch, with design features as stated.

## DESIGN FEATURES

### Indicator

- Front panel mounted
- Keyed assembly
  - indicator lens assembly to bezel
  - connector to bezel superstructure
- Removable indicator lens assembly
- One or two lamp capability
- Full size clear lens with non-glare surface
- Icons located beneath lens surface
- Diffusion lens alters icon background lighting
- Matte black textured finish on indicator assembly
- Molded-in terminal identification
- Molded-in orientation mark

## SPECIFICATIONS / MATERIALS

- Temperature range: -40°F to +160°F (-40°C to +71°C)
- Flame retardant thermoplastic bezel and base
- Stainless steel mounting clips



## OTHER ACCESSORIES

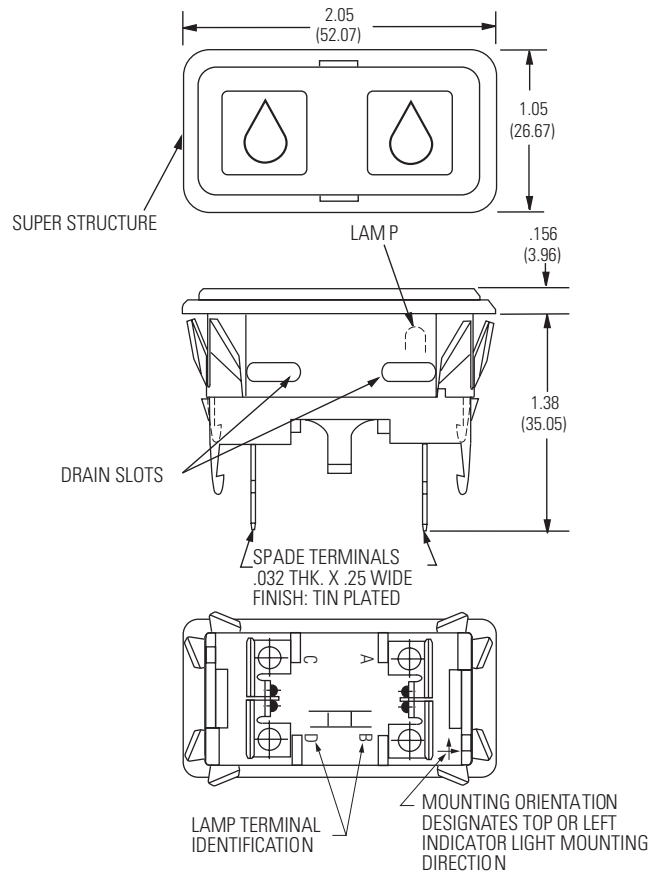
- Connector (see page C7)

## FILLER PLUG

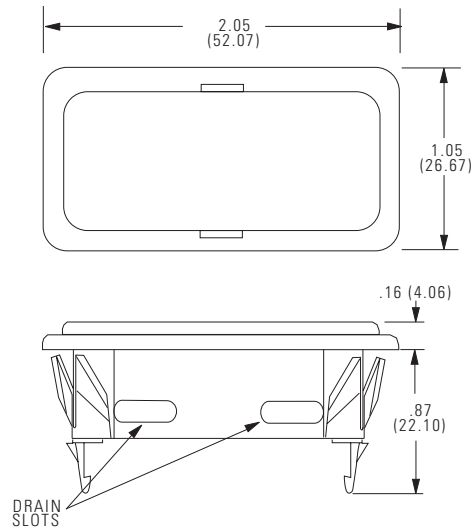
- Front panel mounted
- Accepts - connector/harness assembly
- Matte black textured finish

# "ILLUMINATER™ " SERIES INDICATOR AND ACCESSORIES ENGINEERING DATA

## INDICATOR



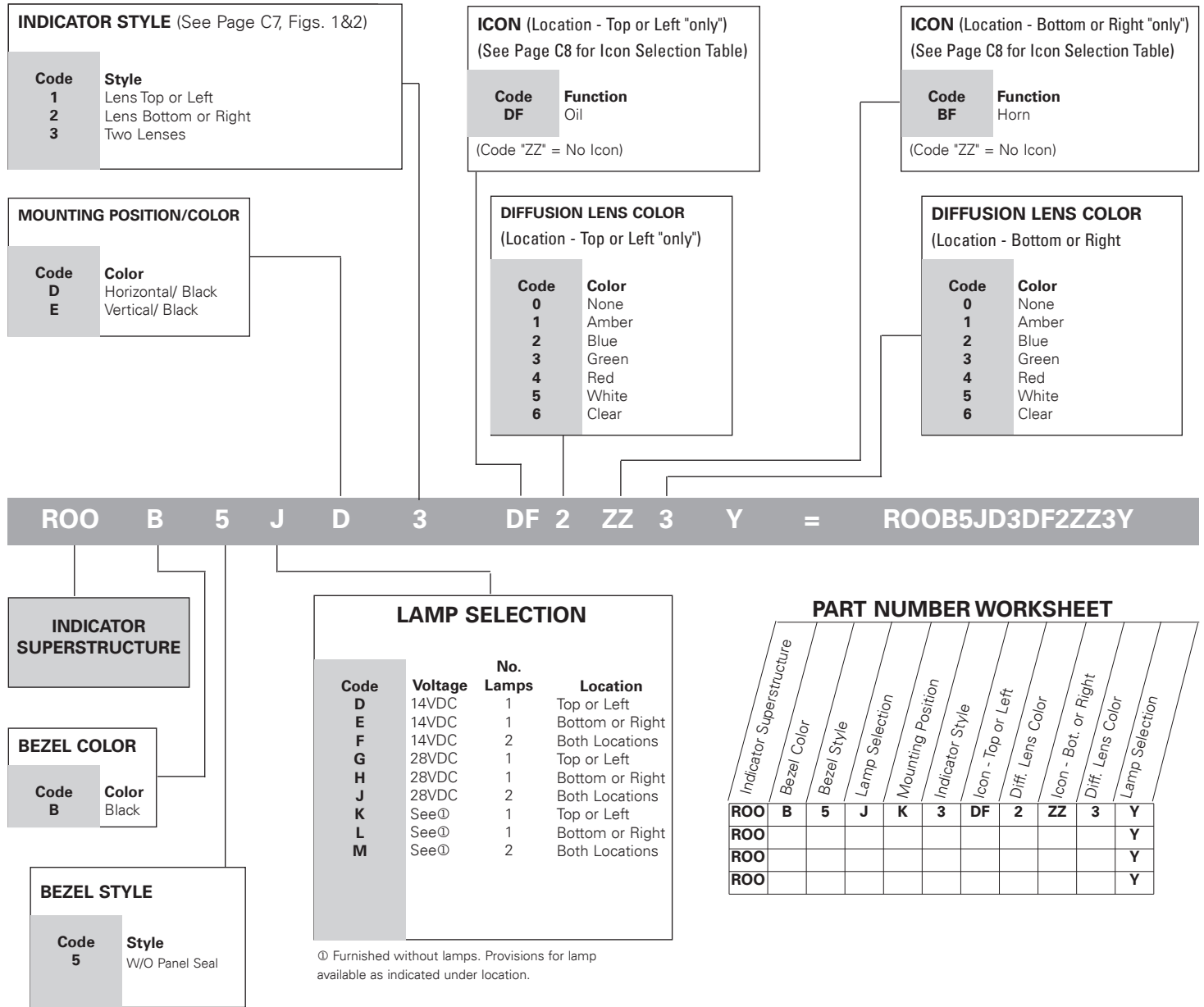
## FILLER PLUG - P/N P24010



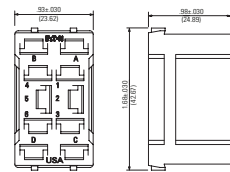
Note: For recommended panel cutout dimensions, see page C7.



# "ILLUMINATOR™" SERIES INDICATOR PART NUMBERING SYSTEM



## ACCESSORY ITEM      INDICATOR STYLE      RECOMMENDED PANEL CUTOUT



Connector Shell P/N 17-19388.

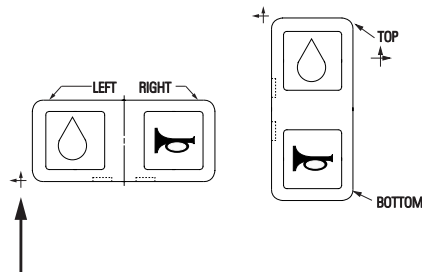
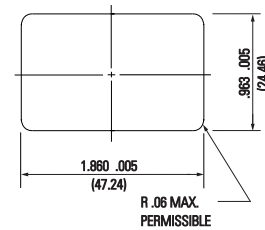


Figure 1  
Horizontal Mount.

Figure 2  
Vertical Mount







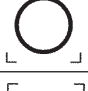



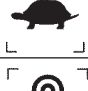














Mounting orientation shown on bottom of base designates top or left indicator light mounting direction.

## DIMENSIONS AND PANEL THICKNESS



Recommended Metal Panel Thickness  
.040 (1.02) to .140 (3.56)

# "ILLUMINATER™ " SERIES ICON SELECTION TABLE

Code		Description	SAE Spec. No. J1632	Code		Description	SAE Spec. No. J1632
-DF		Oil	1056	-AX		Headlights - High/Upper Beam	0082
-CW		Level Indicator	0159	-AY		Headlights - Low/Dipped Beam	0083
-DG		Temperature	0034	-AZ		Work Light	1204
-DA		On/Start	5007	-DK		Parking Lights	0240
-DB		Off/Stop	5008	-CJ		Hazard Warning Lights	0085
-BF		Horn	0244	-BB		Interior Dome Light	1421
-BT		Fast	None	-BC		Beacon	1141
-BV		Slow	None	-DL		Turn Signals	0084
-CN		Lock	1656	-DM		Front Fog Lights	0633
-CR		Unlock	None	-CE		Rear Fog Lights	0634
-DH		Rearward Moving Machine Alarm	None	-BA		Instrument Illumination	1556
-DJ		Rearward Moving Machine Alarm-CANCEL	None	-BG		Windshield-Wiper	0086
-BU		Engine-Basic Symbol	1156	-BH		Windshield Washer	0088
-CK		Engine-Electrical Preheat (Low Temperature Start Aid)	1704	-CU		Windshield - Washer & Wiper	0087
-AJ		Engine-Gas Injection (Low Temperature Start Aid)	1547	-BJ		Rear Window - Wiper	0097
-BZ		Transmission-Basic Symbol	1166	-BK		Rear Window - Washer	0099
-BL		Fuel or Fuel System Basic Symbol	0245	-DN		Rear Window - Washer & Wiper	0098
				-AA		Heater/Interior Heating	0637
				-BE		Air Conditioning/Cooling System	0027
				-BD		Ventilating/Air Circulating Fan	0089

Typical icons illustrated are per SAE Pub No.s: J-107, J-1048, and J-1449. Additional icons are available upon request.

**Note: If no icon is required, enter code "ZZ".**

# Series - 8551, 8552, 8553

# ECONOSWITCH SEALED ROCKER SWITCHES Econoswitch Sealed Rocker Switches With Removable Rocker Button (RB Series)

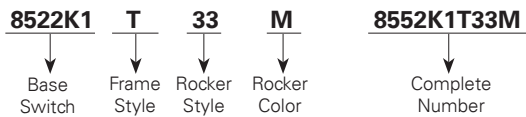
FEATURES	SPECIFICATIONS	CURRENT RATINGS
----------	----------------	-----------------

- |  |   |  |
|--|---|--|
| <ul style="list-style-type: none"> <li>Environmentally sealed</li> <li>1, 2 and 4 pole circuitry</li> <li>2 &amp; 3 position with maintained and momentary action</li> <li>Rocker button is removable for decal or icon interchangeability</li> <li>Multi-circuits</li> <li>Three types of termination offered as standard</li> <li>Rocker button variations                             <ul style="list-style-type: none"> <li>Smooth and serrated in opaque colors</li> <li>Transparent</li> <li>Translucent</li> </ul> </li> <li>Panel mounting variations                             <ul style="list-style-type: none"> <li>Flush panel</li> <li>Sub panel</li> </ul> </li> </ul> | <ul style="list-style-type: none"> <li>Watertight per MIL-STD-108E and designed to meet IP68</li> <li>UL recognized and CSA certified</li> <li>Base compression seal</li> <li>Temperature Range: -50°F to +150°F (-46°C to +66 °)</li> <li>Life: 50,000 operations at rated load<br/>100,00 operations mechanical life</li> <li>Three standard types of terminals                             <ul style="list-style-type: none"> <li>Screw 6-32" UNC-2A</li> <li>Solder lug .125 [3,17] dia. hole</li> <li>Spade .250 [6,35]x.032 [0,81] thick</li> </ul> </li> </ul> |  |
|--|---|--|

### WHEN ORDERING SPECIFY

\* Catalog number of base switch followed by suffix letters and numbers for mounting bracket, rocker color and style as listed in selection table.

Order Example:



Sub-Panel Style



Flush Panel Style

### SELECTION TABLE

CIRCUIT WITH LEVER IN . . .			BASE CATALOG NUMBER <sup>②</sup>			SUFFIX NUMBERS & LETTERS - ADD TO BASE CATALOG NUMBER					
Up Position	Center Position	Down Position (ID lug) <sup>①</sup>				MOUNTING BRACKET		ROCKER STYLE <sup>③</sup>		ROCKER COLOR	
			Screw Terminals	Solder Terminals	Spade Terminals	Frame Style	Code Letter	Style	Code No.	Color	Code Letter
<b>One Pole</b>											
ON	OFF	ON	8551K1	8551K91	8551K31						
ON	NONE	OFF	K9	K99	K39					White	M
ON	NONE	ON	K4	K94	K34						
ON	OFF	NONE	K6	K96	K36						
ON	NONE	ON*	K5	K95	K35						
* ON	OFF	ON*	K2	K92	K32						
NONE	OFF	ON*	K7	K97	K37						
ON	NONE	OFF*	K10	K910	K310	Flush Panel	T	Serrated	32	Red	T
OFF	NONE	ON*	K11	K911	K311						
ON	OFF	ON*	K3	K93	K33						
* ON	ON	NONE	K12	K912	K312						
ON	ON	NONE	K13	K913	K313					Black	V
<b>Two Pole</b>											
ON	OFF	ON	8552K1	8552K91	8552K31						
ON	NONE	OFF	K9	K99	K39						
ON	NONE	ON	K4	K94	K34						
ON	OFF	NONE	K6	K96	K36						
ON	NONE	ON*	K5	K95	K35						
* ON	OFF	ON*	K2	K92	K32	Sub-Panel	W	Smooth	33	Translucent	L
NONE	OFF	ON*	K7	K97	K37						
ON	NONE	OFF*	K10	K910	K310						
OFF	NONE	ON*	K11	K911	K311						
ON	OFF	ON*	K3	K93	K33					Transparent	P
* ON	ON	NONE	K12	K912	K312						
ON	ON	NONE	K13	K913	K313						
ON	ON	ON	K14	K914	K314						
ON	ON	ON*	K15	K915	K315						
* ON	ON	ON*	K16	K916	K316						

\* Momentary Contact.

① Identification lug side.

② Incomplete catalog number: add suffix letters and numbers for Mounting Brackets, Rocker Style & Color




③ Other Rocker Styles available

# ECONOSWITCH SEALED ROCKER SWITCHES

Series - 8551, 8552, 8553

## Econoswitch Sealed Rocker Switches With Removable Rocker Button (RB Series)

### SELECTION TABLE, CONT.

CIRCUIT WITH LEVER IN . . .			BASE CATALOG NUMBER <sup>②</sup>			SUFFIX NUMBERS & LETTERS - ADD TO BASE CATALOG NUMBER					
Up Position	Center Position	Down Position (ID lug) <sup>①</sup>	Screw Terminals	Solder Terminals	Spade Terminals	MOUNTING BRACKET		ROCKER STYLE <sup>③</sup>		ROCKER COLOR	
						Frame Style	Code Letter	Style	Code No.	Color	Code Letter
<b>Four Pole</b>											
ON	OFF	ON	8553K1	8553K91	8553K31					White	M
ON	NONE	OFF	K9	K99	K39	Flush Panel	T	Serrated	32	Red	T
ON	NONE	ON	K4	K94	K34						
ON	OFF	NONE	K6	K96	K36						
ON	NONE	ON*	K5	K95	K35						
* ON	OFF	ON*	K2	K92	K32						
NONE	OFF	ON*	K7	K97	K37	Sub-Panel	W	Smooth	33	Black	V
ON	NONE	OFF*	K10	K910	K310						
OFF	NONE	ON*	K11	K911	K311						
ON	OFF	ON*	K3	K93	K33						
* ON	ON	NONE	K12	K912	K312						
ON	ON	NONE	K13	K913	K313					Translucent	L
ON	ON	ON	K15	K915	K315					Transparent	P
ON	ON	ON*	K16	K916	K316						
* ON	ON	ON*	K17	K917	K317						

**\* Momentary circuit.**

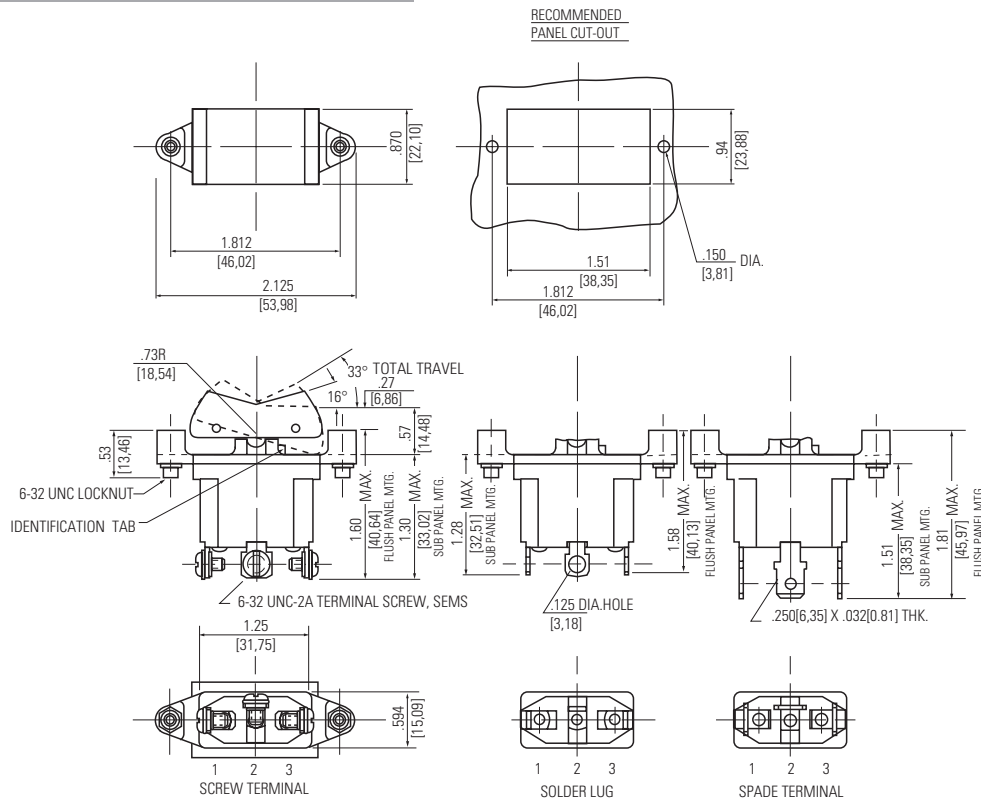
See pages C26-C27 and C29-C31 for circuit diagrams.

① Identification lug side.

② Incomplete catalog number: add suffix letters and numbers for Mounting Brackets, Rocker Style & Color

③ Other Rocker Styles available

### MOUNTING DIMENSIONS - ONE POLE / 8551



**STANDARD**  
0.00 = inches  
[0,0] = mm

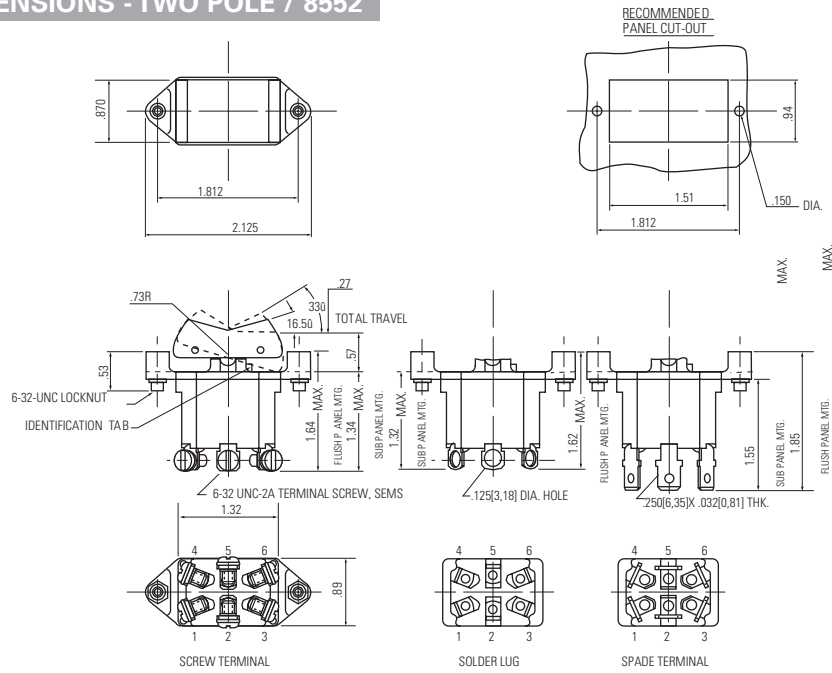
Dimensions for reference only.

# ECONOSWITCH SEALED ROCKER SWITCHES

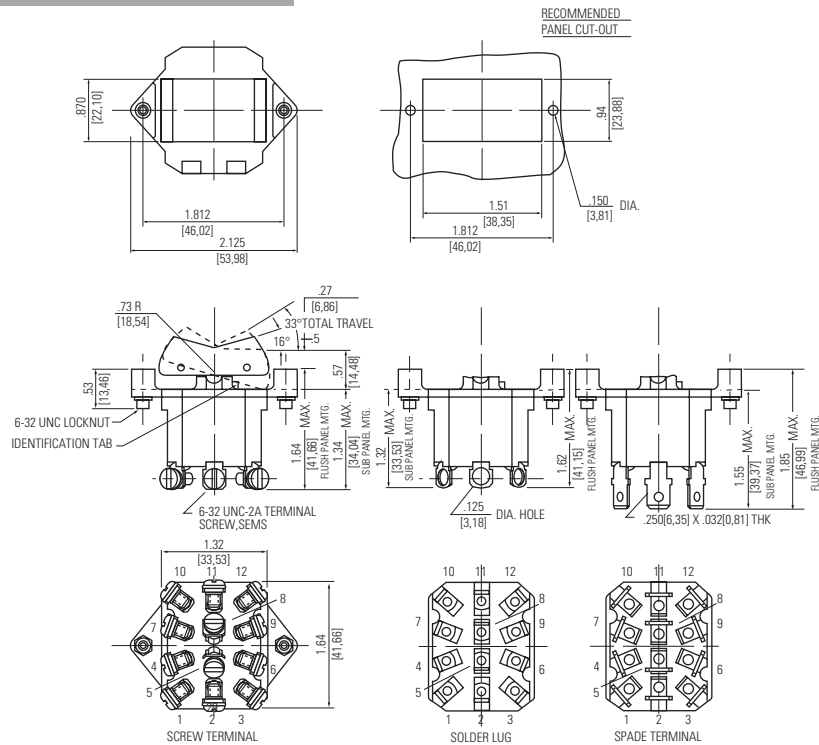
## Econoswitch Sealed Rocker Switches With Removable Rocker Button (RB Series)

Series - 8551, 8552, 8553

### MOUNTING DIMENSIONS - TWO POLE / 8552



### MOUNTING DIMENSIONS - FOUR POLE / 8553



#### STANDARD

0.00 = inches

[0,0] = mm

Dimensions for reference only.

# ECONOSWITCH SEALED ROCKER SWITCHES

Series - 8551, 8552, 8553

## Econoswitch Sealed Rocker Switches With Removable Rocker Button (RB Series)

### OPTIONS/ACCESSORIES

- Special color rockers
- Hot stamped lettering on rockers - smooth rockers only
- Special marking on switches
- Optional Actuator
- Gold plated contacts

### REPLACEMENT SMOOTH BUTTON SELECTION TABLE

<b>Color</b>	<b>Part Number</b>
White	53-2161-2
Red	53-2161-3
Black	53-2161-4
Translucent	53-2415
Transparent	53-2161-6

# ECONOSWITCH SEALED ROCKER SWITCHES

## Econoswitch Sealed Rocker Switches

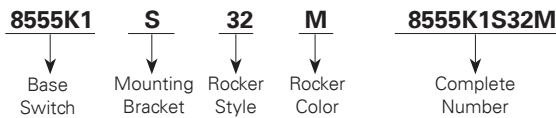
Series - 8554, 8555, 8556

FEATURES		SPECIFICATIONS		CURRENT RATINGS																																																																			
<ul style="list-style-type: none"> <li>Environmentally sealed</li> <li>1, 2 and 4 pole circuitry</li> <li>2 &amp; 3 position with maintained and momentary action</li> <li>Pinned rocker button</li> <li>Rocker button style and color variations</li> <li>Multi-circuits</li> <li>Thermoplastic rocker buttons in opaque colors (serrated and smooth face)</li> <li>Panel mounting variations                             <ul style="list-style-type: none"> <li>Flush panel</li> <li>Sub-panel</li> <li>Snap-in</li> </ul> </li> </ul>	<ul style="list-style-type: none"> <li>Watertight per MIL-STD-108E and designed to meet IP68</li> <li>UL recognized and CSA certified</li> <li>Temperature range: -50°F to +150°F (-46°C to +66°C)</li> <li>Life: 50,000 operations at rated load 100,000 operations mechanical life</li> <li>Three standard types of terminals                             <ul style="list-style-type: none"> <li>Screw 6-32 UNC-2A</li> <li>Solder lug .125 [3,17] dia. hole</li> <li>Spade .250 [6,35] x .032 [0.82] thick</li> </ul> </li> </ul>	<table border="1"> <thead> <tr> <th rowspan="2">No. of Poles</th> <th rowspan="2">Catalog Number</th> <th rowspan="2">Type of Operation</th> <th colspan="3">28VDC</th> <th colspan="3">115VAC 60 or 400Hz</th> </tr> <tr> <th>Resistive Load</th> <th>Inductive Load</th> <th>Lamp Load</th> <th>Resistive Load</th> <th>Inductive Load</th> <th>Lamp Load</th> </tr> </thead> <tbody> <tr> <td rowspan="2">1</td> <td rowspan="2">8554</td> <td>Maintained</td> <td>20</td> <td>15</td> <td>5</td> <td>15</td> <td>10</td> <td>3</td> </tr> <tr> <td>Momentary</td> <td>15</td> <td>10</td> <td>4</td> <td>11</td> <td>7</td> <td>2</td> </tr> <tr> <td rowspan="2">2</td> <td rowspan="2">8555</td> <td>Maintained</td> <td>20</td> <td>15</td> <td>7</td> <td>15</td> <td>15</td> <td>4</td> </tr> <tr> <td>Momentary</td> <td>18</td> <td>10</td> <td>5</td> <td>11</td> <td>8</td> <td>2</td> </tr> <tr> <td rowspan="2">4</td> <td rowspan="2">8556</td> <td>Maintained</td> <td>20</td> <td>12</td> <td>5</td> <td>15</td> <td>15</td> <td>4</td> </tr> <tr> <td>Momentary</td> <td>18</td> <td>10</td> <td>4</td> <td>11</td> <td>8</td> <td>2</td> </tr> </tbody> </table>	No. of Poles	Catalog Number	Type of Operation	28VDC			115VAC 60 or 400Hz			Resistive Load	Inductive Load	Lamp Load	Resistive Load	Inductive Load	Lamp Load	1	8554	Maintained	20	15	5	15	10	3	Momentary	15	10	4	11	7	2	2	8555	Maintained	20	15	7	15	15	4	Momentary	18	10	5	11	8	2	4	8556	Maintained	20	12	5	15	15	4	Momentary	18	10	4	11	8	2	<p>Note: See page C28 for UL and CSA current ratings.</p>					
						No. of Poles	Catalog Number	Type of Operation	28VDC			115VAC 60 or 400Hz																																																											
Resistive Load	Inductive Load	Lamp Load	Resistive Load	Inductive Load	Lamp Load																																																																		
1	8554	Maintained	20	15	5	15	10	3																																																															
		Momentary	15	10	4	11	7	2																																																															
2	8555	Maintained	20	15	7	15	15	4																																																															
		Momentary	18	10	5	11	8	2																																																															
4	8556	Maintained	20	12	5	15	15	4																																																															
		Momentary	18	10	4	11	8	2																																																															

### WHEN ORDERING SPECIFY . . .

• Catalog number of base switch followed by suffix letters and numbers for mounting bracket, rocker color and style as listed in selection table.

Order Example:



One Pole Snap-in Bezel Mounting



Two Pole Flush Panel Mounting



Four Pole Sub-Panel Mounting

### SELECTION TABLE

CIRCUIT WITH LEVER IN . . .			BASE CATALOG NUMBER <sup>Ⓞ</sup>			SUFFIX NUMBERS & LETTERS - ADD TO BASE CATALOG NUMBER													
Up Position	Center Position	Down Position (Keyway)	Screw Terminals	Solder Terminals	Spade Terminals	MOUNTING BRACKET			ROCKER STYLE		ROCKER COLOR								
						Frame Style	Mounting Holes	Code Letter	Style	Code No.	Color	Code Letter							
<b>One Pole</b>																			
ON	OFF	ON	8554K1	8554K91	8554K31	Sub-Panel Mounting-Clearance Holes	0.152	R											
ON	NONE	OFF	K9	K99	K39														
ON	NONE	ON	K4	K94	K34														
ON	OFF	NONE	K6	K96	K36														
ON	NONE	ON*	K5	K95	K35														
* ON	OFF	ON*	K2	K92	K32														
NONE	OFF	ON*	K7	K97	K37														
ON	NONE	OFF*	K10	K910	K310														
OFF	NONE	ON*	K11	K911	K311														
ON	OFF	ON*	K3	K93	K33														
* ON	ON	NONE	K12	K912	K312	Sub-Panel Mounting-Tapped Holes	6-32 UNC-2B	W	Serrated	32	White	M							
ON	ON	NONE	K13	K913	K313														
ON	ON	ON	K14	K914	K314														
ON	ON	ON*	K15	K915	K315														
* ON	ON	ON*	K16	K916	K316														
ON	ON	ON	K17	K917	K317														
ON	ON	ON*	K18	K918	K318														
* ON	ON	ON*	K19	K919	K319														
<b>Two Pole</b>																			
ON	OFF	ON	8555K1	8555K91	8555K31								Flush Panel Mounting-Clearance Holes	0.152	S				Black
ON	NONE	OFF	K9	K99	K39														
ON	NONE	ON	K4	K94	K34														
ON	OFF	NONE	K6	K96	K36														
ON	NONE	ON*	K5	K95	K35														
* ON	OFF	ON*	K2	K92	K32														
NONE	OFF	ON*	K7	K97	K37														
ON	NONE	OFF*	K10	K910	K310														
OFF	NONE	ON*	K11	K911	K311														
ON	OFF	ON*	K3	K93	K33														
* ON	ON	NONE	K12	K912	K312	Flush Panel Mounting-Tapped Holes	6-32 UNC-2B	T	Smooth	33	Red	T							
ON	ON	NONE	K13	K913	K313														
ON	ON	ON	K14	K914	K314														
ON	ON	ON*	K15	K915	K315														
* ON	ON	ON*	K16	K916	K316														
ON	ON	ON	K17	K917	K317														
ON	ON	ON*	K18	K918	K318														
* ON	ON	ON*	K19	K919	K319														
<b>One Pole</b>																			
ON	OFF	ON	8556K1	8556K91	8556K31								Snap-in Bezel Mounting	—	X				
ON	NONE	OFF	K9	K99	K39														
ON	NONE	ON	K4	K94	K34														
ON	OFF	NONE	K6	K96	K36														
ON	NONE	ON*	K5	K95	K35														
* ON	OFF	ON*	K2	K92	K32														
NONE	OFF	ON*	K7	K97	K37														
ON	NONE	OFF*	K10	K910	K310														
OFF	NONE	ON*	K11	K911	K311														
ON	OFF	ON*	K3	K93	K33														




\* Momentary Contact.

# ECONOSWITCH SEALED ROCKER SWITCHES

Series - 8554, 8555, 8556

Econoswitch Sealed Rocker Switches

## SELECTION TABLE

CIRCUIT WITH LEVER IN . . .			BASE CATALOG NUMBER <sup>Ⓞ</sup>			SUFFIX NUMBERS & LETTERS - ADD TO BASE CATALOG NUMBER						
Up Position	Center Position	Down Position (Keyway)	Screw Terminals	Solder Terminals	Spade Terminals	MOUNTING BRACKET			ROCKER STYLE		ROCKER COLOR	
						Style	Mounting Holes	Code Letter	Style	Code No.	Color	Code Letter
<b>Four Pole</b>												
ON	OFF	ON	8556K1	8556K91	8556K31	Sub-Panel						
ON	NONE	OFF	K9	K99	K39	Mounting-	0.152	R				
ON	NONE	ON	K4	K94	K34	Clearance						
ON	OFF	NONE	K6	K96	K36	Holes						
ON	NONE	ON*	K5	K95	K35						White	M
* ON	OFF	ON*	K2	K92	K32	Sub-Panel						
NONE	OFF	ON*	K7	K97	K37	Mounting-	6-32	W	Serrated	32		
ON	NONE	OFF*	K10	K910	K310	Tapped Holes	UNC-2B					
OFF	NONE	ON*	K11	K911	K311							
ON	OFF	ON*	K3	K93	K33	Flush Panel						
* ON	ON	NONE	K12	K912	K312	Mounting-					Black	V
ON	ON	NONE	K13	K913	K313	Clearance	0.152					
ON	ON	ON	K15	K915	K315	Holes		S				
ON	ON	ON*	K16	K916	K316							
* ON	ON	ON*	K17	K917	K317	Flush Panel			Smooth	33		
						Mounting-	6-32					
						Tapped Holes	UNC-2B	T			Red	T
						Snap-in Bezel						
						Mounting	—	X				

\* Momentary contact.

See pages C26-C27 and C29-C31 for circuit diagrams.

Ⓞ Incomplete Catalog Number - add suffix letters and numbers for Mounting Bracket, Rocker Style and Rocker Color - see "When Ordering Specify."

### STANDARD

0.00 = inches

[0,0] = mm

Dimensions for reference only.

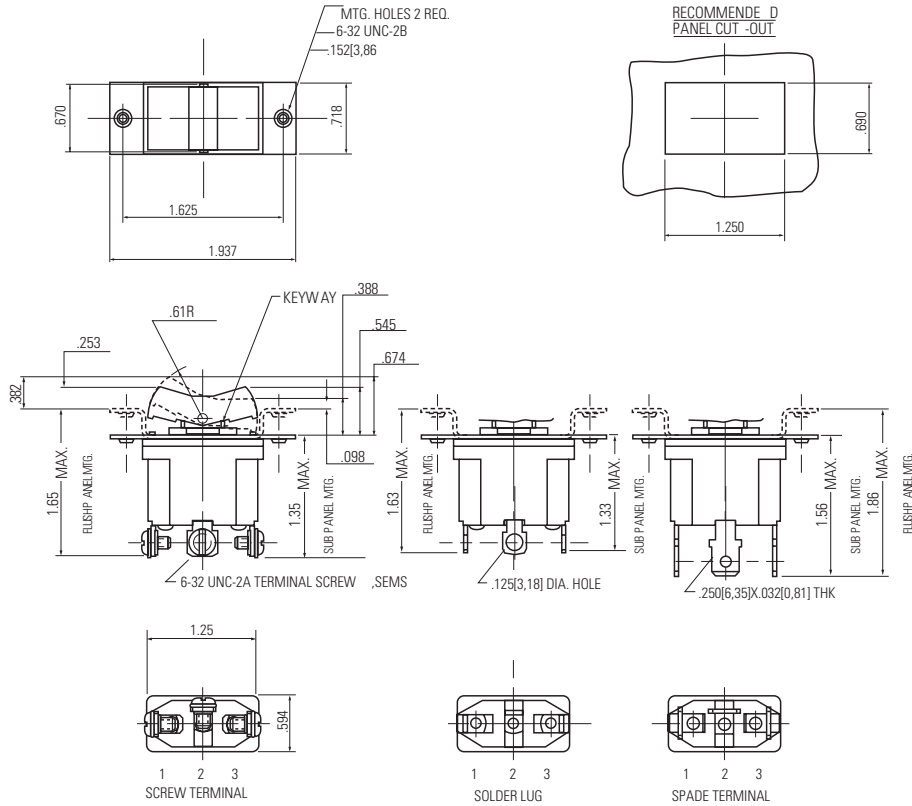


# ECONOSWITCH SEALED ROCKER SWITCHES

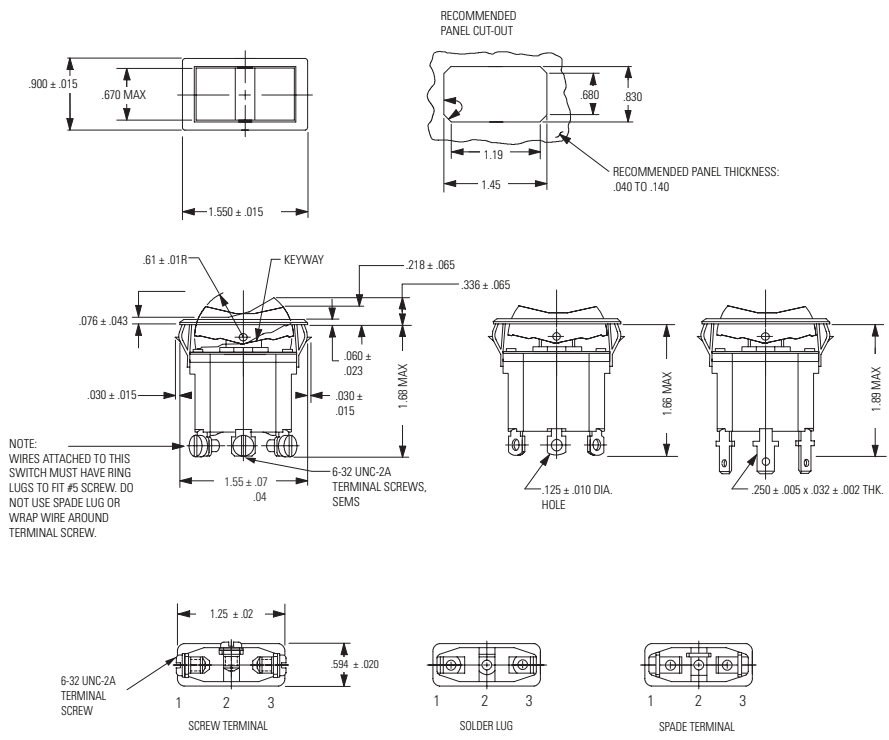
## Econoswitch Sealed Rocker Switches

Series - 8554, 8555, 8556

### MOUNTING DIMENSIONS - ONE POLE / 8554



### MOUNTING DIMENSIONS - SNAP-IN BEZEL ONE POLE / 8554

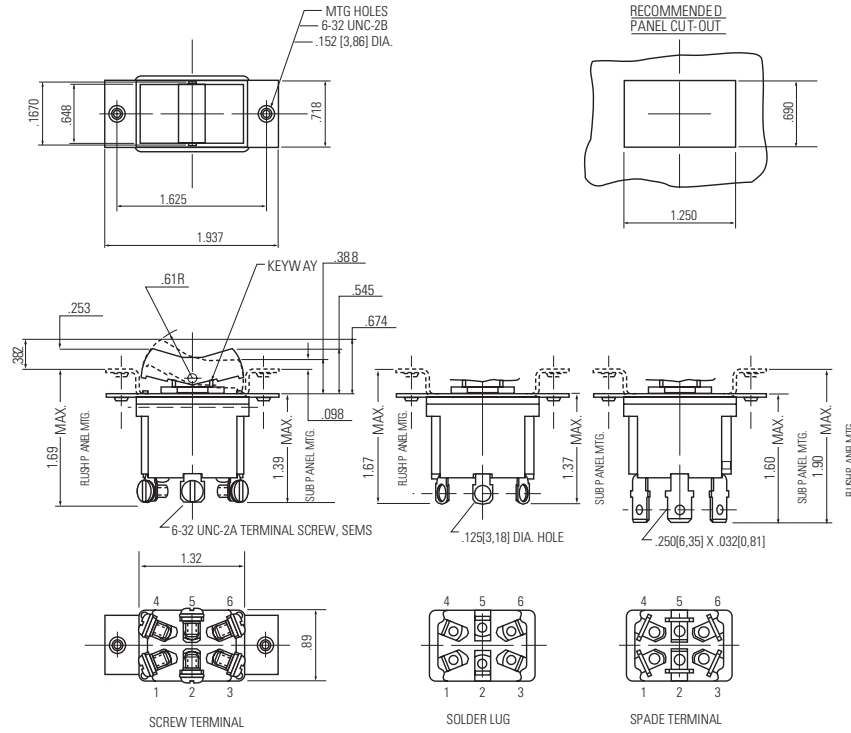


# ECONOSWITCH SEALED ROCKER SWITCHES

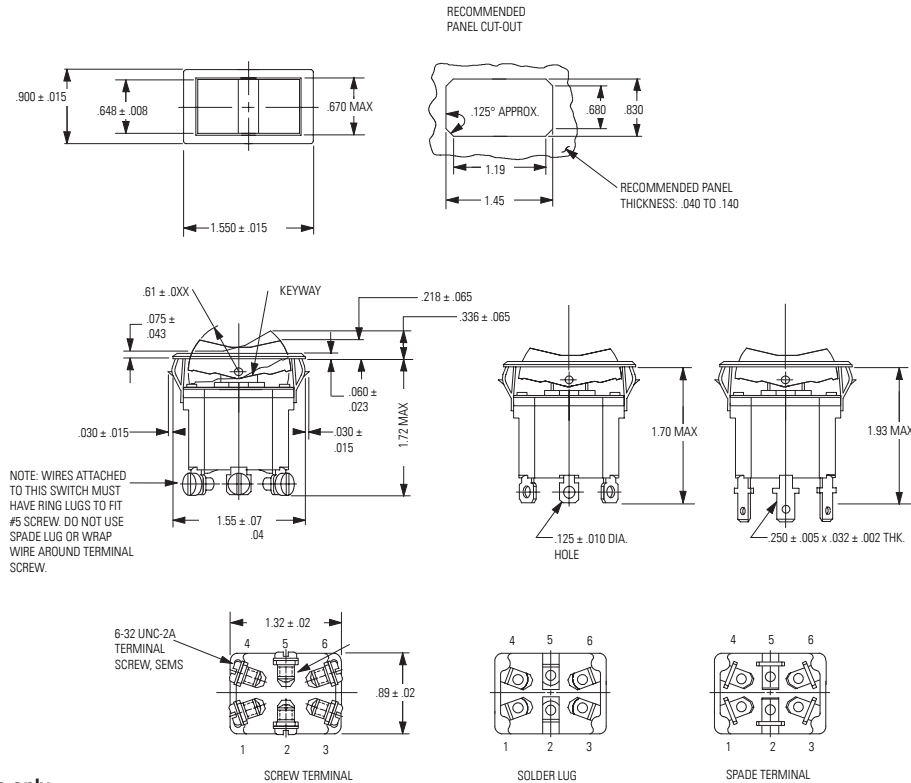
## Series - 8554, 8555, 8556

# Econoswitch Sealed Rocker Switches

### MOUNTING DIMENSIONS - TWO POLE / 8555



### MOUNTING DIMENSIONS - SNAP-IN BEZEL TWO POLE / 8555



**STANDARD**  
0.00 = inches  
[0,0] = mm

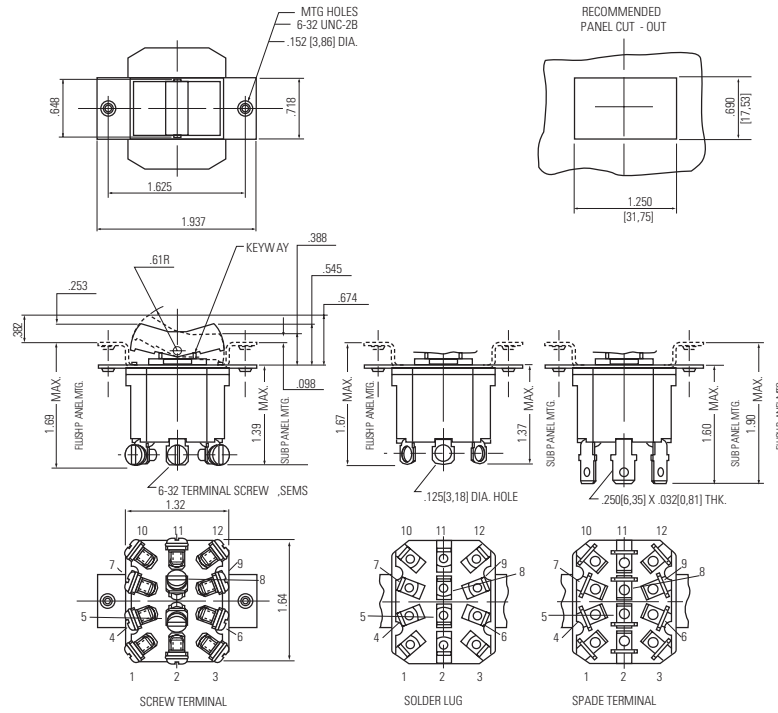
Dimensions for reference only.

# ECONOSWITCH SEALED ROCKER SWITCHES

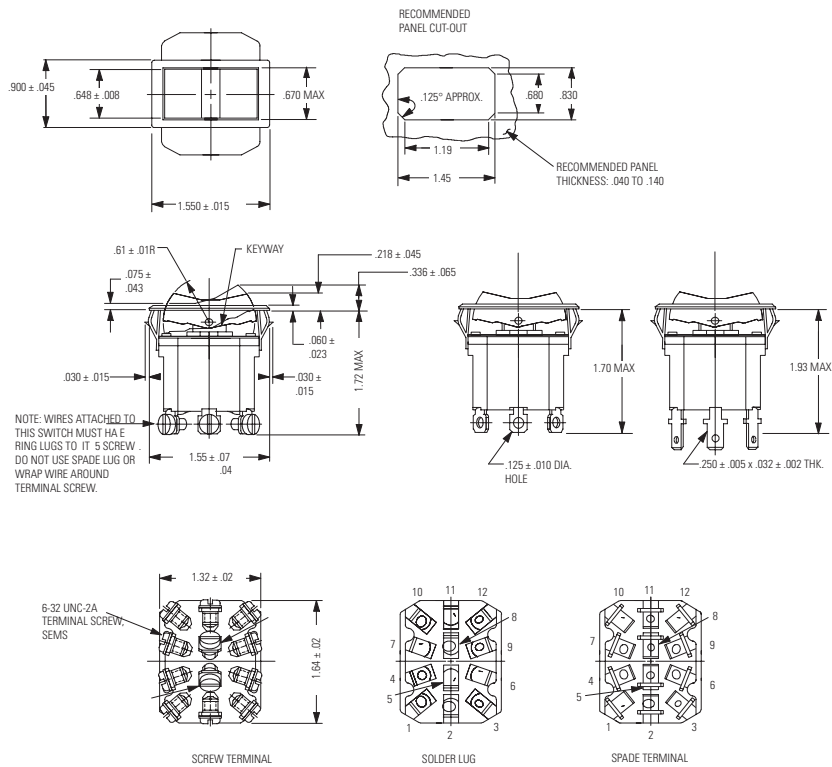
## Econoswitch Sealed Rocker Switches

Series - 8554, 8555, 8556

### MOUNTING DIMENSIONS - FOUR POLE / 8556



### MOUNTING DIMENSIONS - SNAP-IN BEZEL FOUR POLE / 8556



**STANDARD**  
0.00 = inches  
[0,0] = mm

Dimensions for reference only.

# ECONOSWITCH SEALED ROCKER SWITCHES

## Series - 8554, 8555, 8556

## Econoswitch Sealed Rocker Switches

### OPTIONS/ACCESSORIES

- Special color rockers
- Hot stamped lettering on rockers - smooth rockers only
- Special plated bezels
- Special marking on switches
- Optional Actuator
- Gold plated contacts

# ENVIRONMENTALLY SEALED ROCKER SWITCHES

## Environmentally Sealed Rocker Switches

Series - 8540, 8541, 8542

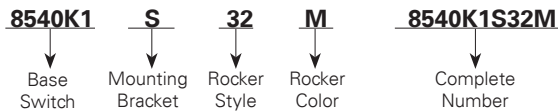
FEATURES		SPECIFICATIONS		CURRENT RATINGS								
<ul style="list-style-type: none"> <li>Environmentally sealed</li> <li>1, 2 and 4 pole circuitry</li> <li>2 &amp; 3 position with maintained and momentary action</li> <li>Pinned rocker button</li> <li>Multi-circuits</li> <li>Molded-in terminal inserts and terminal numbers</li> <li>Panel mounting variations                             <ul style="list-style-type: none"> <li>Flush panel</li> <li>Sub-panel</li> <li>Snap-in</li> </ul> </li> <li>Thermoplastic rocker buttons in opaque colors (serrated and smooth face)</li> </ul>		<ul style="list-style-type: none"> <li>Watertight per MIL-STD-108E and designed to meet IP68</li> <li>UL recognized and CSA certified</li> <li>Temperature range: -50°F to +150°F (-46°C to +66°C)</li> <li>Life: 20,000 operations at rated load 40,000 operations mechanical life</li> </ul>		No. of Poles	Catalog Number	Type of Operation	28VDC			115VAC 60 or 400Hz		
							Resistive Load	Inductive Load	Lamp Load	Resistive Load	Inductive Load	Lamp Load
				1	8540	Maintained	20	15	5	15	10	3
		Momentary	15	10	4	15	7	2				
2	8541	Maintained	20	15	7	15	15	4				
		Momentary	18	10	5	11	8	2				
4	8542	Maintained	20	12	5	15	15	4				
		Momentary	18	10	4	11	8	2				

Note: See page C28 for UL and CSA current ratings.

### WHEN ORDERING SPECIFY . . .

- Catalog number of base switch followed by suffix letters and numbers for mounting bracket, rocker color and style as listed in selection table.

Order Example:



One Pole  
Snap-in Bezel  
Mounting



Two Pole  
Flush Panel  
Mounting



Four Pole  
Sub-Panel  
Mounting

### SELECTION TABLE

CIRCUIT WITH LEVER IN . . .			BASE CATALOG NUMBER <sup>Ⓞ</sup>			SUFFIX NUMBERS & LETTERS - ADD TO BASE CATALOG NUMBER						
Up Position	Center Position	Down Position (Keyway)	Single Pole	Two Pole	Four Pole	MOUNTING BRACKET			ROCKER STYLE		ROCKER COLOR	
						Style	Mounting Holes	Code Letter	Style	Code No.	Color	Code Letter
ON	OFF	ON	8540K1	8541K1	8542K1	Sub-panel Mounting- Clear Holes	0.152 [3,86]	R			White	M
ON	NONE	OFF	K9	K9	K9							
ON	NONE	ON	K4	K4	K4							
ON	OFF	NONE	K6	K6	K6							
ON	NONE	ON*	K5	K5	K5	Sub-panel Mounting- Tapped Holes	6-32 UNC-2B	W	Serrated	32		
* ON	OFF	ON*	K2	K2	K2							
NONE	OFF	ON*	K7	K7	K7	Flush panel Mounting- Clear Holes	0.152 [3,86]	S			Black	V
ON	NONE	OFF*	K10	K10	K10							
OFF	NONE	ON*	K11	K11	K11							
ON	OFF	ON*	K3	K3	K3	Flush panel Mounting- Tapped Holes	6-32 UNC-2B	T	Smooth	33	Red	T
* ON	ON	NONE	K12	K12	K12							
ON	ON	NONE	K13	K13	K13							
ON	ON	ON		K14	K15							
ON	ON	ON*		K15	K16	Snap-in Bezel Mounting-	—	X				
* ON	ON	ON*		K16	K17							
ON	ON	ON	—	8541K17	—							
ON	ON	ON*	—	K18	—							
* ON	ON	ON*	—	K19	—							

\* Momentary contact.

See pages C26-C27 and C29-C31 for circuit diagrams.

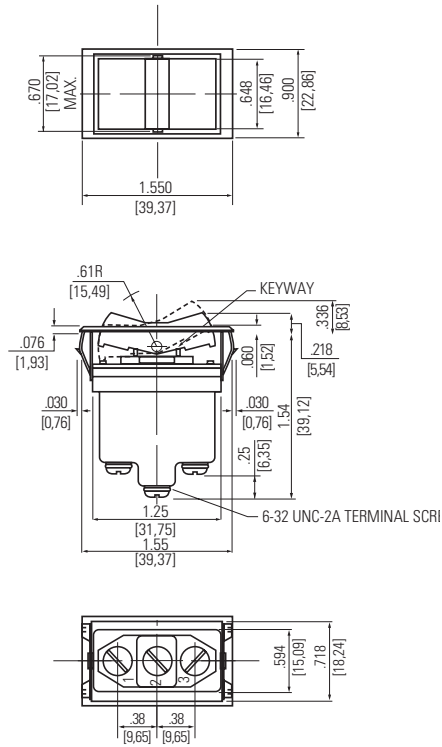
Ⓞ Incomplete Catalog Number - add suffix letters and numbers for Mounting Bracket, Rocker Style and Rocker Color - see "When Ordering Specify."

# ENVIRONMENTALLY SEALED ROCKER SWITCHES

Series - 8540, 8541, 8542

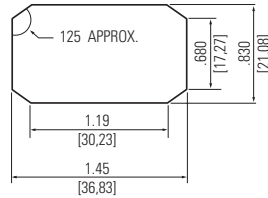
Environmentally Sealed Rocker Switches

## DIMENSIONS - ONE POLE / 8540

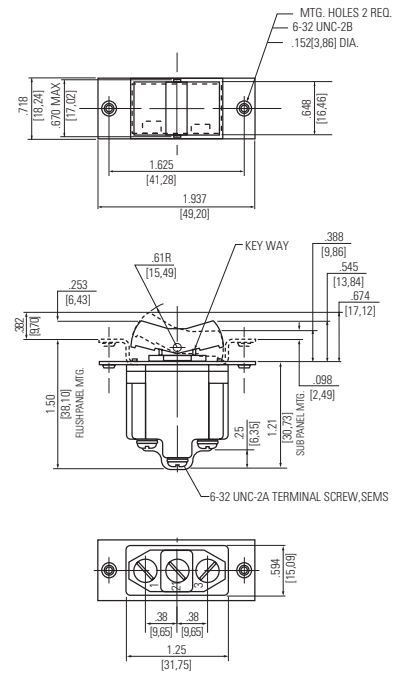
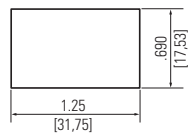


## RECOMMENDED PANEL CUT-OUT

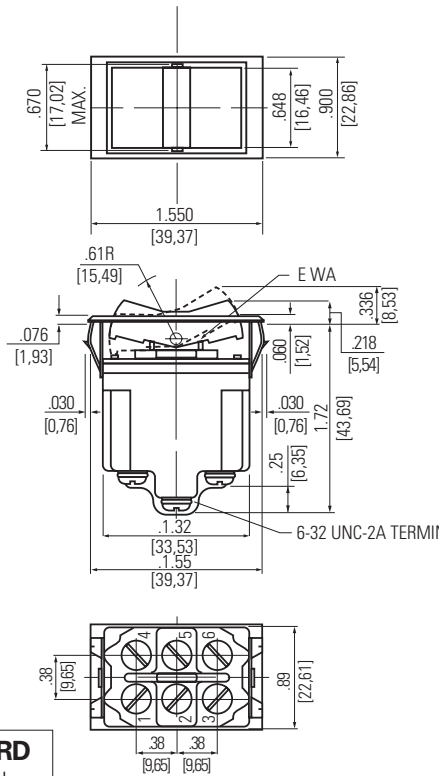
SNAP-IN BEZEL MOUNTING  
.040 [1,02] to .140 [3,56] PANEL THICKNESS



FLUSH AND SUB-PANEL ONLY

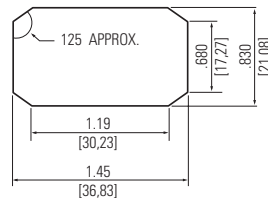


## DIMENSIONS - TWO POLE / 8541

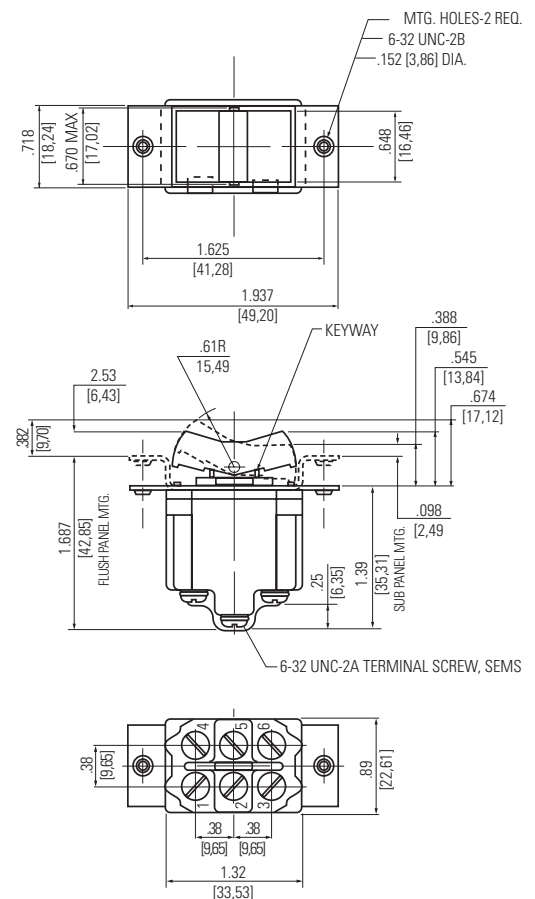
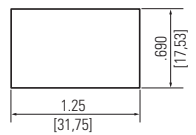


## RECOMMENDED PANEL CUT-OUT

SNAP-IN BEZEL MOUNTING  
.040 [1,02] to .140 [3,56] PANEL THICKNESS



FLUSH AND SUB-PANEL ONLY



### STANDARD

0.00 = inches

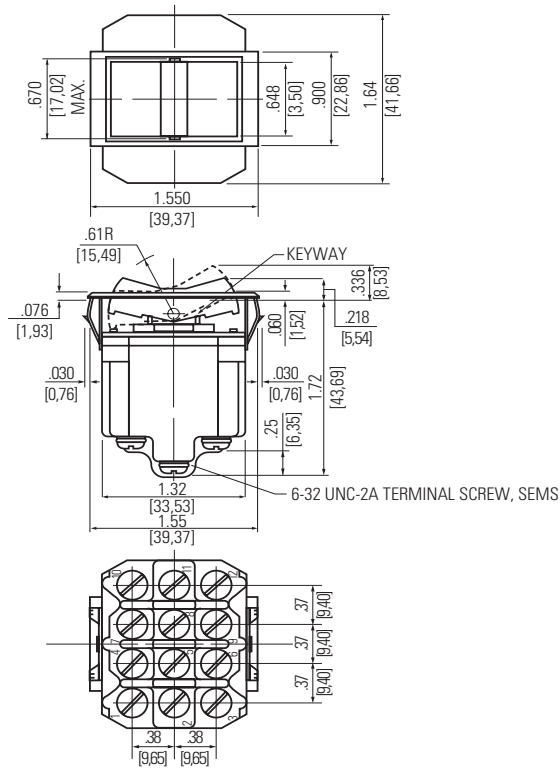
[0,0] = mm

Mounting dimensions for reference only.

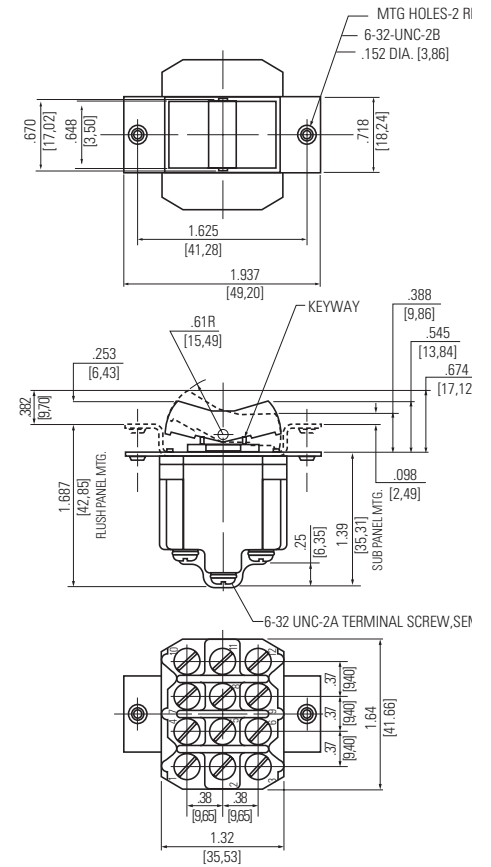
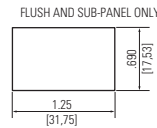
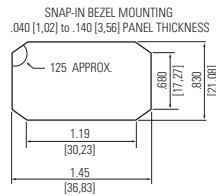
# Series - 8540, 8541, 8542

# ENVIRONMENTALLY SEALED ROCKER SWITCHES Environmentally Sealed Rocker Switches

## DIMENSIONS - FOUR POLE / 8542



## RECOMMENDED PANEL CUT-OUT



## OPTIONS/ACCESSORIES

- Special color rockers
- Hot stamped lettering on rockers - smooth rockers only
- Spade terminals
- Special spade terminal adapters (0.250")
- Special plated bezels
- Special marking on switches
- Optional Actuator
- Additional sealed rocker styles available

**STANDARD**  
0.00 = inches  
[0,0] = mm

Mounting dimensions for reference only.

# ENVIRONMENTALLY SEALED ROCKER SWITCHES

Series - 8543, 8544, 8545

Environmentally Sealed Rocker Switches  
with Removable Button (RB Series)

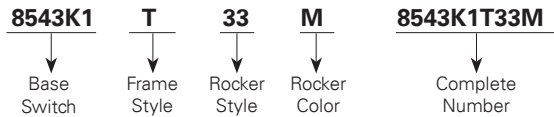
FEATURES	SPECIFICATIONS	CURRENT RATINGS									
		No. of Poles	Catalog Number	Type of Operation	28VDC			115VAC 60 or 400Hz			
					Resistive Load	Inductive Load	Lamp Load	Resistive Load	Inductive Load	Lamp Load	
<ul style="list-style-type: none"> <li>Environmentally sealed</li> <li>1, 2 and 4 pole circuitry</li> <li>2 &amp; 3 position with maintained and momentary action</li> <li>Rocker button is removable for decal or icon interchangeability</li> <li>Multi-circuit</li> <li>Panel mounting variations                             <ul style="list-style-type: none"> <li>Flush panel</li> <li>Sub-panel</li> </ul> </li> <li>Rocker button variations                             <ul style="list-style-type: none"> <li>Smooth and serrated in opaque colors</li> <li>Transparent</li> <li>Translucent</li> </ul> </li> </ul>	<ul style="list-style-type: none"> <li>Watertight per MIL-STD-108E and designed to meet IP68</li> <li>UL recognized and CSA certified</li> <li>Temperature range: -55°F to +150°F (-46°C to +66°C)</li> <li>Life: 20,000 operations at rated load 40,000 operations mechanical life</li> </ul>	1	8543	Maintained	20	15	5	15	10	3	
				Momentary	15	10	4	15	7	2	
			2	8544	Maintained	20	15	7	15	15	4
				Momentary	18	10	5	11	8	2	
			4	8545	Maintained	20	12	5	15	15	4
				Momentary	18	10	4	11	8	2	

NOTE: See page C28 for UL & CSA Current Ratings

## WHEN ORDERING SPECIFY . . .

• Catalog number of base switch followed by suffix letters and numbers for mounting bracket, rocker color and style as listed in selection table.

Order Example:



## SELECTION TABLE

CIRCUIT WITH LEVER IN . . .			BASE CATALOG NUMBER <sup>②</sup>			SUFFIX NUMBERS & LETTERS - ADD TO BASE CATALOG NUMBER					
Up Position	Center Position	Down <sup>①</sup> Position (Keyway)				FRAME STYLE		ROCKER STYLE		ROCKER COLOR	
			Single Pole	Two Pole	Four Pole	Frame Style	Code Letter	Style	Code No.	Color	Code Letter
ON	OFF	ON	8543K1	8544K1	8545K1						
ON	NONE	OFF	K9	K9	K9					White	M
ON	NONE	ON	K4	K4	K4			Serrated	32		
ON	OFF	NONE	K6	K6	K6					Red	T
ON	NONE	ON*	K5	K5	K5						
* ON	OFF	ON*	K2	K2	K2	Flush Panel	T				
NONE	OFF	ON*	K7	K7	K7						
ON	NONE	OFF*	K10	K10	K10						
OFF	NONE	ON*	K11	K11	K11						
ON	OFF	ON*	K3	K3	K3					Black	V
* ON	ON	NONE	K12	K12	K12			Smooth	33		
ON	ON	NONE	K13	K13	K13						
ON	ON	ON		K14							
ON	ON	ON*		K15		Sub-Panel	W			Translucent	L
* ON	ON	ON*		K16							
ON	ON	ON		K17	K15						
ON	ON	ON*		K18	K16						
* ON	ON	ON*		K19	K17			No Rocker	34	Transparent	P
ON	ON/OFF	ON			K20						
* ON	ON/OFF	ON*			K21						

\* Momentary contact.

See pages C26-C27 and C29-C31 for circuit diagrams.

① Identification lug side.

② Incomplete Catalog Number - add suffix letters and numbers for Mounting Bracket, Rocker Style and Rocker Color - see "When Ordering Specify."

## REPLACEMENT SMOOTH BUTTON SELECTION TABLE

Color	Part Number
White	53-2161-2
Red	53-2161-3
Black	53-2161-4
Translucent	53-2415
Transparent	53-2161-6

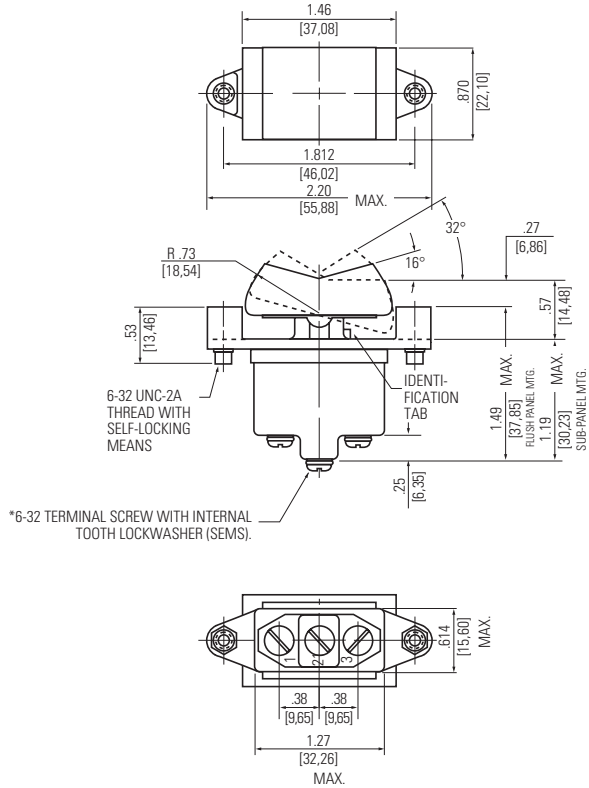


# Series - 8543, 8544, 8545

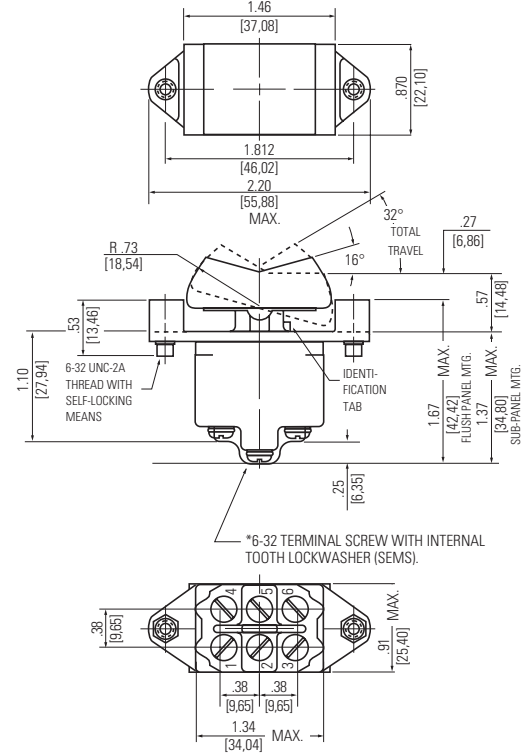
# ENVIRONMENTALLY SEALED ROCKER SWITCHES

## Environmentally Sealed Rocker Switches with Removable Button (RB Series)

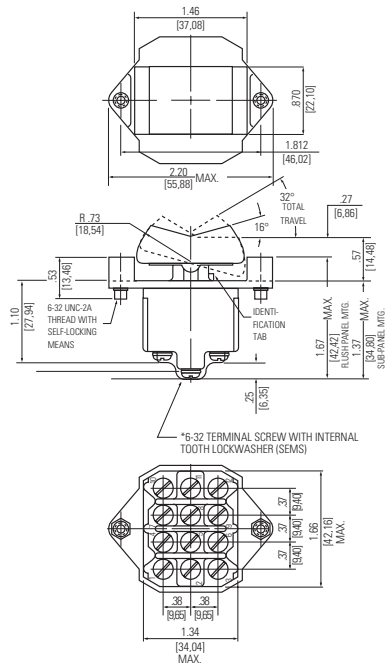
### DIMENSIONS - ONE POLE / 8543



### DIMENSIONS - TWO POLE / 8544



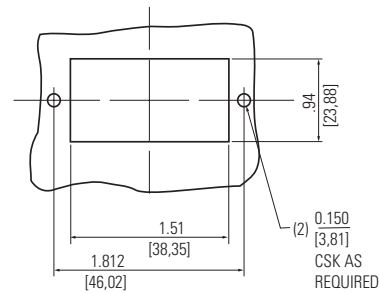
### DIMENSIONS - FOUR POLE / 8545



### OPTIONS/ACCESSORIES

- Special color rockers
- Hot stamped lettering on rockers - smooth rockers only
- Spade terminals
- Special spade terminal adapters 0.250" [0,63]
- Special marking on switches
- Optional Actuator

#### RECOMMENDED PANEL CUT-OUT



#### STANDARD

0.00 = inches

[0,0] = mm

Mounting dimensions for reference only.

# ENVIRONMENTALLY SEALED ROCKER SWITCHES

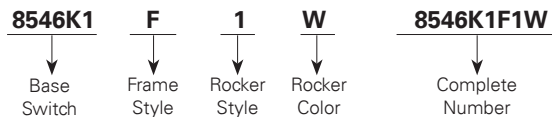
Series - 8546, 8547, 8548 MIL-M3950/14 Environmentally Sealed Rocker Switches

FEATURES		SPECIFICATIONS		CURRENT RATINGS					
<ul style="list-style-type: none"> <li>Environmentally sealed</li> <li>1, 2 and 4 pole circuitry</li> <li>2 &amp; 3 position with maintained and momentary action</li> <li>Rocker button is removable for decal or icon interchangeability</li> <li>Multi-circuit</li> <li>Molded-in inserts and terminal numbers</li> <li>Panel mounting variations                             <ul style="list-style-type: none"> <li>Flush panel</li> <li>Sub-panel</li> </ul> </li> <li>Rocker button variations                             <ul style="list-style-type: none"> <li>Smooth and serrated in opaque colors</li> <li>Transparent</li> <li>Translucent</li> </ul> </li> </ul>	<ul style="list-style-type: none"> <li>MS approved and QPL'd per MIL-DTL-3950</li> <li>Thermoset molding materials meet flame retardant requirements</li> <li>Temperature range: -67°F to +160°F (-55°C to + 71°C)</li> <li>Life: 20,000 operations at rated load 40,000 operations mechanical life</li> </ul>	28VDC			115VAC 60 or 400Hz				
		No. of Poles	Catalog Number	Type of Operation	Resistive Load	Inductive Load	Lamp Load	Resistive Load	Inductive Load
1	8546	Maintained	20	15	5	15	10	3	
		Momentary	15	10	4	15	7	2	
2	8547	Maintained	20	15	7	15	15	4	
		Momentary	18	10	5	11	8	2	
4	8548	Maintained	20	12	5	15	15	4	
		Momentary	18	10	4	11	8	2	

## WHEN ORDERING SPECIFY . . .

- Catalog number of base switch followed by suffix letters and numbers for mounting bracket, rocker color and style as listed in selection table.

Order Example:



Sub-Panel Mounting



Flush Panel Mounting

## SELECTION TABLE

CIRCUIT WITH LEVER IN . . .			BASE CATALOG NUMBER <sup>②</sup>											
Up Position	Center Position	Down <sup>①</sup> Position (Keyway)	Single Pole		Double Pole		Four Pole		Frame Style	Code Letter	Rocker Style	Code Letter	Rocker Color	Code Letter
			LPS	M3950/14A <sup>③</sup>	LPS	M3950/14B <sup>③</sup>	LPS	M3950/14C <sup>③</sup>						
ON	OFF	ON	8546K1	M3950/14A21	8547K1	M3950/14B21	8548K1	M3950/14C21						
ON	NONE	OFF	K9	A22	K9	B22	K9	C22						
ON	NONE	ON	K4	A23	K4	B23	K4	C23					White	W
ON	OFF	NONE	K6	A24	K6	B24	K6	C24						
ON	NONE	ON*	K5	A26	K5	B26	K5	C26	Flush	F	Smooth	1	Red	R
* ON	OFF	ON*	K2	A27	K2	B27	K2	C27						
NONE	OFF	ON*	K7	A28	K7	B28	K7	C28						
ON	NONE	OFF*	K10	A29	K10	B29	K10	C29					Black	B
OFF	NONE	ON*	K11	A30	K11	B30	K11	C30						
ON	OFF	ON*	K3	A31	K3	B31	K3	C31	Sub	S	Serrated	2		
* ON	ON	NONE	K12	A32	K12	B32	K12	C32					Translucent	T
ON	ON	NONE	K13	A33	K13	B33	K13	C33						
ON	ON	ON			K15	B34	K15	C34						
ON	ON	ON*			K16	B35	K16	C35					Transparent	C
* ON	ON	ON*			K17	B36	K17	C36						

**\* Momentary Circuit.**

See pages C26-C27 and C29-31 for circuit diagrams.

① Identification lug side.

② Incomplete Catalog Number - add suffix letters and numbers for Frame Style, Rocker Style and Rocker Color - see "When Ordering Specify."

③ Incomplete military part number - add suffix codes for Frame Style, Rocker Style and Rocker Color for complete military part number. (i.e. M3950/14A21F1W).

## REPLACEMENT BUTTON SELECTION TABLE

Color	Part Number (Smooth Button)
White	53-2161-2
Red	53-2161-3
Black	53-2161-4
Translucent	53-2415
Transparent	53-2161-6

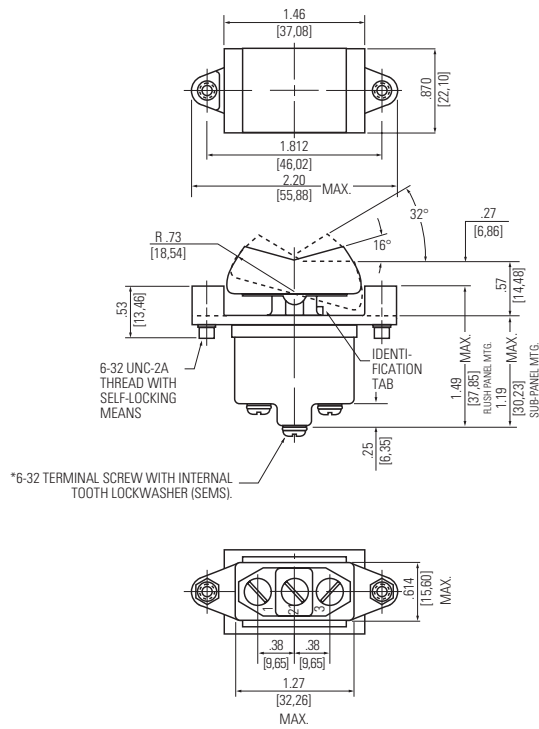
# ENVIRONMENTALLY SEALED ROCKER SWITCHES

Series - 8546, 8547, 8548

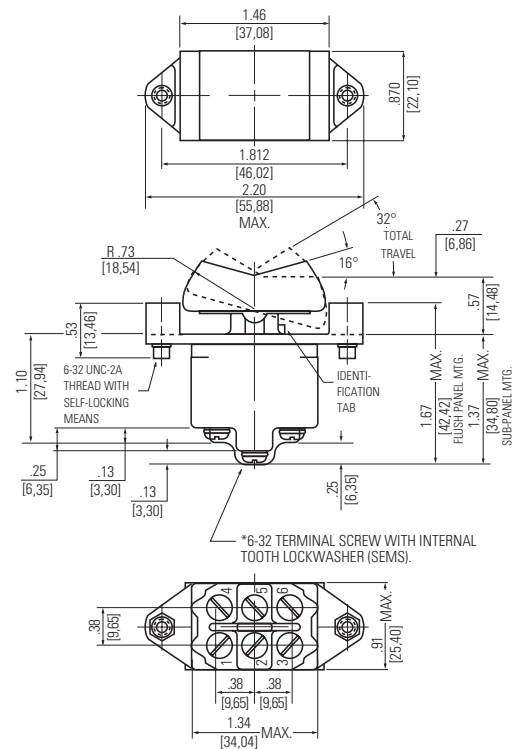
MIL-M3950/14

Environmentally Sealed Rocker Switches

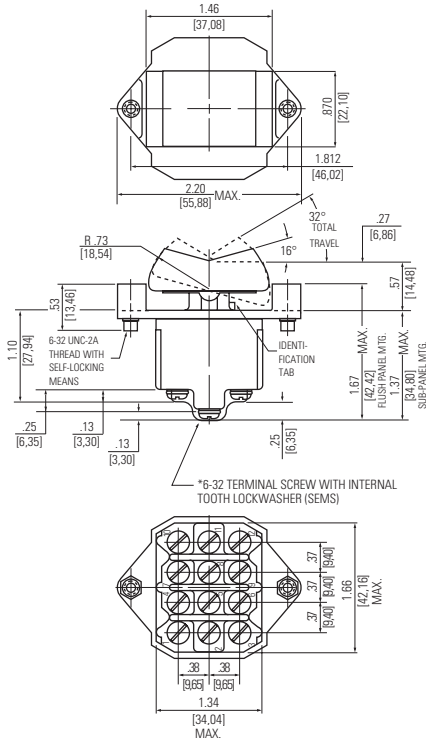
## DIMENSIONS - ONE POLE / 8546



## DIMENSIONS - TWO POLE / 8547



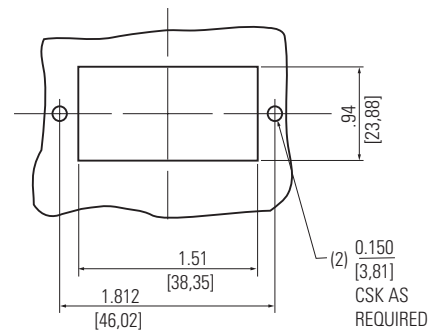
## DIMENSIONS - FOUR POLE / 8548



## OPTIONS/ACCESSORIES

- Special color rockers
- Hot branded lettering on rockers - smooth rockers only
- Spade terminals
- Special spade terminal adapters (0.250") [6.35]
- Special marking on switches
- Optional Actuator

### RECOMMENDED PANEL CUT-OUT



### STANDARD

0.00 = inches

[0,0] = mm

Mounting dimensions for reference only.

# ROCKER SWITCHES - ENVIRONMENTALLY SEALED SWITCHES

## Standard Circuit Arrangements

## Industrial, Econoswitch and MIL-DTL-3950 Series

CIRCUIT WITH LEVER IN . . .				
Number of Poles and Throws	Switch Circuit <sup>①</sup>	Up Position	Center Position	Down Position (ID Lug)
1PST				
1PDT				
2PST				
2PDT				
4PST				

# ROCKER SWITCHES - ENVIRONMENTALLY SEALED SWITCHES

## Standard Circuit Arrangements      Industrial, Econoswitch and MIL-DTL-3950 Series

**CIRCUIT WITH LEVER IN . . . CON'T.**

Number of Poles and Throws	Switch Circuit <sup>①</sup>	Up Position 	Center Position 	Down Position (ID Lug) 
4PDT	ON-OFF-ON		OFF	
	ON-NONE-ON		NONE	
	ON-NONE-ON*		NONE	
	ON-OFF-ON*		OFF	
	ON-OFF-ON*		OFF	
	ON-ON-NONE			NONE
	ON-ON-NONE			NONE
	ON-ON OFF-ON			
	ON-ON OFF-ON *			
	ON-ON OFF-ON *			
	ON-ON OFF-ON *			

**\*Momentary contact.**  
<sup>①</sup>See page C29 for ON-ON-ON and special circuits.

# NOMINAL RATINGS

## Minimum AC Contact Ratings

### UL AND CSA NOMINAL RATINGS

Catalog Number	Amperes		Maximum Horsepower		
	125VAC <sup>①</sup>	250VAC <sup>①</sup>	1 Phase		3 Phase
			125VAC <sup>①</sup>	250VAC <sup>①</sup>	125/250VAC <sup>①</sup>
8540K1, 4, 6, 9, 13	18	9	1/4	1/2	—
8540K2, 3, 5, 7, 8, 10-12	18	9	—	—	—
8541K1, 4, 6, 9, 13	18	9	1/2	1	—
8541K2, 3, 5, 7, 8, 10-12, 14-16	18	9	—	—	—
8542K1, 4, 6, 9, 13	18	9	1/2	1	1
8542K2, 3, 5, 7, 8, 10-12, 15-17	18	9	—	—	—
8543K1, 4, 6, 9, 13	18	9	1/4	1/2	—
8543K2, 3, 5, 7, 8, 10-12	18	9	—	—	—
8544K1, 4, 6, 9, 13	18	9	1/2	1	—
8544K2, 3, 5, 7, 8, 10-12, 14-19	18	9	—	—	—
8545K1, 4, 6, 9, 13	18	9	1/2	1	1
8545K2, 3, 5, 7, 8, 10-12, 15-21	18	9	—	—	—
8551K1-13, K31-313, K91-913	18	9	1/4	1/2	—
8552K1-16, K31-316, K91-916	18	9	1/2	1	—
8553K1-17, K31-317, K91-917	18	9	1/2	1	1
8554K1-13, K31-313, K91-913	18	9	1/4	1/2	—
8555K1-16, K31-316, K91-916	18	9	1/2	1	—
8556K1-17, K31-317, K91-917	18	9	1/2	1	1

① 60 Hertz

# ROCKER SWITCHES - ENVIRONMENTALLY SEALED SWITCHES

## Special ON-ON-ON Circuit Arrangements for Two and Four Pole Switches

### Industrial, Econoswitch and MIL-DTL-3950 Series

#### CIRCUIT WITH LEVER IN . . .

Number of Poles	Up Position 	Center Position 	Down Position (Keyway) 	Catalog Part Number <sup>①</sup>
Two Pole				
2	Maintained 	Maintained 	Maintained 	8541K14 8544K14 8547K15 8552K14, 8552K914, 8552K314 8555K14, 8555K914, 8555K314
2	Maintained 	Maintained 	Momentary 	8541K15 8544K15 8547K16 8552K15, 8552K915, 8552K315 8555K15, 8555K915, 8555K315
2	Momentary 	Maintained 	Momentary 	8541K16 8544K16 8547K17 8552K16, 8552K916, 8552K316 8555K16, 8555K916, 8555K316
2	Maintained 	Maintained 	Maintained 	8541K17 8544K17 8555K17, 8555K917, 8555K317
2	Maintained 	Maintained 	Momentary 	8541K18 8544K18 8555K18, 8555K918, 8555K318
2	Momentary 	Maintained 	Momentary 	8541K19 8544K19 8555K19, 8555K919, 8555K319
Four Pole				
4	Maintained 	Maintained 	Maintained 	8542K15 8545K15 8548K15 8553K15, 8553K915, 8553K315 8556K15, 8556K915, 8556K315
4	Maintained 	Maintained 	Momentary 	8542K16 8545K16 8548K16 8553K16, 8553K916, 8553K316 8556K16, 8556K916, 8556K316
4	Momentary 	Maintained 	Momentary 	8542K17 8545K17 8548K17 8553K17, 8553K917, 8553K317 8556K17, 8556K917, 8556K317

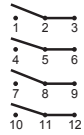
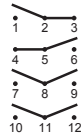
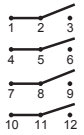
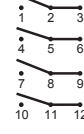
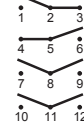

<sup>①</sup> Incomplete part number. Basic switch part number referenced only.

# ROCKER SWITCHES - ENVIRONMENTALLY SEALED SWITCHES

## Special ON-ON-ON Circuit Arrangements for Two and Four Pole Switches

### Industrial, Econoswitch and MIL-DTL-3950 Series

#### CIRCUIT WITH LEVER IN . . .

Number of Poles	Up Position	Center Position	Down Position (Keyway)	Catalog Part Number <sup>①</sup>
<b>Four Pole (Continued)</b>				
4	Maintained - 	Maintained - 	Maintained - 	8545K20
4	Momentary 	Maintained - 	Momentary 	8545K21

<sup>①</sup> Incomplete part number. Basic switch part number referenced only.



# ROCKER SWITCHES - ENVIRONMENTALLY SEALED SWITCHES

## Special Circuit Arrangements for Two and Four Pole Switches

### Industrial, Econoswitch and MIL-DTL-3950 Series

#### SPECIAL "ON-ON-ON" CIRCUIT ARRANGEMENTS

"Three Independent" ON-ON-ON Circuit Diagram  
 For switch modified with "Three Independent" ON-ON-ON Special Circuit.  
 External Jumpers are required. User to connect wiring per instructions given below.

Connection Points	Single Pole	Double Pole
Connect Common to Terminals	2	2 and 11
Connect Circuit "A" to Terminals	6	6 and 9
Connect Circuit "B" to Terminals	4	4 and 7
Connect Circuit "C" to Terminals	1	1 and 10

Circuit Poles	No. of Poles	Up Position 	Center Maintained Position 	Down Position (Keyway) 
Circuit for Single Pole (Jumper between Terminals #3 & #5)	1			
Circuit for Double Pole (Jumpers between Terminals #3 & #5 #8 & #12)	2			

Note: Basic circuit same as offered with part numbers 8551K14, 8551K15 or 8551K16 for two pole devices and part numbers 8553K15, 8553K16 or 8553K17 for four pole devices.

#### SPECIAL CIRCUIT (OFF - ON - ON)

Circuit	No. of Poles	OFF Up Position 	ON Center Maintained Position 	ON Down Position (Keyway) 	Circuit Being Made . . .	Terminal Numbers Making the Circuit
Note: Requires two poles to achieve a single pole device or four poles to achieve a double pole device.  Circuit for Single Pole (Jumper between terminals #2 & #4). Common terminal #5. Non-functional terminal #6	2	(OFF) 	(ON) 	(ON) 	UP(OFF) CENTER (ON) DOWN (ON)	-- #3 & #5 #1 & #5
Circuit for Double Pole (Jumpers between terminals #2 & #4 and #7 & #11). Common terminals #5 & #8. Non-functional terminals #6 & #9	4	(OFF) 	(ON) 	(ON) 	UP(OFF) CENTER (ON) DOWN (ON)	-- #3 & #5 #8 & #12 #1 & #5 #8 & #10

#### SPECIAL PROJECTOR CIRCUIT (1 ON - 1 ON - OFF)

Circuit	No. of Poles	ON Up Position 	ON Center Maintained Position 	OFF Down Position (Keyway) 	Circuit Being Made . . .	Terminal Numbers Making the Circuit
Note: Requires two poles to achieve a single pole device or four poles to achieve a double pole device.  Circuit for Single Pole (Jumper between terminals #2 & #5). Common terminal #5. Non-functional terminal #1 & #4.	2	(TWO ON) 	(ONE ON) 	(OFF) 	UP(ON) CENTER (ON) DOWN (OFF)	#2 & #3 #5 & #6 #5 & #3 —
Circuit for Double Pole (Jumpers between terminals #2 & #5 and #8 & #11). Common terminals #5 & #8. Non-functional terminals #1, #4, #7 & #10.	4	(FOUR ON) 	(TWO ON) 	(OFF) 	UP(ON) CENTER (ON) DOWN (OFF)	#5 & #3 #5 & #6 #8 & #12 #8 & #9 #3 & #5 #8 & #12 —

# NOTES

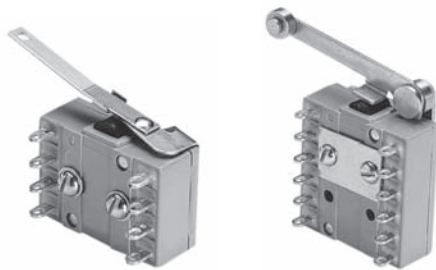
## Index

D1

**Basic Switches**

D2 - D4

- Ratings up to 40 amperes
- One, two and three pole configurations
- Choice of terminals
- Maintained and momentary circuits
- Snap action contact mechanism
- Dry circuit capabilities

**Roller and Leaf Actuator for Basic Switches**

D5

- Variety of actuator styles
- Actuator metal parts are stainless passivated
- All parts are treated for corrosion resistance
- Adaptable to D and K series switches

*\*Most items listed in this catalog are standard products and are normally in Distributor Inventory; however, the current inventory status should be checked by contacting your Labinal Power Systems Customer Service Representative at 800-955-7354 or your authorized Distributor before placing orders.*







# BASIC SWITCHES

## Precision Snap Action Switches

### FEATURES

- Snap action
- Plastic, flame resistant case
- Single, double and three pole circuits
- Eight types of terminations
- Long life
- 1000 V rms dielectric strength
- Current capacities from dry circuit to 40 amperes
- Military approved
- Environmentally sealed
- UL recognized
- Low movement differential and operating force types available
- Stacking and gang mounting capabilities

### SELECTION AND SPECIFICATIONS TABLE

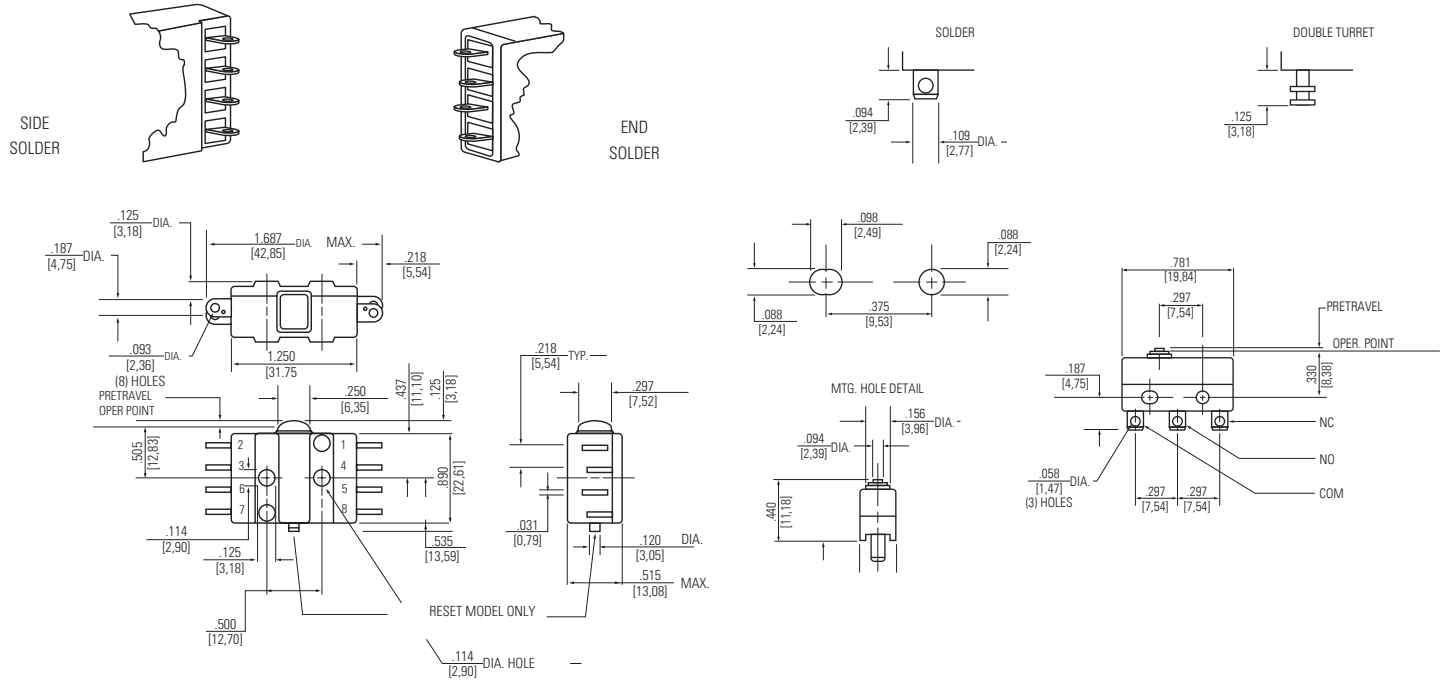
SERIES		Characteristics									
	Circuit	Electrical Rating Life	Terminals	Description	Catalog Number	Operating Force (Max.)	Release Force (Min.)	Pretravel (Max.)	Diff. Travel (Min.)	Over Travel (Min.)	
 <b>Series D</b>	4 CKT Dbl. Brk.	15 amps, 125/250VAC, 60/400Hz 30VDC Resistive 10 amps, 125/250VAC, 60/400Hz 30VDC Inductive 100,000 operations mechanical life, 50,000 operations electrical life	End Solder Side Solder Side Solder End Solder Side Solder Side Solder	Standard  Non-Simultaneous Break MS25348-1 MS25349-1 Reset Type	D4-4 D8-4 D8-9 D4-44 D8-44 D8-344	28+/-5 oz 2.18 lbs 1.25 lbs	3 oz. —	.060 in.	.028 ±.007 in.	.018 in.	
 <b>Series E-4 &amp; EM</b>	1 PDT	Operations, Min. 150,000 2.5 amps. 125/250VAC Res. & Ind. 100,000 5.0 amps. 125/250VAC Res. & Ind. 50,000 4.0 amps. 30VDC Resistive 50,000 2.5 amps. 30VDC Inductive	Solder  Double Turret	Standard (Dust, Splash-proof)	E4-103  EM-4111	  200 grams	  40 grams	.020 in.	.003 in.	.007 in.	
		25,000 operations min. electrical life at: 4 amps, 28VDC Resistive 2.5 amps, 28VDC Inductive	Solder Double Turret	MS25085-1 MS25085-2	E4-270 E4-271	5 oz.	1 oz.		.004 in.	.005 in.	
 <b>Series EF</b>	1 PDT	150,000 operations at 2.5 amps, 125/250VAC 100,000 operations at 5.0 amps, 125/250VAC 50,000 operations at 2.5 amps, 30VDC Inductive 50,000 operations at 4.0 amps, 30VDC Resistive	Wire Leads	Standard	EF-103						
		150,000 operations at 2.5 amps, 125/250VAC 100,000 operations at 5.0 amps, 125/250VAC 50,000 operations at 2.5 amps, 30VDC Inductive 50,000 operations at 4.0 amps, 30VDC Resistive	Wire Leads	High-Temp. (-65°F to +300°F)	EF-110	5-17 oz.	4 oz.	.050 in.	.004 in.	.003 in.	
 <b>Series G</b>	2 CKT (1 PDT) Mom.	125/250VAC, 30 amps Resistive 125/250VAC, 20 amps Inductive 125/250VAC, 10 amps Motor 28VDC, 40 amps Resistive 28VDC, 30 amps Inductive 28VDC, 15 amps Motor 25,000 Operations Min.	Solder	MS25357-1	G3-44	50.75 oz	6 oz.	0.093 in.	.055 +/- .010 in.	.015 in.	
 <b>Series K</b>	6 CKT 3 N.O. 3 N.C.	15 amps, 125/250VAC, 60/400 Hz, 15 Amp Ind., 30VDC Resistive, 15 amps 10 amps, 30VDC Inductive 50,000 operations	Side Solder	Standard U.L. Listed - 30A, 250VAC MS25356-1 MS25353-1, Reset Type	K3-4 K3-12 K3-44 K3-344	56 oz.	4 oz.	.060 in.	.028 +/- .007 in.	.015 in.	
								.075 in.	.036 in.		
 <b>Series S</b>	2 CKT Dbl. Brk.	750,000 operations at 10 amps, 125VAC 10,000 operations at 1 amp, 125VAC pilot duty 200,000 operations at 10 amps, 30VDC res & ind  U.L. Listed for 10 amps, 125/250VAC, 1/2 amp, 125VDC (1/2 hp, 125/250VAC) Military rated for 10 amps 125/250VAC, 30VDC Ind.	End Solder End Screw Side Solder	Standard	S1-4 S2-4 S3-4	12+/-3 oz.	4 oz.	.060 in.	.020 +/- .005in	.015in	
	2 CKT Dbl. Brk.	50,000 minimum operation 125VAC, 10 amps Resistive & Inductive 30VDC, 10 amps Resistive & Inductive 125VAC, 6 amps motor 28VDC, 6 amps motor	End Solder End Screw	MS25342-1, .027 max move. diff. MS25344-1, .027 max move. diff.	S1-44 S2-44	1.25 lbs  12 +/-3 oz	4 oz.	.060 in.	0.027	.015 in.	
1 PNC Dbl brk. 1 PNO Dbl brk.	750,000 operations at 10 amps, 125VAC 10,000,000 oper. at 1 amp, 125VAC pilot duty 200,000 operations at 10 amps, 30VDC Inductive Military rated for 10 amps 125/250VAC, 30VDC	Side Solder End Screw Side Solder Side Solder	MS25343-1, .020+/- .005 move diff Standard .020 +/- .005 move. diff. Standard .010 +/- .004-.003 mv df U.L. Listed	S3-44 S2-25 S3-5 S3-6	19 oz. 15 oz. 15 oz. 15 oz.			+/- .020in			

# BASIC SWITCHES

## Precision Snap Action Switches

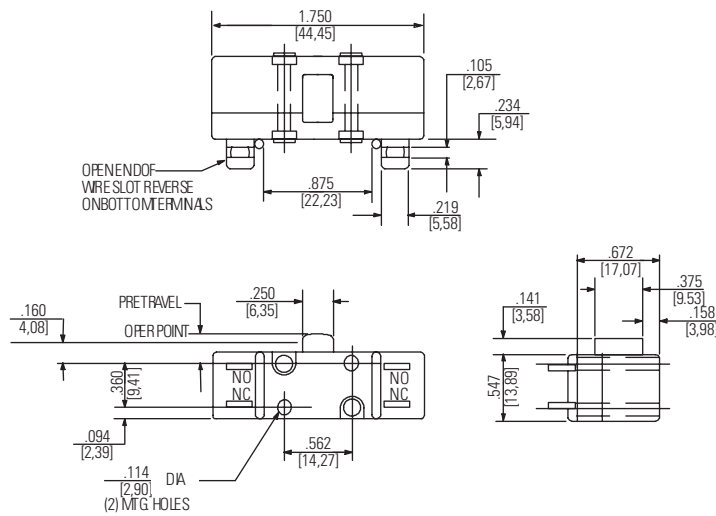
### APPROXIMATE DIMENSIONS

Terminal Styles (Other terminations available)

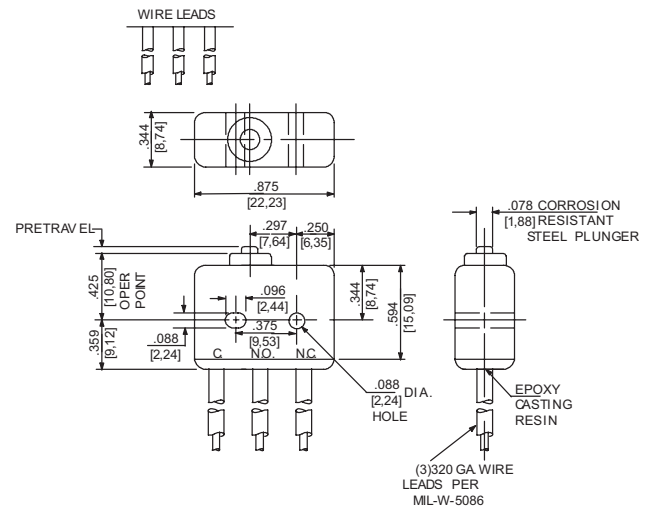


**Series D**

**Series E4 and EM**



**Series G**



**Series EF**

### STANDARD

0.00 = inches

[0,0] = mm

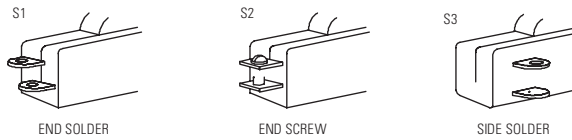
Dimensions for reference only.

# BASIC SWITCHES

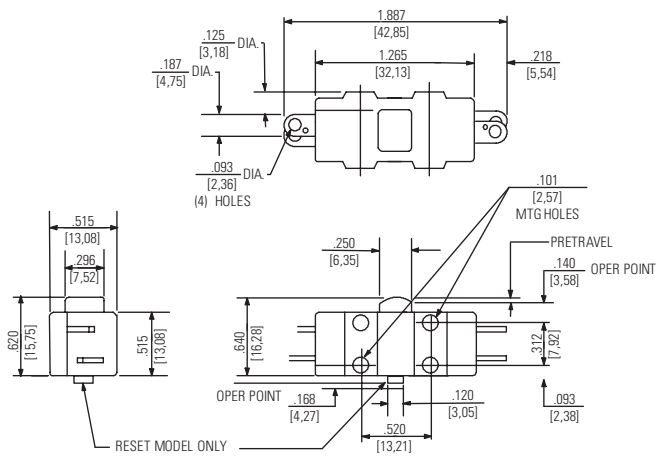
## Precision Snap Action Switches

### APPROXIMATE DIMENSIONS

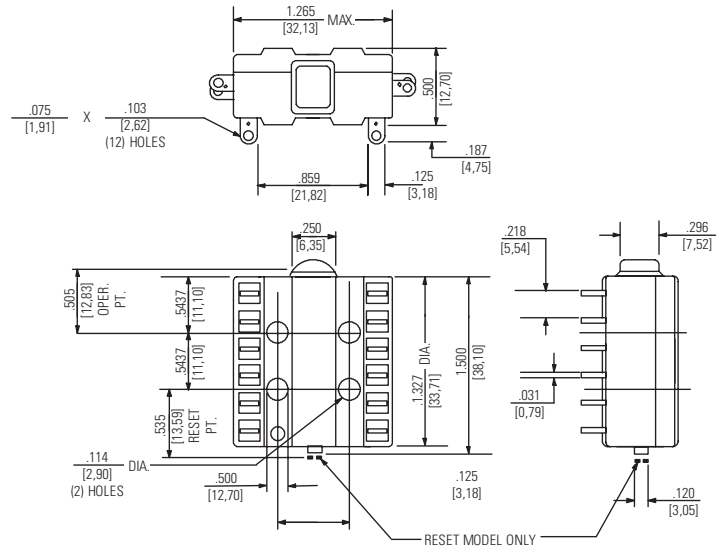
Terminal Styles (Other terminations available)



OTHER TERMINATIONS AVAILABLE



Series S



Series K

**STANDARD**  
0.00 = inches  
[0,0] = mm

Dimensions for reference only.

# BASIC SWITCHES

## Precision Snap Action Switch

### Roller and Leaf Actuator

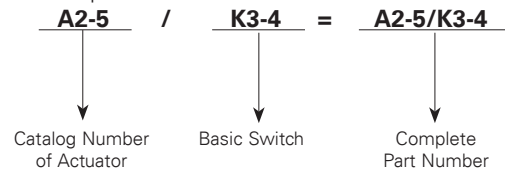
#### FEATURES

- All parts treated for corrosion resistance
- Actuator metal parts are stainless passivated
- Operating characteristics depend on switch selected
- Catalog numbers which appear with a slash between actuator and basic switch part number are screw type assemblies and can be supplied as separate components



#### WHEN ORDERING SPECIFY . . .

- Catalog number of actuator plus part number of basic switch.

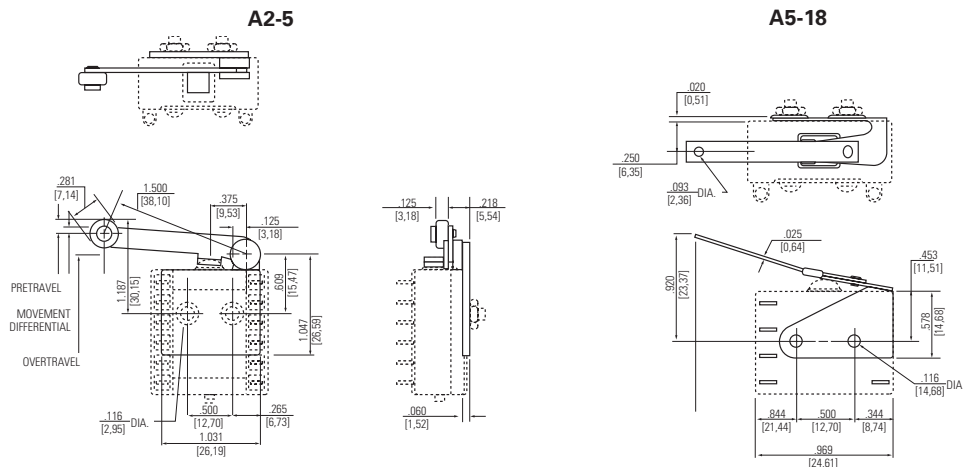
Order Example:



#### SELECTION AND SPECIFICATIONS TABLE

TYPE	Circuit	Electrical Rating Life	Catalog Number	Characteristics				
				Operating Force (Max.)	Release Force (Min.)	Pretravel (Max.)	Diff. Travel	Over Travel
 <p><b>Roller Lever Type A2-5</b></p> <p><b>Actuator A2-5 Shown with Basic Switch K3-4</b></p> <p><b>Extended Leaf Type A5-18</b></p>	3 PDT 6 CKT Momentary	Can be used with "D" or "K" series basic switch shown on pg D2.	A2-5/K3-4	14 oz.	1 oz.	.240 in.	112 +/- .028 in.	.060 in.
 <p><b>Actuator A5-18 Shown with Basic Switch D8-4</b></p>	2 PDT 4 CKT Momentary	Can be used with "D" or "K" series basic switch shown on pg D2.	A5-18/D8-4	16 +/- 4 oz.		.375 in +/- .066 in.	.156 in.	.156 in.

#### APPROXIMATE DIMENSIONS



NOTES

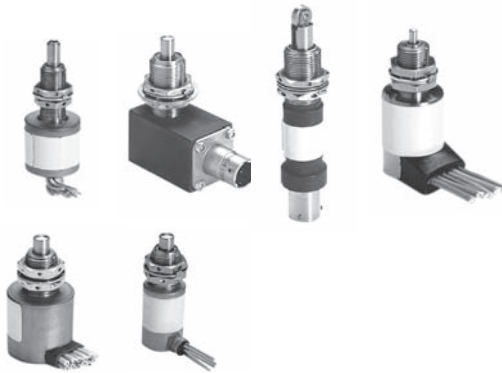


# SECTION E

## Sealed Limit Switches Index

### Index

E1



#### H11 Series

E2 - E3

- Ratings up to 7 amperes
- Two and four pole configurations
- Wire leads (6 foot length)
- One hole mounting
- MIL-PRF-8805 approved
- Available with pushbutton or roller actuator
- Available with glass-to-metal seal or phenolic disc header
- Custom designs available



#### Hermetic Switches

E4

- Ratings up to 7 amperes
- MIL-PRF-8805 Enclosure Design 5 (Hermetic)
- Stainless steel construction
- Inert gas filled
- Plunger or roller actuator
- Two and four pole configurations
- Custom designs available

*\*Most items listed in this catalog are standard products and are normally in Distributor Inventory; however, the current inventory status should be checked by contacting your Labinal Power Systems Customer Service Representative at 800-955-7354 or your authorized Distributor before placing orders.*

# LIMIT SWITCHES

## Series - H11

## Environmentally Sealed Switches

FEATURES	SPECIFICATIONS	CURRENT RATINGS				
----------	----------------	-----------------	--	--	--	--

- Current ratings up to 7 amperes
- Two and four pole configurations
- Wire leads with strain relief
- Connector option available
- Single hole mounting
- Ice scraping capability
- Simultaneous contact circuitry
- Reliable lifetime operation
- Durable construction for harsh environment applications
- Wiring schematic located on switch body
- Customized to fit your exact application

- MIL-PRF-8805 approved
- Enclosure per MIL-PRF-8805 Design 4 (Resilient)
- Wire leads per MIL-W-22759/7
- Operating temperature range: -65°F to +185°F (-55°C to + 85°C)
- Electrical life: 25,000 cycles at rated load
- Mechanical life: 25,000 cycles
- All metal parts treated for corrosion resistance

Altitude	Amperes - 28VDC			
	Inrush	Resistive	Motor	Inductive
Sea Level	24	7	4	4
50,000 Feet	24	7	4	2.5
100,000 Feet	24	7	4	1.5



Cat. No. H11-375



Cat. No. H11-330



Cat. No. H11-395



Cat. No. H11-390



Cat. No. H11-335



Cat. No. H11-331

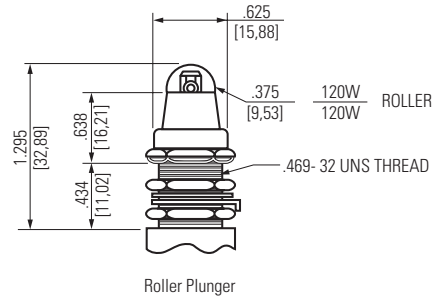
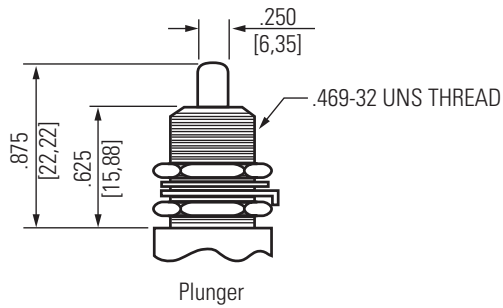
**SELECTION TABLE - All switches shown have 6-foot length lead wire per MIL-W-22759/7 marked per MIL-W-5088.**

Poles and Throw	Characteristics						MS Part Number	Catalog Number	Weight (oz.)	Bushing Thread Size	Housing Dimensions Inches Standard Base	
	Actuator	Op. Force	Return Force	Pre-Travel	Over-Travel	Diff. Travel					Height "A" Dim.	Diameter "B" Dim.
<b>STANDARD SWITCH SERIES</b>												
2 PDT	Plunger	6-12 lbs.	4 lbs. min.	.040 in. max.	.250 in. min.	.020 in. max.	MS21321-1 (8805/39)	H11-335	7.2	.625-24	.980	.720
4 PDT	Plunger	6-12 lbs.	4 lbs. min.	.040 in. max.	.250 in. min.	.020 in. max.	MS21321-2 (8805/39)	H11-395	12.5	.625-24	1.20	1.03
2 PDT	Plunger	6-12 lbs.	4 lbs. min.	.070 in. min.	.250 in. max.	.020 in. max.	MS24331-1 (8805/40)	H11-375	7.3	.625-24	.980	1.015
2 PDT	Plunger	6-12 lbs.	4 lbs. min.	.040 in. max.	.125 in. min.	.020 in. max.	MS27240-1 (8805/43)	H11-330	8	.469-32	1.0	.720
4 PDT	Plunger	6-12 lbs.	4 lbs. min.	.040 in. max.	.125 in. min.	.020 in. max.	MS27240-2 (8805/43)	H11-390	13.6	.469-32	1.20	1.03
2 PDT	Roller Plunger	6-12 lbs.	4 lbs. min.	.040 in. min.	.125 in. min.	.020 in. max.	MS27240-3 (8805/43)	H11-331	8	.32	1.0	.720
4 PDT	Roller Plunger	6-12 lbs.	4 lbs. min.	.040 in. max.	.125 in. min.	.020 in. max.	MS27240-4 (8805/43)	H11-391	13.6	.469-32	1.20	1.03

# Series - H11

# LIMIT SWITCHES Environmentally Sealed Switches

## STANDARD ACTUATOR

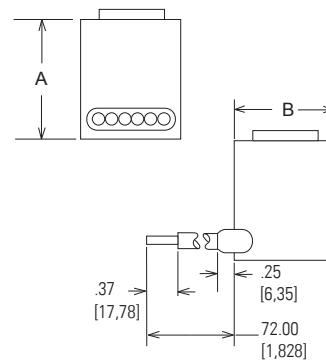
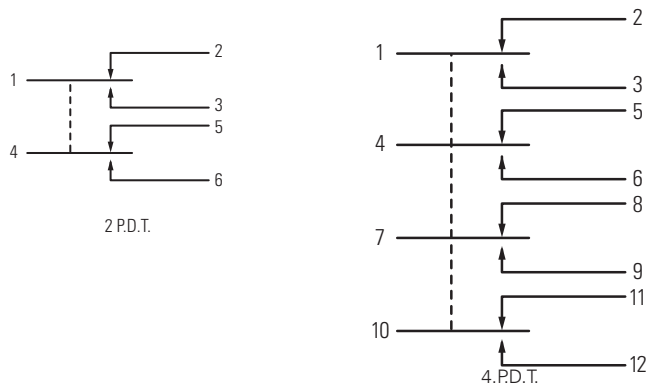


E-2-1/PART 2.A1

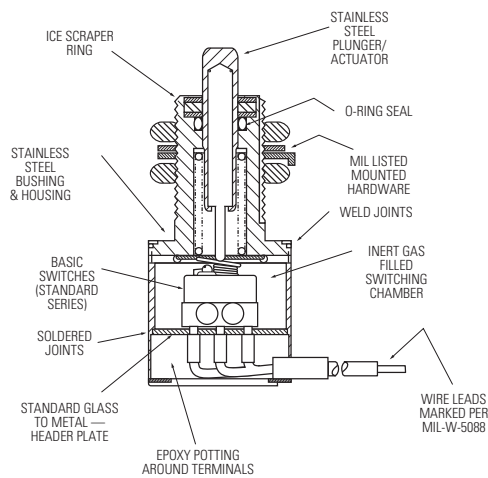
**Plunger Operated** - As with all push-on units, this actuator has an ice scraper for clearing the plunger of ice and debris with each operation.

**Roller Plunger** - For cam and slide actuation. Roller adjusts radially in 45° increments. Cam differential should not exceed 0.125 in., and cam slope should not exceed 30°.

## SCHEMATIC STANDARD BASE



## BASIC CONSTRUCTION



**STANDARD**  
0.00 = inches  
[0,0] = mm

Dimensions for reference only.

# LIMIT SWITCHES

## Series - HH

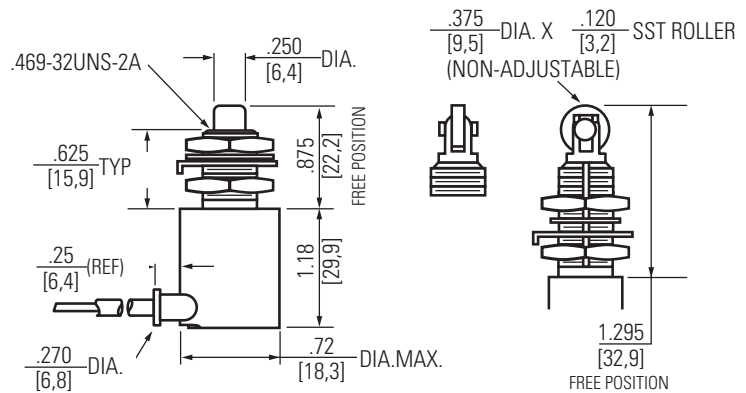
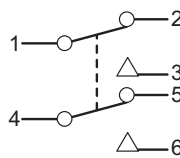
# Hermetically Sealed Switches

FEATURES & SPECIFICATIONS	OPTIONS	CURRENT RATINGS			
		Amperes - 28VDC			
		Resistive	Inductive	Motor	
<ul style="list-style-type: none"> <li>Meets MIL-PRF-8805 Enclosure Design 5 (Hermetic)</li> <li>Mechanical life: 25,000 cycles</li> <li>Electrical life: 25,000 cycles</li> <li>Operating temperature: -65°F to +185°F (-55°C to +85°C)</li> <li>Leak rate less than <math>1 \times 10^{-8}</math></li> <li>Rugged stainless steel construction</li> <li>Inert gas filled</li> </ul>	<ul style="list-style-type: none"> <li>Low level circuitry capability</li> <li>Rear or side exit connector</li> <li>RFI/EMI shielded cable</li> <li>High temperature operation</li> <li>Ball bearing plunger</li> <li>Custom bushing and plunger sizes</li> <li>Roller plunger available in 45° increments</li> <li>Special purpose designs</li> </ul>	Sea Level	7.0	4.0	4.0
		50,000 feet	7.0	2.5	4.0
		Low Level Rating	0.1	0.1	—

### HERMETICALLY SEALED LIMIT SWITCHES

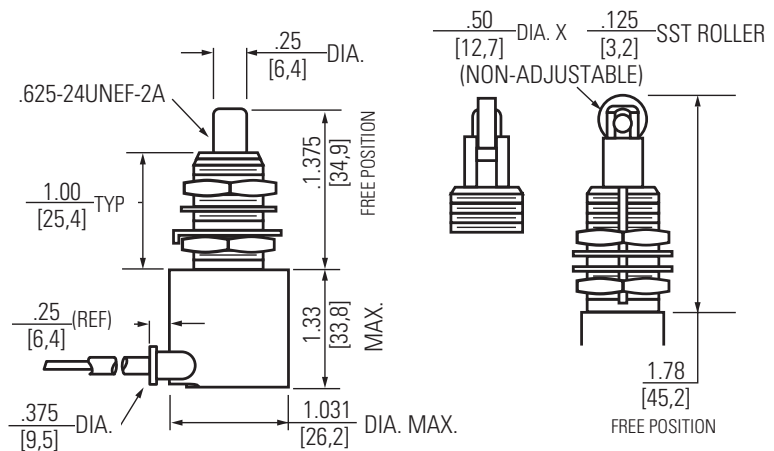
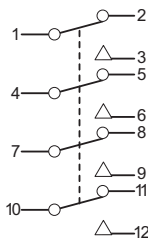
#### TWO POLE MINIATURE

P/N	DESCRIPTION
HH-630A	Plunger Side Exit
HH-630B	Plunger Rear Exit
HH-631A	Roller Side Exit
HH-631B	Roller Rear Exit



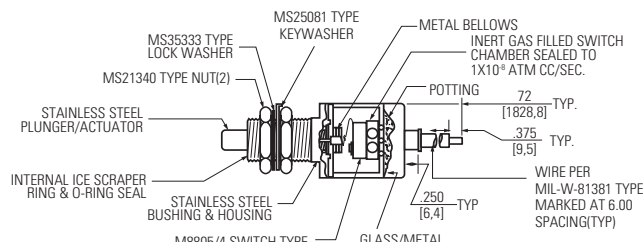
#### FOUR POLE SERIES

P/N	DESCRIPTION
HH-695A	Plunger Side Exit
HH-695B	Plunger Rear Exit
HH-696A	Roller Side Exit
HH-696B	Roller Rear Exit



### TYPICAL CONSTRUCTION - REAR EXIT DESIGN

HARDWARE SUPPLIED  
UNASSEMBLED



**STANDARD**  
0.00 = inches  
[0,0] = mm

Dimensions for reference only.

## SECTION F

### Switch Guards & Shields

---

#### Index

F1



#### Switch Guards

F2 - F6

- Prevent accidental operation of switches
- Switch operation limited to selected functions
- Adaptable to one, two and four pole configurations
- One hole or flush mounted variations



#### Pushbutton Shields

F7

- Guard pushbuttons against accidental operation
- Fit most pushbutton switches
- Three different styles
- Three different colors

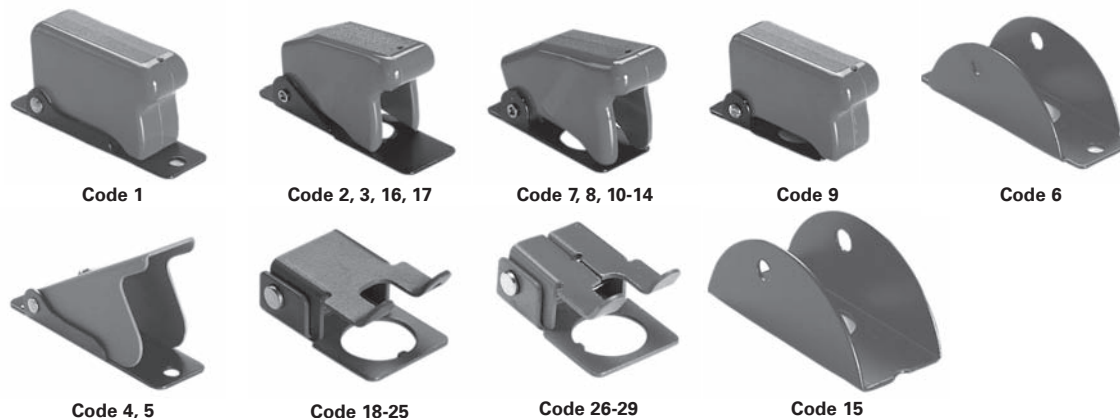
*\*Most items listed in this catalog are standard products and are normally in Distributor Inventory; however, the current inventory status should be checked by contacting your Labinal Power Systems Customer Service Representative at 800-955-7354 or your authorized Distributor before placing orders.*

# SWITCH GUARDS & SHIELDS

## Switch Guards MIL-G-7703 and Industrial Grade

### FEATURES

- For use with 2 or 3 position switches
- Lever covers molded in various colors
- Cover closure transfers toggle lever. See code number for details.
- Metal and molded covers
- Flush and One Hole Mounted (OHM) mounting styles
- MS approved and QPL'd per MIL-G-7703
- Covers are molded out of Thermoset molding materials
- Guard covers are spring loaded to either close or lock in open position
- One hole mounting and three hole mounting available
- Keyway orientation variations offered on some guards



### SELECTION TABLE

Switch Guard Code Number	Switch Mounting	Switch Positions	Lever Material	Color <sup>④</sup>	Marking <sup>②</sup>		Location of Keyway Tab	Military Part Number	Catalog Number
					Hinged End	Other End			
1	Flush	3	Phenolic	Red	—	—	—	MS25223-1	8496K1 <sup>①</sup>
2	Flush	2	Phenolic	Red	—	—	—	MS25224-2	8497K2
3	Flush	3	Phenolic	Red	—	—	—	MS25225-2	8498K2
4	Flush	2	Metal	Green	—	—	—	MS25452-1	8499K1
5	Flush	2	Metal	Green	EMERGENCY	—	—	NAF47851-1	K2
6	Flush/OHM	2 or 3	Metal <sup>③</sup>	Black	—	—	—	MS25221-1	8495K1
7	OHM	3	Phenolic	Red	—	—	Opp. Hinged End	MS25214-2	8494K2
8	OHM	3	Phenolic	Red	—	—	Hinged End	MS25214-3	K3
9	OHM	3	Phenolic	Red	—	—	Opp. Hinged End	MS25223-2	8496K2
10	OHM	2	Phenolic	Red	—	—	Opp. Hinged End	MS25224-1	8497K1
11	OHM	2	Phenolic	Red	—	—	Hinged End	MS25224-3	8497K3
12		2	Phenolic	Red	ON	OFF	Opp. Hinged End	—	K7
13		3	Phenolic	Red	—	—	Opp. Hinged End	MS25225-1	8498K1
14		3	Phenolic	Red	—	—	Hinged End	MS25225-3	K3
15		2 or 3	Metal <sup>③</sup>	Black	—	—	Opp. Pin Hole	MS24417-1	8492K1
16		2 or 3	Phenolic	Red	—	—	Opp. Hinged End	MS27752-1	8498K6
17	OHM	3	Phenolic	Red	—	—	—	MS25214-1	8494K1
18		3		Red	—	—	Hinged End		8493K4
19		3		Red	—	—	Opp. Hinged End		K5
20		2	Metal	Red	—	—	Hinged End	K6	
21		2		Red	—	—	Opp. Hinged End	K7	
22		3		Black	—	—	Hinged End	K8	
23	OHM	3	Metal	Black	—	—	Opp. Hinged End	—	8493K9
24		2		Black	—	—	Hinged End		K10
25		2		Black	—	—	Opp. Hinged End		K11
26		3		Red	—	—	Right Side		K12
27		3		Red	—	—	Left Side		K13
28	OHM	3	Metal	Black	—	—	Right Side	—	K14
29		3		Black	—	—	Left Side		K15

<sup>①</sup> Will not return lever when mounting plate is over .0625 [1,58] thick. <sup>②</sup> Custom lettering or symbols available. <sup>③</sup> Guard has no moving lever. <sup>④</sup> Optional colors: black phenolic available for 8497. Where other colors are required, they are sprayed over standard color.

# SWITCH GUARDS & SHIELDS

## Switch Guards MIL-G-7703 and Industrial Grade

### SPECIFICATIONS

#### **Code 1 and 9**

- For three-position switches
- Returns lever to center position from either extreme
- Guard housing is spring loaded to retain closed position

#### **Code 2, 10, 11 and 12**

- For full throw single throw switches
- Returns lever to OFF position

#### **Code 3, 13 and 14**

- For three-position switches
- Returns lever from up position to center position
- Will not change toggle position when it is in down position

#### **Code 4 and 5**

- For two-position full throw switches
- Permits locking toggle in extreme up position

#### **Code 6 and 15**

- Insertion of pin through guard prevents accidental operation
- Prevents transfer of single throw switches
- Permits operation from first position to center on three-position switches

#### **Code 17**

- For three-position flush mount switches
- Guard lever remains fixed in open or closed position
- Return lever to center position from either extreme

#### **Code 7 and 8**

- For three-position switches
- Returns lever to center position from either extreme
- Guard housing remains fixed in open and closed position

#### **Code 16**

- For two- or three-position switches
- Closing guard does not affect toggle position

#### **Code 18, 19, 22 and 23**

- For three-position switches
- Returns lever from up position to center position
- Will not change toggle position when it is in down position

#### **Code 20, 21, 24 and 25**

- For two-position full throw switches
- Returns lever from up position to down position

#### **Code 26-29**

- For three-position switches
- With both guards in closed position, switch toggle lever is locked in center position. With one guard each in open and closed position, switch can be toggled between center and open guard position; with both guards in open position, switch can be toggled between left, center, and right position.

# SWITCH GUARDS & SHIELDS

## Switch Guard Application Table

Switch Catalog Number <sup>①</sup>	Switch Guard Code Number	Switch Catalog Number <sup>①</sup>	Switch Guard Code Number
8200K7 8201K6, K14 8209K6 8210K7 8211K7	1, 3, 6, 17 2, 4, 5, 6 3, 6 6 2, 6	8837K4 & K94 K5 & K95 K6 & K96 K7 & K97 K8 & K98	10, 11, 15, 16, 20, 21, 24, 25 10, 11, 15, 16, 21, 25 13, 15, 16, 19, 23, 26-29 7, 9, 13, 15, 16 11, 15, 16
8212K6 8500K1 K2 K3 K4	3, 6 7, 9, 13, 14, 15, 16, 18, 19, 22, 23, 26-29 13, 14, 15, 16, 18, 19, 22, 26-29 13, 14, 15, 16, 18, 19, 22, 26-29 10, 11, 15, 16, 20, 21, 24, 25	8837K9 & K99 K10 & K910 K11 & K911 8838K1 & K91 K2 & K92	10, 12, 15, 16, 21, 25 10, 11, 15, 16, 21, 25 10, 11, 15, 16, 21, 25 7, 9, 13, 14, 15, 16, 18, 19, 22, 23, 26-29 13, 14, 15, 16, 18, 19, 22, 26-29
8500K5 K6 K7 K8 K9	10, 11, 15, 16, 21, 25 13, 15, 16, 19, 23, 26-29 7, 9, 13, 15, 16 11, 15, 16 10, 12, 15, 16, 21, 25	8838K3 & K93 K4 & K94 K5 & K95 K6 & K96 K7 & K97	13, 14, 15, 16, 18, 19, 22, 26-29 10, 11, 15, 16, 20, 21, 24, 25 10, 11, 15, 16, 21, 25 13, 15, 16, 19, 23, 26-29 7, 9, 13, 15, 16
8500K10 K11 K12 K13 8501K1	10, 11, 15, 16, 21, 25 10, 11, 15, 16, 21, 25 15, 16 13, 15, 16, 19, 23 7, 9, 13, 14, 15, 16, 18, 19, 22, 23, 26-29	8838K8 & K98 K9 & K99 K10 & K910 K11 & K911 8868K1, K51, K61	11, 15, 16 10, 12, 15, 16, 21, 25 10, 11, 15, 16, 21, 25 10, 11, 15, 16, 21, 25 7, 9, 13, 14, 15, 16, 18, 19, 22, 23, 26-29
8501K2 K3 K4 K5 K6	13, 14, 15, 16, 18, 19, 22, 26-29 13, 14, 15, 16, 18, 19, 22, 26-29 10, 11, 15, 16, 20, 21, 24, 25 10, 11, 15, 16, 21, 25 13, 15, 16, 19, 23, 26-29	8868K2, K52, K62 K3, K53, K63 K4, K54, K64 K5, K55, K65 K6, K56, K66	13, 14, 15, 16, 18, 19, 22, 26-29 13, 14, 15, 16, 18, 19, 22, 26-29 10, 11, 15, 16, 20, 21, 24, 25 10, 11, 15, 16, 21, 25 9, 13, 15, 16
8501K7 K8 K9 K10 K11	7, 9, 13, 15, 16 11, 15, 16 10, 12, 15, 16, 21, 25 10, 11, 15, 16, 21, 25 10, 11, 15, 16, 21, 25	8868K7, K57, K67 K8, K58, K68 8869K1, K1X, K51, K51X, K61, K61X K2, K2X, K52, K52X, K62, K62X K3, K3X, K53, K53X, K63, K63X	10, 12, 15, 16, 21, 25 10, 12, 15, 16, 21, 25 7, 9, 13, 14, 15, 16, 18, 19, 22, 23, 26-29 13, 14, 15, 16, 18, 19, 22, 26-29 13, 14, 15, 16, 18, 19, 22, 26-29
8501K12 K13 K14 thru K19 8502K1 K2	15, 16 13, 15, 16, 19, 23 7, 9, 13, 15, 16, 18, 19, 22, 23, 26-29 7, 9, 13, 14, 15, 16, 18, 19, 22, 23, 26-29 13, 14, 15, 16, 18, 19, 22, 26-29	8869K4, K4X, K54, K54X, K64, K64X K5, K5X, K55, K55X, K65, K65X K6, K6X, K56, K56X, K66, K66X K7, K7X, K57, K57X, K67, K67X 8867K8, K8X, K58, K58X, K68, K68X	10, 11, 15, 16, 20, 21, 24, 25 10, 11, 15, 16, 21, 25 7, 9, 13, 15, 16 10, 12, 15, 16, 21, 25 10, 12, 15, 16, 21, 25
8502K3 K4 K5 K6 K7	13, 14, 15, 16, 18, 19, 22, 23, 26-29 10, 11, 15, 16, 20, 21, 24, 25 10, 11, 15, 16, 21, 25 13, 15, 16, 19, 23, 26-29 7, 9, 13, 15, 16	8869K9, K9X, K59, K59X, K69, K69X K10, K10X, K510, K510X, K610, K610X K11, K11X, K511, K511X, K611, K611X 8854K1 8854K2	7, 9, 13, 14, 15, 16, 18, 19, 22, 23, 26-29 13, 14, 15, 16, 18, 19, 22, 26-29 13, 14, 15, 16, 18, 19, 22, 26-29 7, 9, 13, 14, 15, 16, 18, 19, 22, 23, 26-29 13, 14, 15, 16, 18, 19, 22, 26-29
8502K8 K9 K10 K11 K12	11, 15, 16 10, 12, 15, 16, 21, 25 10, 11, 15, 16, 21, 25 10, 11, 15, 16, 21, 25 15, 16	8854K3 K4 K5 K6 K7	13, 14, 15, 16, 18, 19, 22, 26-29 10, 11, 15, 16, 20, 21, 24, 25 10, 11, 15, 16, 21, 25 7, 9, 13, 15, 16 10, 12, 15, 16, 21, 25
8502K13 K15 thru K17 8700K15 8701K14 8709K15	13, 15, 16, 19, 23 7, 9, 13, 15, 16, 18, 19, 22, 23, 26-29 1, 3, 6, 17 4, 5, 6 3, 6	8854K8 K9 K10 K11	10, 12, 15, 16, 21, 25 7, 9, 13, 14, 15, 16, 18, 19, 22, 23, 26-29 13, 14, 15, 16, 18, 19, 22, 26-29 13, 14, 15, 16, 18, 19, 22, 26-29
8718K5 8740K12 8742K10 8744K10 8790K4	3, 6 2, 6 3, 6, 17 2, 6 6	8570K1-16, -20 K2-16, -20 K3-16, -20 K4-16, -20 K5-16, -20	7, 9, 13, 14, 16, 18, 19, 22, 23, 26-29 13, 14, 16, 18, 19, 22, 26-29 13, 14, 16, 18, 19, 22, 26-29 10, 11, 16, 20, 21, 24, 25 10, 11, 16, 21, 25
8792K3 8836K1 & K91 K2 & K92 K3 & K93 K4 & K94	6 7, 9, 13, 14, 15, 16, 18, 19, 22, 23, 26-29 13, 14, 15, 16, 18, 19, 22, 26-29 13, 14, 15, 16, 18, 19, 22, 26-29 10, 11, 15, 16, 20, 21, 24, 25	8570K6-16, -20 K7-16, -20 K8-16, -20 K9-16, -20 K10-16, -20	13, 16, 19, 23, 26-29 7, 9, 13, 16 11, 16 10, 12, 16, 21, 25 10, 11, 16, 21, 25
8836K5 & K95 K6 & K96 K7 & K97 K8 & K98 K9 & K99	10, 11, 15, 16, 21, 25 13, 15, 16, 19, 23, 26-29 7, 9, 13, 15, 16 11, 15, 16 10, 12, 15, 16, 21, 25	8570K11-16, -20 K12-16, -20 K13-16, -20 8571K1-16, -20 K2-16, -20	10, 11, 16, 21, 25 16 13, 16, 19, 23 7, 9, 13, 14, 16, 18, 19, 22, 23, 26-29 13, 14, 16, 18, 19, 20, 26-29
8836K10 & K910 K11 & K911 8837K1 & K91 K2 & K92 K3 & K93	10, 11, 15, 16, 21, 25 10, 11, 15, 16, 21, 25 7, 9, 13, 14, 15, 16, 18, 19, 22, 23, 26-29 13, 14, 15, 16, 18, 19, 22, 26-29 13, 14, 15, 16, 18, 19, 22, 26-29	8571K3-16, -20 K4-16, -20 K5-16, -20 K6-16, -20 K7-16, -20	13, 14, 16, 18, 19, 22, 26-29 10, 11, 16, 20, 21, 24, 25 10, 11, 16, 21, 25 13, 16, 19, 23, 26-29 7, 9, 13, 16

① Listing covers only those switches that can be used with a switch guard.



# SWITCH GUARDS & SHIELDS

## Switch Guard Application Table

Switch Catalog Number <sup>①</sup>	Switch Guard Code Number	Switch Catalog Number <sup>①</sup>	Switch Guard Code Number
8571K8-16, -20 K9-16, -20 K10-16, -20 K11-16, -20 K12-16, -20	11, 16 10, 12, 16, 21, 25 10, 11, 16, 21, 25 10, 11, 16, 21, 25 16	8520K1 K4 K9 8521K1 K4	7, 9, 13, 14, 15, 16, 18, 19, 22, 23, 26-29 10, 11, 15, 16, 20, 21, 24, 25 10, 12, 15, 16, 21, 25 7, 9, 13, 14, 15, 16, 18, 19, 22, 23 10, 11, 15, 16, 20, 21, 24, 25
8571K13-16, -20 K17-16, -20 K18-16, -20 K19-16, -20 8572K1-16, -20	13, 16, 19, 23 7, 9, 13, 16, 18, 19, 22, 23, 26-29 13, 14, 16, 18, 19, 22, 26-29 13, 14, 16, 18, 19, 22, 26-29 7, 9, 13, 14, 16, 18, 19, 22, 23, 26-29	8521K9 8522K1 K4 K9 8526K2	10, 12, 15, 16, 20, 21, 24, 25 7, 9, 13, 14, 15, 16, 18, 19, 22, 23, 26-29 10, 11, 15, 16, 20, 21, 24, 25 10, 12, 15, 16, 21, 25 13, 14, 15, 16, 18, 19, 22, 26-29
8572K2-16, -20 K3-16, -20 K4-16, -20 K5-16, -20 K6-16, -20	13, 14, 16, 18, 19, 22, 26-29 13, 14, 16, 20, 21, 24, 25 10, 11, 16, 20, 21, 24, 25 10, 11, 16, 21, 25 13, 16, 19, 23, 26-29	8526K3 K5 8527K2 K3 K5	13, 14, 15, 16, 18, 19, 22, 26-29 10, 11, 15, 16, 21, 25 13, 14, 15, 16, 18, 19, 22, 26-29 13, 14, 15, 16, 18, 19, 22, 26-29 10, 11, 15, 16, 21, 25
8572K7-16, -20 K8-16, -20 K9-16, -20 K10-16, -20 K11-16, -20	7, 9, 13, 16 11, 16 10, 12, 16, 21, 25 10, 11, 16, 21, 25 10, 11, 16, 21, 25	8528K2 K3 K5 8530K1, K31, K91 K2, K32, K92	13, 14, 15, 16, 18, 19, 22, 26-29 13, 14, 15, 16, 18, 19, 22, 26-29 10, 11, 15, 16, 21, 25 7, 9, 13, 14, 15, 16, 18, 19, 22, 23, 26-29 13, 14, 15, 16, 18, 19, 22, 26-29
8572K12-16, -20 K13-16, -20 K15-16, -20 K16-16, -20 K17-16, -20	16 13, 16, 19, 23 7, 9, 13, 16, 18, 19, 22, 23, 26-29 13, 14, 16, 18, 19, 22, 26-29 13, 14, 16, 18, 19, 22, 26-29	8530K3, K33, K93 K4, K34, K94 K5, K35, K95 K6, K36, K96 K7, K37, K97	13, 14, 15, 16, 18, 19, 22, 26-29 10, 11, 15, 16, 20, 21, 24, 25 10, 11, 15, 16, 21, 25 13, 15, 16, 19, 23, 26-29 7, 9, 13, 15, 16
8510K1 K2 K3 K4 K5	7, 9, 13, 14, 15, 16, 18, 19, 22, 23, 26-29 13, 14, 15, 16, 18, 19, 22, 26-29 13, 14, 15, 16, 18, 19, 22, 26-29 10, 11, 15, 16, 20, 21, 24, 25 10, 11, 16, 21, 25	8530K8, K38, K98 K9, K39, K99 K10, K310, K910 K11, K311, K911 K12, K312, K912	11, 15, 16 10, 12, 15, 16, 21, 25 10, 11, 15, 16, 21, 25 10, 11, 15, 16, 21, 25 15, 16
8510K6 K7 K8 K9 K10	13, 15, 16, 18, 23, 26-29 7, 9, 13, 15, 16 11, 15, 16 10, 12, 15, 16, 21, 25 10, 11, 15, 16, 21, 25	8530K13, K313, K913 8531K1, K31, K91 K2, K32, K92 K3, K33, K93 K4, K34, K94	13, 15, 16, 19, 23 7, 9, 13, 14, 15, 18, 19, 22, 23, 26-29 13, 14, 15, 16, 18, 19, 22, 26-29 13, 14, 15, 16, 18, 19, 22, 26-29 10, 11, 15, 16, 20, 21, 24, 25
8510K11 K12 K13 8511K1 K2	10, 11, 15, 16, 21, 25 15, 16 13, 15, 16, 19, 23 7, 9, 13, 14, 15, 16, 18, 19, 22, 23, 26-29 13, 14, 15, 16, 18, 19, 22, 26-29	8531K5, K35, K95 K6, K36, K96 K7, K37, K97 K8, K38, K98 K9, K39, K99	10, 11, 15, 16, 21, 25 13, 15, 16, 19, 23, 26-29 7, 9, 13, 15, 16 11, 15, 16 10, 12, 15, 16, 21, 25
8511K3 K4 K5 K6 K7	13, 14, 15, 16, 18, 19, 22, 26-29 10, 11, 15, 16, 20, 21, 24, 25 10, 11, 15, 16, 21, 25 13, 15, 16, 19, 23, 26-29 7, 9, 13, 15, 16	8531K10, K310, K910 K11, K311, K911 K12, K312, K912 K13, K313, K913 K14, K314, K914	10, 11, 15, 16, 21, 25 10, 11, 15, 16, 21, 25 15, 16 13, 15, 16, 19, 23 7, 9, 13, 15, 16, 18, 19, 22, 23, 26-29
8511K8 K9 K10 K11 K12	11, 15, 16 10, 12, 15, 16, 21, 25 10, 11, 15, 16, 21, 25 10, 11, 15, 16, 21, 25 15, 16	8531K15, K315, K915 K16, K316, K916 K17, K317, K917 K18, K318, K918 K19, K319, K919	13, 14, 15, 16, 18, 19, 22, 26-29 13, 14, 15, 16, 18, 19, 22, 26-29 7, 9, 13, 15, 16, 18, 19, 22, 23, 26-29 13, 14, 15, 16, 18, 19, 22, 26-29 13, 14, 15, 16, 18, 19, 22, 26-29
8511K13 K14 K15 K16 8512K1	13, 15, 16, 18, 23 7, 9, 13, 15, 16, 18, 19, 22, 23, 26-29 13, 14, 15, 16, 18, 19, 22, 26-29 13, 14, 15, 16, 18, 19, 22, 26-29 7, 9, 13, 14, 15, 16, 18, 19, 22, 23, 26-29	8532K1, K31, K91 K2, K32, K92 K3, K33, K93 K4, K34, K94 K5, K35, K95	7, 9, 13, 14, 15, 16, 18, 19, 22, 23, 26-29 13, 14, 15, 16, 18, 19, 22, 26-29 13, 14, 15, 16, 18, 19, 22, 26-29 10, 11, 15, 16, 20, 21, 24, 25 10, 11, 15, 16, 21, 25
8512K2 K3 K4 K5 K6	13, 14, 15, 16, 18, 19, 22, 26-29 13, 14, 15, 16, 18, 19, 22, 26-29 10, 11, 15, 16, 20, 21, 24, 25 10, 11, 15, 16, 21, 25 13, 15, 16, 19, 23, 26-29	8532K6, K36, K96 K7, K37, K97 K8, K38, K98 K9, K39, K99 K10, K310, K910	13, 15, 16, 19, 23, 26-29 7, 9, 13, 15, 16 11, 15, 16 10, 12, 15, 16, 21, 25 10, 11, 15, 16, 21, 25
8512K7 K8 K9 K10 K11 8512K12 K13 K15 K16 K17	7, 9, 13, 15, 16 11, 15, 16 10, 12, 15, 16, 21, 25 10, 11, 15, 16, 21, 25 10, 11, 15, 16, 21, 25 15, 16 13, 15, 16, 19, 23 7, 9, 13, 15, 16, 18, 19, 22, 23, 26-29 13, 14, 15, 16, 18, 19, 22, 26-29 13, 14, 15, 16, 18, 19, 22, 26-29	8532K11, K311, K911 K12, K312, K912 K13, K313, K913 K15, K315, K915 K16, K316, K916 8532K17, K317, K917	10, 11, 15, 16, 21, 25 15, 16 13, 15, 16, 19, 23 7, 9, 13, 15, 16, 18, 19, 22, 23, 26-29 13, 14, 15, 16, 18, 19, 22, 26-29 13, 14, 15, 16, 18, 19, 22, 26-29

<sup>①</sup> Listing covers only those switches that can be used with a switch guard.

# SWITCH GUARDS & SHIELDS

## Switch Guard Application Table

Switch Catalog Number <sup>①</sup>	Switch Guard Code Number	Switch Catalog Number <sup>①</sup>	Switch Guard Code Number
A3-10 SERIES	10, 12, 15, 16, 21, 25	A3-206-06	10, 11, 15, 16, 21, 25
A3-32 SERIES	10, 11, 15, 16, 20, 21, 24, 25	-07	10, 11, 15, 16, 21, 25
A3-33 SERIES	10, 11, 15, 16, 20, 21, 24, 25	A3-208-01	7, 9, 13, 14, 15, 16, 18, 19, 22, 23
A3-40 SERIES	10, 11, 15, 16, 20, 21, 24, 25	-02	13, 14, 15, 16, 18, 19, 22, 26-29
A3-200-01	7, 9, 13, 14, 15, 16, 18, 19, 22, 23	-03	13, 14, 15, 16, 18, 19, 22, 26-29
A3-200-02	13, 14, 15, 16, 18, 19, 22, 26-29	A3-208-04	13, 14, 15, 16, 18, 19, 22, 26-29
-03	13, 14, 15, 16, 18, 19, 22, 26-29	-05	10, 11, 15, 16, 20, 21, 24, 25
-04	13, 14, 15, 16, 18, 19, 22, 26-29	-06	10, 11, 15, 16, 21, 25
-05	10, 11, 15, 16, 20, 21, 24, 25	-07	10, 11, 15, 16, 21, 25
A3-200-07	10, 11, 15, 16, 21, 25	A3-210-02	13, 14, 15, 16, 18, 19, 22, 26-29
A3-202-01	7, 9, 13, 14, 15, 16, 18, 19, 22, 23	-03	13, 14, 15, 18, 19, 22, 26-29
-02	13, 14, 15, 16, 18, 19, 22, 26-29	-04	13, 14, 15, 16, 18, 19, 22, 26-29
-03	13, 14, 15, 16, 18, 19, 22, 26-29	-05	10, 11, 15, 16, 20, 21, 24, 25
-04	13, 14, 15, 16, 18, 19, 22, 26-29	-06	10, 11, 15, 16, 21, 25
A3-202-05	10, 11, 16, 20, 21, 24, 25	A3-210-07	10, 11, 15, 16, 21, 25
-06	10, 11, 15, 16, 21, 25	A3-212-01	7, 9, 13, 14, 15, 16, 18, 19, 22, 23
-07	10, 11, 15, 16, 21, 25	-02	13, 14, 15, 16, 18, 19, 22, 26-29
A3-204-01	7, 9, 13, 14, 15, 16, 18, 19, 22, 23	-03	13, 14, 15, 16, 18, 19, 22, 26-29
-02	13, 14, 15, 16, 18, 19, 22, 26-29	-04	13, 14, 15, 16, 18, 19, 22, 26-29
A3-204-03	13, 14, 15, 16, 18, 19, 22, 26-29	A3-212-05	10, 11, 15, 16, 20, 21, 24, 25
-04	13, 14, 15, 16, 18, 19, 22, 26-29	-06	10, 11, 15, 16, 21, 25
-05	10, 11, 15, 16, 20, 21, 24, 25	-07	10, 11, 15, 16, 21, 25
-06	10, 11, 15, 16, 21, 25	A3-214-01	7, 9, 13, 14, 15, 16, 18, 19, 22, 23
-07	10, 11, 15, 16, 21, 25	-02	12, 14, 15, 16, 18, 19, 22, 26-29
A3-206-01	7, 9, 13, 14, 15, 16, 18, 19, 22, 23	A3-214-03	13, 14, 15, 16, 18, 19, 22, 26-29
-02	13, 14, 15, 16, 18, 19, 22, 26-29	-04	13, 14, 15, 16, 18, 19, 22, 26-29
-03	13, 14, 15, 16, 18, 19, 22, 26-29	-05	10, 11, 15, 16, 20, 21, 24, 25
-04	13, 14, 15, 16, 18, 19, 22, 26-29	-06	10, 11, 15, 16, 21, 25
-05	10, 11, 15, 16, 20, 21, 24, 25	-07	10, 11, 15, 16, 21, 25

① Listing covers only those switches that can be used with a switch guard.

# SWITCH GUARDS & SHIELDS

## Pushbutton Shields for Series C100, D200W, H2200, J300, W100 and WC1500 Switches

FEATURES	DESCRIPTION
----------	-------------

- |  |  |
|--|--|
| <ul style="list-style-type: none"> <li>Protection against accidental actuation</li> <li>Rugged construction</li> <li>Anodized for corrosion protection</li> <li>Threaded or unthreaded</li> <li>Available in black, clear or red</li> <li>Various size ranges</li> </ul> | <p>These anodized aluminum shields guard pushbuttons against accidental operation. Internally threaded and unthreaded, the shields are usually used on basic switches in place of mounting adapters, although Type W or other narrow adapters can be used with shields. Consult switch and adapter drawings for proper thread size when ordering shields. Order shields separately by part number.</p> |
|--|--|

### SELECTION TABLE

	Type	Active P/N	Obsolete P/N	Color	Dimension "A"	Dimension "B"	Dimension "C"	Dimension "D"	Dimension "E"		
	Knurled Shields	73-2474	120011	Clear Anodized	.625"	.875"	.500"	1/2-32 NS-2B	—		
		73-2474-2	102012	Black Anodized	.625"	.875"	.500"	1/2-32 NS-2B	—		
		73-2474-3	102012	Red Anodized	.625"	.875"	.500"	1/2-32 NS-2B	—		
		73-2475	120016	Clear Anodized	.406"	.875"	.281"	1/2-32 NS-2B	—		
		73-2475-2	120017	Black Anodized	.406"	.875"	.281"	1/2-32 NS-2B	—		
		73-2475-3	120018	Red Anodized	.406"	.875"	.281"	1/2-32 NS-2B	—		
	Knurled Shields	73-2486	120081	Clear Anodized	.406"	.875"	.281"	5/8-24 NEF-2B	—		
		73-2486-2	120082	Black Anodized	.406"	.875"	.281"	5/8-24 NEF-2B	—		
		73-2486-3	120083	Red Anodized	.406"	.875"	.281"	5/8-24 NEF-2B	—		
		73-2487	120091	Clear Anodized	.406"	.875"	.281"	15/32-32 NS-2B	—		
		73-2487-2	120092	Black Anodized	.406"	.875"	.281"	15/32-32 NS-2B	—		
		73-2487-3	120093	Red Anodized	.406"	.875"	.281"	15/32-32 NS-2B	—		
			Smooth Shields	73-2478	120031	Clear Anodized	.688"	.957"	.641"	1/2" HOLE	—
				73-2478-2	120032	Black Anodized	.688"	.957"	.641"	1/2" HOLE	—
73-2478-3	120033			Red Anodized	.688"	.957"	.641"	1/2" HOLE	—		
Smooth Shields	73-2479		120036	Clear Anodized	.844"	.957"	.719"	5/8-24 NEF-28	—		
	73-2479-2		120037	Black Anodized	.844"	.957"	.719"	5/8-24 NEF-28	—		
	73-2479-3		120038	Red Anodized	.844"	.957"	.719"	5/8-24 NEF-28	—		
	Rolled Edge Shields	73-2476	120021	Clear Anodized	.422"	1.063"	.375"	1/2" HOLE	61/64		
		73-2476-2	120022	Black Anodized	.422"	1.063"	.375"	1/2" HOLE	61/64		
		73-2476-3	120023	Red Anodized	.422"	1.063"	.375"	1/2" HOLE	61/64		
		73-2477	120026	Clear Anodized	.688"	1.063"	.641"	1/2" HOLE	61/64		
		73-2477-2	120027	Black Anodized	.688"	1.063"	.641"	1/2" HOLE	61/64		
		73-2477-3	120028	Red Anodized	.688"	1.063"	.641"	1/2" HOLE	61/64		
		73-2480	120041	Clear Anodized	.422"	1.063"	.375"	5/8" HOLE	61/64		
		73-2480-2	120042	Black Anodized	.422"	1.063"	.375"	5/8" HOLE	61/64		
		73-2480-3	120043	Red Anodized	.422"	1.063"	.375"	5/8" HOLE	61/64		
		73-2481	120046	Clear Anodized	.610"	1.188"	.563"	5/8" HOLE	1 3/32		
		73-2481-3	120048	Red Anodized	.610"	1.188"	.563"	5/8" HOLE	1 3/32		
		73-2485	120071	Clear Anodized	.688"	1.063"	.641"	5/8" HOLE	61/64		
		73-2485-2	120072	Black Anodized	.688"	1.063"	.641"	5/8" HOLE	61/64		
		73-2485-3	120073	Red Anodized	.688"	1.063"	.641"	5/8" HOLE	61/64		
		Rolled Edge Shields	73-2488	120106	Clear Anodized	.500"	1.063"	.375"	5/8-24 NEF-2B	61/64	
			73-2488-2	120107	Black Anodized	.500"	1.063"	.375"	5/8-24 NEF-2B	61/64	
			73-2488-3	120108	Red Anodized	.500"	1.063"	.375"	5/8-24 NEF-2B	61/64	
			73-2489-2⓪	120127	Clear Anodized	.719"	1.063"	.594"	5/8-24 NEF-2B	61/64	
	73-2489-3⓪		120128	Black Anodized	.719"	1.063"	.594"	5/8-24 NEF-2B	61/64		
	73-2489-4⓪		120129	Red Anodized	.719"	1.063"	.594"	5/8-24 NEF-2B	61/64		
	73-2490	120146	Clear Anodized	.547"	1.063"	.500"	5/8" HOLE	61/64			
	73-2490-2	120147	Red Anodized	.547"	1.063"	.500"	5/8" HOLE	61/64			
	73-2490-3	120148	Black Anodized	.547"	1.063"	.500"	5/8" HOLE	61/64			

⓪ May also be used with following mounting adapter types: A, B, D, DA, E, HA, P, PA, U, W.

NOTES

**Index**

**G1**



**Protective Seals**

**G2**

- Panel seal for One Hole Mounting (OHM)
- O-Ring seals for panel mounting
- Switch boots



**Attachable Tips**

**G3**

- Vinyl slip-on types
- Fluorescent tips
- Thermoplastic shaped levers
- 3-Cateye lever assembly



**Mounting and Terminal Hardware**

**G4 - G6**

- Replacement hardware for military switches
- Optional hardware
- Mounting adapters for thick panel mounting
- Pushbutton mounting adapter

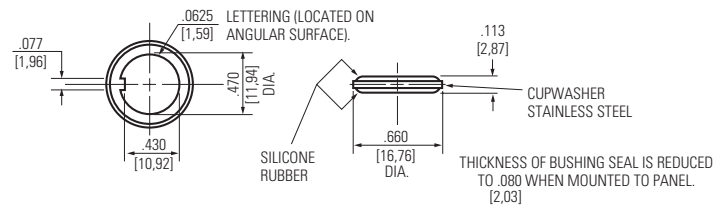
*\*Most items listed in this catalog are standard products and are normally in Distributor Inventory; however, the current inventory status should be checked by contacting your Labinal Power Systems Customer Service Representative at 800-955-7354 or your authorized Distributor before placing orders.*

# SECTION G - ACCESSORIES

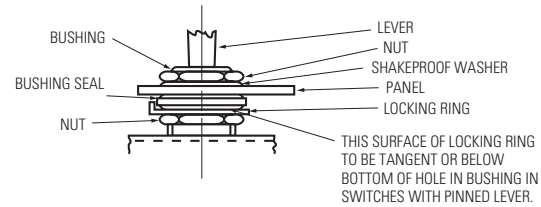
## Protective Seals

### PANEL SEAL PART NO. 32-341

- Prevents moisture and contaminants from entering panel enclosure
- Behind panel mounting
- Stainless steel cup washer assures proper seating of silicone rubber seal
- Seal withstands 20 psi water pressure
- MIL part number M5423/16-001 (Supercedes MIL part number MS25196-1)



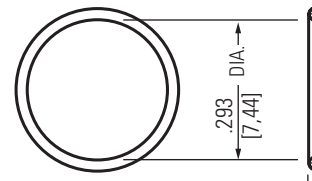
INSTRUCTIONS FOR ASSEMBLING BUSHING SEAL



BUSHING SEAL TO BE ASSEMBLED SO THAT SURFACE, WITH MARKING "BOTTOM," IS DOWN. LOCKING RING CAN BE ASSEMBLED WITH EAR EITHER UP OR DOWN.

### "O" RING SEAL PART NO. 32-239-15

- Replacement panel seal for miniature positive action switches (8866 and 8867)
- Prevents entrance of contaminants into the panel enclosure
- Silicone rubber



### SWITCH BOOTS SELECTION TABLE

#### Specifications

- Flexible silastic material prevents contaminants from entering switch
- 49-2030-2 designed for sealing Military high capacity switches (1-11/16" large lever)
- Popular 8864K2 consists of a boot 49-2033-2, nut 15-567, flexible washer 16-3084 and metal washer 16-1382

Application	Catalog or Part Number
Flush Mounted Switches	49-2030-2
One Hole Mounted Switches	8864K2

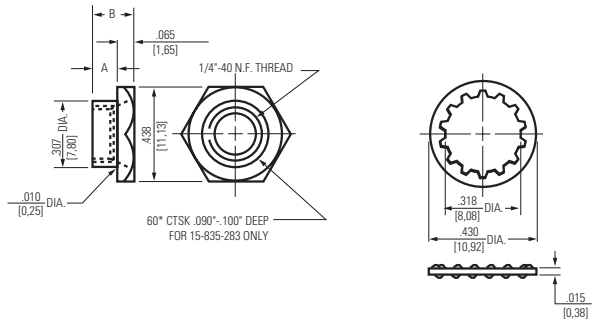


# ACCESSORIES

## Adapter Nut and Attachable Tips

### MOUNTING ADAPTER NUT FOR MINIATURE POSITIVE ACTION

- For 8866 and 8867 type miniature switches
- Facilitates thick panel mounting
- Three adapter sizes available



### SELECTION TABLE



Dimension "A"	Dimension "B"	Panel Thickness (in.)		Part Number
		Standard Without Optional Lockwasher	With Optional Lockwasher Pt. No. 16-1880	
.067 [1,70] .077 [1,95]	.137 [3,47] Nominal	.107 [2,71] .157 [3,98]	.090 [2,28] .140 [3,55]	15-835
.129 [3,27] .139 [3,53]	.199 [5,05] Nominal	.169 [4,29] .219 [5,56]	.152 [3,86] .202 [5,13]	15-835-3
.192 [4,87] .202 [5,13]	.262 [6,65] Nominal	.232 [5,89] .282 [7,16]	.215 [5,46] .265 [6,73]	15-835-2

**Mounting Adapter Nut**

### ATTACHABLE TIPS

- Facilitates identification of various switch functions
- 24-1939 tips nickel-plated for corrosion resistance
- 24-1939 tips snap on and are held by strong clip action at the base
- Vinyl slip-on lever caps available for both miniature and standard bat lever switches

### SELECTION TABLE



**Part Numbers**  
49-4307 and 49-4308

**Part Numbers**  
49-4157 thru 49-4159

Application	Type of Tip	Government Part Number	Part Number
<b>Attachable Tips</b>			
Standard Bat Lever Switches	Fluorescent	AN3221-1	24-1939
<b>Vinyl Slip-On Lever Caps</b>			
Standard Bat Lever Switches	Black	-	49-4307
	Red	-	49-4308
Miniature Bat Lever Switches	Black	-	49-4157
	Red	-	49-4158
	White	-	49-4159



**Part Number**  
24-1939

# ACCESSORIES

## Mounting and Terminal Hardware

Switch Catalog Number	Mounting Hardware <sup>①</sup>				Terminal Hardware <sup>①</sup>			
	Lock Nut	Face Nut	Lock Washer	Locking Ring	Terminal Screws	Terminal Lug or Nut	Lock Washer	Misc. Hardware
8500-8505 8510-8515 8520-8528 8530-8538 8540-8548	15-966-6 15-966-6 15-966-6 15-966-6 —	15-966-6 15-966-6 15-966-6 15-966-6 —	16-886 16-886 16-886 16-886 —	29-761 29-761 29-761 29-761 —	11-2379 11-2379 11-2379 11-2379 11-2379	— — — — —	— — — — —	— — — — —
8566-8568 8570-8575 8780-8782 8790-8792 8836-8838	15-966-6 15-966-6 — — 15-966-6	15-966-6 15-966-6 — — 15-966-6	16-886 16-886 — — 16-886	29-761 29-761 — — 29-761	11-2379 — — — 11-2379	— — 815-601-3 815-601-3 —	— — 16-365-2 16-3493 —	— — 16-4640 821-1114-6 —
8843-8845 8855-8856 8866-8867 8868-8869 A11200	15-966-6 15-966-6 — 15-966-6 15-1577	15-966-6 15-966-6 15-454-13 15-966-6 Adapter	16-886 16-886 16-1751 16-886 16-3207	29-761 29-761 — 29-761 —	11-2379 — — — 11-4177	— — — — 80-4961	— — — — 16-3257-22	— — 32-239-15 — —
A1224BT A1285BT A20267 A20271 A20272	— — — — —	15-1574 15-1574 15-1594 15-1594 15-1594	16-3209 16-3209 15-3215-3 16-3215-3 16-3215-3	— — 52-2075 52-2075 52-2075	11-4074 11-4074 — — —	— — — — —	16-3257-12 16-3257-12 — — —	— — — — —
A20273 A3-200 thru A3-215 A3-32-270 A3-41-270 thru A3-48-270	— 15-1594 — — 15-1591	15-1594 15-1594 15-1596 15-1591	16-3215-3 16-3215 16-3255-23 —	52-2075 52-2050 52-2041-6 52-20511	— — — —	— — — —	— — — —	— — — —
A3-54-103 A3-54-270 A3-55-270 A4-5-270 A4-6-270	15-1596 15-1596 15-1596 15-1591 15-1591	15-1623-2 15-1623-2 15-1623-2 15-1591 15-1591	16-3255-23 16-3255-23 16-3255-23 — —	52-2041-6 52-2041-6 52-2041-6 52-2051 52-2051	— — — — —	— — — — —	— — — — —	— — — — —
A4-7-270 A4-18-270 A4-63-110 A4-86-270 A800	15-1666-6 15-1666-6 15-1666-6 15-1666-6 15-1572	15-1566-6 15-1566-6 15-1566-6 15-1566-6 Adapter	— — — — 16-3209	52-2041-6 52-2041-6 52-2041-6 52-2041-6 —	— — — — 11-4177	— — — — 80-4961	— — — — 16-3257-22	— — — — —
AT1226 B7070 B7070B B7070BR B7070R	— 15-1580-4 15-1580-3 15-1580-3 15-1580-4	15-1572 15-1580-4 15-1580-3 15-1580-3 15-1580-4	16-3209 16-3255-16 16-3255-16 16-3255-16 16-3255-16	52-2039 — — — —	— — — — —	— — — — —	— — — — —	— — — — —
B9001B B9001BB B9001BR B9001R B9002B	15-1580-4 15-1580-3 15-1580-3 15-1580-4 15-1580-4	15-1580-4 15-1580-3 15-1580-3 15-1580-4 15-1580-4	16-3255-16 16-3255-16 16-3255-16 16-3255-16 16-3255-16	— — — — —	— — — — —	— — — — —	— — — — —	— — — — —
B9002BB B9002BR B9002R B9021BB thru B9021CR B9022BB thru B9022CR	15-1580-3 15-1580-3 15-1580-4 15-1568 15-1568	15-1580-3 15-1580-3 15-1580-4 — —	16-3255-16 16-3255-16 16-3255-16 16-3203 16-3203	— — — — —	— — — — —	— — — — —	— — — — —	— — — — —
BR7070 BW9001B BW9001BB BW9001BR BW9001R	15-1580-4 15-1580-4 15-1580-3 15-1580-3 15-1580-4	15-1580-4 15-1580-4 15-1580-3 15-1580-3 15-1580-4	16-3255-16 16-3255-16 16-3255-16 16-3255-16 16-3255-16	— — — — —	— — — — —	— — — — —	— — — — —	— — — — —
BW9002B BW9002BB BW9002BR BW9002R BW9021BB thru BW9021CR	15-1580-4 15-1580-3 15-1580-3 15-1580-4 15-1568	15-1580-4 15-1580-3 15-1580-3 15-1580-4 —	16-3255-16 16-3255-16 16-3255-16 16-3255-16 16-3203	— — — — —	— — — — —	— — — — —	— — — — —	— — — — —
BW9022BB thru BW9022CR C100 Series w/adaptor C200 Series w/adaptor TW3103 TW3113	15-1568 15-1572* 15-1572* 15-1580 15-1580	— Adapter Adapter 15-1580 15-1580	16-3203 16-3209* 16-3209* — —	— — — 52-2043 52-2043	— 11-4177 11-4177 — —	— 80-4961 80-4961 — —	— 16-3257-22 16-3257-22 — —	— — — — —

① Hardware items are sold as replacement parts for Labinal Power Systems switches only.

\*Locking nut 15-1597 and washer 16-3209-2 furnished with black finished devices.



# ACCESSORIES

## Mounting and Terminal Hardware

Switch Catalog Number	Mounting Hardware <sup>①</sup>				Terminal Hardware <sup>①</sup>			
	Lock Nut	Face Nut	Lock Washer	Locking Ring	Terminal Screws	Terminal Lug or Nut	Lock Washer	Misc. Hardware
TW20000	15-1582	15-1582	16-3202	52-2046	--	--	--	--
TW20001	15-1582	15-1582	16-3202	52-2046	--	--	--	--
TW20002	15-1582	15-1582	16-3202	52-2046	--	--	--	--
W100 Series w/adapter	15-1572*	Adapter	16-3209*	--	11-4177	80-4961	16-3257-22	--
W1501	15-1573	Adapter	16-3201	--	--	--	--	--
W1501R	15-1573	Adapter	16-3201	--	--	--	--	--
W301	--	15-1577	16-3207	--	--	--	--	--
W302	--	15-1577	16-3207	--	--	--	--	--
W303	--	15-1577	16-3207	--	--	--	--	--
W403P6	15-1572	Adapter	16-3207	--	--	--	--	--
W403P6R	15-1572	Adapter	16-3209	--	--	--	--	--
W9001 thru W9006 Series	15-1572	Adapter	16-3209	52-2042	--	--	--	--
W9601 thru W9606 Series	15-1572	Adapter	16-3209 and 16-3113	--	11-4177	80-4961	16-3257-22	--
W9623 Series	15-1572	Adapter	16-3209 and 16-3113	--	11-4177	80-4961	16-3257-22	--
W150 Series	15-1572*	Adapter	16-3209*	--	--	--	--	--
C20050 Series	--	15-1577	16-3207	--	11-4177	80-4961	16-3257-22	--
C3100 Series	15-1577	15-1577	16-3207	--	11-4177	80-4961	16-3257-22	--
C4100 Series	15-1577	15-1577	16-3207	--	11-4177	80-4961	16-3257-22	--
D201 thru D207 Series	15-1576 or 15-1577 or 15-1579	Adapter	16-3204 or 16-3207 or 16-3210	--	11-4082	--	16-3257-22	--
H11-330	15-1637	15-1637	16-3255-23	52-2041-6	--	--	--	--
H11-331	15-1637	15-1637	16-3255-23	52-2041-6	--	--	--	--
H11-334	15-1637	15-1637	16-3255-23	52-2041-6	--	--	--	--
H11-335	15-1618-2	15-1618-2	16-3209	52-2055	--	--	--	--
H11-374	15-1637	15-1637	16-3255-23	52-2041-6	--	--	--	--
H11-375	15-1718-2	15-1618-2	16-3209	52-2055	--	--	--	--
H11-390	15-1637	15-1637	16-3255-23	52-2041-6	--	--	--	--
H11-391	15-1637	15-1637	16-3255-23	52-2041-6	--	--	--	--
H11-394	15-1637	15-1637	16-3255-23	52-2041-6	--	--	--	--
H11-395	15-1618-2	15-1618-2	16-3209	52-2055	--	--	--	--
H2211	15-1572	Adapter	16-3209	--	--	--	--	--
H2256	15-1572	Adapter	16-3209	--	--	--	--	--
J100	15-1576	Adapter	16-3210	--	11-4177-65	--	16-3257-22	--
J103	15-1576	Adapter	16-3210	--	11-4177-65	--	16-3257-22	--
J20145	--	15-1594	16-3215-3	52-2075	--	--	--	--
J20149	--	15-1594	16-3215-3	52-2075	--	--	--	--
J20152	--	15-1594	16-3215-3	52-2075	--	--	--	--
J20153	--	15-1594	16-3215-3	52-2075	--	--	--	--
J300 Series	15-1572	Adapter	16-3209-3	--	--	--	--	--
J4004	15-1572	Adapter	16-3209	--	--	--	--	--
T1002	--	15-1566	16-3204	52-2041	11-4177-65	--	16-3257-12	--
T1003	--	15-1566	16-3204	52-2041	11-4177-65	--	16-3257-12	--
T1202	--	15-1566	16-3204	52-2041	--	--	--	--
T1203	--	15-1566	16-3204	52-2041	--	--	--	--
T2106	15-1580	15-1580	--	52-2043	--	--	--	--
T2114	15-1580	15-1580	--	52-2043	--	--	--	--
T2150	15-1580	15-1580	--	52-2043	--	--	--	--
T2153	15-1580	15-1580	--	52-2043	--	--	--	--
T3103	15-1580	15-1580	--	52-2043	--	--	--	--
T3106	15-1580	15-1580	--	52-2043	--	--	--	--
T3113	15-1580	15-1580	--	52-2043	--	--	--	--
TW1002	--	15-1566	16-3204	52-2041	11-4177-65	--	16-3257-12	--
TW1003	--	15-1566	16-3204	52-2041	11-4177-65	--	16-3257-12	--
TW2106	15-1580	15-1580	--	52-2043	--	--	--	--
TW2150	15-1580	15-1580	--	52-2043	--	--	--	--
TW2161	15-1580	15-1580	--	52-2043	--	--	--	--

<sup>①</sup> Hardware items are sold as replacement parts for Labinal Power Systems switches only.  
\*Locking nut 15-1597 and washer 16-3209-2 furnished with black finished devices.

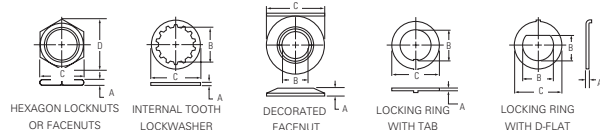
# ACCESSORIES

## Mounting and Terminal Hardware

### SELECTION TABLE MOUNTING HARDWARE FOR ONE HOLE MOUNTING SWITCHES

MOUNTING NUTS							
Size (Inches)	Description	Material	Dimensions (Inches)				Part Number
			Thickness (Dimension "A")	Inside Diameter (Dimension "B")	O.D. or Dim. Across Flats (Dimension "C")	Dim. Across Corners (Dimension "D")	
1/4-40	Hexagon Facenut	Dull nickel plated brass	.063	—	.307	.344	15-454-13
	Hexagon Locknut/Facenet	Cadmium plated brass	.063	—	.309	—	15-1580
	Hexagon Locknut/Facenet	Black plated brass	.063	—	.309	—	15-1580-3
	Hexagon Locknut/Facenet	Cadmium plated steel	.063	—	.309	—	15-1580-4
	Hexagon Locknut/Facenet	Stainless steel-passivated	.094	—	.375	—	15-1591
13/32-32	Hexagon Facenut	Cadmium plated brass	.109	—	.500	—	15-1568
15/32-32	Hexagon Locknut/Facenet	Dull nickel plated steel	.078	—	.563	.656	15-966-6
	Hexagon Facenut	Cadmium plated brass	.078	—	.563	—	15-1566
	Hexagon Locknut/Facenet	Cadmium plated steel	.078	—	.563	—	15-1566-6
	Hexagon Locknut/Facenet	Cadmium plated steel	.093	—	.558	.640	15-1594
	Hexagon Locknut/Facenet	Stainless steel-passivated	.078	—	.563	—	15-1596
	Decorative Facenut	Chrome plated brass	.125	.375	.775	—	15-1623-2
Hexagon Locknut/Facenet	Cadmium plated steel	.125	—	.625	.720	15-1637	
1/2-32	Hexagon Locknut/Facenet	Cadmium plated brass	.140	—	.625	—	15-1577
5/8-18	Hexagon Facenut	Cadmium plated brass	.125	—	.813	—	15-1574
5/8-24	Hexagon Locknut	Tin-zinc plated brass	.094	—	.750	—	15-1572
	Hexagon Locknut/Facenet	Stainless steel-passivated	.125	—	.813	.930	15-1618-2
3/4-32	Hexagon Locknut	Cadmium plated brass	.125	—	1.00	—	15-1573
MOUNTING WASHERS, LOCKING RING AND PANEL SEAL							
1/4 DIA.	Internal Tooth Lockwasher	Stainless steel-passivated	.018	.261	.402	—	16-1751
	Internal Tooth Lockwasher	Cadmium plated steel	.018	.261	.403	—	16-3202
	Internal Tooth Lockwasher	Stainless steel-passivated	.025	.261	.469	—	16-3255-16
	Panel Seal	Silicone Rubber	.035	.295	.372	—	32-239-15
	Locking Ring (tab)	Cadmium plated brass	.031	.252	.344	—	52-2043
	Locking Ring (tab)	Stainless steel-passivated	.031	.260	.476	—	52-2051
	Locking Ring (D-flat)	Stainless steel-passivated	.029	.255	.398	—	52-2046
13/32 DIA.	Internal Tooth Lockwasher	Cadmium plated bronze	.022	.441	.540	—	16-3202
15/32 DIA.	Internal Tooth Lockwasher	Stainless steel-passivated	.018	.476	.600	—	16-886
	Internal Tooth Lockwasher	Stainless steel-passivated	.019	.476	.600	—	16-3255-23
	Internal Tooth Lockwasher	Cadmium plated steel	.018	.472	.594	—	16-3215
	Internal Tooth Lockwasher	Cadmium plated steel	.018	.472	.594	—	16-3215-3
	Internal Tooth Lockwasher	Cadmium plated bronze	.018	.472	.594	—	16-3204
	Locking Ring (tab)	Cadmium plated brass	.040	.475	.719	—	52-2041
	Locking Ring (tab)	Stainless steel-passivated	.040	.475	.719	—	52-2041-6
	Locking Ring (D-flat)	Cadmium plated steel	.048	.470	.719	.446	52-2075
	Locking Ring (tab)	Stainless steel-passivated	.040	.475	.719	—	29-761
	Locking Ring (D-flat)	Stainless steel-passivated	.040	.475	.719	—	52-2050
1/2 DIA.	Internal Tooth Lockwasher	Cadmium plated bronze	.022	.500	.625	—	16-3207
5/8 DIA.	Internal Tooth Lockwasher	Tin-zinc plated bronze	.022	.640	.875	—	16-3209
	Internal Tooth Lockwasher	Nickel plated bronze	.022	.640	.875	—	16-3209-3
	Gasket, washer	Neoprene rubber	.062	.625	.875	—	16-3113
	Locking Ring (tab)	Cadmium plated brass	.031	.631	.938	—	52-2042
	Locking Ring (tab)	Stainless steel-passivated	.040	.652	.875	—	52-2055
3/4 DIA.	Internal Tooth Lockwasher	Stainless steel-passivated	.022	.759	1.063	—	16-3201
7/8 DIA.	Internal Tooth Lockwasher	Cadmium plated bronze	.020	.885	1.095	—	16-3210
TERMINAL HARDWARE - SCREWS, LOCKWASHERS, LUGS AND NUTS							
#6-32 x.250 #6-32 x.187 #6-32 x.187 #2-56 x.130 #6-32 x.190	Terminal Sem screw	Dull nickel plated brass	—	—	—	—	11-2379
	Terminal screw	Dull nickel plated brass	—	—	—	—	11-4082
	Terminal screw	Dull nickel plated brass	—	—	—	—	11-4074
	Terminal screw	Dull nickel plated brass	—	—	—	—	11-4177
	Terminal screw	Dull nickel plated brass	—	—	—	—	11-4177-65
1/4 DIA. 1/4 DIA. 1/4 DIA. 1/4 DIA. 6/32 DIA. 2/56 DIA.	Lockwasher	Nickel plated brass	.064	.265	.500	—	16-421-5
	Lockwasher	Silver plated brass	.040	.275	.562	—	821-1114-6
	Lockwasher	Cadmium plated brass	.062	.259	.489	—	16-3493
	Lockwasher	Cadmium plated bronze	.063	.255	.487	—	16-365-2
	Lockwasher	Cadmium plated bronze	.031	.141	.253	—	16-3257-12
Lockwasher	Cadmium plated bronze	.015	.088	.165	—	16-3257-22	
#2/56 x.130	Terminal Lug	Tin plated brass	—	—	—	—	80-4961
1/4 - 20	Terminal Nut	Silver plated brass	—	—	—	—	815-601-3

① Hardware items are sold as replacement parts for Labinal Power Systems switches only.





# Notes

SECTION H  
Cross Reference

**Index** **H1**

---

**Military Part Number to Labinal Power Systems Catalog Number** **H2 - H7**

---

**Test Requirements per MIL Specs** **H8 - H9**

---

**Glossary of Terms** **H10 - H12**

# REFERENCE DOCUMENTS

## Cross Reference

### MILITARY PART NUMBERS TO LABINAL POWER SYSTEMS CATALOG NUMBERS

Military Part Number	LPS Catalog No.	MIL Specification	Military Part Number	LPS Catalog No.	MIL Specification	Military Part Number	LPS Catalog No.	MIL Specification
AN3221-1	24-1939	MIL-T-6750	M8805/93-009	A3-200-02	MIL-S-8805/93	MS21026-C231	8855K7	MIL-DTL-8834
-2	19-1939-2	MIL-T-6750	-010	-03	MIL-S-8805/93	-D211	K10	MIL-DTL-8834
AN3223-1	8864K2	MIL-B-5423	-011	-04	MIL-S-8805/93	-E221	K14	MIL-DTL-8834
-2	49-2033-2	MIL-B-5423	-012	-05	MIL-S-8805/93	-E231	K8	MIL-DTL-8834
AN3230-1	8780K11	MIL-S-6745	-013	-06	MIL-S-8805/93	-F271	K15	MIL-DTL-8834
-2	8781K11	MIL-S-6745	-014	-07	MIL-S-8805/93	-G311	K16	MIL-DTL-8834
-3	8782K11	MIL-S-6745	-015	A3-202-01	MIL-S-8805/93	-H271	K17	MIL-DTL-8834
E1663-1	8790K4	XEL37	-016	-02	MIL-S-8805/93	-J241	K9	MIL-DTL-8834
-3	8792K3	XEL37	-017	-03	MIL-S-8805/93	-K281	K18	MIL-DTL-8834
M3950/14A21	8546K1	MIL-DTL-3950	-018	-04	MIL-S-8805/93	-K311	K20	MIL-DTL-8834
A22	K9	MIL-DTL-3950	-019	-05	MIL-S-8805/93	-L311	K12	MIL-DTL-8834
A23	K4	MIL-DTL-3950	-020	A3-202-06	MIL-S-8805/93	MS21027-A211	8856K4	MIL-DTL-8834
A24	K6	MIL-DTL-3950	-021	-07	MIL-S-8805/93	-A331	K21	MIL-DTL-8834
A25	K8	MIL-DTL-3950	-022	A3-204-01	MIL-S-8805/93	-A711	K4X	MIL-DTL-8834
A26	K5	MIL-DTL-3950	-023	-02	MIL-S-8805/93	-A831	K21X	MIL-DTL-8834
A27	K2	MIL-DTL-3950	-024	-03	MIL-S-8805/93	-B211	K5	MIL-DTL-8834
A28	K7	MIL-DTL-3950	-025	A3-204-04	MIL-S-8805/93	-B241	K19	MIL-DTL-8834
A29	K10	MIL-DTL-3950	-026	-05	MIL-S-8805/93	-B331	K30	MIL-DTL-8834
A30	K11	MIL-DTL-3950	-027	-06	MIL-S-8805/93	-B711	K5X	MIL-DTL-8834
A31	K3	MIL-DTL-3950	-028	-07	MIL-S-8805/93	-B741	K19X	MIL-DTL-8834
A32	K12	MIL-DTL-3950	M8805/95-001	B7070	MIL-S-8805/95	-B831	K30X	MIL-DTL-8834
A33	K13	MIL-DTL-3950	-002	B7070R	MIL-S-8805/95	-C221	K13	MIL-DTL-8834
B21	8547K1	MIL-DTL-3950	-003	B7070B	MIL-S-8805/95	-C231	K7	MIL-DTL-8834
B22	K9	MIL-DTL-3950	-004	B7070BR	MIL-S-8805/95	-C331	K31	MIL-DTL-8834
B23	K4	MIL-DTL-3950	M8805/96-001	B9001R	MIL-S-8805/96	-C721	K13X	MIL-DTL-8834
B24	K6	MIL-DTL-3950	-002	B9001B	MIL-S-8805/96	-C731	K7X	MIL-DTL-8834
B25	K8	MIL-DTL-3950	-003	B9002R	MIL-S-8805/96	-C831	K31X	MIL-DTL-8834
B26	K5	MIL-DTL-3950	-004	B9002B	MIL-S-8805/96	-D211	K10	MIL-DTL-8834
B27	K2	MIL-DTL-3950	-005	B9001BR	MIL-S-8805/96	-D331	K32	MIL-DTL-8834
B28	K7	MIL-DTL-3950	-006	B9001BB	MIL-S-8805/96	-D711	K10X	MIL-DTL-8834
B29	K10	MIL-DTL-3950	-007	B9002BR	MIL-S-8805/96	-D831	K32X	MIL-DTL-8834
B30	K11	MIL-DTL-3950	-008	B9002BB	MIL-S-8805/96	-E221	K14	MIL-DTL-8834
B31	K3	MIL-DTL-3950	-009	BW9001R	MIL-S-8805/96	-E231	K8	MIL-DTL-8834
B32	K12	MIL-DTL-3950	-010	BW9001B	MIL-S-8805/96	-E721	K14X	MIL-DTL-8834
B33	K13	MIL-DTL-3950	-011	BW9002R	MIL-S-8805/96	-E731	K8X	MIL-DTL-8834
B34	K15	MIL-DTL-3950	-012	BW9002B	MIL-S-8805/96	-F341	K22	MIL-DTL-8834
B35	K16	MIL-DTL-3950	-013	BW9001BR	MIL-S-8805/96	-F371	K27	MIL-DTL-8834
B36	K17	MIL-DTL-3950	-014	BW9001BB	MIL-S-8805/96	-F841	K22X	MIL-DTL-8834
C21	8548K1	MIL-DTL-3950	-015	BW9002BR	MIL-S-8805/96	-F871	K27X	MIL-DTL-8834
C22	8548K9	MIL-DTL-3950	-016	BW9002BB	MIL-S-8805/96	-G311	K16	MIL-DTL-8834
C23	K4	MIL-DTL-3950	M22885/18-01	A20267	MIL-S-22885	-G351	K35	MIL-DTL-8834
M3950/14C24	8548K6	MIL-DTL-3950	-02	J20145	MIL-S-22885	-G811	K16X	MIL-DTL-8834
C25	K8	MIL-DTL-3950	-03	A20271	MIL-S-22885	-G851	K35X	MIL-DTL-8834
C26	K5	MIL-DTL-3950	-04	J20149	MIL-S-22885	-H341	8856K34	MIL-DTL-8834
C27	K2	MIL-DTL-3950	-05	A20272	MIL-S-22885	-H371	K29	MIL-DTL-8834
C28	K7	MIL-DTL-3950	-06	J20152	MIL-S-22885	-H841	K34X	MIL-DTL-8834
C29	K10	MIL-DTL-3950	-07	A20273	MIL-S-22885	-H871	K29X	MIL-DTL-8834
C30	K11	MIL-DTL-3950	-08	J20153	MIL-S-22885	-J241	K9	MIL-DTL-8834
C31	K3	MIL-DTL-3950	MS14001-212	8836K91	MIL-DTL-8834	-J741	K9X	MIL-DTL-8834
C32	K12	MIL-DTL-3950	-222	K99	MIL-DTL-8834	-K311	K20	MIL-DTL-8834
C33	K13	MIL-DTL-3950	-232	K94	MIL-DTL-8834	-K321	K24	MIL-DTL-8834
C34	K15	MIL-DTL-3950	-242	K96	MIL-DTL-8834	-K351	K23	MIL-DTL-8834
C35	K16	MIL-DTL-3950	-262	K95	MIL-DTL-8834	-K381	K28	MIL-DTL-8834
C36	8548K17	MIL-DTL-3950	-272	K92	MIL-DTL-8834	-K811	K20X	MIL-DTL-8834
M5423/16-01	32-341	MIL-B-5423	-282	K97	MIL-DTL-8834	-K821	K24X	MIL-DTL-8834
M8805/2	(see MS25085)		-292	K910	MIL-DTL-8834	-K851	K23X	MIL-DTL-8834
/4	(see MS24547)		-302	K911	MIL-DTL-8834	-K881	K28X	MIL-DTL-8834
/5	(see MS25350)		-312	K93	MIL-DTL-8834	-L311	K12	MIL-DTL-8834
/11	(see MS25342)		MS14002-212	8837K91	MIL-DTL-8834	-L351	K36	MIL-DTL-8834
/11	(see MS25343)		-222	K99	MIL-DTL-8834	-L811	K12X	MIL-DTL-8834
/14	(see MS25345)		-232	K94	MIL-DTL-8834	-L851	K36X	MIL-DTL-8834
/14	(see MS25346)		-242	K96	MIL-DTL-8834	MS21321-1	H11-335	MIL-S-8805/39
/14	(see MS25347)		-262	K95	MIL-DTL-8834	-2	H11-395	MIL-S-8805/39
/15	(see MS25348)		-272	K92	MIL-DTL-8834	MS21346-211	8868K51	MIL-DTL-8834
/15	(see MS25349)		-282	K97	MIL-DTL-8834	-221	K57	MIL-DTL-8834
/16	(see MS25351)		-292	K910	MIL-DTL-8834	-231	K54	MIL-DTL-8834
/17	(see MS25353)		-302	K911	MIL-DTL-8834	-241	K55	MIL-DTL-8834
/18	(see MS25356)		-312	K93	MIL-DTL-8834	-271	K52	MIL-DTL-8834
/19	(see MS25357)		MS14003-212	8838K91	MIL-DTL-8834	-281	K56	MIL-DTL-8834
/20	(see MS16712)		-222	K99	MIL-DTL-8834	-311	K53	MIL-DTL-8834
/38	(see MS27903)		-232	K94	MIL-DTL-8834	-321	K58	MIL-DTL-8834
/39	(see MS21321)		-242	K96	MIL-DTL-8834	-A211	8855K54	MIL-DTL-8834
/40	(see MS24331)		-262	K95	MIL-DTL-8834	-B211	K55	MIL-DTL-8834
/43	(see MS27248)		-272	K92	MIL-DTL-8834	-B241	K519	MIL-DTL-8834
/53	(see MS27996)		-282	K97	MIL-DTL-8834	-C221	K513	MIL-DTL-8834
M8805/55-001	8870K2	MIL-S-8805/55	-292	K910	MIL-DTL-8834	-C231	K57	MIL-DTL-8834
-002	K3	MIL-S-8805/55	-302	K911	MIL-DTL-8834	-D211	K510	MIL-DTL-8834
-003	K4	MIL-S-8805/55	-312	K93	MIL-DTL-8834	-E221	K514	MIL-DTL-8834
-004	K5	MIL-S-8805/55	MS16712-1	C20050	MIL-S-8805/20	-E231	K58	MIL-DTL-8834
M8805/93-001	A3-212-01	MIL-S-8805/93	MS16712-2	C20050R	MIL-S-8805/20	-F271	K515	MIL-DTL-8834
-002	-02	MIL-S-8805/93	MS18150-1	TVW20001	MIL-S-83731	-G311	K516	MIL-DTL-8834
-003	-03	MIL-S-8805/93	MS18151-1	TVW20002	MIL-S-83731	-H271	K517	MIL-DTL-8834
-004	-04	MIL-S-8805/93	MS18152-1	TVW20000	MIL-S-83731	-J241	K59	MIL-DTL-8834
-005	-05	MIL-S-8805/93	MS21026-A211	8855K4	MIL-DTL-8834	-K281	K518	MIL-DTL-8834
-006	-06	MIL-S-8805/93	-B211	K5	MIL-DTL-8834	-K311	K520	MIL-DTL-8834
-007	-07	MIL-S-8805/93	-B241	K19	MIL-DTL-8834	-L311	K512	MIL-DTL-8834
-008	A3-200-01	MIL-S-8805/93	-C221	K13	MIL-DTL-8834			

# REFERENCE DOCUMENTS

## Cross Reference

### MILITARY PART NUMBERS TO LABINAL POWER SYSTEMS CATALOG NUMBERS

Military Part Number	LPS Catalog No.	MIL Specification	Military Part Number	LPS Catalog No.	MIL Specification	Military Part Number	LPS Catalog No.	MIL Specification
MS21347-211	8869K51	MIL-DTL-8834	MS21357-221	8869K67	MIL-DTL-8834	MS21437-H341	8856K734	MIL-DTL-8834
-821	K58X	MIL-DTL-8834	-231	K64	MIL-DTL-8834	-H371	K729	MIL-DTL-8834
-831	K59X	MIL-DTL-8834	-241	K65	MIL-DTL-8834	-H841	K734X	MIL-DTL-8834
-841	K511X	MIL-DTL-8834	-271	K62	MIL-DTL-8834	-H871	K729X	MIL-DTL-8834
-851	K510X	MIL-DTL-8834	-281	K66	MIL-DTL-8834	-J241	K79	MIL-DTL-8834
-A211	8856K54	MIL-DTL-8834	-311	K63	MIL-DTL-8834	-J741	K79X	MIL-DTL-8834
-A331	K521	MIL-DTL-8834	-321	K68	MIL-DTL-8834	-K311	K720	MIL-DTL-8834
-B211	K55	MIL-DTL-8834	-331	K69	MIL-DTL-8834	-K321	K724	MIL-DTL-8834
-B241	K519	MIL-DTL-8834	-341	K611	MIL-DTL-8834	-K351	K723	MIL-DTL-8834
-B331	K530	MIL-DTL-8834	-351	K610	MIL-DTL-8834	-K381	K728	MIL-DTL-8834
-C221	K513	MIL-DTL-8834	MS21357-711	8869K61X	MIL-DTL-8834	-K811	K720X	MIL-DTL-8834
-C231	K57	MIL-DTL-8834	-721	K67X	MIL-DTL-8834	-K821	K724X	MIL-DTL-8834
-C331	K531	MIL-DTL-8834	-731	K64X	MIL-DTL-8834	-K851	K723X	MIL-DTL-8834
-D211	K510	MIL-DTL-8834	-741	K65X	MIL-DTL-8834	-K881	K728X	MIL-DTL-8834
-D331	K532	MIL-DTL-8834	-771	K62X	MIL-DTL-8834	-L311	K712	MIL-DTL-8834
-E221	K514	MIL-DTL-8834	-781	K66X	MIL-DTL-8834	-L351	K736	MIL-DTL-8834
-E231	K58	MIL-DTL-8834	-811	K63X	MIL-DTL-8834	-L811	K712X	MIL-DTL-8834
-F271	K515	MIL-DTL-8834	-821	K68X	MIL-DTL-8834	-L851	K736X	MIL-DTL-8834
-F341	K522	MIL-DTL-8834	-831	K69X	MIL-DTL-8834	MS24331-1	H11-375	MIL-S-8805/40
-F371	K527	MIL-DTL-8834	-841	K611X	MIL-DTL-8834	MS24417-1	8492K1	MIL-G-7703
-G311	K516	MIL-DTL-8834	-851	K610X	MIL-DTL-8834	MS24523-21	8500K1	MIL-DTL-3950
-G351	K535	MIL-DTL-8834	MS21433-211	8866KA61	MIL-DTL-8834	-22	K9	MIL-DTL-3950
-H271	K517	MIL-DTL-8834	-221	KA67	MIL-DTL-8834	-23	K4	MIL-DTL-3950
-H341	K534	MIL-DTL-8834	-231	KA64	MIL-DTL-8834	-24	K6	MIL-DTL-3950
-H371	K529	MIL-DTL-8834	-241	KA65	MIL-DTL-8834	-26	K5	MIL-DTL-3950
-J241	K59	MIL-DTL-8834	-271	KA62	MIL-DTL-8834	-27	K2	MIL-DTL-3950
-K281	K518	MIL-DTL-8834	-281	KA66	MIL-DTL-8834	-28	K7	MIL-DTL-3950
-K311	K520	MIL-DTL-8834	-311	KA63	MIL-DTL-8834	-29	K10	MIL-DTL-3950
-K321	K524	MIL-DTL-8834	-321	KA68	MIL-DTL-8834	-30	K11	MIL-DTL-3950
-K351	K523	MIL-DTL-8834	MS21434-211	8867KA61	MIL-DTL-8834	-31	K3	MIL-DTL-3950
-K381	K528	MIL-DTL-8834	-221	KA67	MIL-DTL-8834	-32	K12	MIL-DTL-3950
-L311	K512	MIL-DTL-8834	-231	KA64	MIL-DTL-8834	-33	K13	MIL-DTL-3950
-L351	K536	MIL-DTL-8834	-241	KA65	MIL-DTL-8834	MS24524-21	8501K1	MIL-DTL-3950
-221	8869K57	MIL-DTL-8834	-271	KA62	MIL-DTL-8834	-22	K9	MIL-DTL-3950
-231	K54	MIL-DTL-8834	-281	KA66	MIL-DTL-8834	-23	K4	MIL-DTL-3950
-241	K55	MIL-DTL-8834	-311	KA63	MIL-DTL-8834	-24	K6	MIL-DTL-3950
-271	K52	MIL-DTL-8834	-321	KA68	MIL-DTL-8834	-26	K5	MIL-DTL-3950
-281	K56	MIL-DTL-8834	-331	KA69	MIL-DTL-8834	-27	K2	MIL-DTL-3950
-311	K53	MIL-DTL-8834	-341	KA611	MIL-DTL-8834	-28	K7	MIL-DTL-3950
-321	K58	MIL-DTL-8834	-351	KA610	MIL-DTL-8834	-29	K10	MIL-DTL-3950
-331	K59	MIL-DTL-8834	MS21436-A211	8855K74	MIL-DTL-8834	-30	K11	MIL-DTL-3950
-341	K511	MIL-DTL-8834	-B211	K75	MIL-DTL-8834	-31	K3	MIL-DTL-3950
-351	K510	MIL-DTL-8834	-B241	K719	MIL-DTL-8834	-32	K12	MIL-DTL-3950
-711	K51X	MIL-DTL-8834	-C221	K713	MIL-DTL-8834	-33	K13	MIL-DTL-3950
-721	K57X	MIL-DTL-8834	-C231	K77	MIL-DTL-8834	MS24525-21	8502K1	MIL-DTL-3950
-731	K54X	MIL-DTL-8834	-D211	K710	MIL-DTL-8834	-22	K9	MIL-DTL-3950
-741	K55X	MIL-DTL-8834	-E221	K714	MIL-DTL-8834	-23	K4	MIL-DTL-3950
-771	K52X	MIL-DTL-8834	-E231	K78	MIL-DTL-8834	-24	K6	MIL-DTL-3950
-781	K56X	MIL-DTL-8834	-F271	K715	MIL-DTL-8834	-26	K5	MIL-DTL-3950
-811	K53X	MIL-DTL-8834	-G11	K716	MIL-DTL-8834	-27	K2	MIL-DTL-3950
MS21351-321	8868K8	MIL-DTL-8834	-H271	K717	MIL-DTL-8834	-28	K7	MIL-DTL-3950
MS21353-321	8869K8	MIL-DTL-8834	-J241	K79	MIL-DTL-8834	-29	K10	MIL-DTL-3950
-331	K9	MIL-DTL-8834	-K281	K718	MIL-DTL-8834	-30	K11	MIL-DTL-3950
-341	K11	MIL-DTL-8834	-K311	K720	MIL-DTL-8834	-31	K3	MIL-DTL-3950
-351	K10	MIL-DTL-8834	-L311	K712	MIL-DTL-8834	-32	K12	MIL-DTL-3950
-821	K8X	MIL-DTL-8834	MS21437-A211	8856K74	MIL-DTL-8834	-33	K13	MIL-DTL-3950
-831	K9X	MIL-DTL-8834	-A331	K721	MIL-DTL-8834	MS24547-1	SS30AT40	MIL-S-8805/4
-841	K11X	MIL-DTL-8834	-A711	8856K74X	MIL-DTL-8834	-2	KT40	MIL-S-8805/4
-851	K10X	MIL-DTL-8834	-A831	K21X	MIL-DTL-8834	-3	DT40	MIL-S-8805/4
MS21354-211	8866K61	MIL-DTL-8834	-B211	K75	MIL-DTL-8834	-4	AT41	MIL-S-8805/4
-221	K67	MIL-DTL-8834	-B241	K719	MIL-DTL-8834	-5	KT41	MIL-S-8805/4
-231	K64	MIL-DTL-8834	-B331	K730	MIL-DTL-8834	MS24612-A212	8843K1	MIL-DTL-8834
-241	K65	MIL-DTL-8834	-B711	K75X	MIL-DTL-8834	-B212	K2	MIL-DTL-8834
-271	K62	MIL-DTL-8834	-B741	K719X	MIL-DTL-8834	-B242	K16	MIL-DTL-8834
-281	K66	MIL-DTL-8834	-B831	K730X	MIL-DTL-8834	-C212	K3	MIL-DTL-8834
-311	K63	MIL-DTL-8834	-C221	K713	MIL-DTL-8834	-C222	K9	MIL-DTL-8834
-321	K68	MIL-DTL-8834	-C231	K77	MIL-DTL-8834	-C232	K7	MIL-DTL-8834
MS21355-211	8867K61	MIL-DTL-8834	-C331	K731	MIL-DTL-8834	-D212	K4	MIL-DTL-8834
-221	K67	MIL-DTL-8834	-C721	K713X	MIL-DTL-8834	-E212	K5	MIL-DTL-8834
-231	K64	MIL-DTL-8834	-C731	K77X	MIL-DTL-8834	-E222	K10	MIL-DTL-8834
-241	K65	MIL-DTL-8834	-C831	K731X	MIL-DTL-8834	-E232	K6	MIL-DTL-8834
-271	K62	MIL-DTL-8834	-D211	K710	MIL-DTL-8834	-F272	K12	MIL-DTL-8834
-281	K66	MIL-DTL-8834	-D331	K732	MIL-DTL-8834	-G312	K13	MIL-DTL-8834
-311	K63	MIL-DTL-8834	-D711	K710X	MIL-DTL-8834	-H272	K14	MIL-DTL-8834
-321	K68	MIL-DTL-8834	-D831	K732X	MIL-DTL-8834	-J242	K11	MIL-DTL-8834
-331	K69	MIL-DTL-8834	-E221	K714	MIL-DTL-8834	-K282	K15	MIL-DTL-8834
-341	K611	MIL-DTL-8834	-E231	K78	MIL-DTL-8834	-K312	K18	MIL-DTL-8834
-351	K610	MIL-DTL-8834	-E721	K714X	MIL-DTL-8834	-L262	K20	MIL-DTL-8834
MS21356-211	8868K61	MIL-DTL-8834	-E731	K78X	MIL-DTL-8834	-L292	K21	MIL-DTL-8834
-221	K67	MIL-DTL-8834	-F341	K722	MIL-DTL-8834	-L302	K19	MIL-DTL-8834
-231	K64	MIL-DTL-8834	-F371	K727	MIL-DTL-8834	-M312	K8	MIL-DTL-8834
-241	K65	MIL-DTL-8834	-F841	K722X	MIL-DTL-8834	-N312	K17	MIL-DTL-8834
-271	K62	MIL-DTL-8834	-F871	K727X	MIL-DTL-8834	MS24613-A212	8844K1	MIL-DTL-8834
-281	K66	MIL-DTL-8834	-G311	K716	MIL-DTL-8834	-B212	K2	MIL-DTL-8834
-311	K63	MIL-DTL-8834	-G351	K735	MIL-DTL-8834			
-321	K68	MIL-DTL-8834	-G811	K716X	MIL-DTL-8834			
MS21357-211	8869K61	MIL-DTL-8834	-G851	K735X	MIL-DTL-8834			

# REFERENCE DOCUMENTS

## Cross Reference

### MILITARY PART NUMBERS TO LABINAL POWER SYSTEMS CATALOG NUMBERS

Military Part Number	LPS Catalog No.	MIL Specification	Military Part Number	LPS Catalog No.	MIL Specification	Military Part Number	LPS Catalog No.	MIL Specification
MS24613-B242	8844K16	MIL-DTL-8834	MS24658-21L	8503K32	MIL-DTL-3950	MS24660-21P	8505K34	MIL-DTL-3950
-C212	K3	MIL-DTL-8834	-21M	K33	MIL-DTL-3950	-22D	K10	MIL-DTL-3950
-C222	K9	MIL-DTL-8834	-21N	K4	MIL-DTL-3950	-22F	K35	MIL-DTL-3950
-C232	K7	MIL-DTL-8834	-21P	K34	MIL-DTL-3950	-22G	K9	MIL-DTL-3950
-D212	K4	MIL-DTL-8834	-22D	K10	MIL-DTL-3950	-23D	K6	MIL-DTL-3950
-E212	K5	MIL-DTL-8834	-22F	K35	MIL-DTL-3950	-23F	K36	MIL-DTL-3950
-E222	K10	MIL-DTL-8834	-22G	K9	MIL-DTL-3950	-23G	K7	MIL-DTL-3950
-E232	K6	MIL-DTL-8834	-23D	K6	MIL-DTL-3950	-24E	K16	MIL-DTL-3950
-F272	K12	MIL-DTL-8834	-23F	K36	MIL-DTL-3950	-24F	K37	MIL-DTL-3950
-G312	K13	MIL-DTL-8834	-23G	K7	MIL-DTL-3950	-24K	K38	MIL-DTL-3950
-H272	K14	MIL-DTL-8834	-24E	K16	MIL-DTL-3950	-24M	K11	MIL-DTL-3950
-J242	K11	MIL-DTL-8834	-24F	K37	MIL-DTL-3950	-26F	K20	MIL-DTL-3950
-K282	K15	MIL-DTL-8834	-24K	K38	MIL-DTL-3950	-27E	K12	MIL-DTL-3950
-K312	K18	MIL-DTL-8834	-24M	K11	MIL-DTL-3950	-27L	K39	MIL-DTL-3950
-L262	K20	MIL-DTL-8834	-26F	K20	MIL-DTL-3950	-27N	K14	MIL-DTL-3950
-L292	K21	MIL-DTL-8834	-27E	K12	MIL-DTL-3950	-28E	K15	MIL-DTL-3950
-L302	K19	MIL-DTL-8834	-27L	K39	MIL-DTL-3950	-29F	K21	MIL-DTL-3950
-M312	K8	MIL-DTL-8834	-27N	K14	MIL-DTL-3950	-30F	K19	MIL-DTL-3950
-N312	K17	MIL-DTL-8834	-28E	K15	MIL-DTL-3950	-31E	K18	MIL-DTL-3950
MS24614-A212	8845K1	MIL-DTL-8834	-29F	K21	MIL-DTL-3950	-31F	K40	MIL-DTL-3950
-B212	K2	MIL-DTL-8834	-30F	K19	MIL-DTL-3950	-31K	K41	MIL-DTL-3950
-B242	K16	MIL-DTL-8834	-31E	K18	MIL-DTL-3950	-31L	K13	MIL-DTL-3950
-C212	K3	MIL-DTL-8834	-31F	K40	MIL-DTL-3950	-31M	K17	MIL-DTL-3950
-C222	K9	MIL-DTL-8834	-31K	K41	MIL-DTL-3950	-31N	K8	MIL-DTL-3950
-C232	K7	MIL-DTL-8834	-31L	K13	MIL-DTL-3950	-32E	K23	MIL-DTL-3950
-D212	K4	MIL-DTL-8834	-31M	K17	MIL-DTL-3950	-33E	K24	MIL-DTL-3950
-E212	K5	MIL-DTL-8834	-31N	K8	MIL-DTL-3950	-33F	K25	MIL-DTL-3950
-E222	K10	MIL-DTL-8834	-32E	K23	MIL-DTL-3950	-33K	K26	MIL-DTL-3950
-E232	K6	MIL-DTL-8834	-33E	K24	MIL-DTL-3950	-33M	K42	MIL-DTL-3950
-F272	K12	MIL-DTL-8834	-33F	K25	MIL-DTL-3950	MS25081-4	29-761	MIL-DTL-3950
-G312	K13	MIL-DTL-8834	-33K	K26	MIL-DTL-3950	MS25082-8	15-404-6	MIL-S-83731
-H272	K14	MIL-DTL-8834	-33M	K42	MIL-DTL-3950	MS25085-1	E4-270	MIL-S-8805/2
-J242	K11	MIL-DTL-8834	MS24659-21A	8504K1	MIL-DTL-3950	MS25085-2	E4-271	MIL-S-8805/2
-K282	K15	MIL-DTL-8834	-21B	K27	MIL-DTL-3950	MS25214-1	8494K1	MIL-S-7703
-K312	K18	MIL-DTL-8834	-21D	K5	MIL-DTL-3950	-2	K2	MIL-G-7703
-L262	K20	MIL-DTL-8834	-21E	K2	MIL-DTL-3950	-3	K3	MIL-G-7703
-L292	K21	MIL-DTL-8834	-21F	K28	MIL-DTL-3950	MS25221-1	8495K1	MIL-G-7703
-L302	K19	MIL-DTL-8834	-21G	K3	MIL-DTL-3950	MS25223-1	8496K1	MIL-G-7703
-M312	K8	MIL-DTL-8834	-21H	K29	MIL-DTL-3950	-2	K2	MIL-G-7703
-N312	K17	MIL-DTL-8834	-21J	K30	MIL-DTL-3950	MS25224-1	8497K1	MIL-G-7703
MS24655-211	8866K1	MIL-DTL-8834	-21K	K31	MIL-DTL-3950	-2	K2	MIL-G-7703
-221	K7	MIL-DTL-8834	-21L	K32	MIL-DTL-3950	-3	K3	MIL-G-7703
-231	K4	MIL-DTL-8834	-21M	K33	MIL-DTL-3950	MS25225-1	8498K1	MIL-G-7703
-241	K5	MIL-DTL-8834	-21N	K4	MIL-DTL-3950	-2	K2	MIL-G-7703
-271	K2	MIL-DTL-8834	-21P	K34	MIL-DTL-3950	-3	K3	MIL-G-7703
-281	K6	MIL-DTL-8834	-22D	K10	MIL-DTL-3950	MS25246-1	24-1164-2	MIL-B-5423
-311	K3	MIL-DTL-8834	-22F	K35	MIL-DTL-3950	MS25301-1	49-1740-2	MIL-DTL-8834
-321	K8	MIL-DTL-8834	-22G	K9	MIL-DTL-3950	MS25306-212	8836K1	MIL-DTL-8834
-211W	K51	MIL-DTL-8834	-23D	K6	MIL-DTL-3950	-222	K9	MIL-DTL-8834
-221W	K57	MIL-DTL-8834	-23F	K36	MIL-DTL-3950	-232	K4	MIL-DTL-8834
-231W	K54	MIL-DTL-8834	-23G	K7	MIL-DTL-3950	-242	K6	MIL-DTL-8834
-241W	K55	MIL-DTL-8834	-24E	K16	MIL-DTL-3950	-262	K5	MIL-DTL-8834
-271W	K52	MIL-DTL-8834	-24F	K37	MIL-DTL-3950	-272	K2	MIL-DTL-8834
-281W	K56	MIL-DTL-8834	-24K	K38	MIL-DTL-3950	-282	K7	MIL-DTL-8834
-311W	K53	MIL-DTL-8834	-24M	K11	MIL-DTL-3950	-292	K10	MIL-DTL-8834
-321W	K58	MIL-DTL-8834	-26F	K20	MIL-DTL-3950	-302	K11	MIL-DTL-8834
MS24656-211	8867K1	MIL-DTL-8834	-27E	K12	MIL-DTL-3950	-312	K3	MIL-DTL-8834
-221	K7	MIL-DTL-8834	-27L	K39	MIL-DTL-3950	MS25307-212	8837K1	MIL-DTL-8834
-231	K4	MIL-DTL-8834	-27N	K14	MIL-DTL-3950	-222	K9	MIL-DTL-8834
-241	K5	MIL-DTL-8834	-28E	K15	MIL-DTL-3950	-232	K4	MIL-DTL-8834
-271	K2	MIL-DTL-8834	-29F	K21	MIL-DTL-3950	-242	K6	MIL-DTL-8834
-281	K6	MIL-DTL-8834	-30F	K19	MIL-DTL-3950	-262	K5	MIL-DTL-8834
-311	K3	MIL-DTL-8834	-31E	K18	MIL-DTL-3950	-272	K2	MIL-DTL-8834
-321	K8	MIL-DTL-8834	-31F	K40	MIL-DTL-3950	-282	K7	MIL-DTL-8834
-331	K9	MIL-DTL-8834	-31K	K41	MIL-DTL-3950	-292	K10	MIL-DTL-8834
-341	K11	MIL-DTL-8834	-31L	K13	MIL-DTL-3950	-302	K11	MIL-DTL-8834
-351	K10	MIL-DTL-8834	-31M	K17	MIL-DTL-3950	-312	K3	MIL-DTL-8834
-211W	K51	MIL-DTL-8834	-31N	K8	MIL-DTL-3950	MS25308-212	8838K1	MIL-DTL-8834
-221W	K57	MIL-DTL-8834	-32E	K23	MIL-DTL-3950	-222	K9	MIL-DTL-8834
-231W	K54	MIL-DTL-8834	-33E	K24	MIL-DTL-3950	-232	K4	MIL-DTL-8834
-241W	K55	MIL-DTL-8834	-33F	K25	MIL-DTL-3950	-242	K6	MIL-DTL-8834
-271W	K52	MIL-DTL-8834	-33K	K26	MIL-DTL-3950	-262	K5	MIL-DTL-8834
-281W	K56	MIL-DTL-8834	-33M	K42	MIL-DTL-3950	-272	K2	MIL-DTL-8834
-311W	K53	MIL-DTL-8834	MS24660-21A	8505K1	MIL-DTL-3950	-282	K7	MIL-DTL-8834
-321W	K58	MIL-DTL-8834	-21B	K27	MIL-DTL-3950	-292	K10	MIL-DTL-8834
-331W	K59	MIL-DTL-8834	-21D	K5	MIL-DTL-3950	-302	K11	MIL-DTL-8834
-341W	K511	MIL-DTL-8834	-21E	K2	MIL-DTL-3950	-312	K3	MIL-DTL-8834
-351W	K510	MIL-DTL-8834	-21F	K28	MIL-DTL-3950	MS25342-1	S1-44	MIL-S-8805/11
MS24658-21A	8503K1	MIL-DTL-3950	-21G	K3	MIL-DTL-3950	MS25343-1	S3-44	MIL-S-8805/11
-21B	K27	MIL-DTL-3950	-21H	K29	MIL-DTL-3950	MS25344-1	S2-44	MIL-S-8805/11
-21D	K5	MIL-DTL-3950	-21J	K30	MIL-DTL-3950	MS25345-1	S1-344	MIL-S-8805/14
-21E	K2	MIL-DTL-3950	-21K	K31	MIL-DTL-3950	MS25346-1	S3-344	MIL-S-8805/14
-21F	K28	MIL-DTL-3950	-21L	K32	MIL-DTL-3950	MS25347-1	S2-344	MIL-S-8805/14
-21G	K3	MIL-DTL-3950	-21M	K33	MIL-DTL-3950	MS25348-1	D4-44	MIL-S-8805/15
-21H	K29	MIL-DTL-3950	-21N	K4	MIL-DTL-3950	MS25349-1	D8-44	MIL-S-8805/15
-21J	K30	MIL-DTL-3950				MS25350-1	D4-344	MIL-S-8805/5
21K	K31	MIL-DTL-3950						



# REFERENCE DOCUMENTS

## Cross Reference

### MILITARY PART NUMBERS TO LABINAL POWER SYSTEMS CATALOG NUMBERS

Military Part Number	LPS Catalog No.	MIL Specification	Military Part Number	LPS Catalog No.	MIL Specification	Military Part Number	LPS Catalog No.	MIL Specification
MS25351-1	D8-344	MIL-S-8805/16	MS27722-21	8570K1-16	MIL-DTL-3950	MS27781-33M	8573K42-16	MIL-DTL-3950
MS25353-1	K3-344	MIL-S-8805/17	-22	K9-16	MIL-DTL-3950	MS27782-1A	8575K65-16	MIL-DTL-3950
MS25356-1	K3-44	MIL-S-8805/18	-23	K4-16	MIL-DTL-3950	-1B	K66-16	MIL-DTL-3950
MS25357-1	G3-44	MIL-S-8805/19	-24	K6-16	MIL-DTL-3950	-1D	K67-16	MIL-DTL-3950
MS25452-1	8499K1	MIL-G-7703	-26	K5-16	MIL-DTL-3950	-1E	K68-16	MIL-DTL-3950
MS27240-1	H11-330	MIL-S-8805/43	-27	K2-16	MIL-DTL-3950	-1F	K69-16	MIL-DTL-3950
-2	-390	MIL-S-8805	-28	K7-16	MIL-DTL-3950	-1G	K70-16	MIL-DTL-3950
-3	-331	MIL-S-8805/43	-29	K10-16	MIL-DTL-3950	-1H	K71-16	MIL-DTL-3950
-4	-391	MIL-S-8805	-30	K11-16	MIL-DTL-3950	-1J	K72-16	MIL-DTL-3950
MS27259-1	H11-334	MIL-S-8805	-31	K3-16	MIL-DTL-3950	-1K	K73-16	MIL-DTL-3950
-2	-394	MIL-S-8805	-32	K12-16	MIL-DTL-3950	-1L	K74-16	MIL-DTL-3950
MS27406-1	8502K15	MIL-DTL-3950	-33	K13-16	MIL-DTL-3950	-1M	K75-16	MIL-DTL-3950
-2	K16	MIL-DTL-3950	MS27723-1	8571K17-16	MIL-DTL-3950	-1N	K76-16	MIL-DTL-3950
-3	K17	MIL-DTL-3950	-2	K18-16	MIL-DTL-3950	-1P	K77-16	MIL-DTL-3950
MS27407-1	8501K14	MIL-DTL-3950	-3	K19-16	MIL-DTL-3950	-2E	K78-16	MIL-DTL-3950
-2	K15	MIL-DTL-3950	-21	K1-16	MIL-DTL-3950	-2F	K79-16	MIL-DTL-3950
-3	K16	MIL-DTL-3950	-22	K9-16	MIL-DTL-3950	-2K	K80-16	MIL-DTL-3950
-4	K17	MIL-DTL-3950	-23	K4-16	MIL-DTL-3950	-2L	K81-16	MIL-DTL-3950
-5	K18	MIL-DTL-3950	-24	K6-16	MIL-DTL-3950	-2M	K82-16	MIL-DTL-3950
-6	K19	MIL-DTL-3950	-26	K5-16	MIL-DTL-3950	-2N	K83-16	MIL-DTL-3950
MS27408-1A	8504K43	MIL-DTL-3950	-27	K2-16	MIL-DTL-3950	MS27782-3E	8574K84-16	MIL-DTL-3950
-1B	K44	MIL-DTL-3950	-28	K7-16	MIL-DTL-3950	-3L	K85-16	MIL-DTL-3950
-1D	K45	MIL-DTL-3950	-29	K10-16	MIL-DTL-3950	-3N	K86-16	MIL-DTL-3950
-1E	K46	MIL-DTL-3950	-30	K11-16	MIL-DTL-3950	-21A	K1-16	MIL-DTL-3950
-1F	K47	MIL-DTL-3950	-31	K3-16	MIL-DTL-3950	-21B	K27-16	MIL-DTL-3950
-1G	K48	MIL-DTL-3950	-32	K12-16	MIL-DTL-3950	-21D	K5-16	MIL-DTL-3950
-1H	K49	MIL-DTL-3950	-33	K13-16	MIL-DTL-3950	-21E	K2-16	MIL-DTL-3950
-1J	K50	MIL-DTL-3950	MS27724-1	8572K15-16	MIL-DTL-3950	-21F	K28-16	MIL-DTL-3950
-1K	K51	MIL-DTL-3950	-2	K16-16	MIL-DTL-3950	-21G	K3-16	MIL-DTL-3950
-1L	K52	MIL-DTL-3950	-3	K17-16	MIL-DTL-3950	-21H	K29-16	MIL-DTL-3950
-1M	K53	MIL-DTL-3950	-21	K1-16	MIL-DTL-3950	-21J	K30-16	MIL-DTL-3950
-1N	K54	MIL-DTL-3950	-22	K9-16	MIL-DTL-3950	-21K	K31-16	MIL-DTL-3950
-1P	K55	MIL-DTL-3950	-23	K4-16	MIL-DTL-3950	-21L	K32-16	MIL-DTL-3950
-2E	K56	MIL-DTL-3950	-24	K6-16	MIL-DTL-3950	-21M	K33-16	MIL-DTL-3950
-2F	K57	MIL-DTL-3950	-26	K5-16	MIL-DTL-3950	-21N	K4-16	MIL-DTL-3950
-2K	K58	MIL-DTL-3950	-27	K2-16	MIL-DTL-3950	-21P	K34-16	MIL-DTL-3950
-2L	K59	MIL-DTL-3950	-28	K7-16	MIL-DTL-3950	-22D	K10-16	MIL-DTL-3950
-2M	K60	MIL-DTL-3950	-29	K10-16	MIL-DTL-3950	-22F	K35-16	MIL-DTL-3950
-2N	K61	MIL-DTL-3950	-30	K11-16	MIL-DTL-3950	-22G	K9-16	MIL-DTL-3950
-3E	K62	MIL-DTL-3950	-31	K3-16	MIL-DTL-3950	-23D	K6-16	MIL-DTL-3950
-3L	K63	MIL-DTL-3950	-32	K12-16	MIL-DTL-3950	-23F	K36-16	MIL-DTL-3950
-3N	K64	MIL-DTL-3950	-33	K13-16	MIL-DTL-3950	-23G	K7-16	MIL-DTL-3950
-4A	8504K65	MIL-DTL-3950	MS27752-1	8498K6	MIL-G-7703	-24E	K16-16	MIL-DTL-3950
-4B	K66	MIL-DTL-3950	MS27781-21A	8573K1-16	MIL-DTL-3950	-24F	K37-16	MIL-DTL-3950
-4D	K67	MIL-DTL-3950	-21B	K27-16	MIL-DTL-3950	-24K	K38-16	MIL-DTL-3950
-4E	K68	MIL-DTL-3950	-21D	K5-16	MIL-DTL-3950	-24M	K11-16	MIL-DTL-3950
-4F	K69	MIL-DTL-3950	-21E	K2-16	MIL-DTL-3950	-26F	K20-16	MIL-DTL-3950
-4G	K70	MIL-DTL-3950	-21F	K28-16	MIL-DTL-3950	-27E	K12-16	MIL-DTL-3950
-4H	K71	MIL-DTL-3950	-21G	K3-16	MIL-DTL-3950	-27L	K39-16	MIL-DTL-3950
-4J	K72	MIL-DTL-3950	-21H	K29-16	MIL-DTL-3950	-27N	K14-16	MIL-DTL-3950
-4K	K73	MIL-DTL-3950	-21J	K30-16	MIL-DTL-3950	-28E	K15-16	MIL-DTL-3950
-4L	K74	MIL-DTL-3950	-21K	K31-16	MIL-DTL-3950	-29F	K21-16	MIL-DTL-3950
-4M	K75	MIL-DTL-3950	-21L	K32-16	MIL-DTL-3950	-30F	K19-16	MIL-DTL-3950
-4N	K76	MIL-DTL-3950	-21M	K33-16	MIL-DTL-3950	-31E	K18-16	MIL-DTL-3950
-4P	K77	MIL-DTL-3950	-21N	K4-16	MIL-DTL-3950	-31F	K40-16	MIL-DTL-3950
-5E	K78	MIL-DTL-3950	-21P	K34-16	MIL-DTL-3950	-31K	K41-16	MIL-DTL-3950
-5F	K79	MIL-DTL-3950	-22D	K10-16	MIL-DTL-3950	-31L	K13-16	MIL-DTL-3950
-5K	K80	MIL-DTL-3950	-22F	K35-16	MIL-DTL-3950	-31M	K17-16	MIL-DTL-3950
-5L	K81	MIL-DTL-3950	-22G	K9-16	MIL-DTL-3950	-31N	K8-16	MIL-DTL-3950
-5M	K82	MIL-DTL-3950	-23D	K6-16	MIL-DTL-3950	-32E	K23-16	MIL-DTL-3950
-5N	K83	MIL-DTL-3950	-23F	K36-16	MIL-DTL-3950	-33E	K24-16	MIL-DTL-3950
-6E	K84	MIL-DTL-3950	-23G	K7-16	MIL-DTL-3950	-33F	K25-16	MIL-DTL-3950
-6L	K85	MIL-DTL-3950	-24E	K16-16	MIL-DTL-3950	-33K	K26-16	MIL-DTL-3950
-6N	K86	MIL-DTL-3950	-24F	K37-16	MIL-DTL-3950	-33M	K42-16	MIL-DTL-3950
-7B	K87	MIL-DTL-3950	-24K	K38-16	MIL-DTL-3950	MS27783-1A	8575K43-16	MIL-DTL-3950
MS27409-1A	8505K43	MIL-DTL-3950	-24M	K11-16	MIL-DTL-3950	-1B	K44-16	MIL-DTL-3950
-1B	K44	MIL-DTL-3950	-26F	K20-16	MIL-DTL-3950	-1D	K45-16	MIL-DTL-3950
-1D	K45	MIL-DTL-3950	-27E	K12-16	MIL-DTL-3950	-1E	K46-16	MIL-DTL-3950
-1E	K46	MIL-DTL-3950	-27L	K39-16	MIL-DTL-3950	-1K	K51-16	MIL-DTL-3950
-1F	K47	MIL-DTL-3950	-27N	K14-16	MIL-DTL-3950	-1L	K52-16	MIL-DTL-3950
-1G	K48	MIL-DTL-3950	-28E	K15-16	MIL-DTL-3950	-1M	K53-16	MIL-DTL-3950
-1H	K49	MIL-DTL-3950	-29F	K21-16	MIL-DTL-3950	-1N	K54-16	MIL-DTL-3950
-1J	K50	MIL-DTL-3950	-30F	K19-16	MIL-DTL-3950	-1P	K55-16	MIL-DTL-3950
-1K	K51	MIL-DTL-3950	-31E	K18-16	MIL-DTL-3950	-2E	K56-16	MIL-DTL-3950
-1L	K52	MIL-DTL-3950	-31F	K40-16	MIL-DTL-3950	-2F	K57-16	MIL-DTL-3950
-1M	K53	MIL-DTL-3950	-31K	K41-16	MIL-DTL-3950	-2K	K58-16	MIL-DTL-3950
-1N	K54	MIL-DTL-3950	-31L	K13-16	MIL-DTL-3950	-2L	K59-16	MIL-DTL-3950
-1P	K55	MIL-DTL-3950	-31M	K17-16	MIL-DTL-3950	-2M	K60-16	MIL-DTL-3950
-2E	K56	MIL-DTL-3950	-31N	K8-16	MIL-DTL-3950	-2N	K61-16	MIL-DTL-3950
-2F	K57	MIL-DTL-3950	-32E	K23-16	MIL-DTL-3950	-3E	K62-16	MIL-DTL-3950
-2K	K58	MIL-DTL-3950	-33E	K24-16	MIL-DTL-3950	-3L	K63-16	MIL-DTL-3950
-2L	K59	MIL-DTL-3950	-33F	K25-16	MIL-DTL-3950	-3N	K64-16	MIL-DTL-3950
-2M	K60	MIL-DTL-3950	-33K	K26-16	MIL-DTL-3950	-21A	K1-16	MIL-DTL-3950
-2N	K61	MIL-DTL-3950				-21B	K27-16	MIL-DTL-3950
-3E	K62	MIL-DTL-3950				-21D	K5-16	MIL-DTL-3950
-3L	K63	MIL-DTL-3950				-21E	K2-16	MIL-DTL-3950
-3N	K64	MIL-DTL-3950						

# REFERENCE DOCUMENTS

## Cross Reference

### MILITARY PART NUMBERS TO LABINAL POWER SYSTEMS CATALOG NUMBERS

Military Part Number	LPS Catalog No.	MIL Specification	Military Part Number	LPS Catalog No.	MIL Specification	Military Part Number	LPS Catalog No.	MIL Specification
MS27783-21F	8575K28-16	MIL-DTL-3950	MS27787-21F	8573K8-20	MIL-DTL-3950	MS27788-27N	8574K14-20	MIL-DTL-3950
-21G	K3-16	MIL-DTL-3950	-21G	K3-20	MIL-DTL-3950	-28E	K15-20	MIL-DTL-3950
-21H	K29-16	MIL-DTL-3950	-21H	K29-20	MIL-DTL-3950	-29F	K21-20	MIL-DTL-3950
-21J	K30-16	MIL-DTL-3950	-21J	K30-20	MIL-DTL-3950	-30F	K19-20	MIL-DTL-3950
-21K	K31-16	MIL-DTL-3950	-21K	K31-20	MIL-DTL-3950	-31E	K18-20	MIL-DTL-3950
-21L	K32-16	MIL-DTL-3950	-21L	K32-20	MIL-DTL-3950	-31F	K40-20	MIL-DTL-3950
-21M	K33-16	MIL-DTL-3950	-21M	K33-20	MIL-DTL-3950	-31K	K41-20	MIL-DTL-3950
-21N	K4-16	MIL-DTL-3950	-21N	K4-20	MIL-DTL-3950	-31L	K13-20	MIL-DTL-3950
-21P	K34-16	MIL-DTL-3950	-21P	K34-20	MIL-DTL-3950	-31M	K17-20	MIL-DTL-3950
-22D	K10-16	MIL-DTL-3950	-22D	K10-20	MIL-DTL-3950	-31N	K8-20	MIL-DTL-3950
-22F	K35-16	MIL-DTL-3950	-22F	K35-20	MIL-DTL-3950	-32E	K23-20	MIL-DTL-3950
-22G	K9-16	MIL-DTL-3950	-22G	K9-20	MIL-DTL-3950	-33E	K24-20	MIL-DTL-3950
-23D	K6-16	MIL-DTL-3950	-23D	K6-20	MIL-DTL-3950	-33F	K25-20	MIL-DTL-3950
-23F	K36-16	MIL-DTL-3950	-23F	K36-20	MIL-DTL-3950	-33M	K26-20	MIL-DTL-3950
-23G	K7-16	MIL-DTL-3950	-23G	K7-20	MIL-DTL-3950	-33M	K42-20	MIL-DTL-3950
-24E	K16-16	MIL-DTL-3950	-24E	K16-20	MIL-DTL-3950	MS27789-1A	8575K43-20	MIL-DTL-3950
-24F	K37-16	MIL-DTL-3950	-24F	K37-20	MIL-DTL-3950	-1B	K44-20	MIL-DTL-3950
-24K	K38-16	MIL-DTL-3950	-24K	K38-20	MIL-DTL-3950	-1D	K45-20	MIL-DTL-3950
-24M	K11-16	MIL-DTL-3950	-24M	K11-20	MIL-DTL-3950	-1E	K46-20	MIL-DTL-3950
-26F	K20-16	MIL-DTL-3950	-26F	K20-20	MIL-DTL-3950	-1F	K47-20	MIL-DTL-3950
-27E	K12-16	MIL-DTL-3950	-27E	K12-20	MIL-DTL-3950	-1G	K48-20	MIL-DTL-3950
-27L	K39-16	MIL-DTL-3950	-27L	K39-20	MIL-DTL-3950	-1H	K49-20	MIL-DTL-3950
-27N	K14-16	MIL-DTL-3950	-27N	K14-20	MIL-DTL-3950	-1J	K50-20	MIL-DTL-3950
-28E	K15-16	MIL-DTL-3950	-28E	K15-20	MIL-DTL-3950	-1K	K51-20	MIL-DTL-3950
-29F	K21-16	MIL-DTL-3950	-29F	K21-20	MIL-DTL-3950	-1L	K52-20	MIL-DTL-3950
-30F	K19-16	MIL-DTL-3950	-30F	K19-20	MIL-DTL-3950	-1M	K53-20	MIL-DTL-3950
-31E	K18-16	MIL-DTL-3950	-31E	K18-20	MIL-DTL-3950	-1N	K54-20	MIL-DTL-3950
-31F	K40-16	MIL-DTL-3950	-31F	K40-20	MIL-DTL-3950	-1P	K55-20	MIL-DTL-3950
-31K	K41-16	MIL-DTL-3950	-31K	K41-20	MIL-DTL-3950	-2E	K56-20	MIL-DTL-3950
-31L	K13-16	MIL-DTL-3950	-31L	K13-20	MIL-DTL-3950	-2F	K57-20	MIL-DTL-3950
-31M	K17-16	MIL-DTL-3950	-31M	K17-20	MIL-DTL-3950	-2K	K58-20	MIL-DTL-3950
-31N	K8-16	MIL-DTL-3950	-31N	K8-20	MIL-DTL-3950	-2L	K59-20	MIL-DTL-3950
-32E	K23-16	MIL-DTL-3950	-32E	K23-20	MIL-DTL-3950	-2M	K60-20	MIL-DTL-3950
-33E	K24-16	MIL-DTL-3950	-33E	K24-20	MIL-DTL-3950	-2N	K61-20	MIL-DTL-3950
-33F	K25-16	MIL-DTL-3950	-33F	K25-20	MIL-DTL-3950	-3E	K62-20	MIL-DTL-3950
-33K	K26-16	MIL-DTL-3950	-33K	K26-20	MIL-DTL-3950	-3L	K63-20	MIL-DTL-3950
-33M	K42-16	MIL-DTL-3950	-33M	K42-20	MIL-DTL-3950	-3N	K64-20	MIL-DTL-3950
MS27784-21	8570K1-20	MIL-DTL-3950	MS27788-1A	8574K65-20	MIL-DTL-3950	-21A	K1-20	MIL-DTL-3950
-22	K9-20	MIL-DTL-3950	-1B	K66-20	MIL-DTL-3950	-21B	K27-20	MIL-DTL-3950
-23	K4-20	MIL-DTL-3950	-1D	K67-20	MIL-DTL-3950	-21D	K5-20	MIL-DTL-3950
-24	K6-20	MIL-DTL-3950	-1E	K68-20	MIL-DTL-3950	-21E	K2-20	MIL-DTL-3950
-26	K5-20	MIL-DTL-3950	-1F	K69-20	MIL-DTL-3950	-21F	K28-20	MIL-DTL-3950
-27	K2-20	MIL-DTL-3950	-1G	K70-20	MIL-DTL-3950	-21G	K3-20	MIL-DTL-3950
-28	K7-20	MIL-DTL-3950	-1H	K71-20	MIL-DTL-3950	-21H	K29-20	MIL-DTL-3950
-29	K10-20	MIL-DTL-3950	-1J	K72-20	MIL-DTL-3950	-21J	K30-20	MIL-DTL-3950
-30	K11-20	MIL-DTL-3950	-1K	K73-20	MIL-DTL-3950	-21K	K31-20	MIL-DTL-3950
-31	K3-20	MIL-DTL-3950	-1L	K74-20	MIL-DTL-3950	-21L	K32-20	MIL-DTL-3950
-32	K12-20	MIL-DTL-3950	-1M	K75-20	MIL-DTL-3950	-21M	8575K33-20	MIL-DTL-3950
-33	K13-20	MIL-DTL-3950	-1N	K76-20	MIL-DTL-3950	-21N	K4-20	MIL-DTL-3950
MS27785-1	8571K17-20	MIL-DTL-3950	-1P	K77-20	MIL-DTL-3950	-21P	K34-20	MIL-DTL-3950
-2	K18-20	MIL-DTL-3950	-2E	K78-20	MIL-DTL-3950	-22D	K10-20	MIL-DTL-3950
-3	K19-20	MIL-DTL-3950	-2F	K79-20	MIL-DTL-3950	-22F	K35-20	MIL-DTL-3950
-21	K1-20	MIL-DTL-3950	-2K	K80-20	MIL-DTL-3950	-22G	K9-20	MIL-DTL-3950
-22	K9-20	MIL-DTL-3950	-2L	K81-20	MIL-DTL-3950	-23D	K6-20	MIL-DTL-3950
-23	K4-20	MIL-DTL-3950	-2M	K82-20	MIL-DTL-3950	-23F	K36-20	MIL-DTL-3950
-24	K6-20	MIL-DTL-3950	-2N	K83-20	MIL-DTL-3950	-23G	K7-20	MIL-DTL-3950
-26	K5-20	MIL-DTL-3950	-3E	K84-20	MIL-DTL-3950	-24E	K18-20	MIL-DTL-3950
-27	K2-20	MIL-DTL-3950	-3L	K85-20	MIL-DTL-3950	-24F	K37-20	MIL-DTL-3950
-28	K7-20	MIL-DTL-3950	-3N	K86-20	MIL-DTL-3950	-24K	K38-20	MIL-DTL-3950
-29	K10-20	MIL-DTL-3950	-21A	K1-20	MIL-DTL-3950	-24M	K11-20	MIL-DTL-3950
-30	K11-20	MIL-DTL-3950	-21B	K27-20	MIL-DTL-3950	-26F	K20-20	MIL-DTL-3950
-31	K3-20	MIL-DTL-3950	-21D	K5-20	MIL-DTL-3950	-27E	K12-20	MIL-DTL-3950
-32	K12-20	MIL-DTL-3950	-21E	K2-20	MIL-DTL-3950	-27L	K39-20	MIL-DTL-3950
-33	K13-20	MIL-DTL-3950	-21F	K28-20	MIL-DTL-3950	-27N	K14-20	MIL-DTL-3950
MS27786-1	8572K15-20	MIL-DTL-3950	-21G	K3-20	MIL-DTL-3950	-28E	K15-20	MIL-DTL-3950
-2	K16-20	MIL-DTL-3950	-21H	K29-20	MIL-DTL-3950	-29F	K21-20	MIL-DTL-3950
-3	K17-20	MIL-DTL-3950	-21J	K30-20	MIL-DTL-3950	-30F	K19-20	MIL-DTL-3950
-21	K1-20	MIL-DTL-3950	-21K	K31-20	MIL-DTL-3950	-31E	K18-20	MIL-DTL-3950
-22	K9-20	MIL-DTL-3950	-21L	K32-20	MIL-DTL-3950	-31F	K40-20	MIL-DTL-3950
-23	K4-20	MIL-DTL-3950	-21M	K33-20	MIL-DTL-3950	-31K	K41-20	MIL-DTL-3950
-24	K6-20	MIL-DTL-3950	-21N	K4-20	MIL-DTL-3950	-31L	K13-20	MIL-DTL-3950
-26	K5-20	MIL-DTL-3950	-21P	K34-20	MIL-DTL-3950	-31M	K17-20	MIL-DTL-3950
-27	K2-20	MIL-DTL-3950	-22D	K10-20	MIL-DTL-3950	-31N	K8-20	MIL-DTL-3950
-28	K7-20	MIL-DTL-3950	-22F	K35-20	MIL-DTL-3950	-32E	K23-20	MIL-DTL-3950
-29	K10-20	MIL-DTL-3950	-22G	K9-20	MIL-DTL-3950	-33E	K24-20	MIL-DTL-3950
-30	K11-20	MIL-DTL-3950	-23D	K6-20	MIL-DTL-3950	-33F	K25-20	MIL-DTL-3950
-31	K3-20	MIL-DTL-3950	-23F	K36-20	MIL-DTL-3950	-33K	K26-20	MIL-DTL-3950
-32	K12-20	MIL-DTL-3950	-23G	K7-20	MIL-DTL-3950	-33M	K42-20	MIL-DTL-3950
-33	K13-20	MIL-DTL-3950	-24E	K16-20	MIL-DTL-3950	MS27903-1	WC150PB6	MIL-S-8805/38
MS27787-21A	8573K1-20	MIL-DTL-3950	-24F	K37-20	MIL-DTL-3950	-2	WC150PB6R	MIL-S-8805/38
-21B	K27-20	MIL-DTL-3950	-24K	K38-20	MIL-DTL-3950	-3	WC150PAB6	MIL-S-8805/38
-21D	K5-20	MIL-DTL-3950	-24M	K11-20	MIL-DTL-3950	-4	WC150PAB6R	MIL-S-8805/38
-21E	K2-20	MIL-DTL-3950	-26F	K20-20	MIL-DTL-3950	-5	WC150WB6	MIL-S-8805/38
			-27E	K12-20	MIL-DTL-3950	-6	WC150WB6R	MIL-S-8805/38
			-27L	K39-20	MIL-DTL-3950	MS27994-1	SF-203	MIL-S-8805/32
						-2	-206	MIL-S-8805/32

REFERENCE DOCUMENTS  
Cross Reference

**MILITARY PART NUMBERS TO LABINAL POWER SYSTEMS CATALOG NUMBERS**

<b>Military Part Number</b>	<b>LPS Catalog No.</b>	<b>MIL Specification</b>
-3	-103	MIL-S-8805/32
-4	-203-1	MIL-S-8805/32
-5	-206-1	MIL-S-8805/32
MS27995-1	H11-228	MIL-S-8805/42
MS27996-1	H6-1029	MIL-S-8805/53
MS90310-211	8868K1	MIL-DTL-8834
-221	K7	MIL-DTL-8834
-231	K4	MIL-DTL-8834
-241	K5	MIL-DTL-8834
-271	K2	MIL-DTL-8834
-281	K6	MIL-DTL-8834
-311	K3	MIL-DTL-8834
MS90311-211	8869K1	MIL-DTL-8834
-221	K7	MIL-DTL-8834
-231	K4	MIL-DTL-8834
-241	K5	MIL-DTL-8834
-271	K2	MIL-DTL-8834
-281	K6	MIL-DTL-8834
-311	K3	MIL-DTL-8834
-711	K1X	MIL-DTL-8834
-721	K7X	MIL-DTL-8834
-731	K4X	MIL-DTL-8834
-741	K5X	MIL-DTL-8834
-771	K2X	MIL-DTL-8834
-781	K6X	MIL-DTL-8834
-811	K3X	MIL-DTL-8834
NAF1173-1	8896K1	
-2	8895K1	
NAF1174-1	8897K1	
NAF47851-1	8499K2	

# REFERENCE DOCUMENTS

## Rating, Cross Reference and Engineering Data

MIL Specifications				
MIL SPECIFICATION				
TEST REQUIREMENT	MILPRF-8805	MIL-PRF-22885	MIL-DTL-3950	MIL-DTL-8834
<b>1 .Strength of Terminal</b>	Solder - 9 lb. #4 Screw - 5 lb. #6 Screw - 30 lb. Leads - 15 lb.	Solder - 5 lb. #4 Screw - 5 lb. #6 Screw - 30 lb. Leads - 15 lb.	5 lb. solder lug. 25 lb. screw term. 5 lb. in. torque screw term. 15 lb. I.W.T.S. term.	5 lb. solder lug 25 lb. screw term. 5 lb. in. torque screw term. 5 lb. I.W.T.S. term.
<b>2. Strength of Actuating Lever Pivot and Stop</b>	10 lb.	25 lb.	25 lb. throughout range	25 lb. throughout range
<b>3. Strength of Mounting Means</b>	15 lb.-in.	15 lb.-in.	25 lb.-in. torque	65 lb.-in. torque 15/32 & over 15 lb.-in. torque under 15/32
<b>4. Dielectric (Sea Level) Indication</b>	1000V ac for one minute	1000V ac for one minute	1200V ac Group A 750V ac after electrical endurance toggle to terminal only. 500 microampere max. leakage 500V ac (65K ft.)	1800V ac Group A 500 microamperes max. leakage 500V ac (65K ft.)
<b>Dielectric (Altitude)</b>	500V ac above 10,000 ft.	400V ac above 10,000 ft.		
<b>5. Contact Voltage Drop</b>	Contact Resistance .025 Ohm New .040 Ohm After Mechanical Life	Contact Resistance .025 Ohm New .080 Ohm After Electrical Life	2.5 millivolt initial 5.0 millivolt after mechanical endurance I.W.T.S. 8.0 millivolt initial @2-6Vdc 0.1 amp.	1.0 millivolt initial @ 2-6V dc 0.1 amp.
<b>6. Temperature Rise</b>	50 deg. C max. at rated resistive load after life	50 deg. C max. at rated resistive load after life	50 deg. C rise @ rated res. after endurance test current	50 deg. C rise @ rated res. after endurance test current
<b>7. Short Circuit</b>	60 times rated resistive load	60 times rated resistive load	10 oper. make & carry 60 x rated resistive load @ lowest dc V	10 oper. make & carry 60 x rated resistive load @ lowest dc V
<b>8. Mechanical Life</b>	As specified at high and low temperature		20K operations -65 deg. C 20K operations +71 deg. C	20K operations -55 deg. C 20K operations +71 deg. C
<b>9. Electrical Endurance</b>	As specified	As specified	20K operations	20K operations
<b>10. Overload</b>	50 operations @ 150% rated resistive load	50 operations @ 150% rated resistive load	50 operations @ 150% rated resistive load	50 operations @ 150% rated resistive load
<b>11. A) Electrical Endurance at Altitude</b>	Sequence of test, ratings and environmental conditions are specified in MIL-S-8805	Sequence of test, ratings and environmental conditions are specified in MIL-S-22885	20K oper. resistive load @65K ft. rm temp 20K oper. ind. load @65K ft. rm. temp. Performed on separate test samples	20K oper. resistive load @65K ft. rm temp 20K oper. ind. load @65K ft. rm. temp. Performed on separate test samples
<b>B) Electrical Endurance at Sea Level</b>			20K operations resistive load @71 deg. C 20K operations ind. load @ rm. temp. Performed on separate test samples	20K operations resistive load @ rm. temp. 20K operations ind. load @ rm. temp. Performed on separate test samples
<b>12. Vibration</b>	See Detail Sheet	See Detail Sheet	Method 204 of MIL-STD-202. Test Condition A .06 D.A. or 10 G's 10-500 Hz 10 micro sec. max. chatter	Method 204 of MIL-STD-202. Test Condition D .06 D.A. or 20 G's 2000 Hz 10 micro sec. max. chatter
<b>13. Shock</b>	See Detail Sheet	See Detail Sheet	Pulse-Method 213 of MIL-STD-202, Test Condition B @ 75 G's 10 micro sec. max. chatter Pulse-Method 213 of MIL-STD-202,	Test Condition I @ 100G's 10 micro sec. max. chatter
<b>14. Salt Spray</b>	MIL-STD-202 Method 101	MIL-STD-202 Method 101	48 hours-Method 101 of MIL-STD-202, Test Condition B 10 operations @ lowest rated dc voltage	96 hours-Method 101 of MIL-STD-202, Test Condition A Env. 50 oper. @ rated resistive current and lowest rated dc V
<b>Test Upon Completion</b>	See Detail Sheet	See Detail Sheet		
<b>15. Moisture Resistance</b>	MIL-STD-202 Method 106, 100V dc potential between current carrying parts & panel	MIL-STD-202 Method 106, 100V dc potential between current carrying parts & panel	Method 106 of MIL-STD-202, 10 days, 100V dc potential between current carrying parts & panel	Method 106 of MIL-STD-202, 10 days, 100V dc potential between current carrying parts & panel, 0.1 A. max. leakage

# REFERENCE DOCUMENTS

## Rating, Cross Reference and Engineering Data

MIL Specifications - Continued				
TEST REQUIREMENT	MIL SPECIFICATION			
	MIL-S-8805	MIL-S-22885	MIL-DTL-3950F	MIL-DTL-8834F
See Detail Sheet	See Detail Sheet	Method 110 of MIL-STD-202, Test Cond. B; 6 hrs @ 23 deg. C; 6 hrs @ 63 deg. C.	Method 110 of MIL-STD-202, Test Cond. B; 6 hours @ 23 deg. C, 6 hrs @ 63 deg. C.	
<b>17. Explosion</b>  MIL-STD-202 Method 109	MIL-STD-202 Method 109	No Requirement	Method 109 of MIL-STD-202. Max. rated dc inductive load toggle seal only.	
<b>18. Sealing</b>	See Detail Sheet	See Detail Sheet	1) Non destructive-submerge in H2O @ 2.0 +/- .5 in. of Hg for 5 minutes  2) Destructive-no leakage when sub-merged in sodium chloride solution at 2.0 +/- .5 in. of Hg for 4 hrs and sub merged at sea level for 16 hours	1) Lever seal - 20K operations at 6.5 lbs./in2 water pressure - seal only submerged 1/4" bushings only ③  2) Environmental seal: A-Non dest.-mass spectr. B-Destructive-submerge sw. in ethylene glycol, temp. range -18 deg. C to +71 deg. C, 20K oper. Sws. checked for contact V drop & dielectric
<b>19. A) Toggle Seal B) Bushing Seal</b>	---	---	No Requirement See Sealing	1 hr ea. lever pos. @-55 deg C Toggle ICE
<b>20. Temperature Operation</b>	See Detail Sheet	-55 deg. C to +85 deg. C	See Mechanical Life	See Mechanical Life
<b>21. Life Low Cur. Level</b>	See Detail Sheet	See Detail Sheet	40K operations @25 deg. C; Method 311 of MIL-STD-202	when specified 20K operations @71 deg. C; 5 millivolt, 5 microamp
<b>22. Fungus</b>	Non-nutrient materials only	Non-nutrient materials only	No Requirement	No Requirement
<b>23. Intermediate Current</b>	See Detail Sheet	27 +3 -OV dc & Relay M5757/10-033	20K operations @35-40 mA res. load. Lowest rated dc V and 71 deg. C amb.	See Life Low Cur. Level
<b>24. Thermal Shock</b>	MIL-STD-202 Method 107	MIL-STD-202 Method 107	Method 107 of MIL-STD-202, Test Condition B; 5 cycles @ -65 deg. C/ +125 deg. C	Method 107 of MIL-STD-202, Test Cond. A, 5 cycles @ -55 deg. C/+85 deg. C

③ Toggle seal - 5 operations under 0.5 inches of H2O above top of bushing

# REFERENCE DOCUMENTS

## Glossary of Terms

### -A-

**ACTUATOR** - Mechanism of the switch that when operated transfers the internal contacts.

**ALLOY** - A metal composed of two or more different metals to obtain a desired physical property.

**ALTERNATE ACTION** - Typically associated with pushbutton switches; switch contacts remain in a given circuit condition after removal of actuating force; when actuating force is applied a second time, the opposite circuit is engaged.

**ALTERNATING CURRENT (AC)** - An electric current that reverses direction at regularly recurring intervals of time.

**AMBIENT TEMPERATURE RANGE** - Operating temperature range.

**ANGLE OF THROW** - Associated with rocker and toggle switches to indicate the total travel arc of the actuator, measured in degrees.

**ANNEALED** - To heat and then cool (as steel or glass) for softening and making the material less brittle; for example, annealed copper is less brittle.

**ARCING** - The flow or movement of electric current between opening or closing switch contacts.

### -B-

**BASIC SWITCH** - Classified as a self-contained switching unit. May be used independently or with a gang-mounted assembly. Usually mechanically actuated.

**BREAK** - To open an electrical set of closed contacts.

**BREAK BEFORE MAKE** - To interrupt one circuit of a pole before completing a second circuit of the same pole.

### -C-

**CAPACITIVE LOAD** - A lumped capacitance that is switched as a unit.

**CONTACT BOUNCE** - The repeated rebounding of the movable contact during the transfer from one throw to the next; typically measured in micro or milliseconds.

**CONTACT RESISTANCE** - The resistance measured across a pair of closed contacts, which is in series with the load. Resistance levels will increase over time based on usage load conditions and environment. Measured in milliohms.

**CREEPAGE** - The unwanted flow of electrical current from one conductive part to another.

**CURRENT** - The flow of electrons within a wire or a circuit; measured in amperes.

**CYCLE** - An interval of time during which a sequence of a recurring succession of events or phenomena is completed.

### -D-

**DETENT** - A mechanical positioning device designed to stop the actuator travel at each successive electrical circuit.

**DIELECTRIC STRENGTH** - The potential gradient at which electric failure or breakdown occurs.

**DIFFERENTIAL TRAVEL (D.T.)** - The amount of actuator or plunger travel measured from the point where contacts "snap over" to the point where they "snap back."

**DIRECT CURRENT (DC)** - A unidirectional current in which changes in value are either zero or so small that they may be neglected. As originally used, the term designates a practically non-pulsating current.

**DOUBLE BREAK CONTACTS** - (Twin break.) Switch circuit breaks in two places. Also referred to as form Z circuitry.

**DOUBLE POLE (DP)** - see Pole.

**DOUBLE-POLE DOUBLE-THROW (DPDT)** - Switches which make and break two separate circuits. Both normally open and normally closed set of contacts offered with each pole.

**DOUBLE THROW (DT)** - see Throw.

**DRY CIRCUIT** - A low energy circuit condition where no arcing occurs during contact switching; typically in millivolt and milliamp ranges of current and voltage.

### -F-

**FLASH PLATING** - A very thin or "instant plating" process usually measuring less than 10 micro-inches thick.

**FLUX** - A substance (such as rosin) applied to surfaces to be joined by soldering, brazing or welding to clean and free them from oxide and promoting their union.

**FREE POSITION (FP)** - Switch plunger or actuator position when no outside force is applied, other than gravity.

**FULL OVERTRAVEL FORCE** - The amount of force required to achieve full overtravel of the switch actuator.

### -G-

**GROUND** - A conducting path between an electric circuit or equipment and the earth, or some large conducting body serving in place of the earth whether the connection is intentional or accidental.

### -H-

**HERMETICALLY SEALED SWITCH** - A switch in a gas tight enclosure that has been completely sealed by fusion or comparable means to insure a low rate of gas leakage over a long period of time. All junctures made with glass-to-metal or metal-to-metal.

## REFERENCE DOCUMENTS

### Glossary of Terms

#### -I-

**INDUCTIVE LOAD** - A load in which the initial current on make (contact closing) is lower than steady state and the voltage is greater than steady state upon break (contact opening). When contacts are opened (break), the stored energy of the inductor combined with the long arcing time is severe on the switch contacts.

**INRUSH** - The amount of current that a load draws when initially closing the switch contacts. May cause severe degradation of contacts.

**INSULATION RESISTANCE** - The electrical resistance between two normally insulated parts.

**IP** - Part of the IEC529 standard recommending the degree of protection of enclosures for low-voltage switch gear. Deals with the prevention of ingress of liquids and solid foreign matter in enclosures.

**ISOLATED LAMP CIRCUIT** - Independent of switching circuit; lamp is operated on a completely separate circuit from the switch circuit.

#### -L-

**LAMP LOAD** - Upon initial contact closure (make), high inrush current occurs (approximately 10 times greater than the steady state).

**LATCHDOWN** - One type of alternate action in which the push-button is mechanically secured in the down position; the pushbutton is at "normal" position for one circuit and latched down position for the other circuit condition.

**LED (LIGHT EMITTING DIODE)** - A solid state diode that provides variable light.

**LOGIC LEVEL** - An application in which power levels do not cause arcing, melting, or softening of contacts; also referred to as dry circuit or low energy; typically requiring gold contacts for reliability.

#### -M-

**MAINTAINED ACTION** - To remain in a given circuit condition until actuated into the next circuit condition.

**MAKE BEFORE BREAK** - Completing one circuit of a pole before interrupting another of the same pole.

**MOMENTARY ACTION** - Mechanically returning from a temporary circuit condition to the maintained circuit condition as soon as the actuating force is removed.

#### -N-

**NC** - Normally Closed contacts; circuit is closed when actuator is in its normal at-rest position.

**NEMA** - National Electrical Manufacturers Association, an agency of the United States, setting standards for products distributed worldwide; applied to switches in their degrees of protection

against the intrusion of liquids, dust, and other contaminants.

**NO** - Normally Open contacts; circuit is open when actuator is in its normal or at-rest position.

**NOISE, ELECTRICAL** - Unwanted electrical signals that produce undesirable effects in the circuits of the control systems in which they occur.

**NOMINAL** - The result of the calculated actual value range.

**NONSHORTING CONTACTS** - Contacts which break before make.

#### -O-

**OPAQUE** - A condition that is not pervious to radiant energy and especially light.

**OPERATING FORCE (O.F.)** - A measured amount of force applied to switch plunger or actuator to cause contact "snap-over" to occur.

**OPERATING POSITION (O.P.)** - Position of switch plunger or actuator at which point the internal switch contacts snap from normal to operated position.

**OVERTRAVEL (O.T.)** - Switch plunger or actuator travel designed to go safely beyond the operating position.

#### -P-

**PANEL SEAL** - Prevents liquids and solid particles from reaching the switch contacts from the front of the panel if the panel is subjected to foreign contamination usually caused by spills or splashing.

**PARALLEL CIRCUIT** - Electrical circuit having two or more inductors or paths for the current to flow.

**PF** - Power Factor; a means of determining contact capability when used with inductive loads relative to the standard resistive load rating; for example, if PF = 1.0, the inductive load is 100% of the resistive load, or if PF = 0.6, the inductive load is 60% of the resistive load.

**POLE** - A single common electrical input having one or more outputs.

**POSITION** - The mechanical stops or detents associated with the switch actuator.

**PRECISION SNAP-ACTING SWITCH** - An electromechanical switch having predetermined and accurately controlled characteristics and having a spring-loaded quick make and break contact action.

**PRETRAVEL (P.T.)** - Measured travel associated with the moving of the plunger or actuator from free position to operating position.

**PUSH-PUSH** - Considered a form of alternate action, but is not latchdown.

# REFERENCE DOCUMENTS

## Glossary of Terms

### -R-

**RELEASE FORCE (R.F.)** - Amount of force still applied to switch plunger or actuator at moment contacts snap from operated position to unoperated position.

**RMS** - Root Mean Square.

### -S-

**SHORTING CONTACTS** - Electrical switch contacts that are designed to make before break.

**SILICONE RUBBER** - Rubber produced from silicone elastomers with a high amount of flexibility, resilience, and tensile strength over a wide temperature range.

**SNAP ACTION** - Very fast mechanical transfer of contacts from one position to another. Contact transfer action is independent of speed of actuator travel.

**SPST** - Single Pole Single Throw - see Pole; also Throw.

### -T-

**TACTILE FEEDBACK** - The switching action felt by an operator as he operates the switch from position to position.

**THROW** - The number of electrical circuits within a switch pole.

**TOTAL TRAVEL** - Combined distance of actuator pretravel and overtravel; total distance actuator moves from relaxed position past the point of electrical contact and to the end of travel.

**TRANSLUCENT** - Transmitting and diffusing light so that objects beyond cannot be seen clearly.

**TRANSPARENT** - Having the property of transmitting light without appreciably scattering so that objects lying beyond are entirely visible.

**TRAVEL** - The distance the switch actuator moves which causes a change of electrical circuits.

**TWO CIRCUIT** - Circuit in which one circuit is made in one position and a separate circuit is made in the other position.

### -V-

**VOLTAGE DROP** - The difference of voltages at the two terminals of a passive impedance.

### -W-

**WIPING ACTION** - The action caused by the movable switch contact sliding across the stationary contact, resulting in the cleaning of the contact surfaces.



**Product Application Information and Warranty Disclaimer**

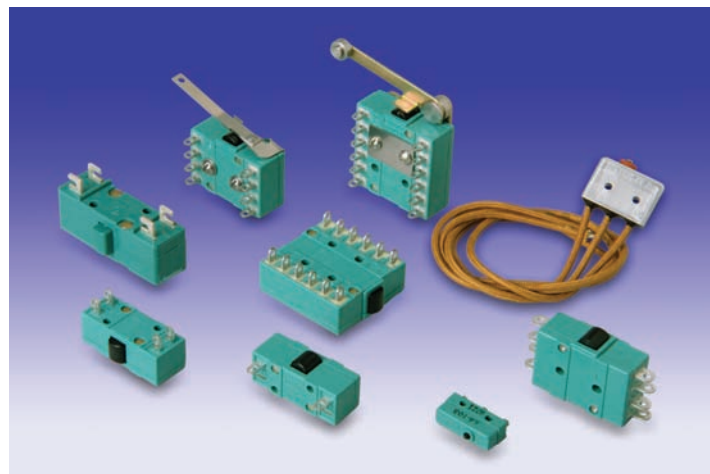
It is buyer's responsibility to determine the suitability of the particular device for its application, and Labinal Power Systems makes no warranties, and assumes no liability as to the suitability of sufficiency for buyer's application of the device. Ratings and switch performance are valid only on devices which have not been subjected to unauthorized modifications or misapplications. Dimensional drawings are available upon request.

**Notice**

The use of Labinal Power Systems devices should be in accordance with the provisions of the National Electric Code, U.L. and/or other local, military or industry standards that are pertinent to the particular end use. Installation or use not in accordance with these codes and standards could be hazardous to personnel and/or equipment.

**Government Cage Code**

The Government Cage Code for products manufactured by Labinal Power Systems's aerospace sensing and control manufacturing facilities are 81640, 76374, 96182, 99145 and 27878.



## KEY MISSIONS, KEY TECHNOLOGIES, KEY TALENTS

**Safran**  
Labinal Power Systems  
2250 Whitfield Avenue  
Sarasota, FL 34243  
Ph: (800) 955-7354  
(941) 751-7138  
Fax: (941) 751-7173  
[www.labinal-power.com](http://www.labinal-power.com)

