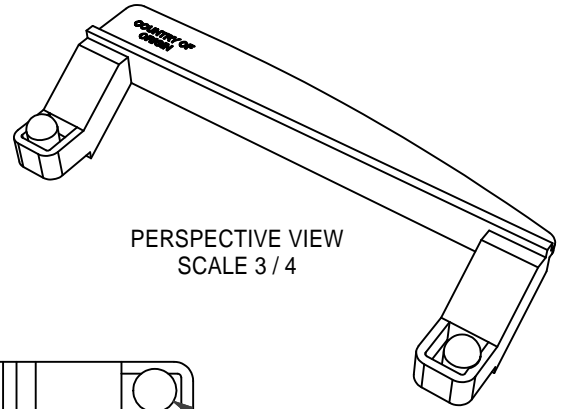
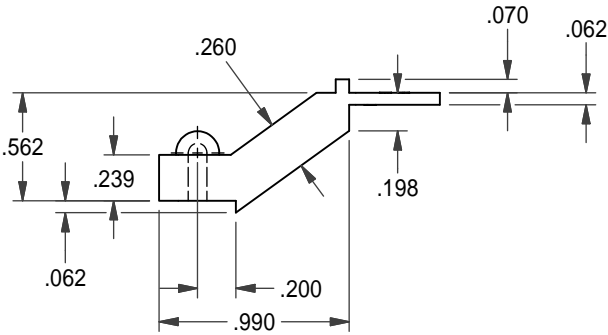
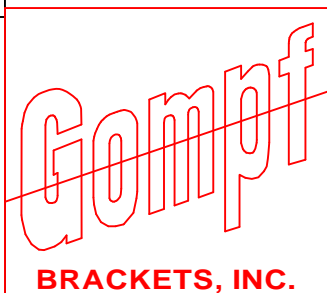
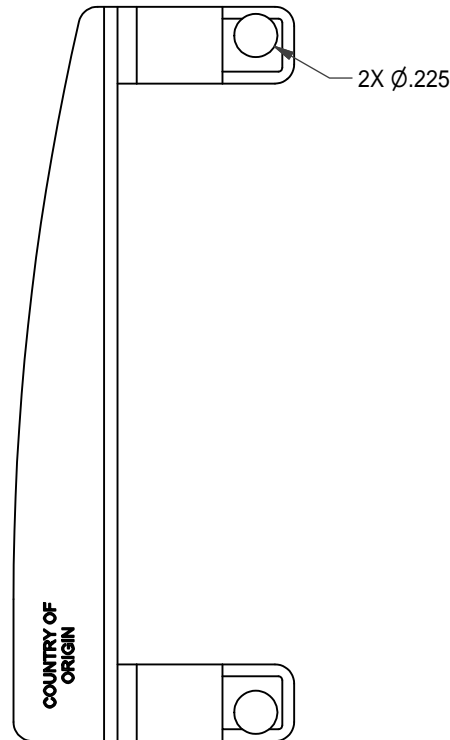
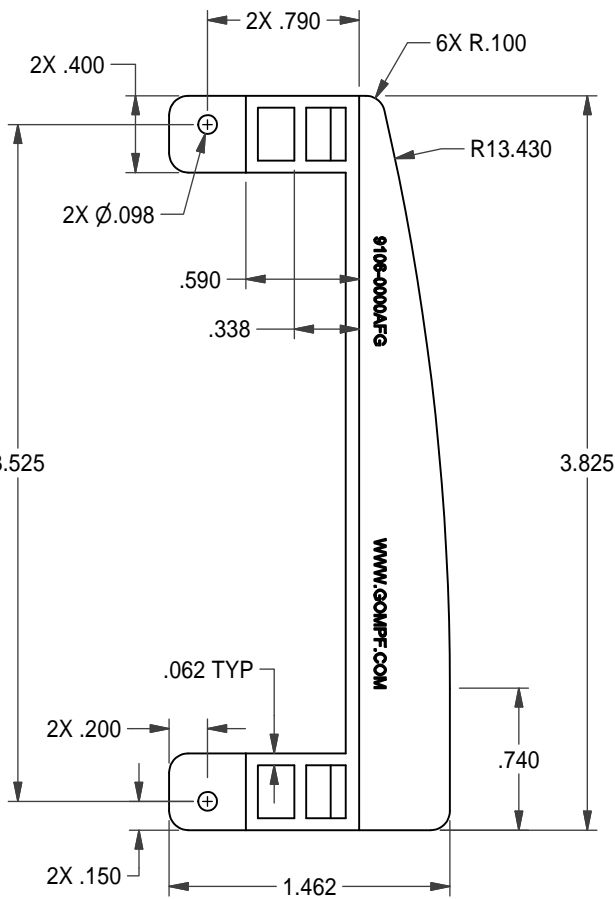


REVISION NOTICE		
REV	DESCRIPTION	DATE
00	ORIGINAL	6/28/2000
A	CHANGED REV LEVEL TO 'A'	8/1/2000

ENGINEERING CHANGE ORDER - (ECO)		
ECO #	DESCRIPTION	DATE
00	ORIGINAL	6/26/1997
01	REMOVED "WA" FROM P/N JULY 97 PER U.S. CUSTOMS	5/20/1998
02	ϕ .093 WAS ϕ .098	10/7/1998
03	"WWW.GOMPF.COM" WAS "GOMPF 98027", UPDATED CUSTOMER PART NUMBER	10/13/1999
04	ϕ .098 WAS ϕ .093	11/17/1999
05	ADDED COUNTRY OF ORIGIN	6/28/2000
06	ADDED RoHS REQUIREMENT	9/21/2005
07	15% FIBERGLASS WAS 10%	12/27/2005
08	UPDATED MATERIAL INFORMATION	4/6/2009



PERSPECTIVE VIEW
SCALE 3 / 4



DRAWN BY: Valen	DATE: 4/6/2009
APPROVALS:	RoHS COMPLIANT: Yes
MATERIAL: UL94V-0, Bayblend FR2010	
FINISH: Black	
TOLERANCES: STD. TOLS. \pm 0.010 RAD. TOLS. \pm 0.01 HOL. TOLS. \pm 0.005 MAT. TOLS. \pm 0.002	

Gompf Brackets, Inc.

12426 Suite C Mukilteo Speedway - Mukilteo, WA 98275
425-348-5002 (phone) 425-348-5150 (fax)
sales@bracket.com -- www.bracket.com

COPYRIGHT PROTECTED		SIZE: A	SCALE: 1:1	GOMPF PART NUMBER: 9106-0000AFG	REV: A	THIRD ANGLE
CUSTOMER NAME:				CUSTOMER PART NUMBER:		