

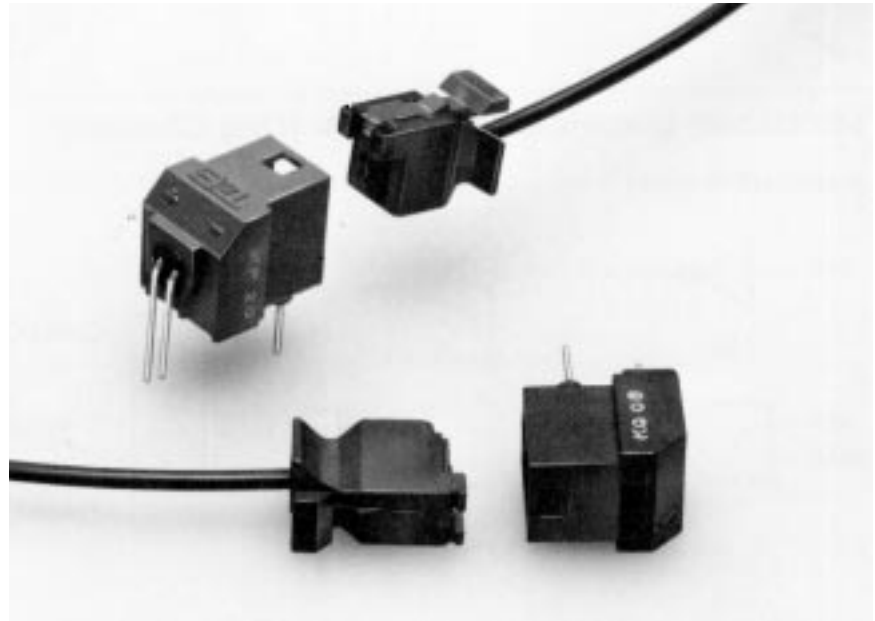
DESCRIPTION/APPLICATION

Thomas & Betts Optic PCB Data Link combines the benefits of fiber optic signaling with the convenience of plug-in PCB electrical termination. It is designed to permit fast, reliable self-termination of single channel plastic optical fiber... without the need for special tools, adhesives, or polishing.

The Data Link consists of a PCB-mounted receptacle with an integral emitter or detector optodevice; and a mating, self-terminating cable connector plug featuring a quick-release tab. The receptacle is wave solderable and color-coded for easy transmitter and receiver identification. It mates with the polarized cable connector plug with positive detents to achieve a high performance, cost effective link.

Thomas & Betts PCB data link is ideal where EMI/RFI immunity, ground loop isolation, extended distance needs, and spark-free data transmission are required.

FIBER OPTIC PCB DATA LINK



Self-terminating optical-electronic interface

DESIGN CONSIDERATIONS

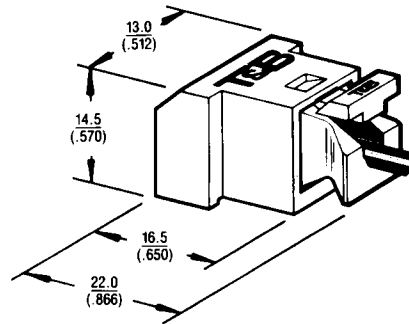
- Compatible with 1mm diameter, simplex plastic optical fiber with an OD of 2.25mm.
- Terminates fiber optic cable in seconds without tools, adhesives, or polishing.
- Suitable for terminating data transmission links at signal rates of 3Mb/s (NRZ).
- Opto-electrical interface includes a TTL compatible receiver and LED driver.
- Polarized connector plug provides positive, snap retention with quick-release tab.
- Optional color-coded (red) cable connector plug permits easy identification of transmission or receiver end of cable assembly.

Ordering Information — PCB Mounted Receptacle

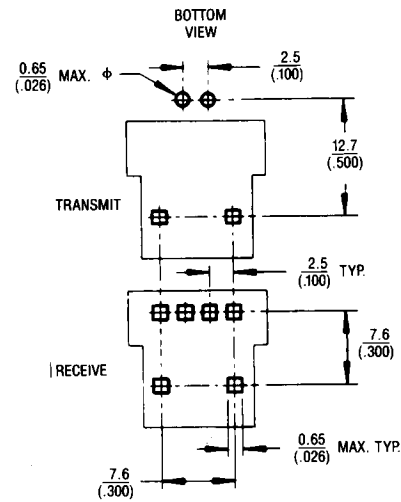
PART NUMBER	DESCRIPTION
92915-T-HS-10	Transmitter (red), 10Mbps
92915-R-HS-10	Receiver (black), 10Mbps
92915-T-DD	Transmitter (red), 3Mbps
92915-R-HS-4	Receiver (black), 3Mbps
92910	Plug (black) 2.25mm POF
92910-R	Plug (red) 2.25mm POF
92910-C5	Plug (black) 5mm POF
92910-R-C5	Plug (red) 5mm POF

FIBER OPTIC PCB DATA LINK SPECIFICATIONS

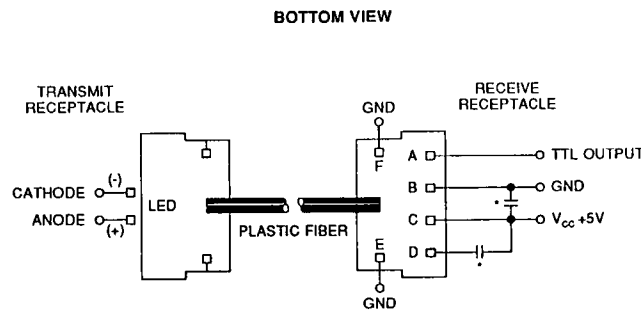
Dimensional Specifications



DIMENSIONS ARE SHOWN IN mm/(inches)



Pin Assignment



Proper operation of this product requires observance of certain design considerations. Refer to T&B publication No. OPD-AN100. *Performance specification and application notes.*

NOTE: * CONNECT a0.1µF BY-PASS CAPACITOR (VOLTAGE RATING 25V OR MORE).

