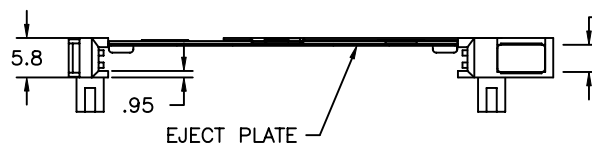
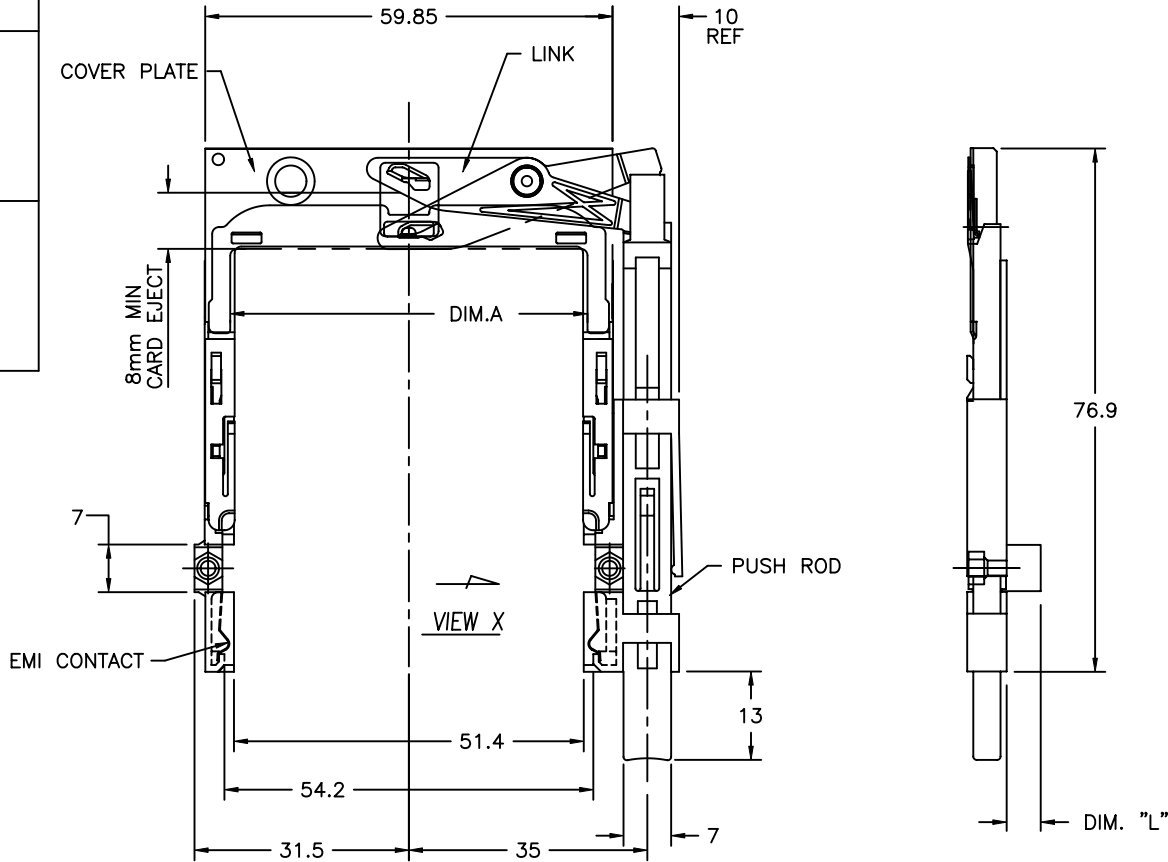


Tous droits strictement réservés. Reproduction ou communication à des tiers interdite sous quelque forme que ce soit sans autorisation écrite du propriétaire. Propriété de c. FCI. Droits de reproduction FCI.

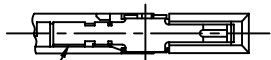
All rights strictly reserved. Reproduction or issue to third parties in any form whatever is not permitted without written authority from the proprietor. Property of FCI. Copyright FCI.

PRODUCT NUMBER	STAND-OFF DIM. "L"	CARD EJECT DIM.A
94613-00CA	0	52.5
94613-02CA	2	
94613-022CA	2.2	
94613-04CA	4	
94613-043CA	4.3	
94613-05CA	5	50.0
94613-00CA-V	0	
94613-02CA-V	2	
94613-022CA-V	2.2	
94613-04CA-V	4	
94613-043CA-V	4.3	
94613-05CA-V	5	



4.0 NOTES:

- 1 EJECT PLATE MOVE ALONG INSIDE WALL OF COVER PLATE SMOOTHLY AFTER ASSEMBLING WITH HEADER ASSY.
- 2 MATERIAL:
PLASTIC: GUIDE: POLYPHTHARAMIDE UL94V-0 BLACK
PLATE: STAINLESS
EMI CONTACT: PHOSPHOR BRONZE
- 3 SEE TA-946 FOR RECOMMENDED PCB LAYOUT.



TO BE PRESS-FITTED INTO THE HOLE OF GUIDE.

VIEW X

mat'l. code				tolerances unless otherwise specified		CUSTOMER COPY	FCI Electronics				
ltr	ecn no	dr	date				projection	title			
A	V40812	RDS	4/29/94	linear	.XX ±.3		68P EXT. EJECTOR HEADER TYPE 123 MECHANISM ASS'Y.				
B	V40988	RDS	6/13/94		.XXX ±0.13						
C	V41214	SSD	8/11/94	angles	.XXXX ±0.051						
D	V41259	RDS	12/9/94	dr	0° ±2°	MM scale 2:1	product family	MCS	code	-	
E	V00479	RGD	2/21/00	enr			size	dwg no			
F	V03-0518	WL	05/29/03	chr			A	94613	sheet	1 of 2	
G	T04-0169	WL	04/19/04	appd							
sheet	revision	G	G								
index	sheet	1	2								

cage code 22526
STATUS Released

PDM: Rev:G

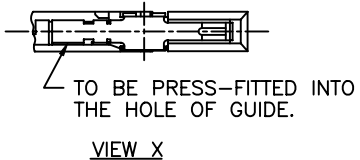
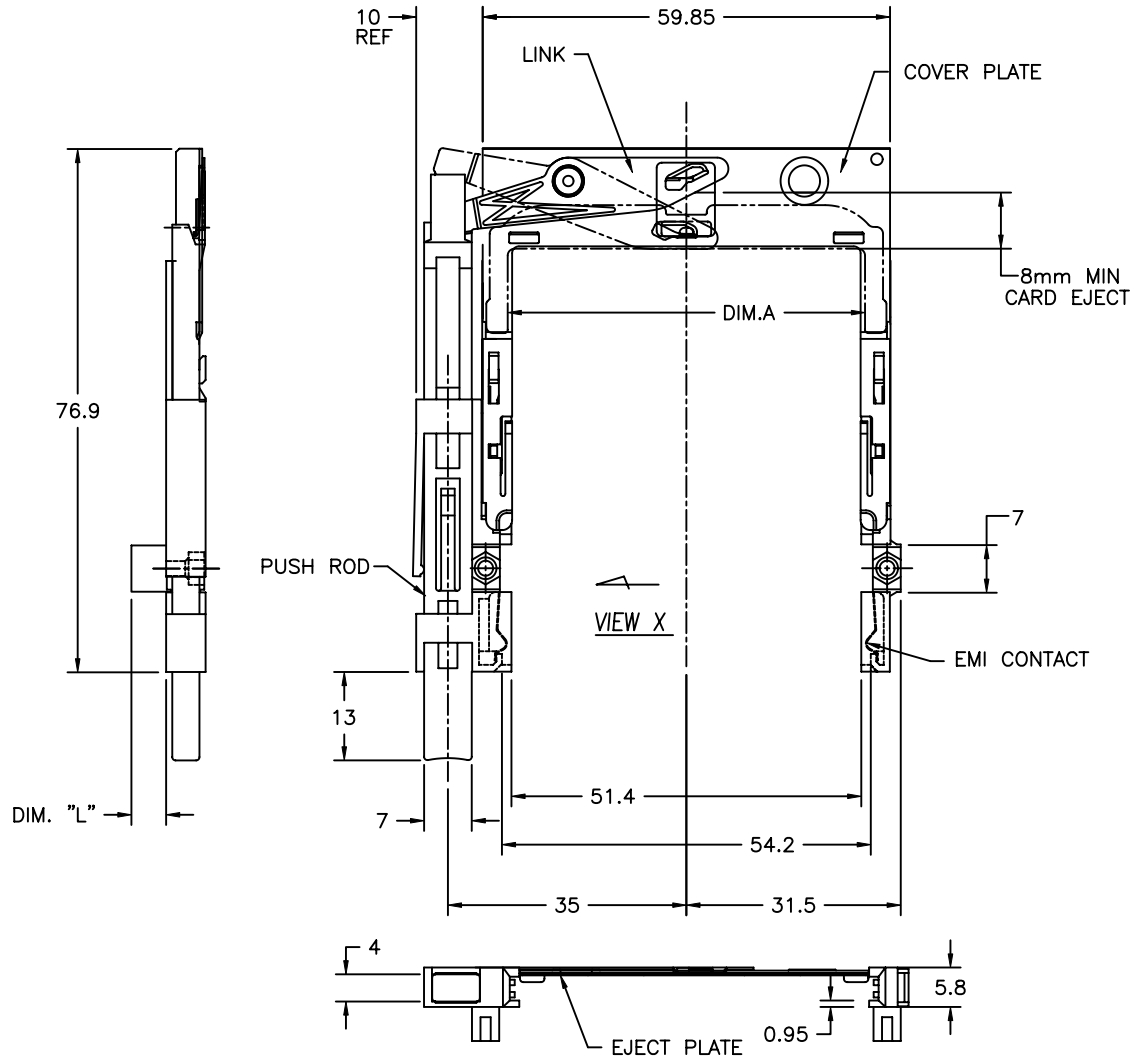
Printed: Oct 12, 2010

ACAD

Tous droits strictement réservés. Reproduction ou communication à des tiers interdite sous quelque forme que ce soit sans autorisation écrite du propriétaire. Propriété de c FCI. Droits de reproduction FCI.

All rights strictly reserved. Reproduction or issue to third parties in any form whatever is not permitted without written authority from the proprietor. Property of FCI. Copyright FCI.

PRODUCT NUMBER	STAND-OFF DIM. "L"	CARD EJECT DIM.A
94613-10CA	0	52.5
94613-12CA	2	
94613-122CA	2.2	
94613-14CA	4	
94613-143CA	4.3	
94613-15CA	5	50.0
94613-10CA-V	0	
94613-12CA-V	2	
94613-122CA-V	2.2	
94613-14CA-V	4	
94613-143CA-V	4.3	
94613-15CA-V	5	



NOTES:

- EJECT PLATE MOVE ALONG INSIDE WALL OF COVER PLATE SMOOTHLY AFTER ASSEMBLING WITH HEADER ASSY.
- MATERIAL:
PLASTIC: GUIDE: POLYPHTHARAMIDE UL94V-0 BLACK
PLATE: STAINLESS
EMI CONTACT: PHOSPHOR BRONZE
- SEE TA-946 FOR RECOMMENDED PCB LAYOUT.

mat'l. code		tolerances unless otherwise specified		CUSTOMER COPY	 Electronics FCI www.fciconnect.com
ltr	ecn no	dr	date	linear	
G				.XX ±.3	
				.XXX ±0.13	
				.XXX ±0.051	
				angles 0° ±2°	
		dr	D.SHEAFFER 4/15/94	MM	product family MCS
		enr	D.BRANN 4/15/94	scale 2:1	code -
		chr	D.BRANN 4/15/94	size dwg no	sheet 2 of
		appd	D.BRANN 4/15/94	A	94613
sheet index	revision sheet				