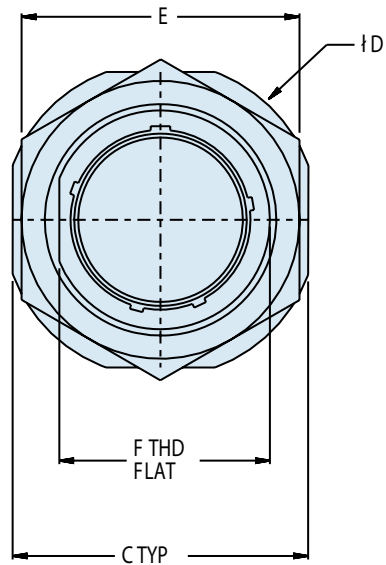
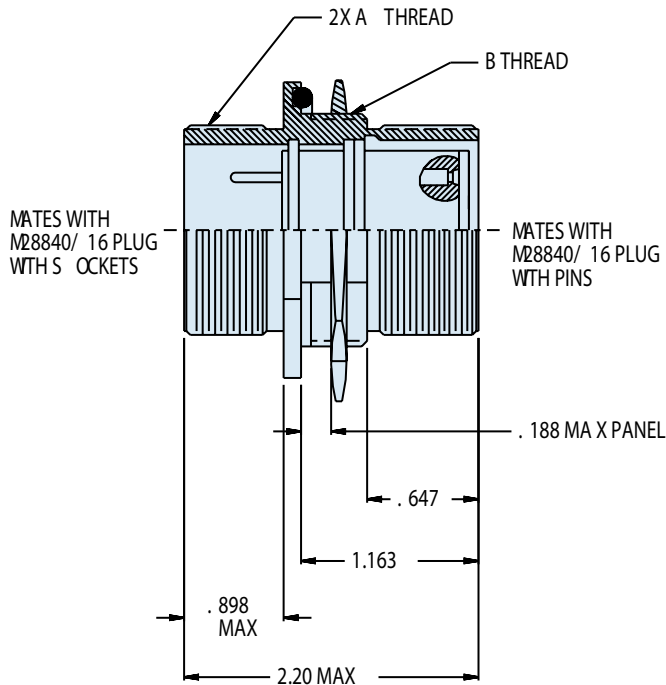
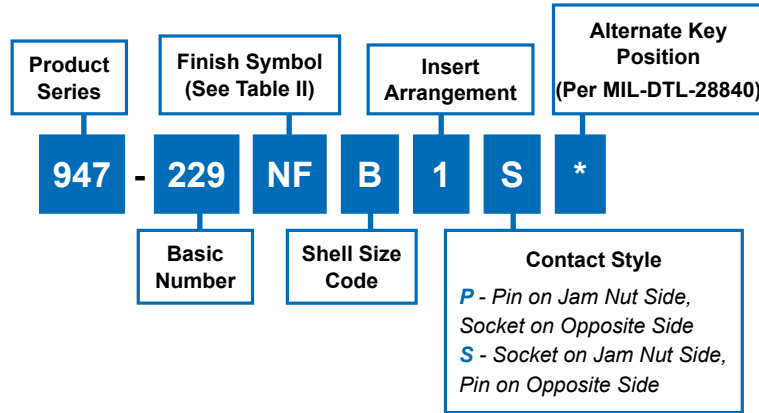


B



947-229
Bulkhead Feedthrough Receptacle
 Jam Nut Mount
 MIL-DTL-28840 Type



MIL-DTL-
28840

B

Symbol	Material	Finish Description
NF	Aluminum	Cadmium O.D. over Electroless Nickel
ZN		Zinc Nickel
MT		Nickel-PTFE, 1000 Hour Grey™
Z1	316 Type Stainless Steel	Passivate
ZU		Black Cadmium Olive Drab over Nickel

Military Shell Size	Shell Size	Insert Arrangement Dash Number	A Thread Class 2A	B Thread Class 2A	C Flats	D Dia.	E Hex	F Thread Flat
A	11	A-1	.750-.1P-.2L-D.S.	.875-20 UNEF	1.264	1.358	1.062	.836
B	13	B-1	.875-.1P-.2L-D.S.	1.000-20 UNEF	1.389	1.498	1.188	.962
C	15	C-1	1.062-.1P-.2L-D.S.	1.187-18 UNEF	1.577	1.671	1.375	1.149
D	17	D-1	1.125-.1P-.2L-D.S.	1.250-18 UNEF	1.639	1.733	1.438	1.212
E	19	E-1	1.312-.1P-.2L-D.S.	1.437-18 UNEF	1.827	1.921	1.625	1.399
F	23	F-1	1.500-.1P-.2L-D.S.	1.625-18 UNF	2.014	2.108	1.812	1.587
G	25	G-1	1.625-.1P-.2L-D.S.	1.750-18 UNS	2.139	2.233	2.000	1.708
H	29	H-1	1.812-.1P-.2L-D.S.	1.937-16 UN	2.327	2.425	2.188	1.898
J	33	J-1	2.000-.1P-.2L-D.S.	2.125-16 UN	2.514	2.608	2.375	2.086