

**SPECIFICATIONS**

**Mechanical**

**Contact Retention Force:** 0.10kg min.  
**Durability :** 25 Cycles

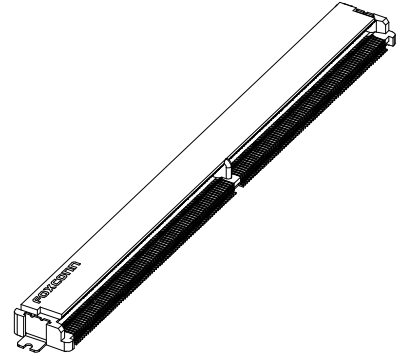
**Electrical**

**Voltage Rating:** 25V  
**Current Rating:** 0.5A  
**Contact Resistance:** 55mΩ max.  
**Dielectric Withstanding Voltage:** 200V AC/1 min.  
**Insulation Resistance:** 100MΩ

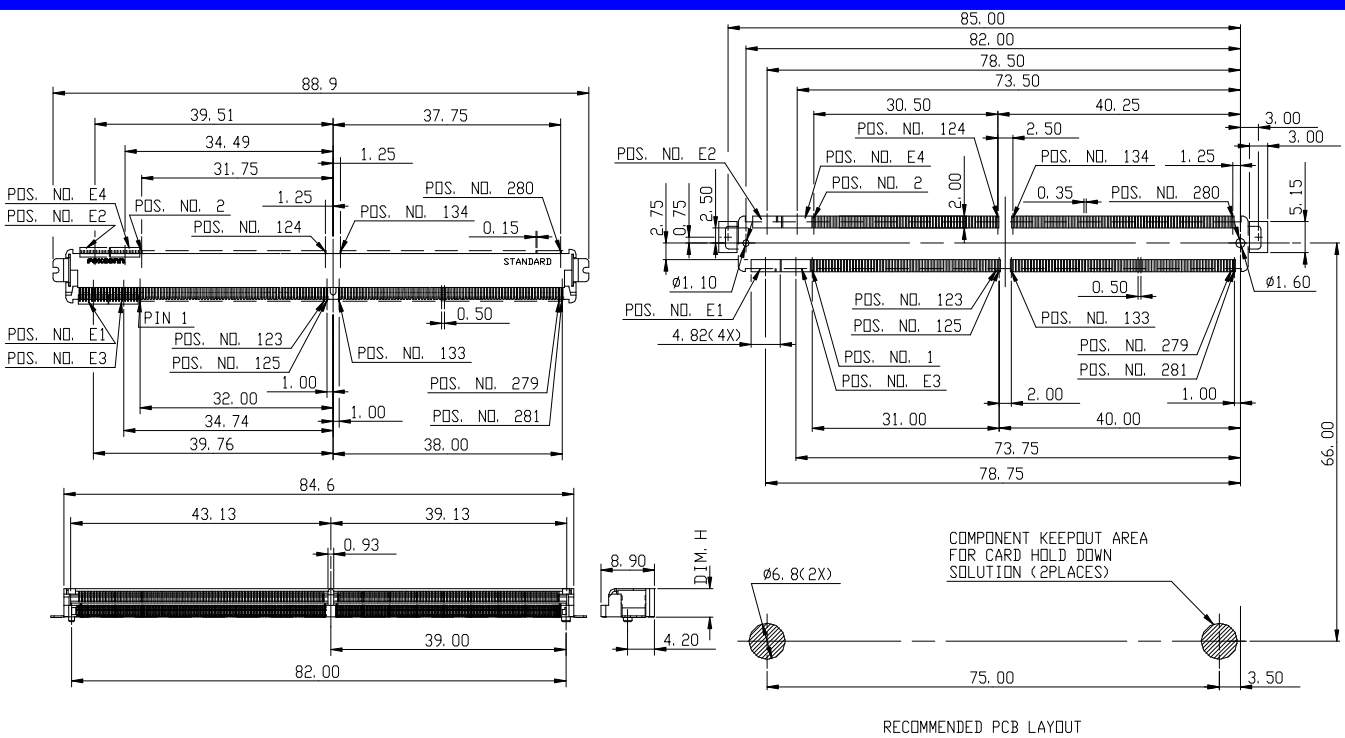
**Physical**

**Housing:** Thermoplastic, UL 94V-0 rated in Ivory Color  
**Contact:** Copper alloy  
**Plating:** See "ORDERING INFORMATION"  
**Metal Spring:** Copper alloy  
**Operating Temperature:** -55°C to +85°C

**AS Series**  
**4.3mm&5.5mm&**  
**7.8mm Height**  
**SMT Type**  
**0.50mm Pitch**  
**314 Pos.**



**DRAWING**



**ORDERING INFORMATION**

**PRODUCT NO.:** A S 0 B 8 2 \* - S \* \* B - \* H

Memory Module Socket \_\_\_\_\_ H=Halogen/Lead Free  
 Horizontal Type \_\_\_\_\_ Package Code  
 Single Row \_\_\_\_\_ 4=Soft Tray  
 No. of Pos. \_\_\_\_\_ 7=Carrier tape  
 B8=314Pos. \_\_\_\_\_ B=Black Color  
 SMT Type \_\_\_\_\_ 43=4.3mm Height  
 Contact Area Plating \_\_\_\_\_ 55=5.5mm Height  
 1=Gold Flash \_\_\_\_\_ 78=7.8mm Height  
 6=10u" Gold plating \_\_\_\_\_ S=Standard Type

ASOB82*-S43B-*H	4.3
ASOB82*-S55B-*H	5.5
ASOB82*-S78B-*H	7.8
P/N	DIM. H