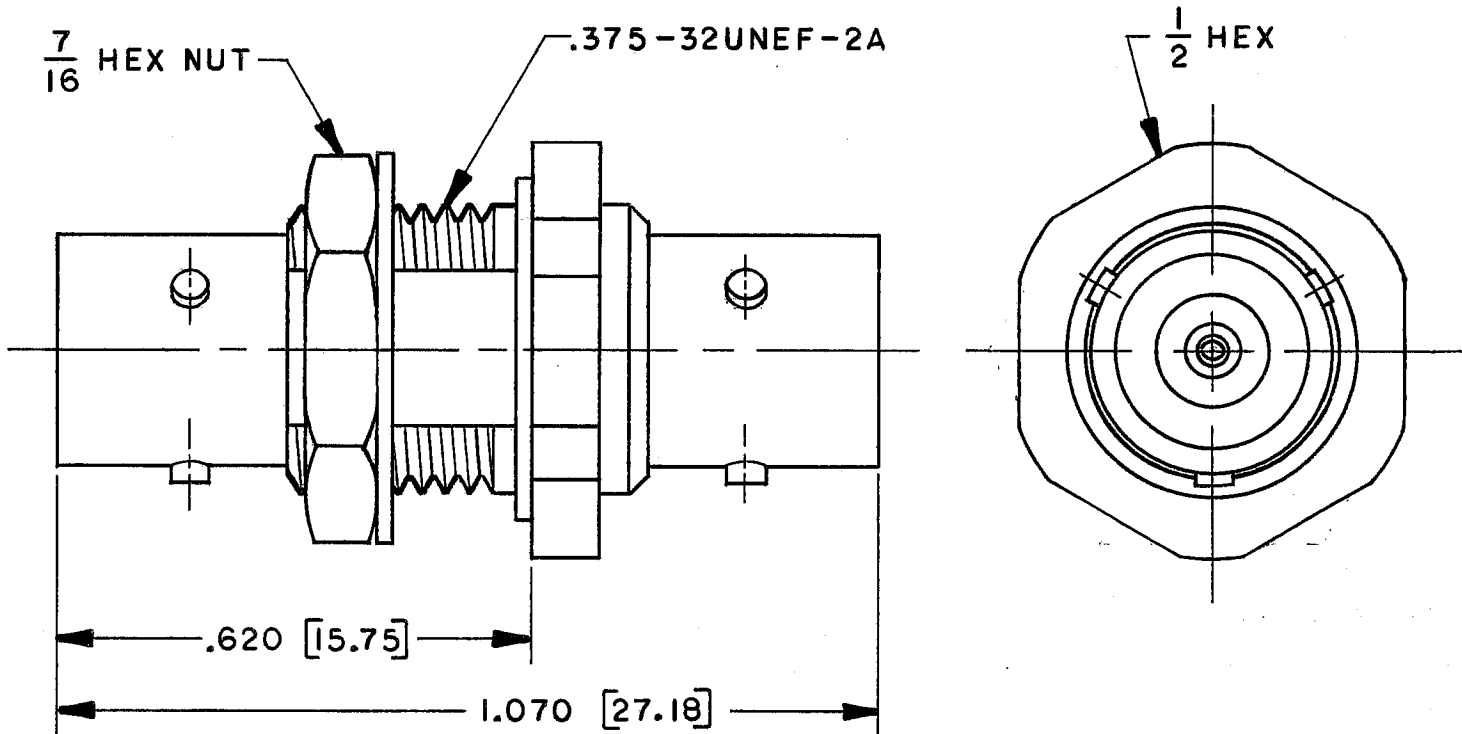


RECOMMENDED
PANEL CUTOUT
SCALE: 2/1

REVISIONS			3000-0038		SH 1
REV	EO	DESCRIPTION	DWN	APPROVED	DATE



4. MAX PANEL THK .190 [4.83]

3. FEMALE SUBMINIATURE CONCENTRIC
TWINAX/TRIAX BULKHEAD FEED THRU
JACK (TPS STYLE)

2. FINISH: TFS-1A (NICKEL)

1. ALL DIM ARE REF
IN INCHES AND [MM]

NEXT ASSY

QTY	DESCRIPTION		PART NUMBER		ITEM	
TOL UNLESS SPECIFIED .XX ± .XXX ± .XXXX ± ANGLES ±			TROMPETER ELECTRONICS, INC.		BJ158	
DWN	JFD	8-16-78				MATERIAL
CHK	<i>[Signature]</i>	8-18-78	—	14949	3000-0038	
ENGR	FBB	8-23-78				
APPR	<i>[Signature]</i>	8-23-78	SCALE 4/1	DATE 8-23-78	SHEET 1 OF 2	