

# RED INDICATES ORIGINAL

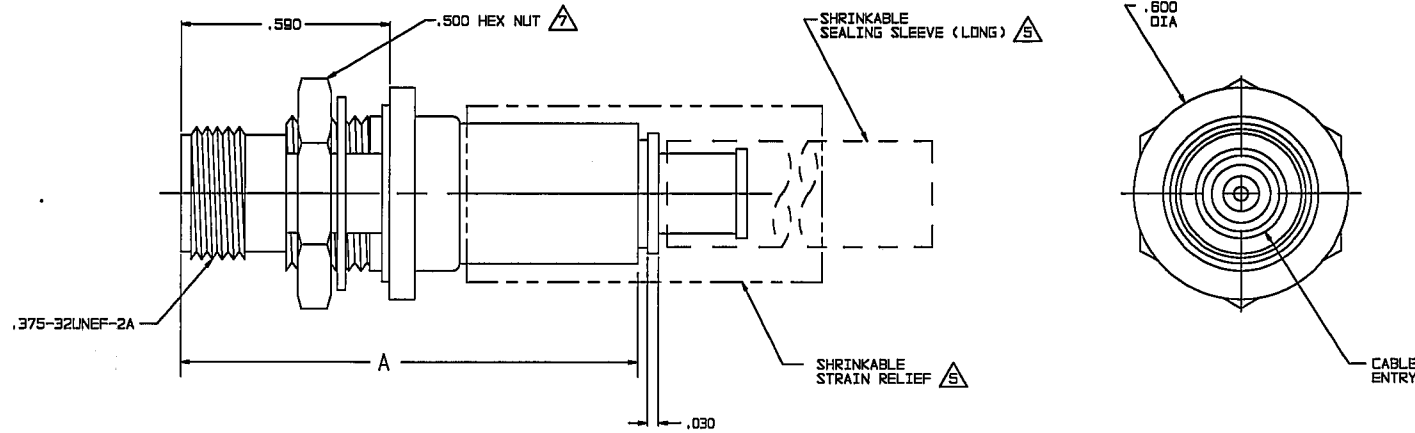
DASH NO	CABLES ACCOMMODATED	A DIM	B HEX	ASSEMBLE PER
-201	M17/178-00002			
-202	TWC-78-1			
-203	TWC-124-1A	1.164	.255	TAI-143
-204	10B02, RAYCHEM			
-205	TWAC-78-1F2			
-206	7826D0130, RAYCHEM			
-207	B3B10 BELDEN	1.289	.344	TAI-167
-208	202-3927 MICRODOT	1.164	.255	TAI-143
-209	202-3942 MICRODOT			
-210	B4S1 BELDEN			TAI-167
-211	202-3934 MICRODOT			
-212	2524E0114, RAYCHEM			
-213	TWC-78-2	1.289	.344	TAI-144
-214	TWC-124-2			
-215	BL-982 TIMES			
-216	BL-1242 TIMES			
-217	GCB75TM24H, GRUMMAN			
-218	EPD 2218BB, RAYCHEM			
-219	2526D1114, RAYCHEM			
-220	GCB75RR1, GRUMMAN	1.164	.255	TAI-143
-221	10B14, RAYCHEM			
-222	10B13, RAYCHEM			
-223	HMS2-1149, HUGHES			
-224	TWCP-124-3	1.289	.344	TAI-144
-225	PSB65PL, PRIME STOCK			

DATA CONTAINED IN THIS DOCUMENT IS PROPRIETARY TO TROMPETER ELECTRONICS, INC. AND SHALL NOT BE DISCLOSED, COPIED OR USED FOR REPRODUCTION OR MANUFACTURE WITHOUT EXPRESS WRITTEN PERMISSION.

REVISIONS			3-0234	SH 1	
REV	ED	DESCRIPTION	DWN	APPROVED	DATE
L	(12390)	ADDED -224 & -225; SEE ECO	DBN	AM	5/18/88

DASH NO	CABLES ACCOMMODATED	A DIM	B HEX	ASSEMBLE PER
-301	GCB75GC1, GRUMMAN			
-302	GCB75GB1, GRUMMAN S022E5111, RAYCHEM	1.164	.255	TAI-157
-303	7528A5314, RAYCHEM			
-304				
-305	M17/177-00001/295-3804 MICRODOT			
-306	TRC-50-2 M17/134-00002	1.289	.344	TAI-173
-307	TRC-75-1			TAI-198
-308	TRC-75-2			TAI-173
-309	TRC-50-1	1.164	.255	TAI-157

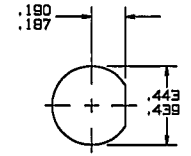
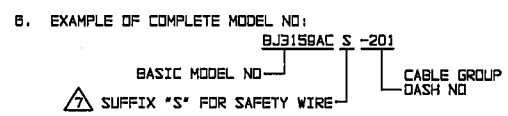
INCH	MM
.005	0.13
.030	0.76
.125	3.18
.187	4.75
.190	4.83
.255	6.48
.344	8.74
.439	11.15
.443	11.25
.500	12.70
.590	14.99
.600	15.24
1.00	25.40
1.164	29.57
1.25	31.25
1.289	32.74
1.75	44.45



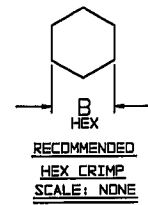
-207 SHOWN

- 1 SHRINKABLE STRAIN RELIEF AND/OR SHRINKABLE SEALING SLEEVE SUPPLIED LOOSE AS FOLLOWS:
- CABLE GROUPS -207, -210 & -307:  
1 SHRINKABLE STRAIN RELIEF (1.00 LONG)  
1 SHRINKABLE SEALING SLEEVE (1.25 LONG)
  - CABLE GROUPS -201 THROUGH -206, -208, -209, -217 THROUGH -223, -301, -302, -303 & -309:  
1 SHRINKABLE SEALING SLEEVE (1.25 LONG)
  - CABLE GROUPS -211 THROUGH -216, -305, -306 & -308:  
1 SHRINKABLE STRAIN RELIEF (1.75 LONG)
4. MAX PANEL THK .125
3. THREADED SUBMINIATURE CONCENTRIC TWINAX (4 PIECE ASSY) AND TRIAX (6 PIECE ASSY) FULL CRIMP NONINSULATED BULKHEAD MOUNT RECEPTACLE
2. FINISH: TFS-1A (NICKEL)
1. ALL DIMENSIONS ARE IN INCHES

IF SAFETY WIRE TYPE REQUIRED ADD SUFFIX "S" TO MODEL NO (SAFETY WIRE NUT SIZE WILL BE .564)



RECOMMENDED  
PANEL CUTOUT  
SCALE: NONE



QTY	DESCRIPTION	PART NUMBER	ITEM
TOL UNLESS SPECIFIED .XX ±.03 .XXX ±.005 .XXXX ±.0002 UNLESS:	<b>TROMPETER ELECTRONICS, INC.</b>	BJ3159AC/ BJ3159ACS	
DWN DBN 4/11/88	MATERIAL	CODE IDENT	DRAWING NO.
CHK AM 4-17-88			3-0234
ENGR:			REV
APPR AM 5/18/88	SCALE 4/1	DATE 5-31-85	SHEET 1 OF 2

NEXT ASSY