



PUSHBUTTON SWITCHES

Sub-Miniature Pushbutton Switches

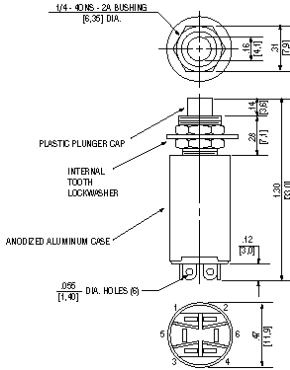
SERIES TYPE

APPROXIMATE DIMENSIONS

SELECTION TABLES



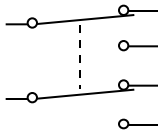
B7070
Two Pole



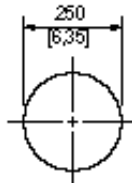
Solder Terminals

Catalog Number	Military Part Number	Case Color	Button Color
B7070	M8805/95-001	Clear	Black
B7070R	M8805/95-002	Clear	Red
B7070B	M8805/95-003	Black	Black
B7070BR	M8805/95-004	Black	Red

SCHEMATIC DIAGRAMS—B7070



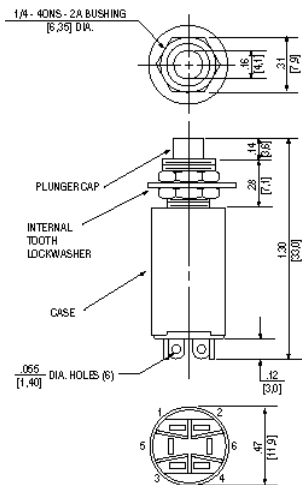
PANEL CUT-OUT



PANEL MTG HOLE DIMENSIONS



BR7070
Two Pole *

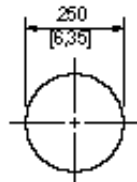
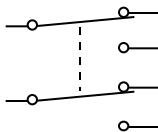


Solder Terminals

Catalog Number	Case Color	Button Color
BR7070	Clear	Black
BR7070R	Clear	Red
BR7070B	Black	Black
BR7070BR	Black	Red

* EMI/RFI Shielded

SCHEMATIC DIAGRAMS—BR7070



PANEL MTG HOLE DIMENSIONS

STANDARD
0.00 = inches
[0.0] = mm

Dimensions for reference only.