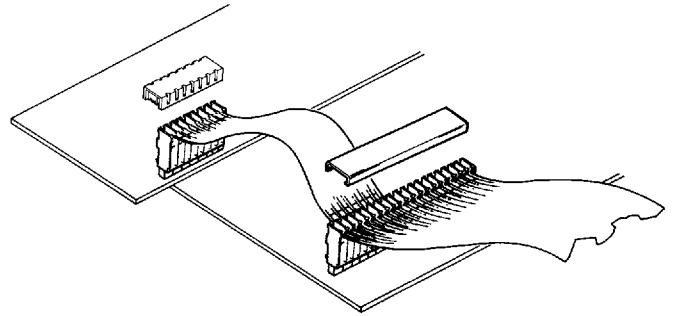
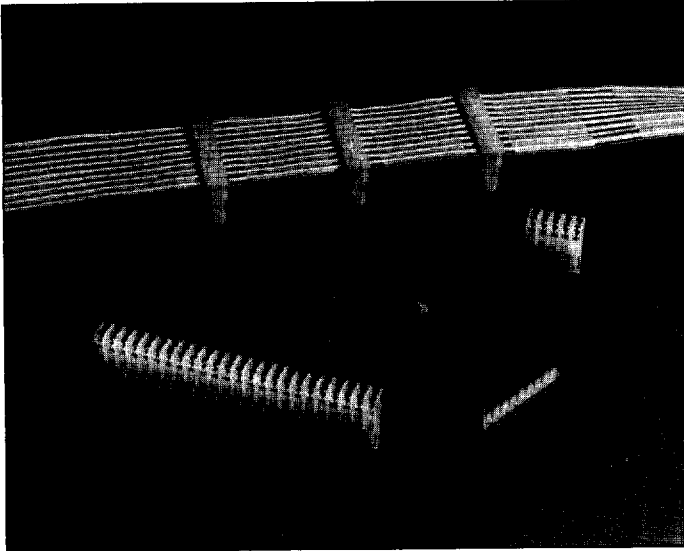


A-601-05-11 D

.156" \varnothing End and Through Connectors



A

PANDUIT'S .156" centerline MAS-CON connectors allow a reliable and economical method to bring power to a printed circuit board using discrete wire or pre-notched flat cable. Connectors offered in Circuit End (CE) and Circuit Through (CT) styles have color coded ribs for AWG size identification. Green solid circles below ribs are also used to identify the CT connector which is used for daisychain applications. Optimum connector performance is provided by the IDC contacts piercing the insulation of each wire on two sides to make four (4) gas-tight connections. Contacts are copper alloy with tin over nickel plating.

Performance Data

MATERIALS

- Housing:** 6/6 Nylon, U.L. 94 V-2 Rated
- Contact:** Copper Alloy
- Plating:** 200 μ " Tin Over Nickel
30 μ " Gold Over Nickel (Contact Factory)
15 μ " Gold Over Nickel (Contact Factory)

MECHANICAL

- Mating Force:** 1.3 lbs. Max. per contact
- Unmating Force:** 1.5 lbs. Min. per contact
- Wire Range:** .040"/.090" Outside Diameter
- Recommended Wire:** PVC; U.L. Styles 1007, 1061, 1095, 1429, 1430, 2651 (Flat Cable) and MIL-W-16878.
- Teflon: U.L. Style 1213; Type G, MIL-W-16878E148; Type ET, MIL-W-16878E16; Type KT, MIL-W-16878; Type K, MIL-W-16878

TEMPERATURE

Range: -67°F to 185°F (-55°C to 85°C)

AGENCY APPROVALS

U.L. Recognized — File No. E73711
C.S.A. Certified — File No. 46657

ELECTRICAL

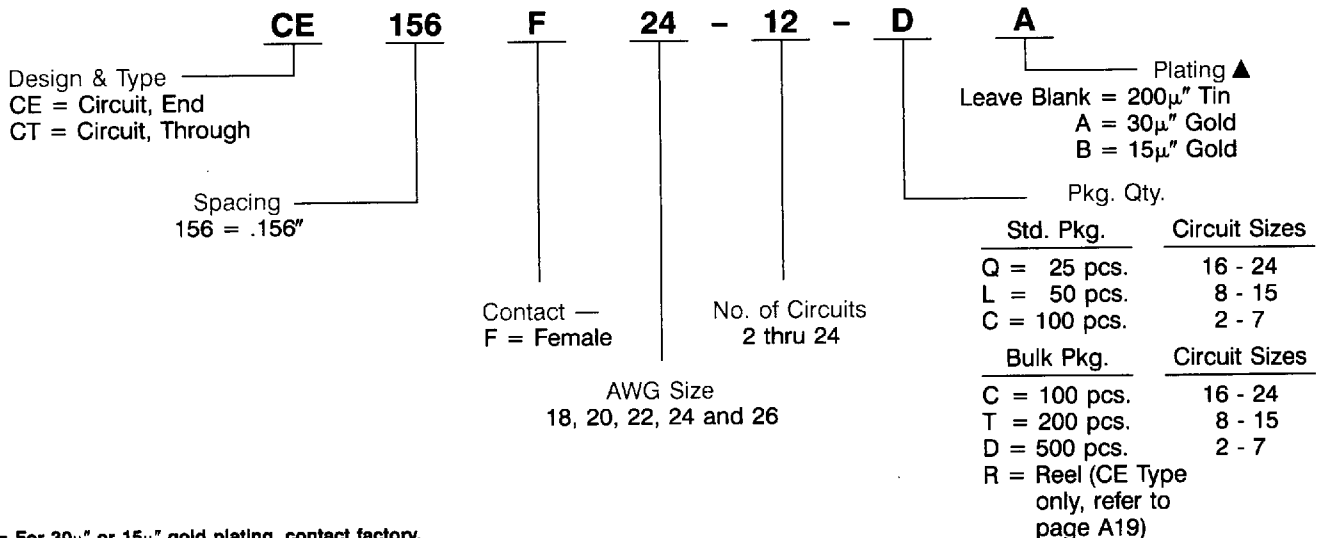
- Current Rating:** 18 AWG — 8.0 Amps
20 AWG — 7.5 Amps
22 AWG — 6.5 Amps
24 AWG — 5.0 Amps
26 AWG — 4.0 Amps

Dielectric Withstanding Voltage: 3 KVAC Min.*

Insulation Resistance: 5,000 Megohms Min.*

*Between adjacent contacts

Part Number System



▲ = For 30 μ " or 15 μ " gold plating, contact factory.

A20 MAS-CON® IDC Connectors

.156" Q Through Connectors 200μ" (5.08μm) Tin Plating

Dimension Drawing

A

Top view shows 8 positions (1-8) with a .156 (TYP) pitch and a total length 'A' of 3.96 inches. Side view shows a height of .77 inches (19.6 mm) and a width of .35 inches (9.0 mm). Cross-sectional view shows a .19 inch (4.8 mm) depth and a .156 inch (3.96 mm) pitch.

Dimensions

No. of Ckts.	A	No. of Ckts.	A
2	.312 (7.92)	14	2.184 (55.47)
3	.468 (11.89)	15	2.340 (59.44)
4	.624 (15.85)	16	2.496 (63.40)
5	.780 (19.81)	17	2.652 (67.36)
6	.936 (23.77)	18	2.808 (71.32)
7	1.092 (27.74)	19	2.964 (75.29)
8	1.248 (31.70)	20	3.120 (79.25)
9	1.404 (35.66)	21	3.276 (83.21)
10	1.560 (39.62)	22	3.432 (87.17)
11	1.716 (43.58)	23	3.588 (91.14)
12	1.872 (47.55)	24	3.744 (95.10)
13	2.028 (51.51)		

MATES TO HEADER PART No's.		APPLICABLE SNAP-ON COVERS
MFAS156-XX	MLSS156-XX	TC156F-XX
MFSR156-XX	MPAS156-XX	SCC156F-XX
MFSS156-XX	MPSR156-XX	
MLAS156-XX	MPSS156-XX	
MLSR156-XX		

All dimensions shown in inches and (millimeters)

Ordering Information

No. of Ckts.	WIRE SIZE/AWG COLOR				
	26 AWG/Blue	24 AWG/Black	22 AWG/Red	20 AWG/Brown	18 AWG/Orange
2	CT156F26- 2-□	CT156F24- 2-□	CT156F22- 2-□	CT156F20- 2-□	CT156F18- 2-□
3	CT156F26- 3-□	CT156F24- 3-□	CT156F22- 3-□	CT156F20- 3-□	CT156F18- 3-□
4	CT156F26- 4-□	CT156F24- 4-□	CT156F22- 4-□	CT156F20- 4-□	CT156F18- 4-□
5	CT156F26- 5-□	CT156F24- 5-□	CT156F22- 5-□	CT156F20- 5-□	CT156F18- 5-□
6	CT156F26- 6-□	CT156F24- 6-□	CT156F22- 6-□	CT156F20- 6-□	CT156F18- 6-□
7	CT156F26- 7-□	CT156F24- 7-□	CT156F22- 7-□	CT156F20- 7-□	CT156F18- 7-□
8	CT156F26- 8-□	CT156F24- 8-□	CT156F22- 8-□	CT156F20- 8-□	CT156F18- 8-□
9	CT156F26- 9-□	CT156F24- 9-□	CT156F22- 9-□	CT156F20- 9-□	CT156F18- 9-□
10	CT156F26-10-□	CT156F24-10-□	CT156F22-10-□	CT156F20-10-□	CT156F18-10-□
11	CT156F26-11-□	CT156F24-11-□	CT156F22-11-□	CT156F20-11-□	CT156F18-11-□
12	CT156F26-12-□	CT156F24-12-□	CT156F22-12-□	CT156F20-12-□	CT156F18-12-□
13	CT156F26-13-□	CT156F24-13-□	CT156F22-13-□	CT156F20-13-□	CT156F18-13-□
14	CT156F26-14-□	CT156F24-14-□	CT156F22-14-□	CT156F20-14-□	CT156F18-14-□
15	CT156F26-15-□	CT156F24-15-□	CT156F22-15-□	CT156F20-15-□	CT156F18-15-□
16	CT156F26-16-□	CT156F24-16-□	CT156F22-16-□	CT156F20-16-□	CT156F18-16-□
17	CT156F26-17-□	CT156F24-17-□	CT156F22-17-□	CT156F20-17-□	CT156F18-17-□
18	CT156F26-18-□	CT156F24-18-□	CT156F22-18-□	CT156F20-18-□	CT156F18-18-□
19	CT156F26-19-□	CT156F24-19-□	CT156F22-19-□	CT156F20-19-□	CT156F18-19-□
20	CT156F26-20-□	CT156F24-20-□	CT156F22-20-□	CT156F20-20-□	CT156F18-20-□
21	CT156F26-21-□	CT156F24-21-□	CT156F22-21-□	CT156F20-21-□	CT156F18-21-□
22	CT156F26-22-□	CT156F24-22-□	CT156F22-22-□	CT156F20-22-□	CT156F18-22-□
23	CT156F26-23-□	CT156F24-23-□	CT156F22-23-□	CT156F20-23-□	CT156F18-23-□
24	CT156F26-24-□	CT156F24-24-□	CT156F22-24-□	CT156F20-24-□	CT156F18-24-□

NOTES:

- Denotes packaging quantity offered. Please refer to "Part Number System" on Page A17.
- Contact factory for gold plating.