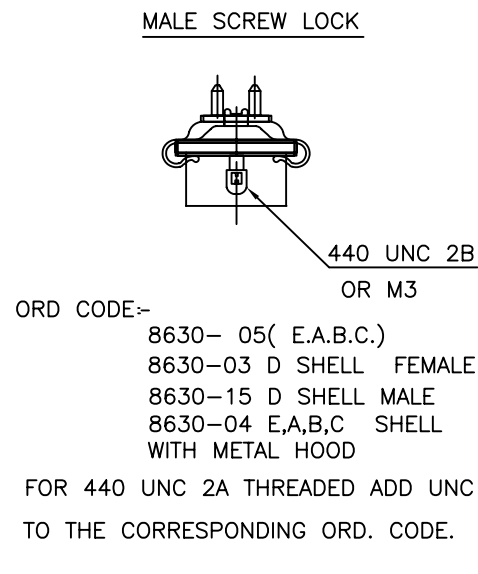
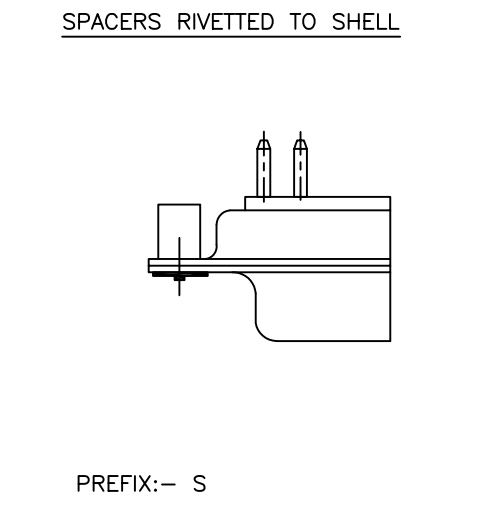
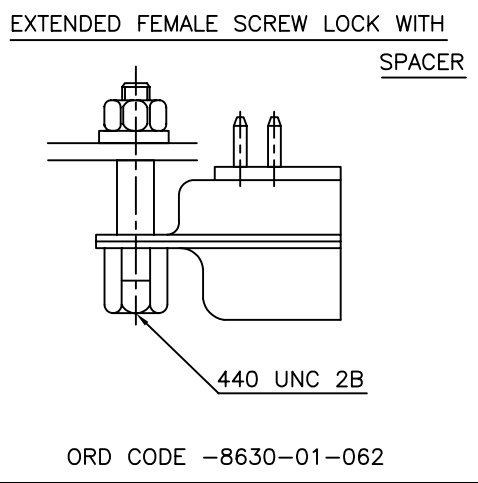
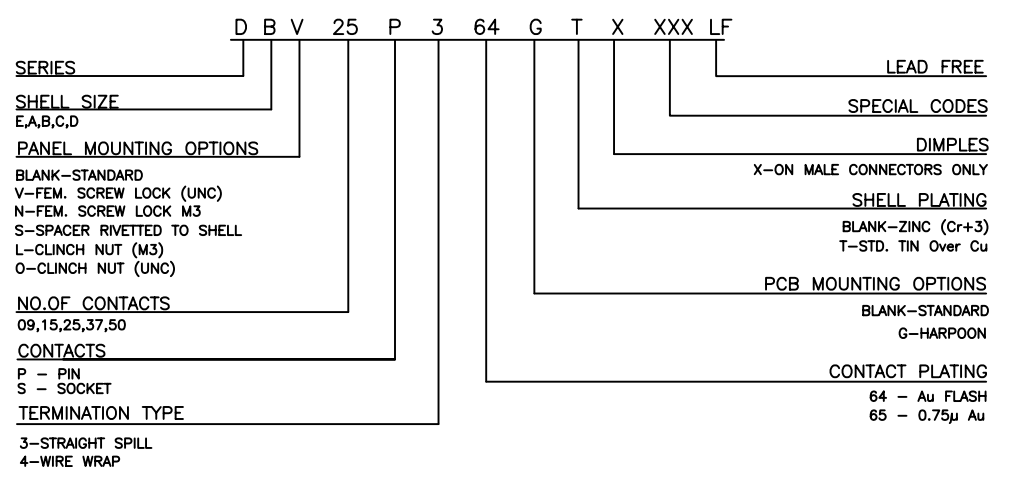


ORDERING INFORMATION

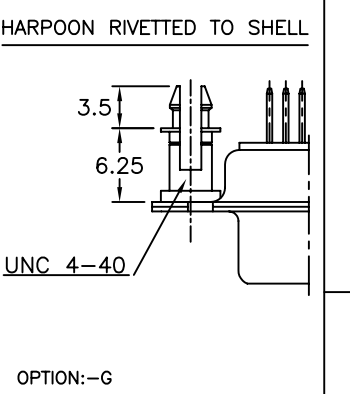
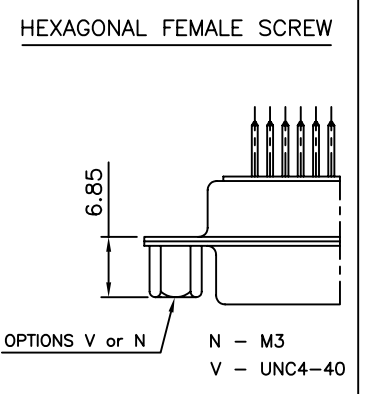
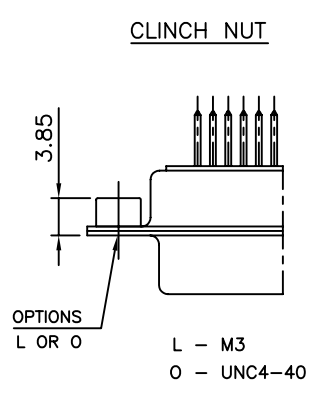


50	P	66.65	52.68	61.11	11.08	14.99	11.09	5.85	55.07	13.31	1.50	1.0
	S	66.65	52.30	61.11	10.62	14.99	11.21	6.05	55.07	13.31	1.10	0.8
37	P	68.94	55.30	63.50	8.23	12.17	11.09	5.85	57.45	10.46	1.50	1.0
	S	68.94	54.71	63.50	7.77	12.17	11.21	6.05	57.45	10.46	1.10	0.8
25	P	52.65	38.84	47.04	8.23	12.17	11.07	5.85	41.02	10.46	1.10	0.8
	S	52.65	38.25	47.04	7.77	12.17	11.21	6.05	41.02	10.46	1.10	0.8
15	P	38.76	25.12	33.32	8.23	12.17	10.99	5.85	27.25	10.46	1.10	0.8
	S	38.76	24.54	33.32	7.77	12.17	11.21	6.05	27.25	10.46	1.10	0.8
09	P	30.43	16.79	24.99	8.23	12.17	10.99	5.85	19.02	10.46	1.10	0.8
	S	30.43	16.21	24.99	7.77	12.17	11.21	6.05	19.02	10.46	1.10	0.8
SHELL SIZE		A ^{+0.76}	B ^{+0.25}	C ^{+0.12}	D ^{+0.25}	E ^{+0.76}	F ^{MAX}	G ^{+0.15}	H ^{+0.51}	J ^{+0.51}	K ^{±0.2}	L ^{+0.22}

NOTE: INSIDE DIMENSION OF MALE AND OUTSIDE DIMENSION OF THE FEMALE CONNETOR

TECHNICAL SPECIFICATIONS

- SHELLS : TIN/ZINC PLATED STEEL
- CONTACTS DIA ON ACTIVE AREA : Ø1 MM.
- CONTACTS MATERIAL : COPPER ALLOY
- CONTACT PLATING : GOLD OVER NICKEL (ACTIVE ZONE)
TIN OVER NICKEL (TERMINATION ZONE)
- FOR LEAD FREE PLATING : 2µ MIN. TIN TOP OVER
1.27µ MIN. NICKEL UNDER PLATE (ON TERMINATION ZONE)
- INSULATOR MATERIAL : SELF EXTINGUISHING THERMOPLASTIC-
TO UL CLASS 94 V0
THE HOUSING WILL WITHSTAND EXPOSURE TO 260-265°C
IF WE USE PROTECTIVE ADHESIVE (type Kapton or Teflon)
OR PROTECTIVE METALLIC DEVICE
- OPERATING TEMPERATURE : -55°C +125°C
- OPERATING CURRENT : 5 A PER CONTACT
- CONTACT RESISTANCE : ≤10m Ω
- INSULATION RESISTANCE : >5000 M Ω
- MAXIMUM VOLTAGE : 1000 V.r.m.s
- MECHANICAL ENDURANCE : 500 MATINGS FOR ≥0.75µ GOLD PLATING
200 MATINGS FOR <0.40µ GOLD PLATING
- DAMP HEAT : 56 DAYS FOR ≥0.75µ GOLD PLATING
21 DAYS FOR <0.40µ GOLD PLATING



mat'l. code SEE NOTE 4		surface ISO 1302 ✓ ISO 406 ISO 1101		tolerance tolerances unless otherwise specified		projection MM		product family			
ltr	ecn no	dr	date	angles		linear		title			
D	106-0074	GVJ	2006/06/08					D- SUB S/S W/W CONNECTOR (WITH ASSEMBLY OPTIONS)			
E	109-0179	AMR	2009/09/04					scale -			
F	109-0195	AMR	2009/09/04					dwg no sheet 1 of 1 size 5			
				dr Mini K Vandanath 1999/03/20				C-DSUB-0065 A3			
				enr George V Joseph 1999/03/20				type Product Customer Drawing			
				chr Abhilash M R 2009/09/04							
				appd Sudhir Varma 2009/09/04							
sheet index	revision	F									
	sheet	1									

"This LF product meets European Union Directives and other country regulations as described in GS-22-008"

The housing will withstand exposure to 260°C peak temperature for 3.5 seconds in a wave solder application with a 1.6mm minimum thick circuit board.

Packaging as per GS-14-920