

REFERENCE SPECIFICATIONS

-NFC 93425 (in compliance with HE 507)

PHYSICAL CHARACTERISTICS

- INSULATOR MATERIAL: THERMOPLASTIC UL94V0
- CONTACT MATERIAL: BRASS
- ACCESSORIES: BRASS
- SHELLS: STEEL

ELECTRICAL CHARACTERISTICS

- NOMINAL CURRENT: 30A or 40A
- CONTACT RESISTANCE: 7.3 m ohms
- CONTACT/CONTACT : 1000 V
- CONTACT/GROUND : 1200 V
- INSULATION RESISTANCE: 5000 MOhms

ENVIRONMENTAL CHARACTERISTICS

- CLIMATIC CATEGORY: 55/125/21
- TEMPERATURE RANGE -55°C TO +125°C
- DAMP HEAT STEADY STATE 21 DAYS
- SALT SPRAY 24 HOURS

MECHANICAL CHARACTERISTICS

- RETENTION AGAINST TORQUE: - Threaded insert: 0.7 N.m minimum
- Female screw : 0.5 N.m minimum

NOTE RoHS INFORMATION

- The "LF" products meet european union Directives and other country regulations as described in GS-22-008.
- The housing will withstand exposure to 260°C peak temperature for 3.5 seconds in a wave solder application with a 1.6mm minimum thick circuit board. See application notes/procedures if they are available.
- Termination plating spec:
  - Ni 1.27µmi+Sn 2.5 to 7.5µ(pure bright)
- Active area plating spec:
  - Ni + Gold
- Shell plating :2 to 4µm Cu + 3 to 10µmm Sn(pure bright)
- Accessories: Sn pure bright
- Packaging spec: See GS-14-920

# DBL5W5S300G30LF

Series

Shell size: **E A B C**  
see sheet 2

Front accessory definition  
see sheet 2

- L** : threaded insert M3
- O** : threaded insert UNC 4-40
- V** : female screw UNC 4-40

Layout of contacts (see sheet 3)

Contacts

- S** : Socket

Termination type

- 3** Straight version

Plating

- 00** 200 matings/unmatings
- 43** 500 matings/unmatings

PCB accessories definition  
see sheet 2

- H** : harpoons for PCB 2.40mm
- G** : harpoons for PCB 1.60mm

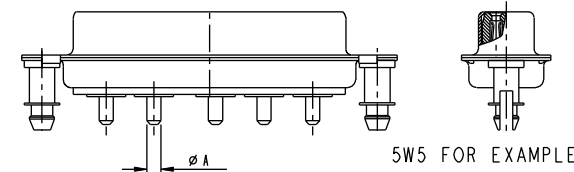
Power contacts

- 00** : Not fitted with power contact (signal contacts always fitted)
- 30** : Fitted with power contacts 30 Amp.
- 40** : Fitted with power contacts 40 Amp.

See note RoHS

TABLE 1:PCB HOLE DIAMETERS

POWER CONTACTS			ACCESSORIES
30 A	2.00	ø2.40	ø3.10
40 A	2.80	3.10	
Max current power	øA +0.1 0	PCB HOLE +/-0.1	PCB HOLE +/-0.1



www.fciconnect.com		surface ISO 1302	tolerance std ISO 406 ISO 1101	projection	mm
		TOLERANCES UNLESS OTHERWISE SPECIFIED		size A2	Scale 2:1
Dr M PESSON	2005-10-11	ANGULAR	0.X ±0.3		
Eng P LEGARE	2005-10-11	LINEAR	0.XX ±0.1		
Chr		0° ±2°	0.XXX ±0.05	ECN F09-0092	
Appr		Product family		Spec ref	

rev	ecn no	dr	date	Dr M PESSON 2005-10-11		surface ISO 1302		tolerance std ISO 406 ISO 1101	projection	mm
A	LS05-0113	MPE	2005-10-11	Eng	P LEGARE 2005-10-11	ANGULAR	0.X ±0.3	0.XX ±0.1	size A2	Scale 2:1
B	LS06-0208	LGO	2006-12-13	Chr		LINEAR	0.XXX ±0.05		ECN F09-0092	
C	LS07-0165	MPE	2007/06/14	Appr		Product family			Spec ref	
D	LS07-0213	MPE	2007/11/05	FCI		SUB FEMALE DW		cat no C01-8639-2310	Rev. F	
E	LS09-0027	MPE	2009/01/21	full power straight solder				CUSTOMER	sheet 1 of 4	
F	F09-0092	LSA	2009/09/16							



FRONT ACCESSORY	<b>L</b> insert M3 <b>O</b> insert UNC 4.40	<b>V</b> insert UNC 4.40	<b>L</b> insert M3 <b>O</b> insert UNC 4.40	<b>V</b> insert UNC 4.40
PCB ACCESSORIES	<b>G</b> Harpoon for PCB 1.60mm	<b>G</b> Harpoon for PCB 1.60mm	<b>H</b> Harpoon for PCB 2.40mm	<b>H</b> Harpoon for PCB 2.40mm

PART NUMBER	AMPS	MATINGS/ UNMATINGS	FRONT ACCESSORY	PCB ACCESSORIES
D*LxWxS300G30LF	30	200	insert M3	harpoon PCB 1.60mm
D*OxWxS300G30LF	30	200	insert UNC 4.40	harpoon PCB 1.60mm
D*VxWxS300G30LF	30	200	female screw UNC 4.40	harpoon PCB 1.60mm
D*LxWxS300H30LF	30	200	insert M3	harpoon PCB 2.40mm
D*OxWxS300H30LF	30	200	insert UNC 4.40	harpoon PCB 2.40mm
D*VxWxS300H30LF	30	200	female screw UNC 4.40	harpoon PCB 2.40mm
D*LxWxS300G40LF	40	200	insert M3	harpoon PCB 1.60mm
D*OxWxS300G40LF	40	200	insert UNC 4.40	harpoon PCB 1.60mm
D*VxWxS300G40LF	40	200	female screw UNC 4.40	harpoon PCB 1.60mm
D*LxWxS300H40LF	40	200	insert M3	harpoon PCB 2.40mm
D*OxWxS300H40LF	40	200	insert UNC 4.40	harpoon PCB 2.40mm
D*VxWxS300H40LF	40	200	female screw UNC 4.40	harpoon PCB 2.40mm

shell size LAYOUTS

\*  
E 2V2  
A 3V3  
A 3W3  
B 5W5  
C 8W8

PART NUMBER	AMPS	MATINGS/ UNMATINGS	FRONT ACCESSORY	PCB ACCESSORIES
D*LxWxS343G30LF	30	500	insert M3	harpoon PCB 1.60mm
D*OxWxS343G30LF	30	500	insert UNC 4.40	harpoon PCB 1.60mm
D*VxWxS343G30LF	30	500	female screw UNC 4.40	harpoon PCB 1.60mm
D*LxWxS343H30LF	30	500	insert M3	harpoon PCB 2.40mm
D*OxWxS343H30LF	30	500	insert UNC 4.40	harpoon PCB 2.40mm
D*VxWxS343H30LF	30	500	female screw UNC 4.40	harpoon PCB 2.40mm
D*LxWxS343G40LF	40	500	insert M3	harpoon PCB 1.60mm
D*OxWxS343G40LF	40	500	insert UNC 4.40	harpoon PCB 1.60mm
D*VxWxS343G40LF	40	500	female screw UNC 4.40	harpoon PCB 1.60mm
D*LxWxS343H40LF	40	500	insert M3	harpoon PCB 2.40mm
D*OxWxS343H40LF	40	500	insert UNC 4.40	harpoon PCB 2.40mm
D*VxWxS343H40LF	40	500	female screw UNC 4.40	harpoon PCB 2.40mm

www.fciconnect.com		surface ISO 1302	tolerance std ISO 406 ISO 1101	projection mm
TOLERANCES UNLESS OTHERWISE SPECIFIED				
Dr	M PESSON	2005-10-11	ANGULAR	size A2
Eng	P LEGARE	2005-10-11	LINEAR	Scale 2:1
Chr			0° ±2°	ECN F09-0092
Appr			Product family	Spec ref

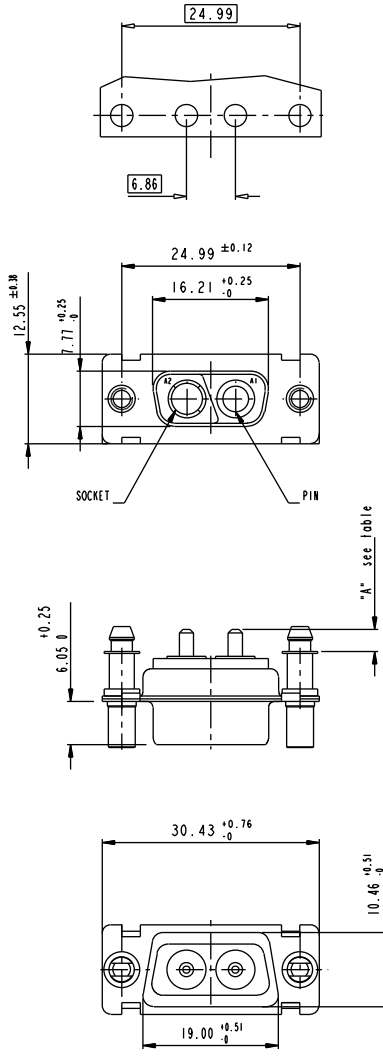
SCALE: 4



FCi SUB FEMALE DW  
full power straight solder  
cat no C01-8639-2310  
Rev. F

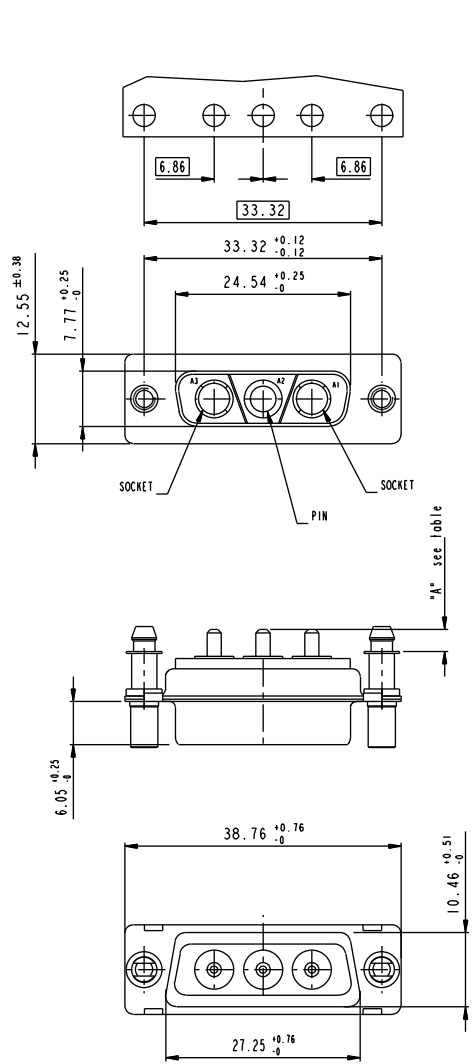
2V2

LAYOUT AND CONNECTOR DIMENSIONS  
For PCB hole diameters see table 1 sheet 1



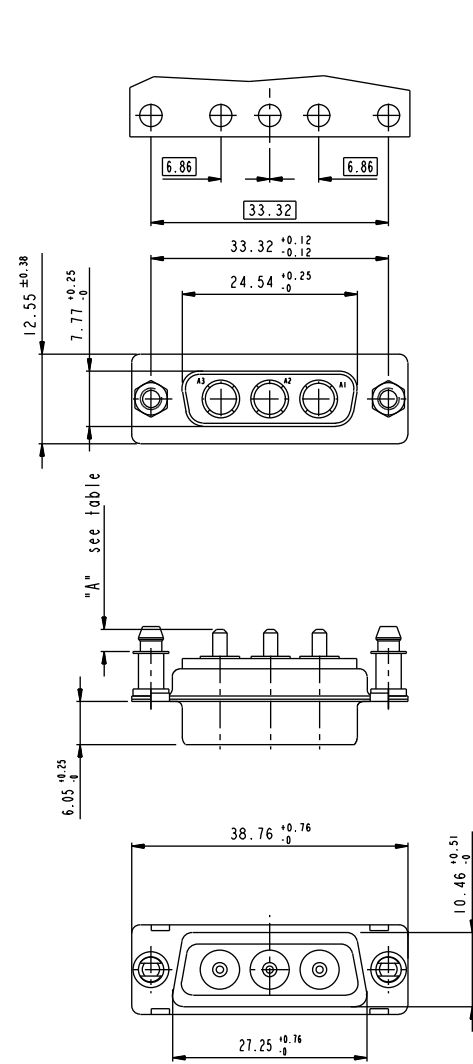
3V3

LAYOUT AND CONNECTOR DIMENSIONS  
For PCB hole diameters see table 1 sheet 1

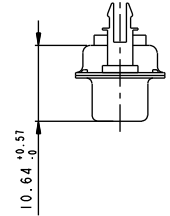


3W3

LAYOUT AND CONNECTOR DIMENSIONS  
For PCB hole diameters see table 1 sheet 1



SIDE VIEW FOR LAYOUTS: E A B C



Cote "A"

30A	3.1 ± 0.25
40A	3.6 ± 0.25

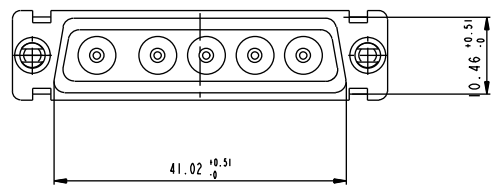
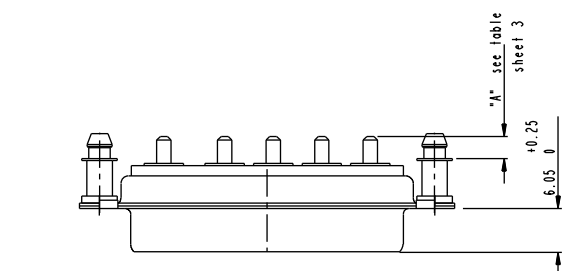
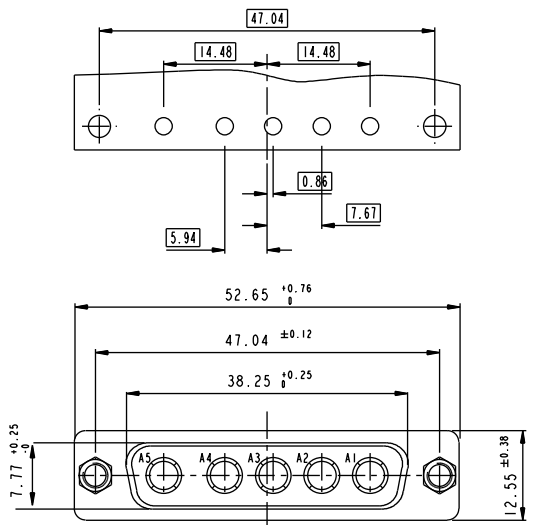
Copyright FCI

www.fciconnect.com		surface ISO 1302	tolerance std ISO 406 ISO 1101	projection	mm
TOLERANCES UNLESS OTHERWISE SPECIFIED		ANGULAR		size A2	Scale 2:1
Dr M PESSON	2005-10-11	0.X	±0.3		
Eng P LEGARE	2005-10-11	LINEAR	0.XX		
Chr		0.XXX	±0.05	ECN	F09-0092
Appr		Product family		Spec ref	

FCI	TITLE SUB FEMALE DW	part no C01-8639-2310	Rev. F
	full power straight solder		
	customer	sheet 3 of 4	

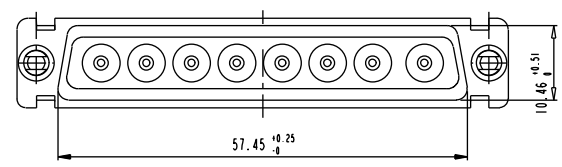
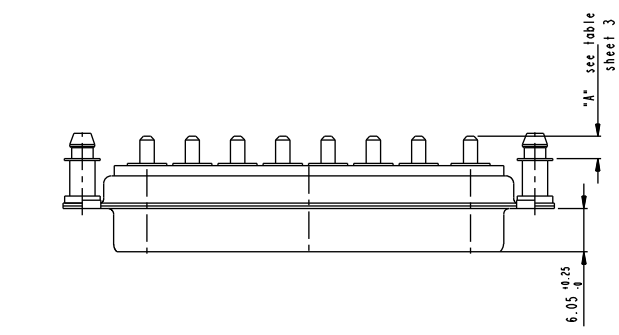
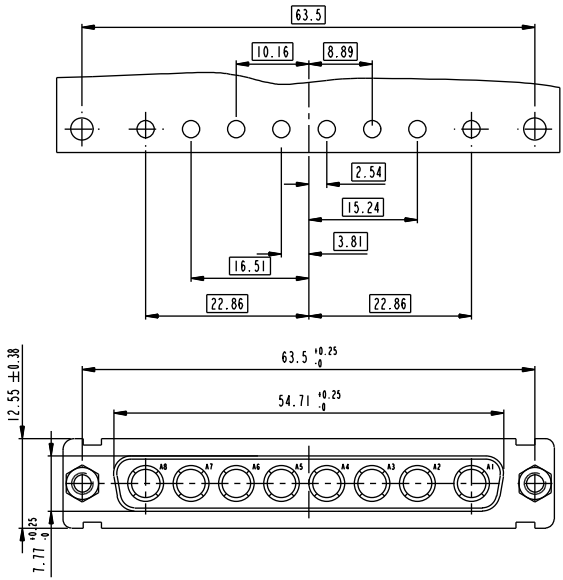
### 5W5

LAYOUT AND CONNECTOR DIMENSIONS  
For PCB hole diameters see table 1 sheet 1



### 8W8

LAYOUT AND CONNECTOR DIMENSIONS  
For PCB hole diameters see table 1 sheet 1



www.fciconnect.com		surface ISO 1302	tolerance std ISO 406 ISO 1101	projection mm
TOLERANCES UNLESS OTHERWISE SPECIFIED				
Dr	M PESSON	2005-10-11	ANGULAR	0.X ±0.3
Eng	P LEGARE	2005-10-11	LINEAR	0.XXX ±0.1
Chr			0° ±2°	0.XXX ±0.05
Appr			Product family	Spec ref

FCI	TITLE SUB FEMALE DW full power straight solder	cat no	C01-8639-2310	Rev. F
-----	--	--------	---------------	-----------