

REFERENCE SPECIFICATIONS

-NFC 93425 (in compliance with HE 508)

PHYSICAL CHARACTERISTICS

-INSULATOR MATERIAL: THERMOSET UL94V0

-CONTACT MATERIAL: BRASS
GOLD OVER NICKEL

-ACCESSORIES: STEEL FOR METAL BRACKETS
Cadmium plated, yellow passivation
THERMOPLASTIC UL94V0 FOR PLASTIC BRACKETS

BRASS FOR OTHERS ACCESSORIES
Cadmium plated, yellow passivation

-SHELLS: STEEL
Cadmium plated, yellow passivation

ELECTRICAL CHARACTERISTICS

-NOMINAL CURRENT: 7.5A

-CONTACT RESISTANCE: <=7.3 m Ohms

-CONTACT/CONTACT : >=1000 V

-CONTACT/GROUND : >=1200 V

-INSULATION RESISTANCE: >=5000 MOhms

ENVIRONMENTAL CHARACTERISTICS

- CLIMATIC CATEGORY: 55/155/56

TEMPERATURE RANGE -55°C TO +155°C

DAMP HEAT STEADY STATE 56 DAYS

SALT SPRAY 48 HOURS

MECHANICAL CHARACTERISTICS

RETENTION AGAINST TORQUE: -Threaded insert:0.7 N.m min

-Female screw:0.5 N.m min

DBML25S500MN

Series

Shell size: **E A B C D**
(see sheet 3)

Front accessory definition
(see sheet 2)

- Blank** :without accessory
- L** :threaded insert M3
- O** :threaded insert UNC 4-40
- V** :female screw UNC 4-40

Layout of contacts (see sheet 3)

9,15,25,37,50

Contacts

S :Socket

Termination type

5 Right angle/Europe standard

Plating

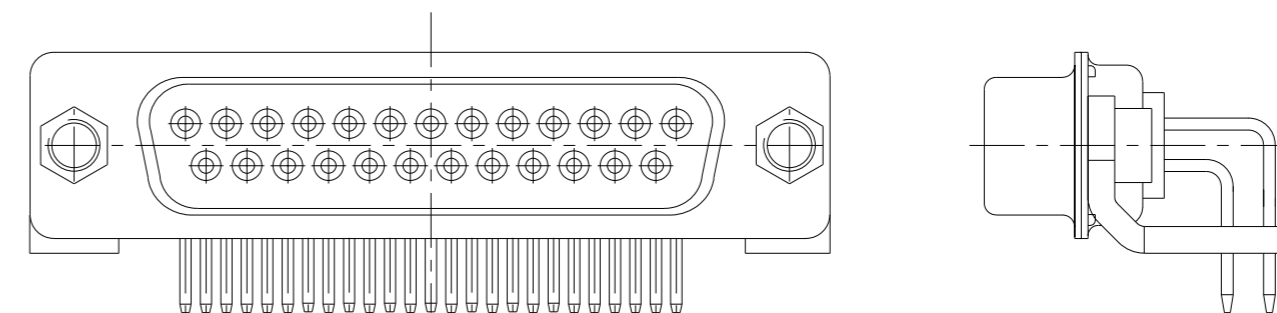
00 Right angle 500 matings/unmatings

43 Right angle 500 matings/unmatings
for harsh environment

PCB accessories definition(see sheet 2)

- Blank** :Plastic brackets
- C** :Without brackets
- M** :Metal brackets

Obligatory for HE508



25 WAY FOR EXAMPLE

rev	ecn no	dr	date
A	LS06-0174	MPE	2006/11/14
-	-	-	-
-	-	-	-
-	-	-	-
-	-	-	-
-	-	-	-

www.fciconnect.com		surface -	tolerance std	projection	mm
		ISO 1302 ✓	ISO 406 ISO 1101	⊕	←→
		TOLERANCES UNLESS OTHERWISE SPECIFIED		size	Scale
Dr	M PESSON	2006/11/14	ANGULAR	0.X ±0.3	A2 2:1
Eng	P LEGARE	2006/11/14	LINEAR	0.XX ±0.1	
Chr	P LEGARE	2006/11/14	0° ±2°	0.XXX ±0.05	ECN LS06-0174
Appr	P LEGARE	2006/11/14	Product family	-	Spec ref
FCj		title SUB FEMALE DM HE508 series		dwg no	Rev.
		with right angle contact		C01-8637-1748	A
catalog no		CUSTOMER		sheet 1 of 9	

A

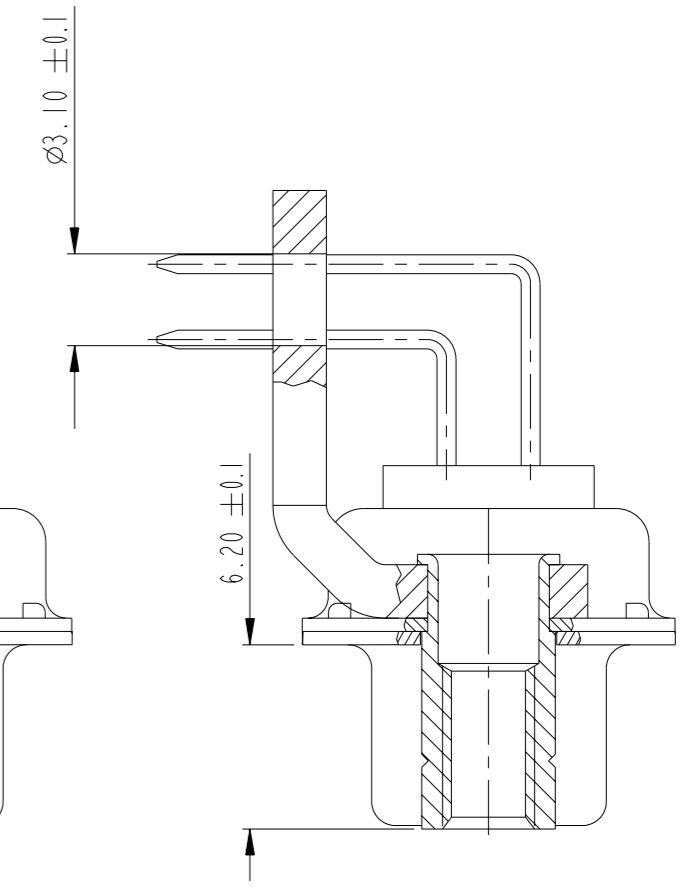
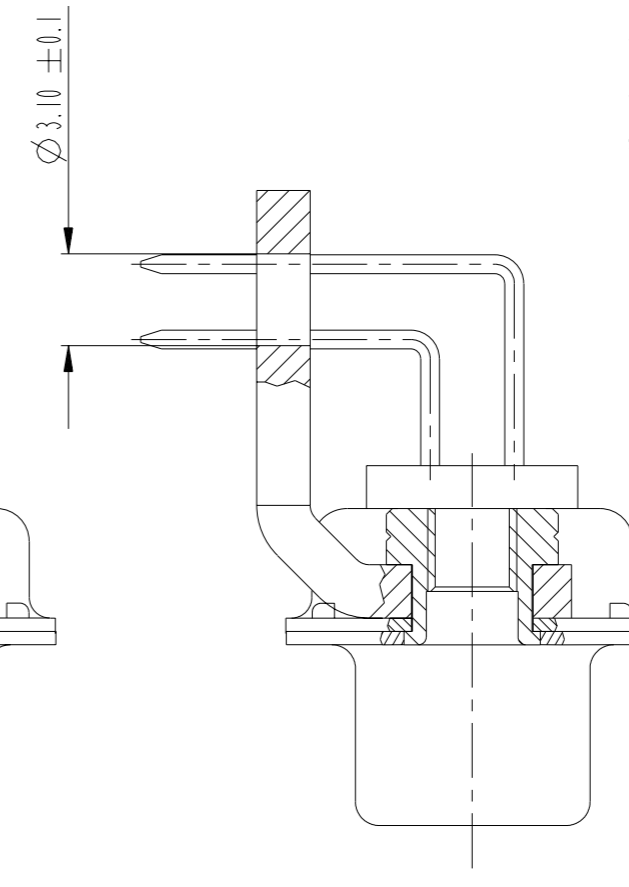
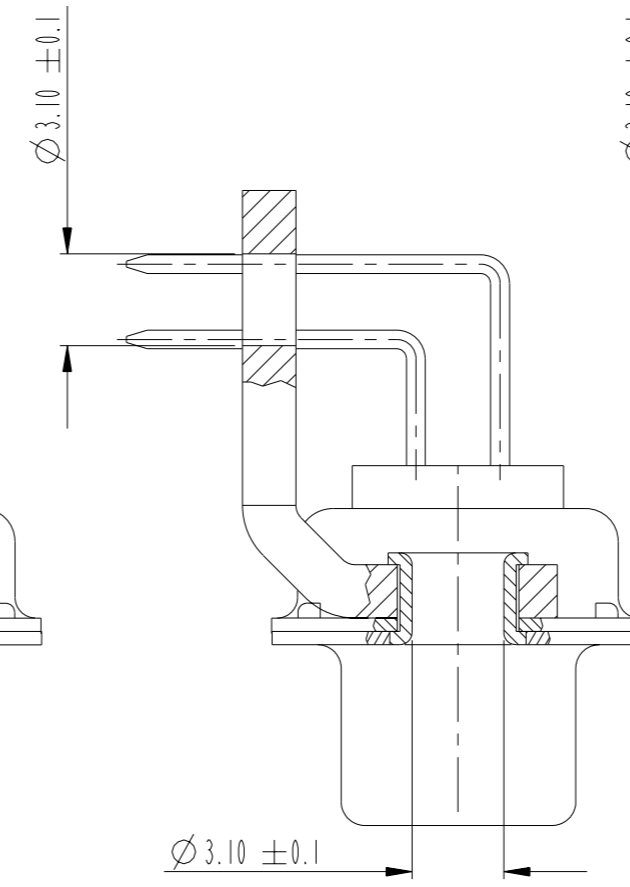
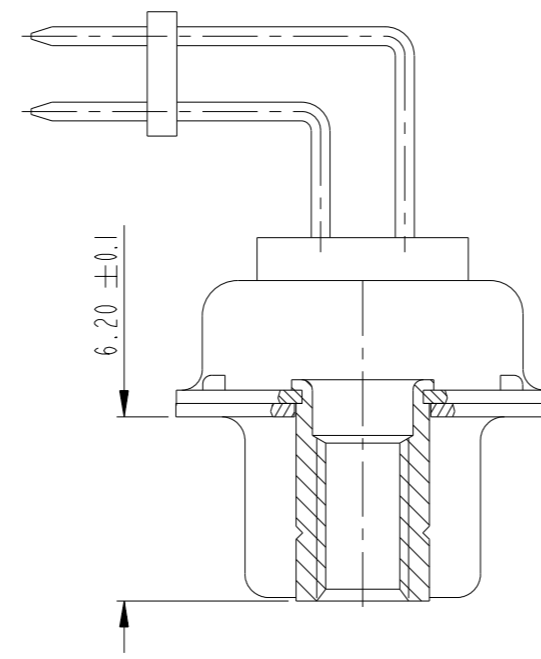
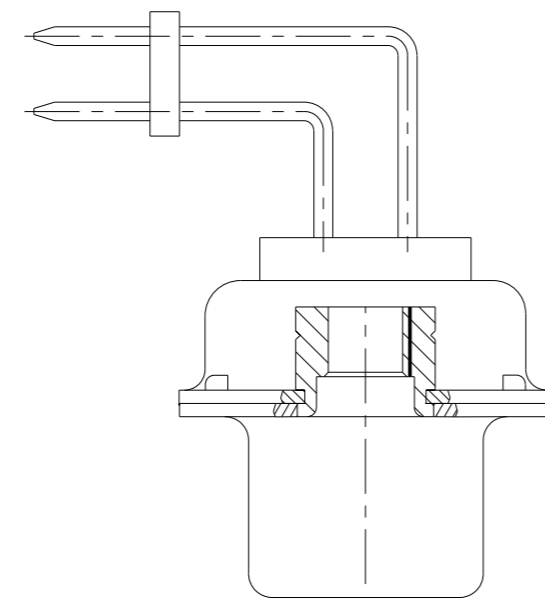
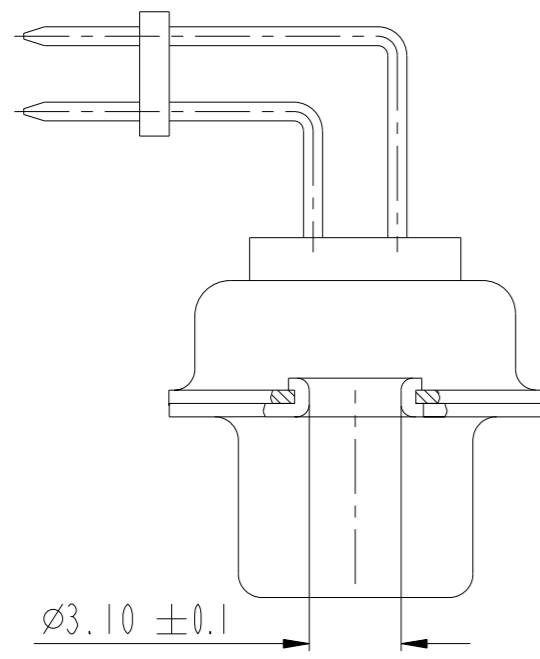
B

C

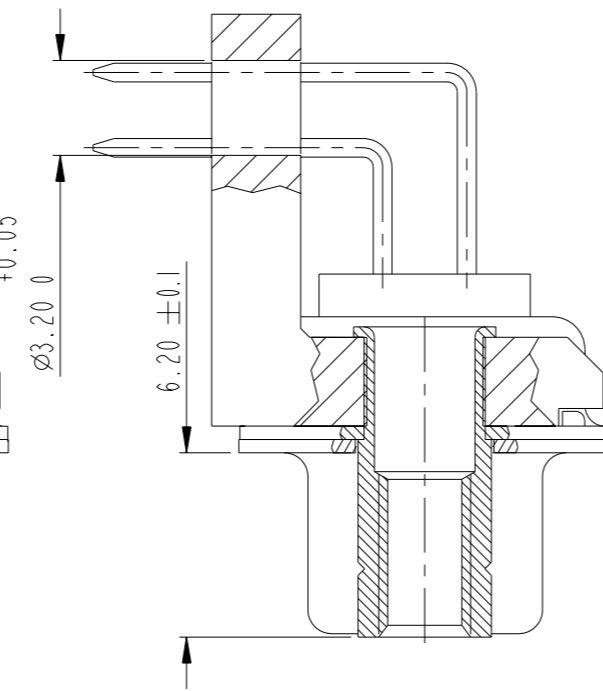
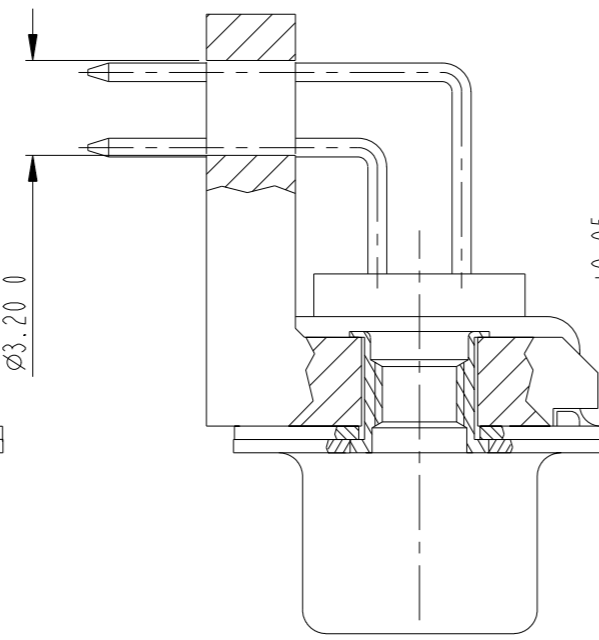
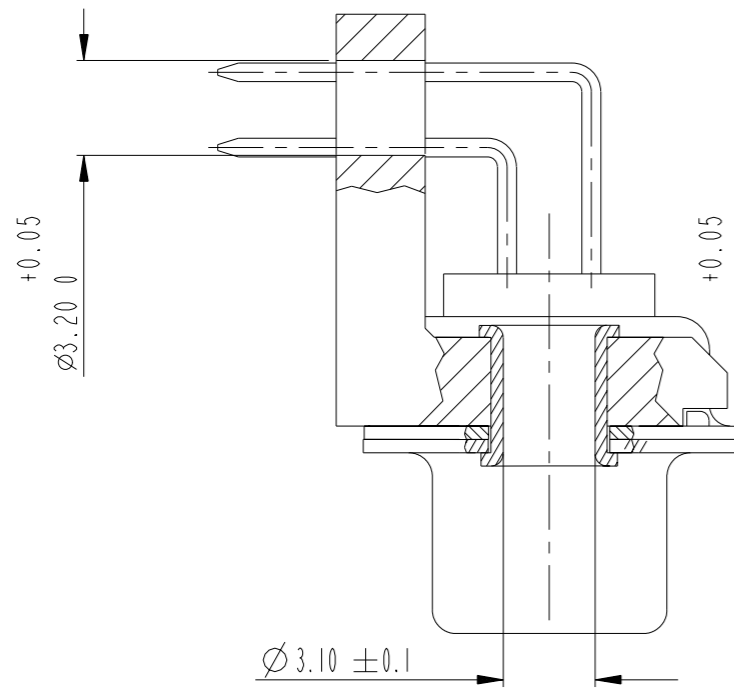
D

E

F



FRONT ACCESSORY	Blank Without	L insert M3 O insert UNC 4.40	V female screw UNC 4.40	Blank Without	L insert M3 O insert UNC 4.40	V female screw UNC 4.40
PCB ACCESSORIES	C Without	C Without	C Without	M Metal bracket	M Metal bracket	M Metal bracket



FRONT ACCESSORY	Blank Without	L insert M3 O insert UNC 4.40	V female screw UNC 4.40
PCB ACCESSORIES	Blank Plastic bracket	Blank Plastic bracket	Blank Plastic bracket

Copyright FCI. FCJ

SCALE: 4

www.fciconnect.com		surface ISO 1302	tolerance std ISO 406 ISO 1101	projection mm
		TOLERANCES UNLESS OTHERWISE SPECIFIED		mm
Dr	M PESSON	2006/11/14	ANGULAR	size A2
Eng	P LEGARE	2006/11/14	LINEAR	Scale 2:1
Chr	P LEGARE	2006/11/14	0° ± 2°	ECN LS06-0174
Appr	P LEGARE	2006/11/14	Product family	- Spec ref
FCJ		SUB FEMALE DM HE508 series		Rev. A
		with right angle contact		C01-8637-1748
catalog no		CUSTOMER		sheet 2 of 9

PART NUMBER	FRONT ACCESSORY	PCB ACCESSORY
D*MxxS500CN	without	without
D*MLxxS500CN	insert M3	without
D*MOxxS500CN	insert UNC 4.40	without
D*MVxxS500CN	female screw UNC 4.40	without
D*MxxS500MN	without	Metal bracket
D*MLxxS500MN	insert M3	Metal bracket
D*MOxxS500MN	insert UNC 4.40	Metal bracket
D*MVxxS500MN	female screw UNC 4.40	Metal bracket
D*MxxS500N	without	Plastic bracket
D*MLxxS500N	insert M3	Plastic bracket
D*MOxxS500N	insert UNC 4.40	Plastic bracket
D*MVxxS500N	female screw UNC 4.40	Plastic bracket

shell size	Contact number
*	XX
E	09
A	15
B	25
C	37
D	50

PART NUMBER	FRONT ACCESSORY	PCB ACCESSORY
D*MxxS543CN	without	without
D*MLxxS543CN	insert M3	without
D*MOxxS543CN	insert UNC 4.40	without
D*MVxxS543CN	female screw UNC 4.40	without
D*MxxS543MN	without	Metal bracket
D*MLxxS543MN	insert M3	Metal bracket
D*MOxxS543MN	insert UNC 4.40	Metal bracket
D*MVxxS543MN	female screw UNC 4.40	Metal bracket
D*MxxS543N	without	Plastic bracket
D*MLxxS543N	insert M3	Plastic bracket
D*MOxxS543N	insert UNC 4.40	Plastic bracket
D*MVxxS543N	female screw UNC 4.40	Plastic bracket

CROSS REFERENCES HE508 and FCI

HE508 P/N	FCI P/N	FRONT ACCESSORY	PCB ACCESSORY
HE508PxxVS6	D*MxxS500N	without	Plastic bracket
HE508MxxVS6	D*MxxS500MN	without	Metal bracket



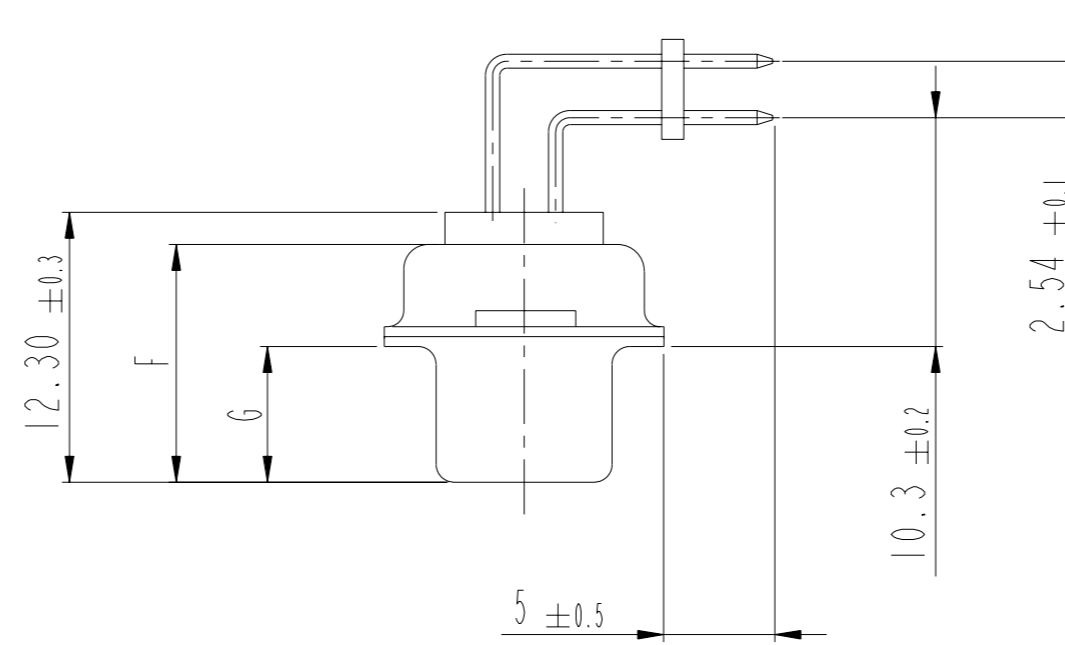
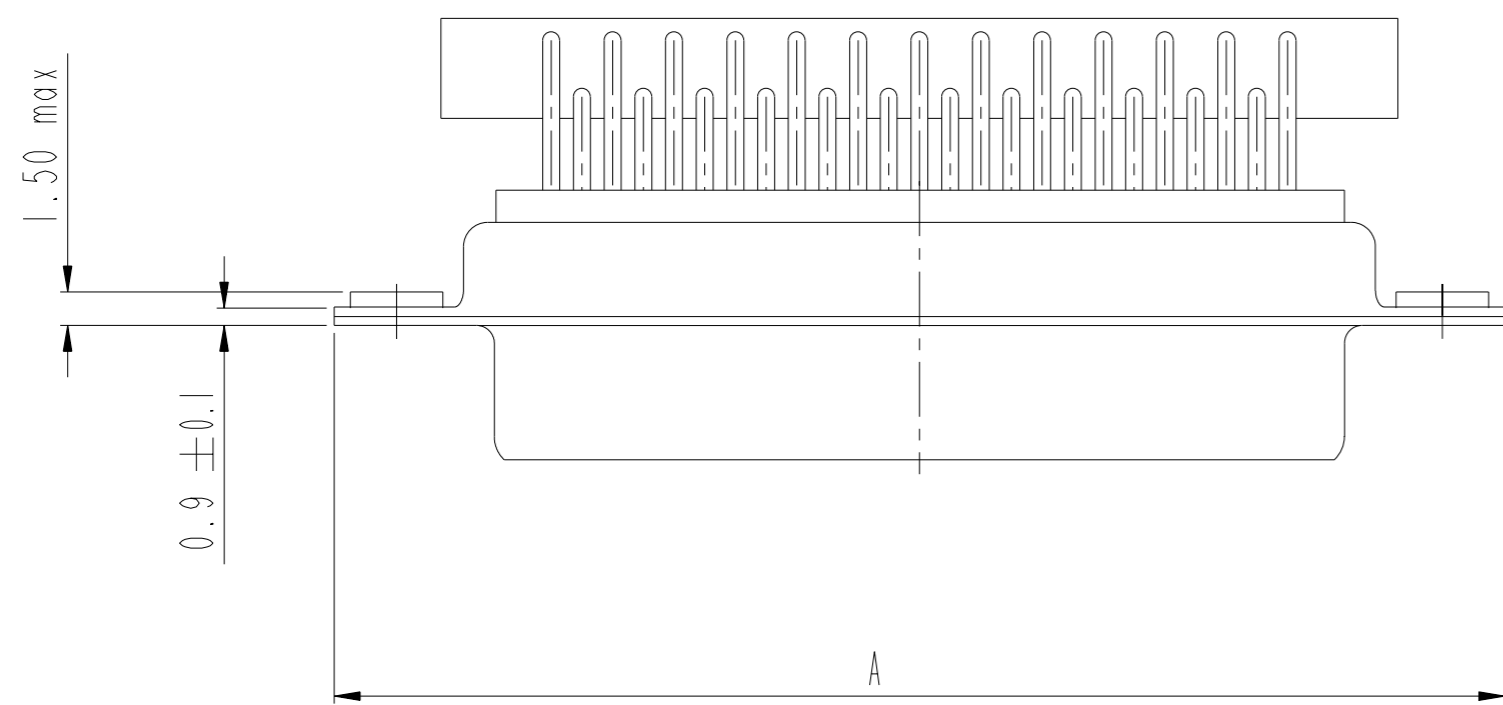
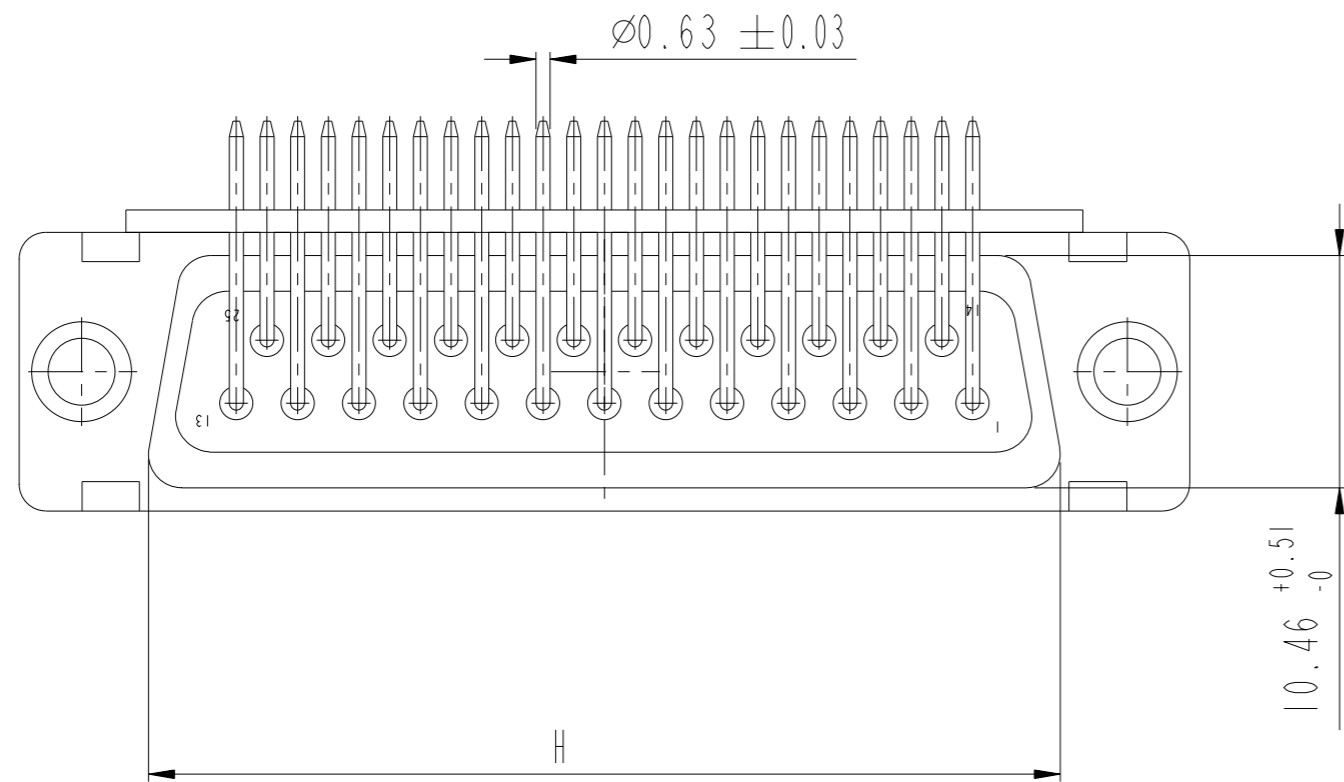
Copyright FCI.

www.fciconnect.com			surface ISO 1302	tolerance std ISO 406 ISO 1101	projection mm
			TOLERANCES UNLESS OTHERWISE SPECIFIED		
Dr	M PESSON	2006/11/14	ANGULAR	0.X ±0.3	size A2
Eng	P LEGARE	2006/11/14	LINEAR	0.XX ±0.1	Scale 2:1
Chr	P LEGARE	2006/11/14	0° ±2°	0.XXX ±0.05	ECN LS06-0174
Appr	P LEGARE	2006/11/14	Product family	-	Spec ref
			SUB FEMALE DM HE508 series with right angle contact		Rev. A C01-8637-1748
catalog no			CUSTOMER		sheet 3 of 9

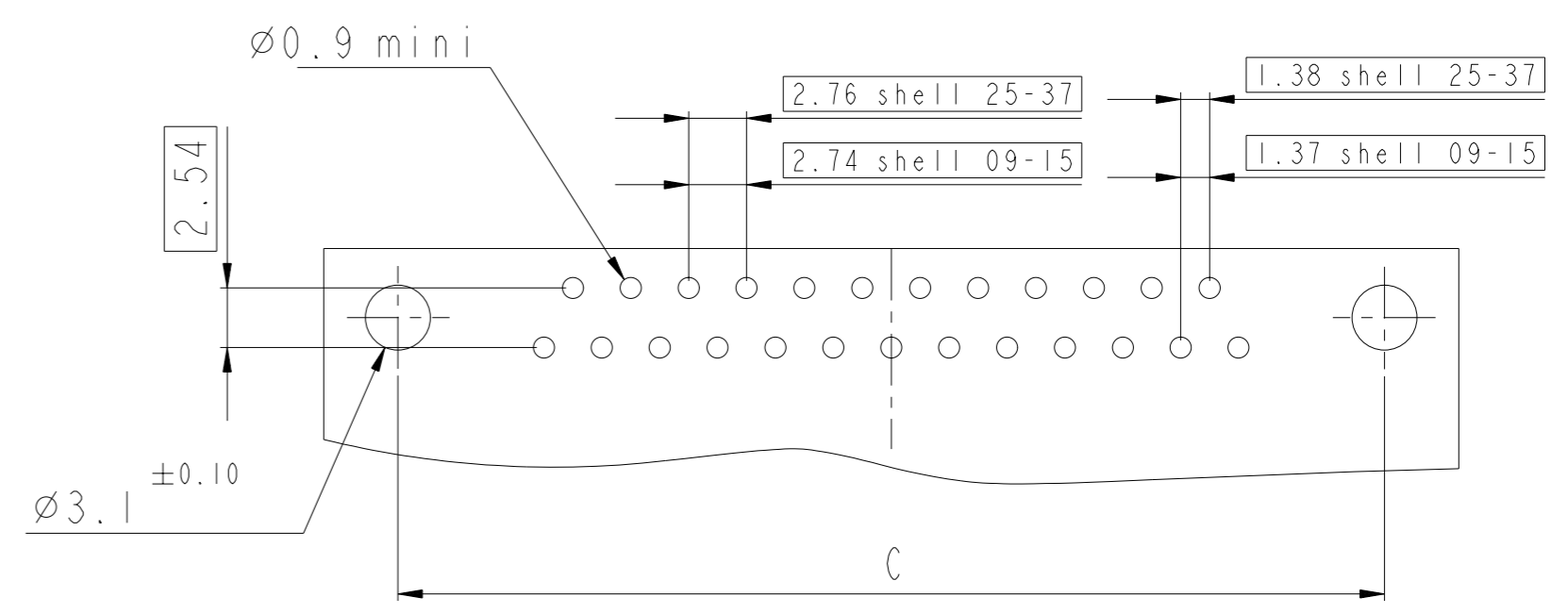
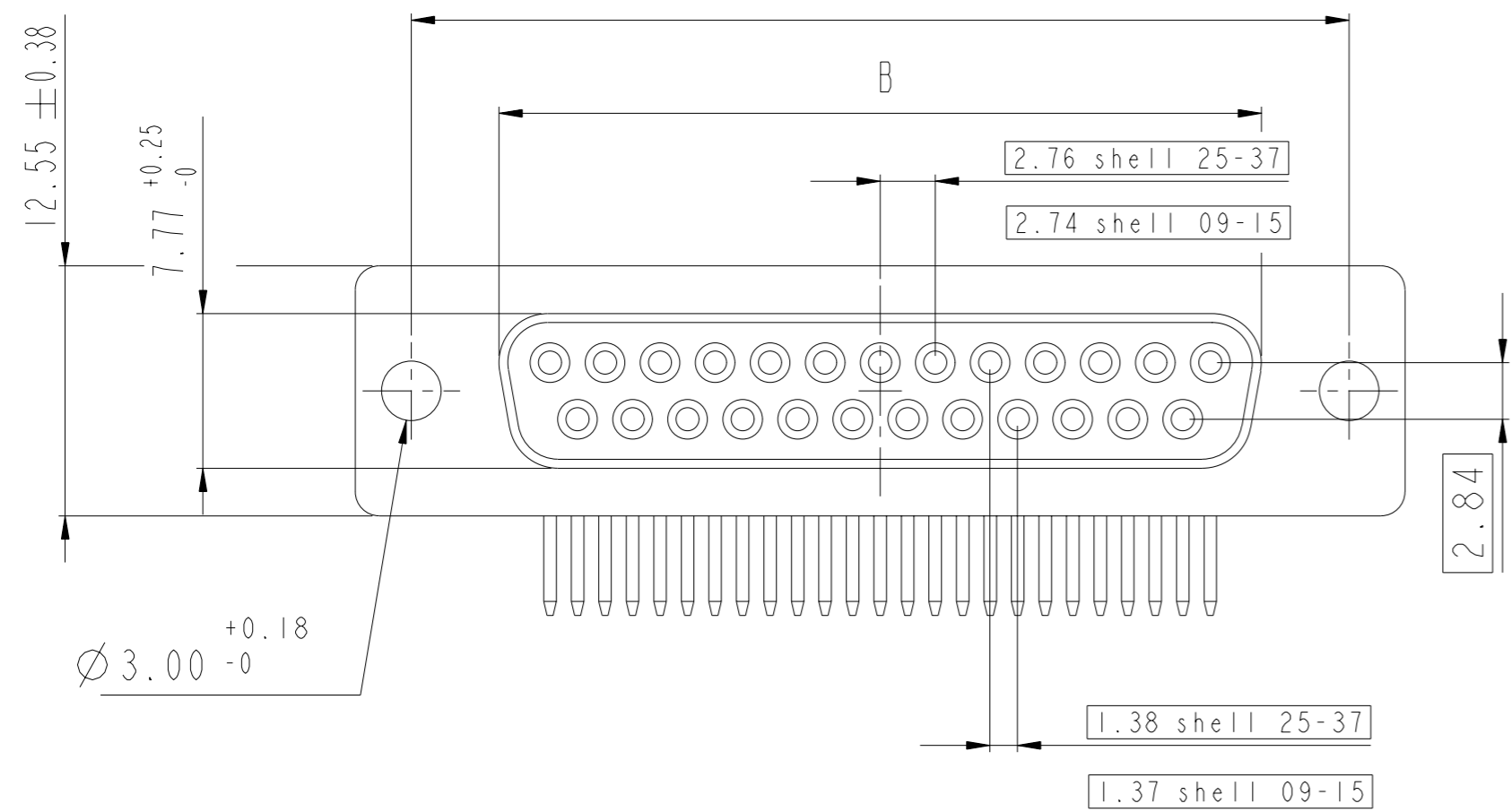
DIMENSION FOR SHELL E,A,B,C WITHOUT BRACKET

Dimensions are in millimeters

Shell size	Number of contacts	A ^{+0.76} ₋₀	B ^{+0.25} ₋₀	C ±0.12	F ^{+0.57} ₋₀	G ^{+0.25} ₋₀	H ^{+0.51} ₋₀
E	09	30.43	16.21	24.99	10.64	6.05	19.02
A	15	38.76	24.54	33.32	10.64	6.05	27.25
B	25	52.65	38.25	47.04	10.64	6.05	41.02
C	37	68.94	54.71	63.50	10.64	6.05	57.45



LAYOUT DIMENSIONS



SCALE: 3

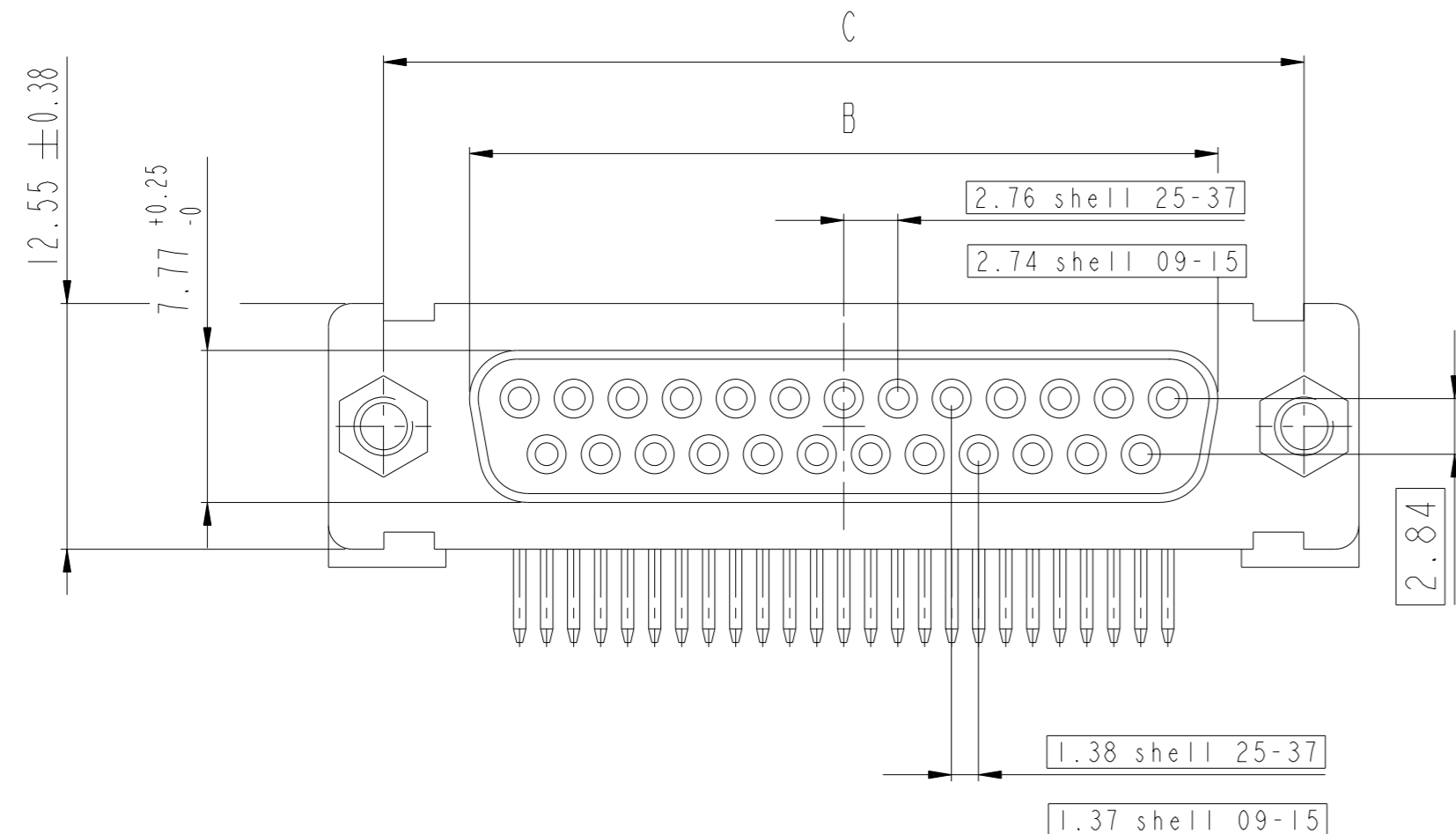
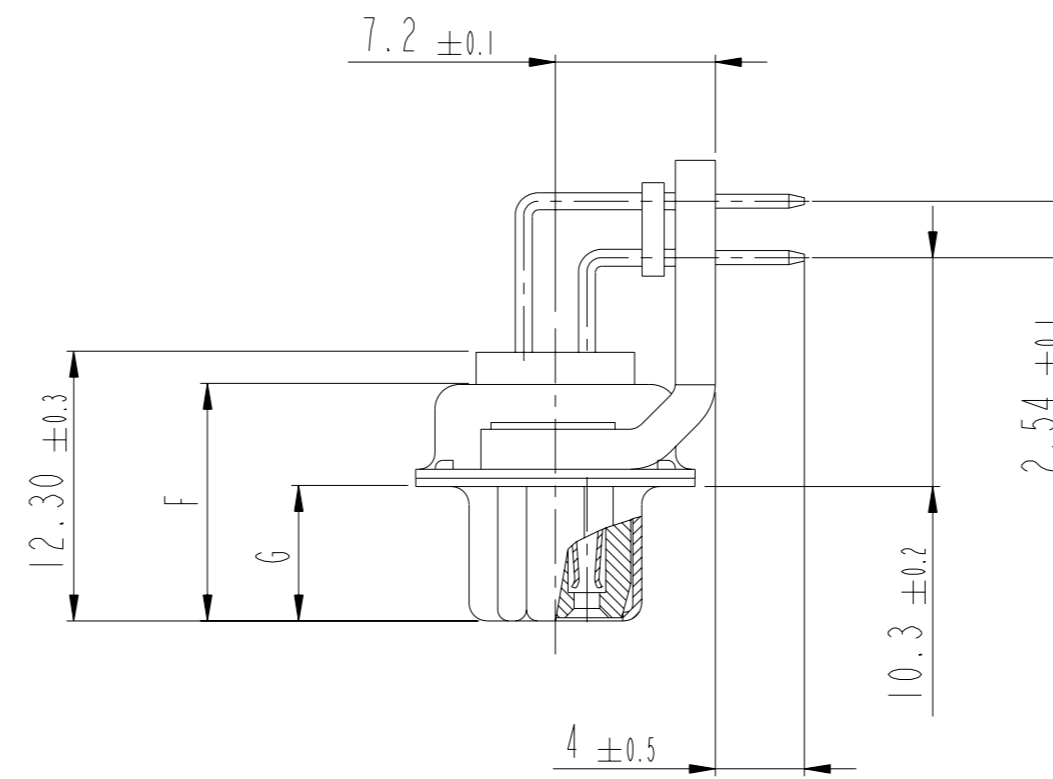
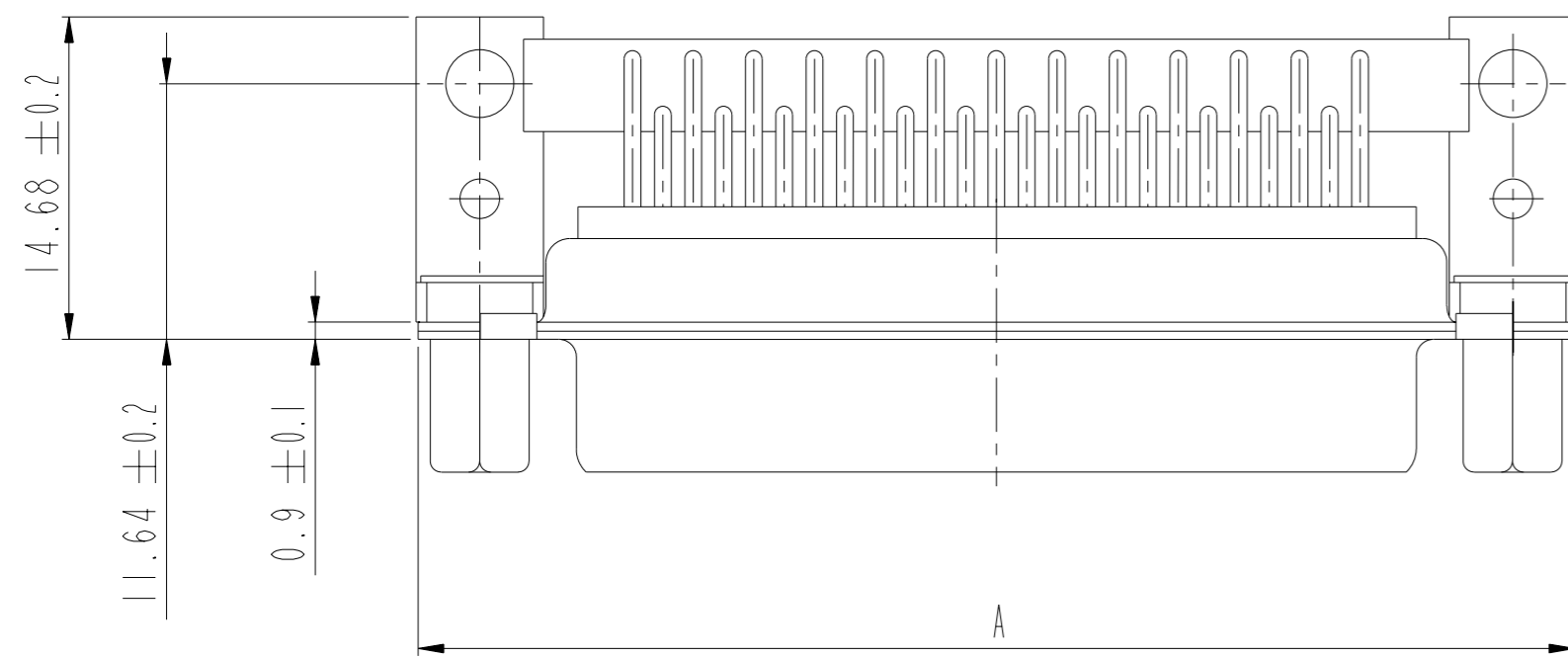
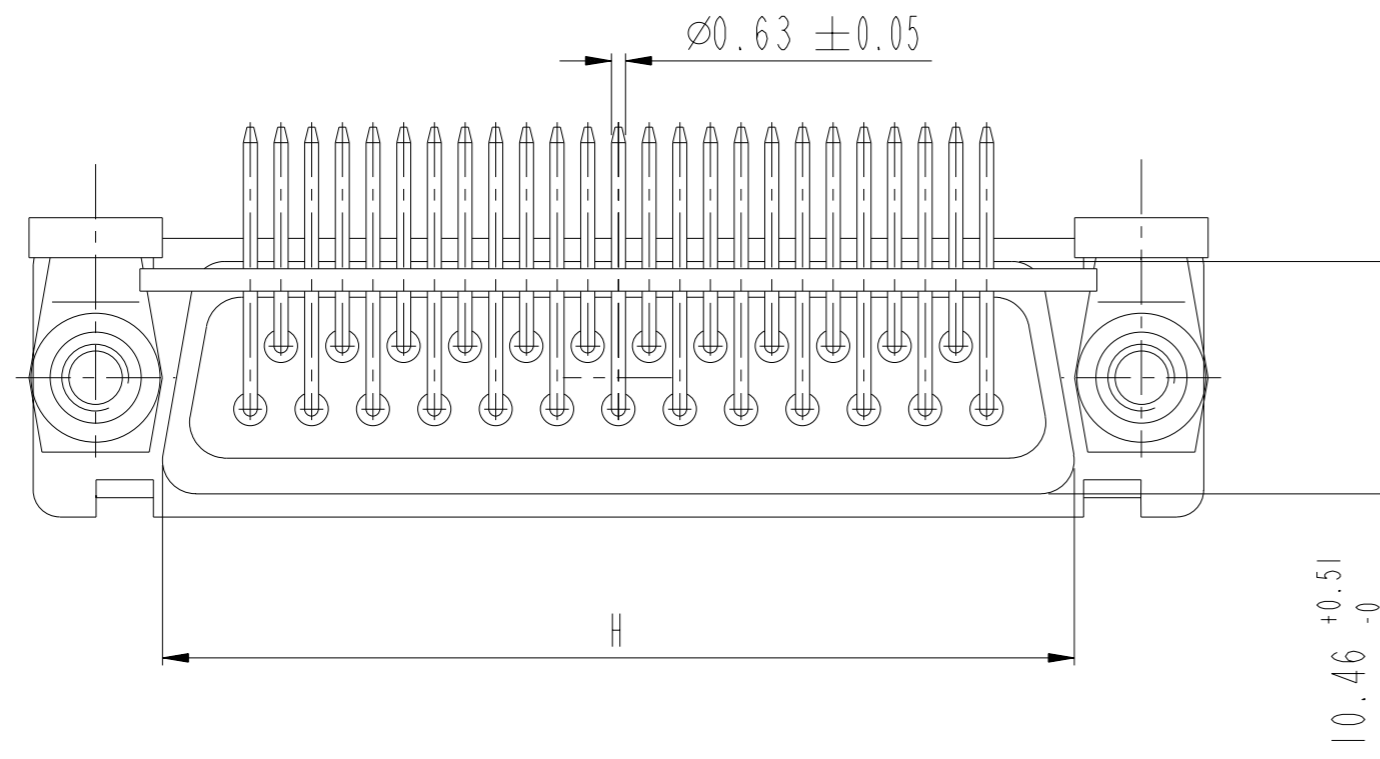
www.fciconnect.com		surface ISO 1302	tolerance std ISO 406 ISO 1101	projection	mm
		TOLERANCES UNLESS OTHERWISE SPECIFIED		size A2	Scale 2:1
Dr	M PESSON	2006/11/14	ANGULAR	0.X ±0.3	
Eng	P LEGARE	2006/11/14	LINEAR	0.XX ±0.1	
Chr	P LEGARE	2006/11/14	0° ±2°	0.XXX ±0.05	ECN LS06-0174
Appr	P LEGARE	2006/11/14	Product family	-	Spec ref
		TITLE SUB FEMALE DM HE508 series with right angle contact		dwg no C01-8637-1748 Rev. A	CUSTOMER sheet 4 of 9

Copyright FCI. FCI

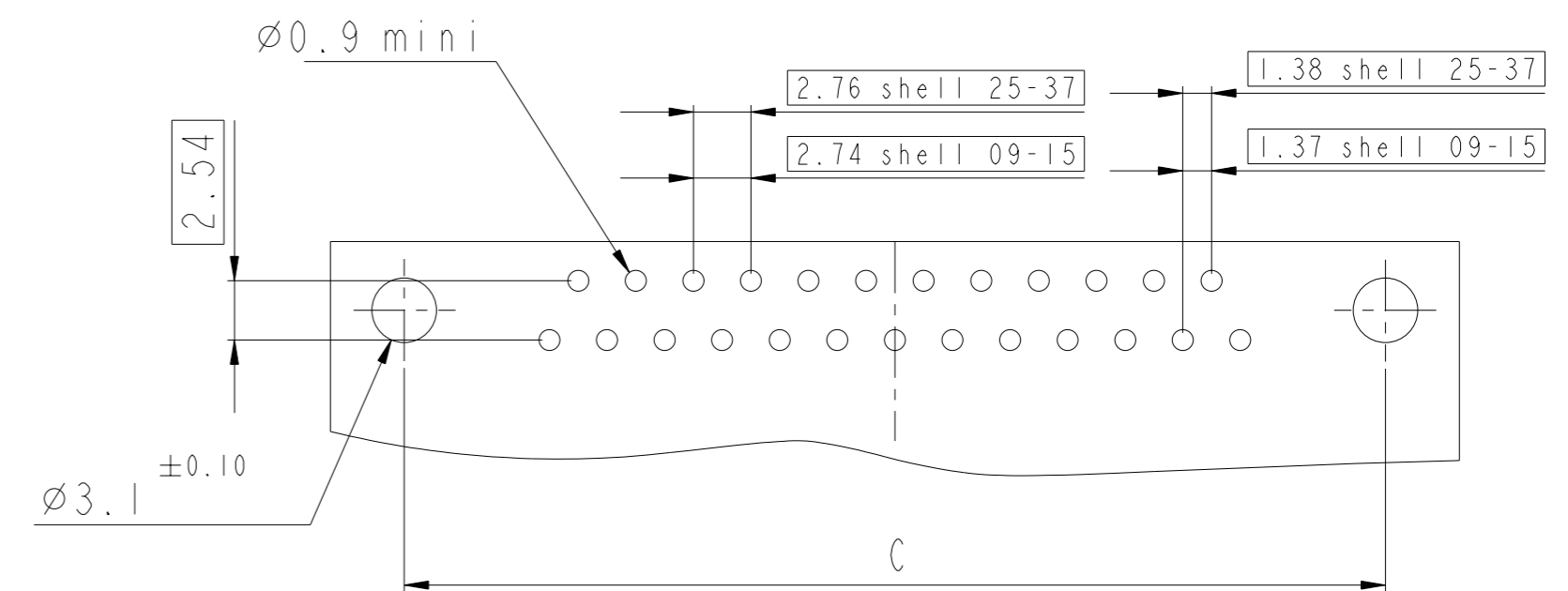
DIMENSION FOR SHELL SIZE E,A,B,C WITH METAL BRACKETS

Dimensions are in millimeters

Shell size	Number of contacts	A ^{+0.76} / ₋₀	B ^{+0.25} / ₋₀	C ±0.12	F ^{+0.57} / ₋₀	G ^{+0.25} / ₋₀	H ^{+0.51} / ₋₀
E	09	30.43	16.21	24.99	10.64	6.05	19.02
A	15	38.76	24.54	33.32	10.64	6.05	27.25
B	25	52.65	38.25	47.04	10.64	6.05	41.02
C	37	68.94	54.71	63.50	10.64	6.05	57.45



LAYOUT DIMENSIONS



SCALE: 3

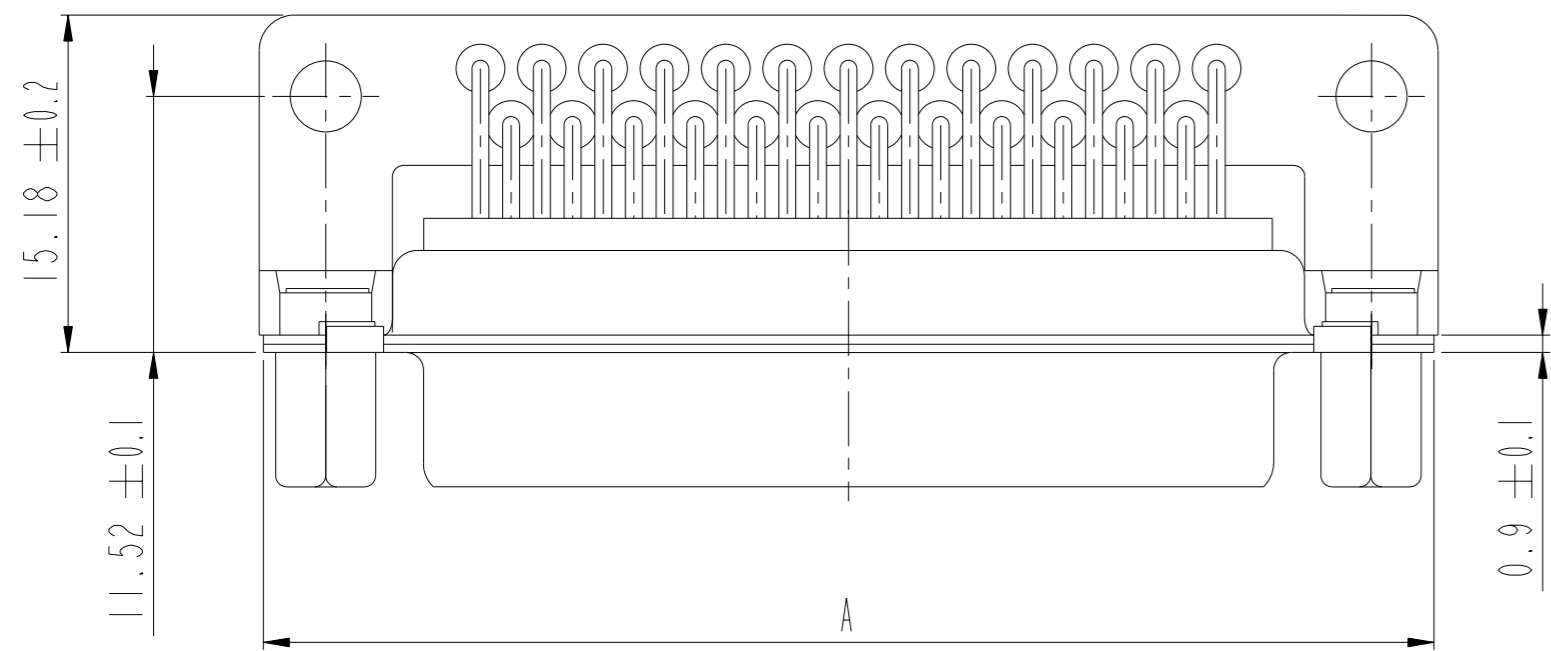
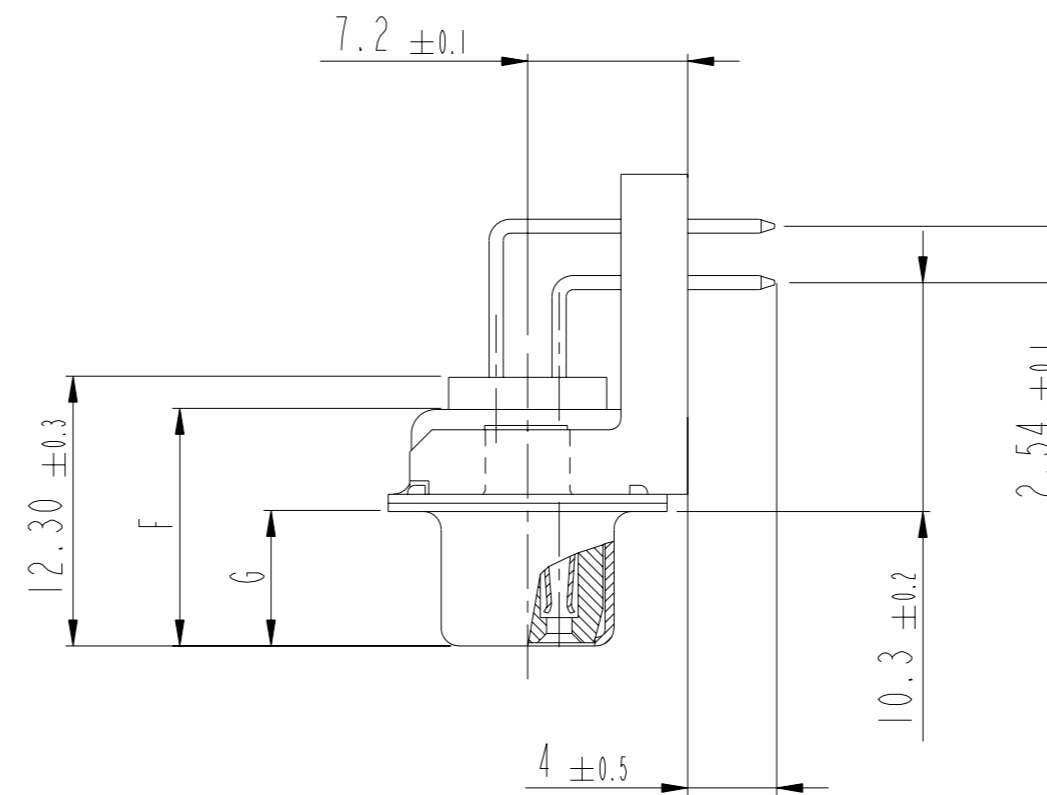
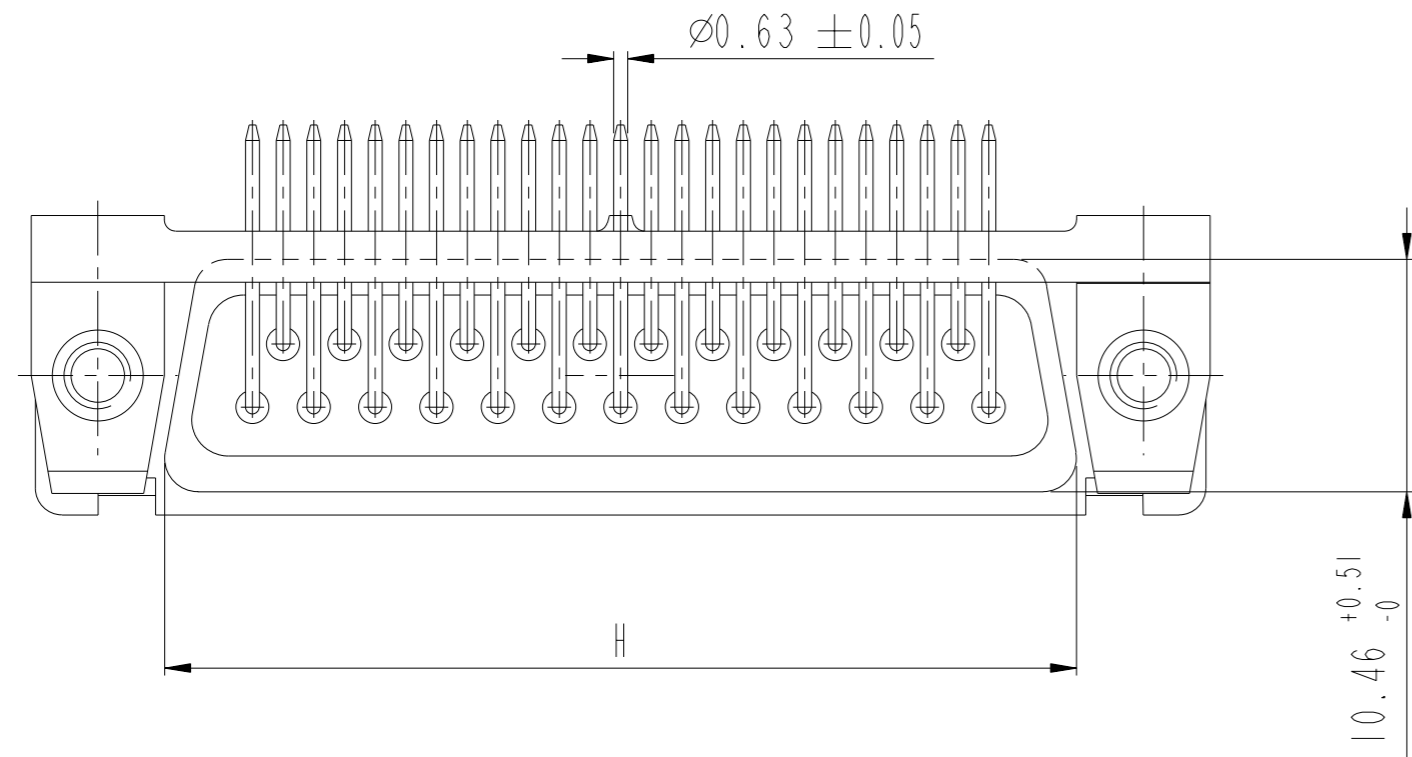
www.fciconnect.com		surface ISO 1302	tolerance std ISO 406 ISO 1101	projection	mm
		TOLERANCES UNLESS OTHERWISE SPECIFIED		size	Scale
Dr	M PESSON	2006/11/14	ANGULAR	0.X	±0.3
Eng	P LEGARE	2006/11/14	LINEAR	0.XX	±0.1
Chr	P LEGARE	2006/11/14	0° ±2°	0.XXX	±0.05
Appr	P LEGARE	2006/11/14	Product family	-	Spec ref
TITLE		SUB FEMALE DM HE508 series		dwg no	C01-8637-1748
catalog no		-		CUSTOMER	sheet 5 of 9

I 2 3 4 5 6 7 8

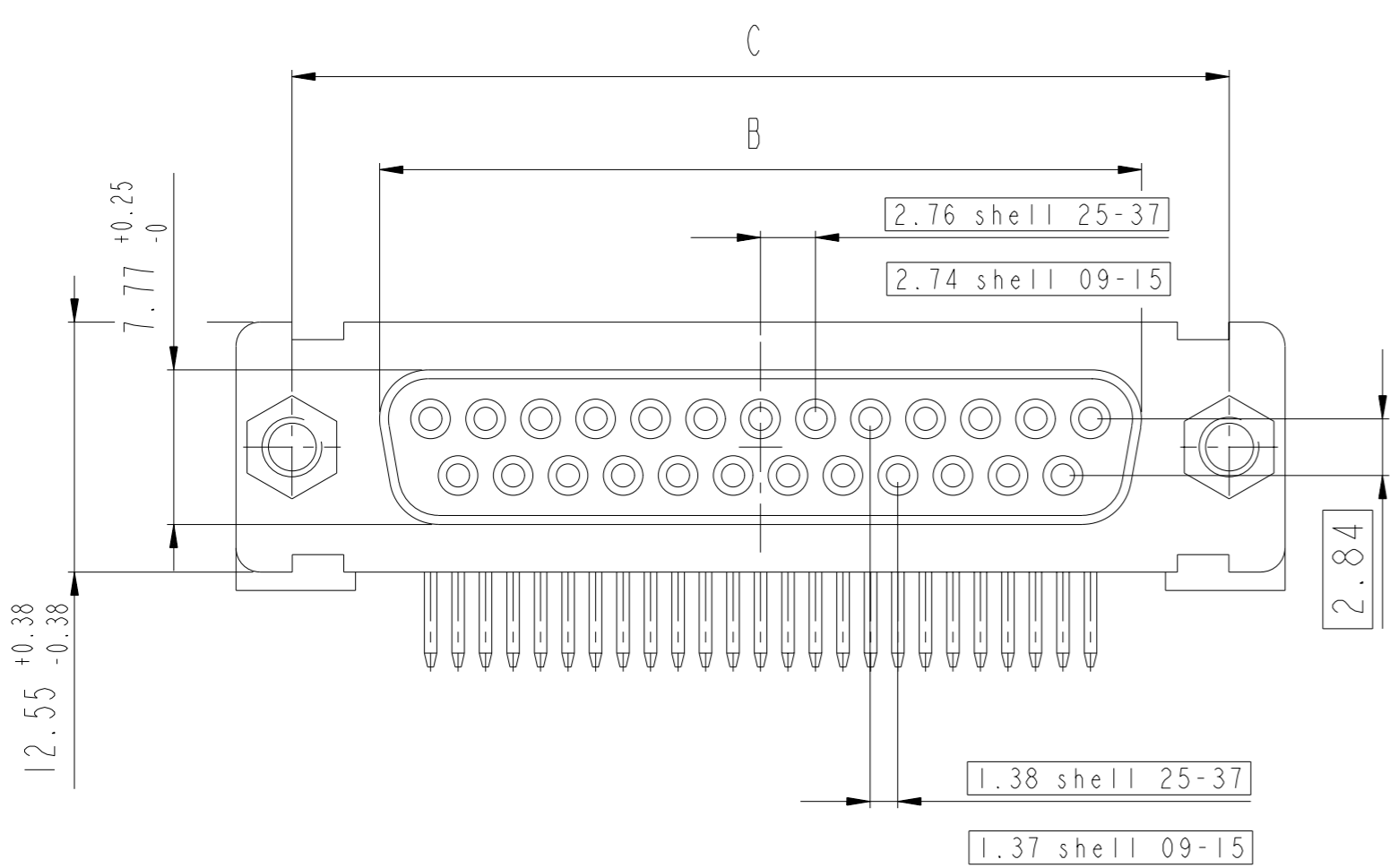
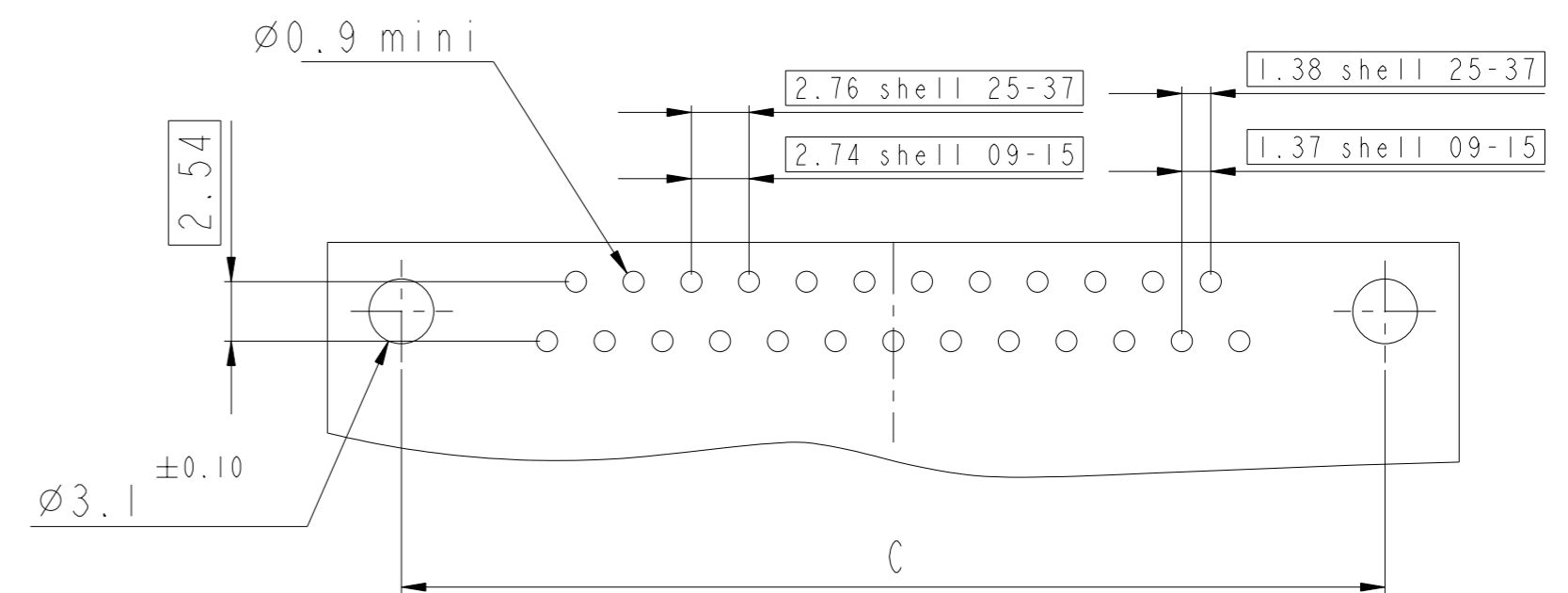
DIMENSION FOR SHELL E,A,B,C WITH PLASTIC BRACKET

Dimensions are in millimeters

Shell size	Number of contacts	A ^{+0.76} ₋₀	B ^{+0.25} ₋₀	C ±0.12	F ^{+0.57} ₋₀	G ^{+0.25} ₋₀	H ^{+0.51} ₋₀
E	09	30.43	16.21	24.99	10.64	6.05	19.02
A	15	38.76	24.54	33.32	10.64	6.05	27.25
B	25	52.65	38.25	47.04	10.64	6.05	41.02
C	37	68.94	54.71	63.50	10.64	6.05	57.45



LAYOUT DIMENSIONS



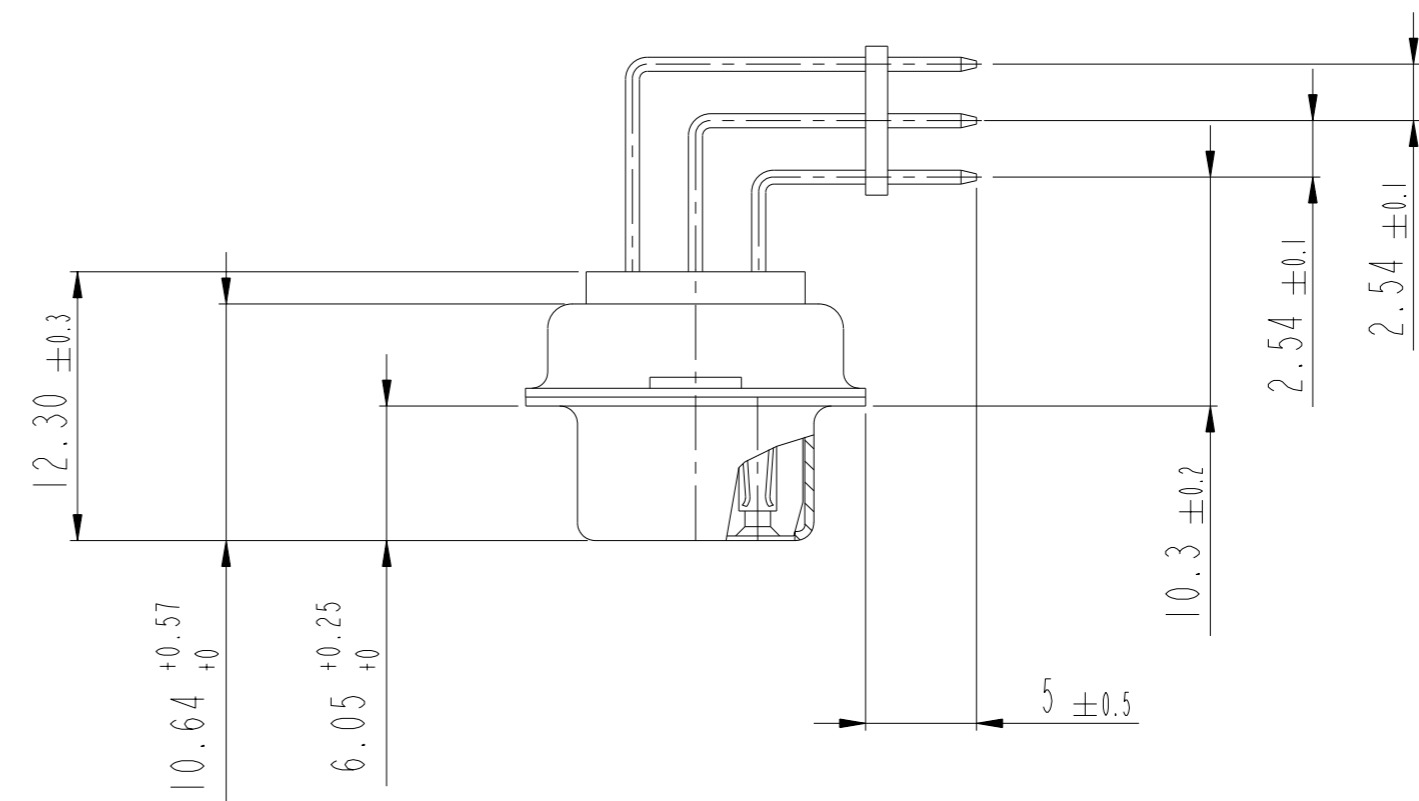
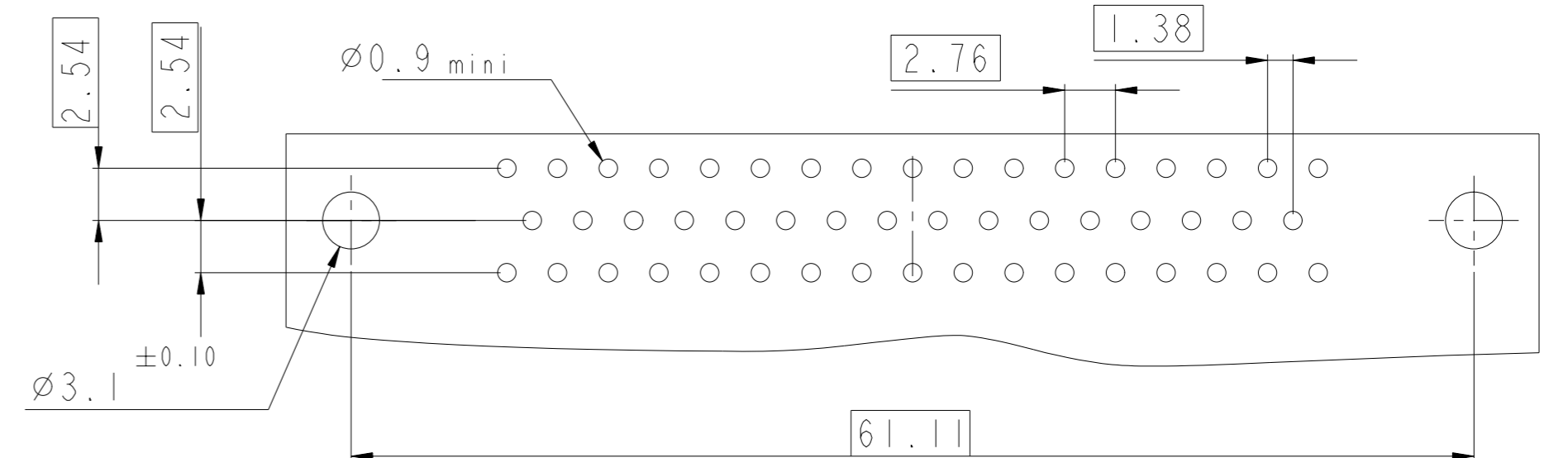
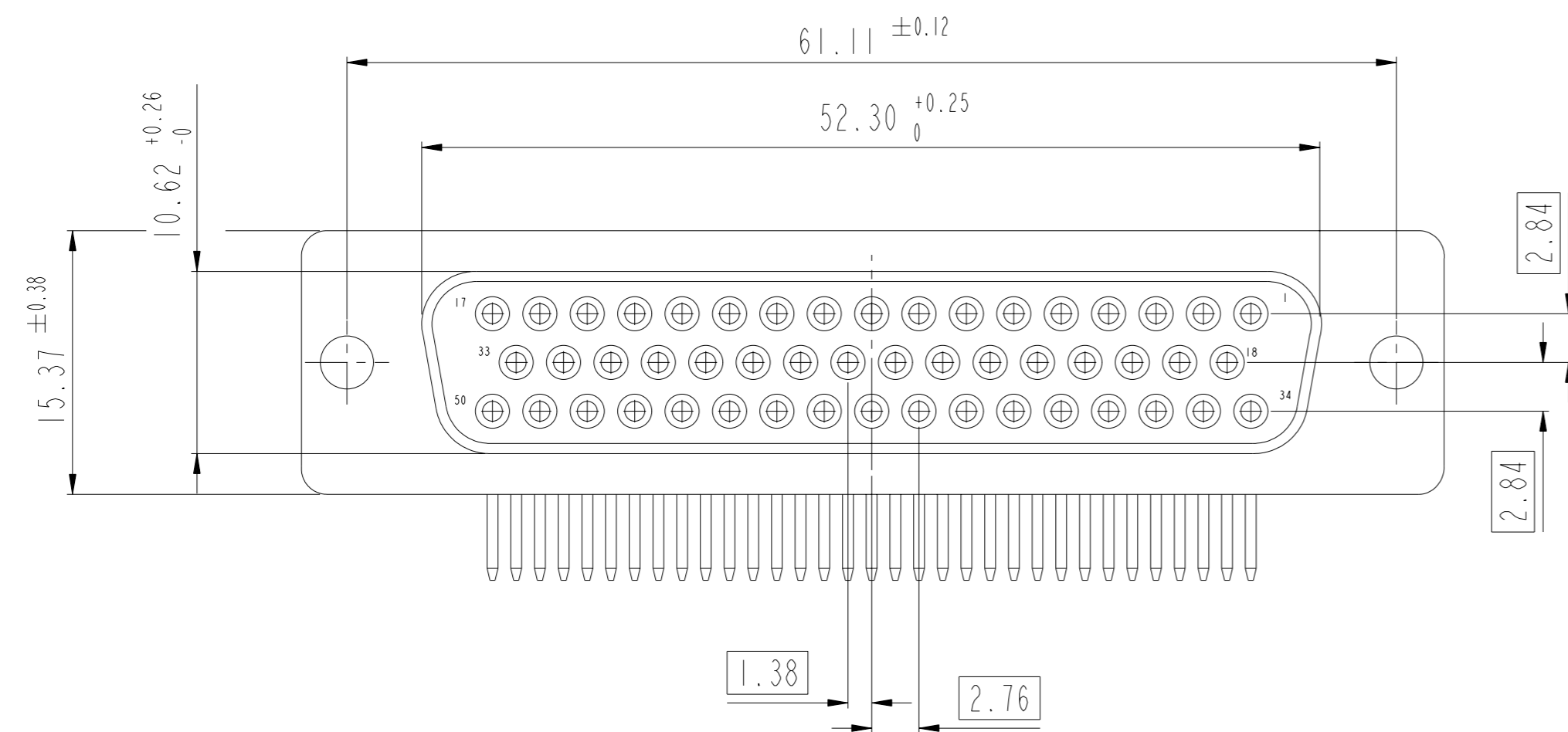
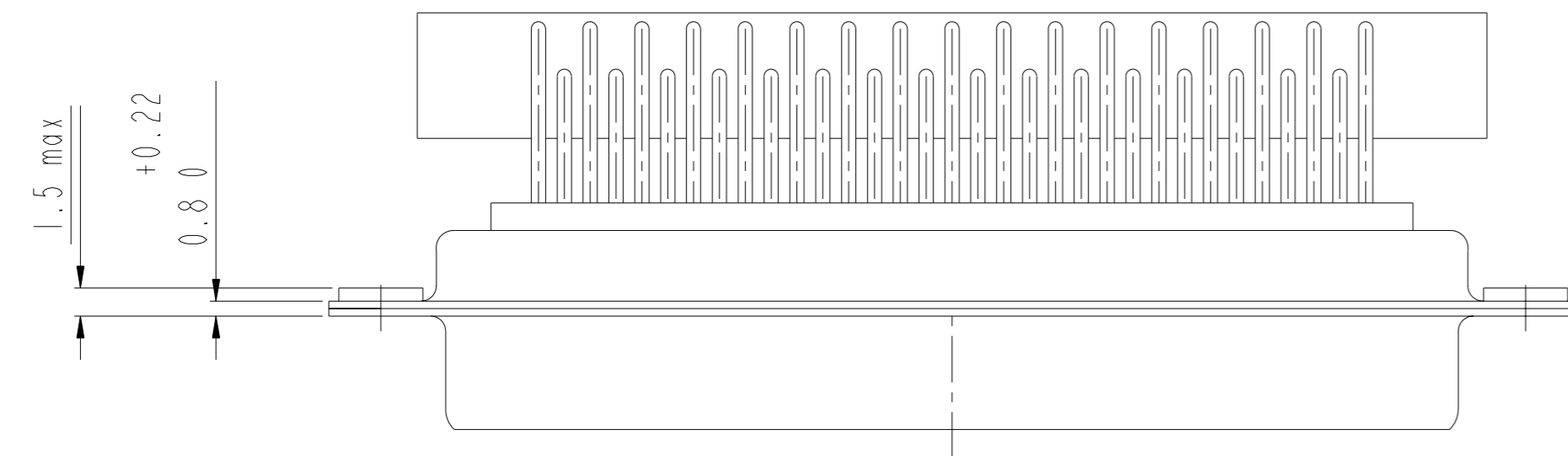
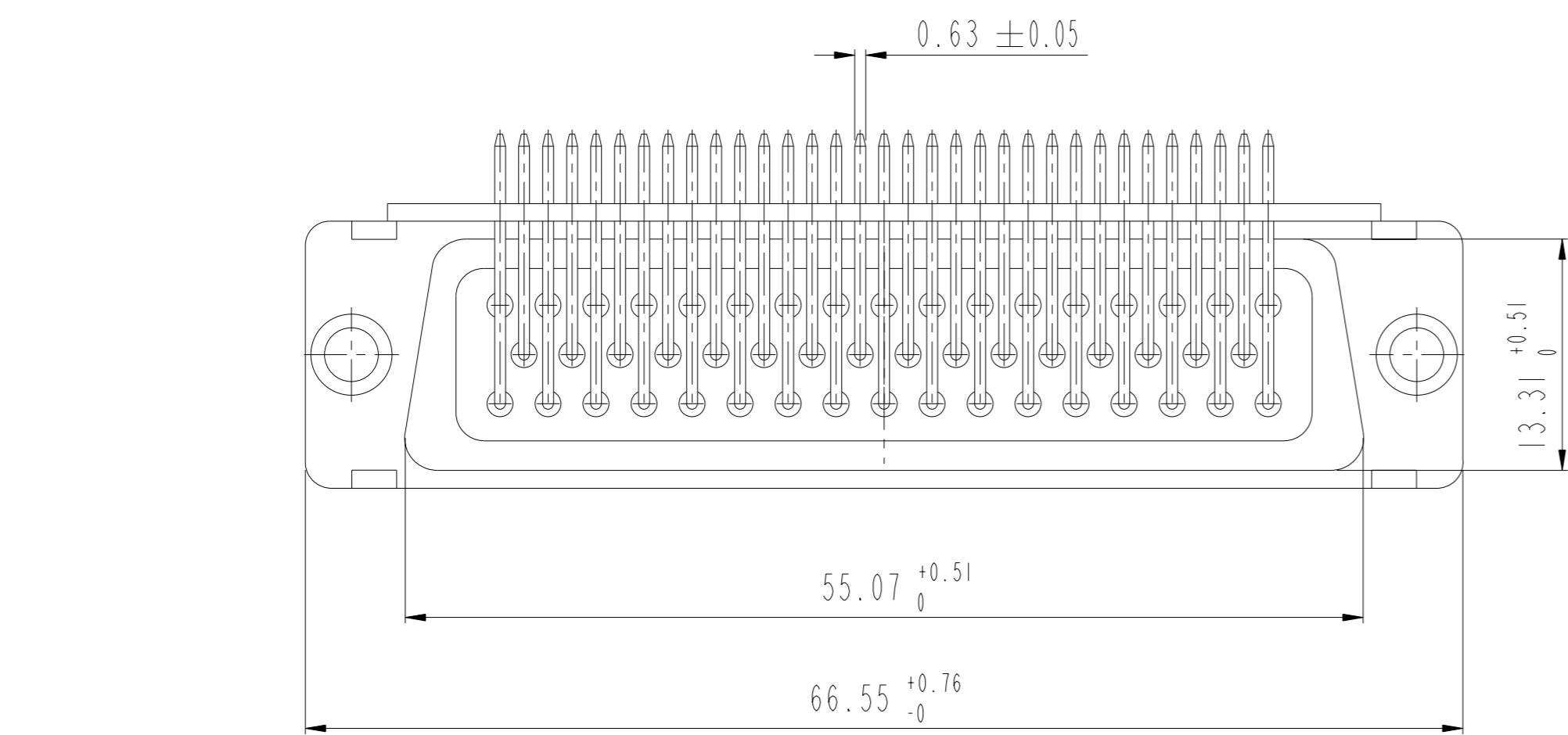
SCALE: 3

www.fciconnect.com		surface ISO 1302	tolerance std ISO 406 ISO 1101	projection	mm
		TOLERANCES UNLESS OTHERWISE SPECIFIED			Scale 2:1
Dr	M PESSON	2006/11/14	ANGULAR	0.X ±0.3	size A2
Eng	P LEGARE	2006/11/14	LINEAR	0.XX ±0.1	ECN LS06-0174
Chr	P LEGARE	2006/11/14	0° ±2°	0.XXX ±0.05	- Spec ref
Appr	P LEGARE	2006/11/14	Product family		
		TITLE SUB FEMALE DM HE508 series with right angle contact		dwg no C01-8637-1748	Rev. A
catalog no		CUSTOMER		sheet 6 of 9	

Copyright FCI. FCI

SHELL SIZE D WITHOUT BRACKET (50 contacts)

LAYOUT DIMENSIONS

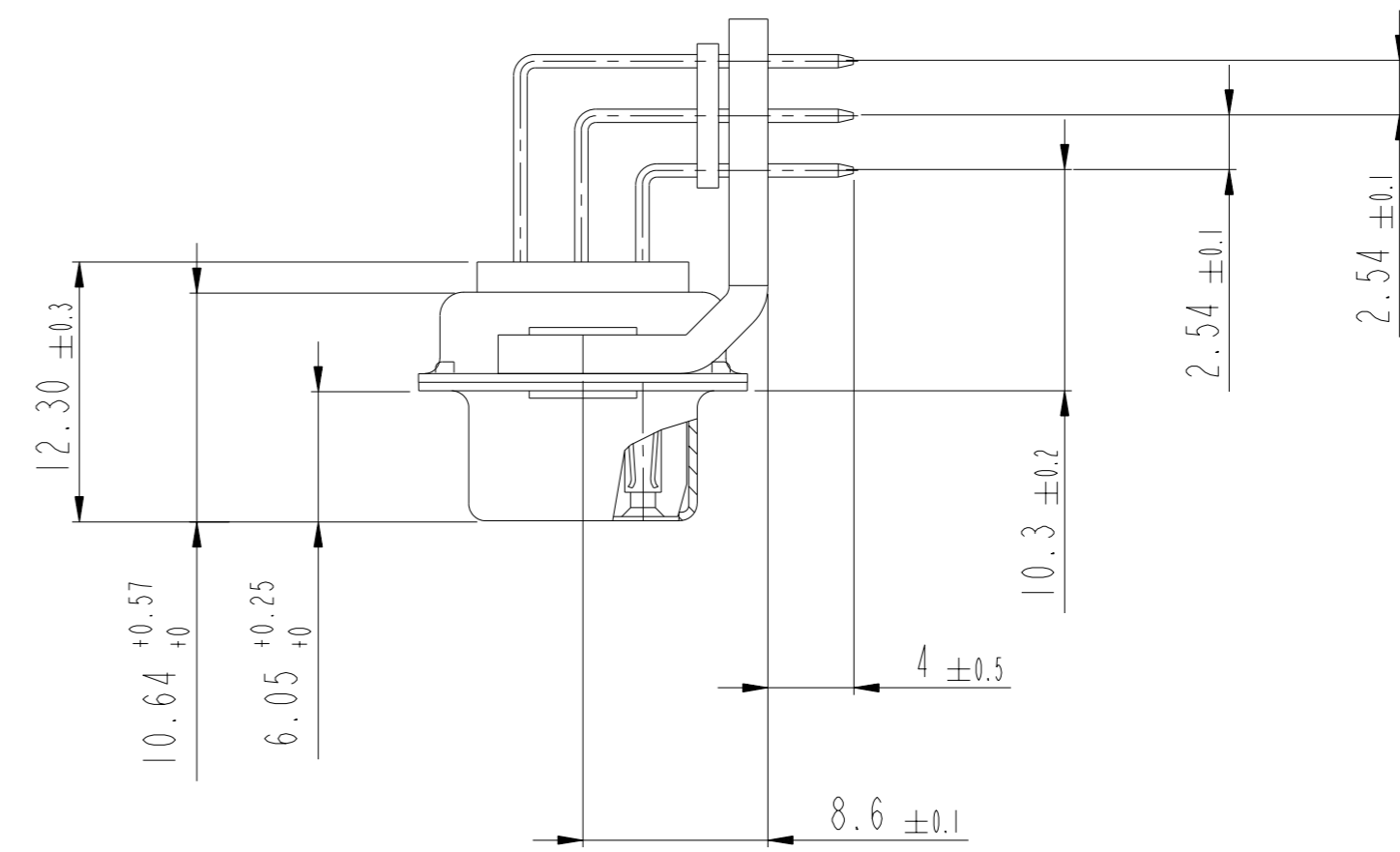
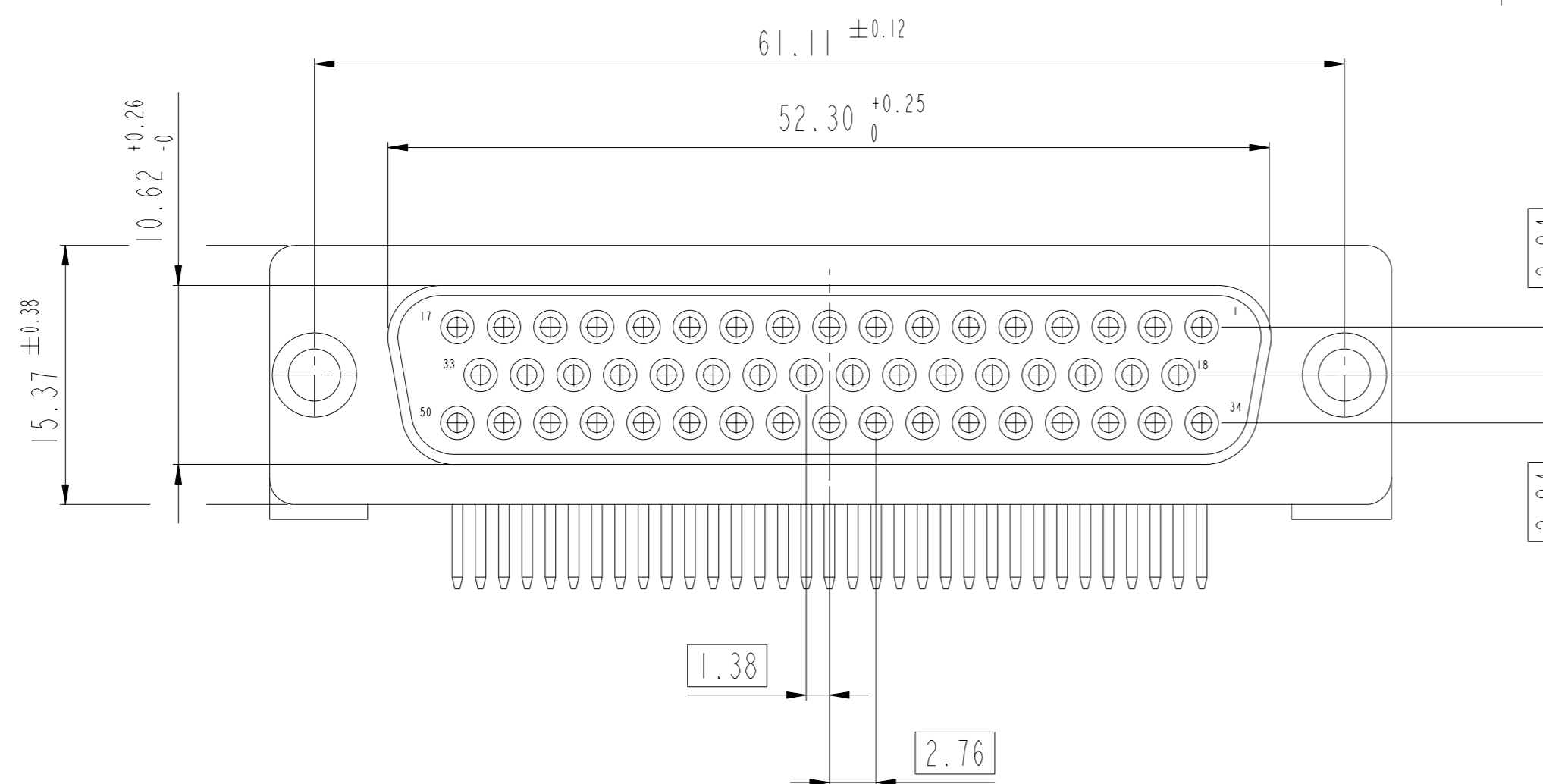
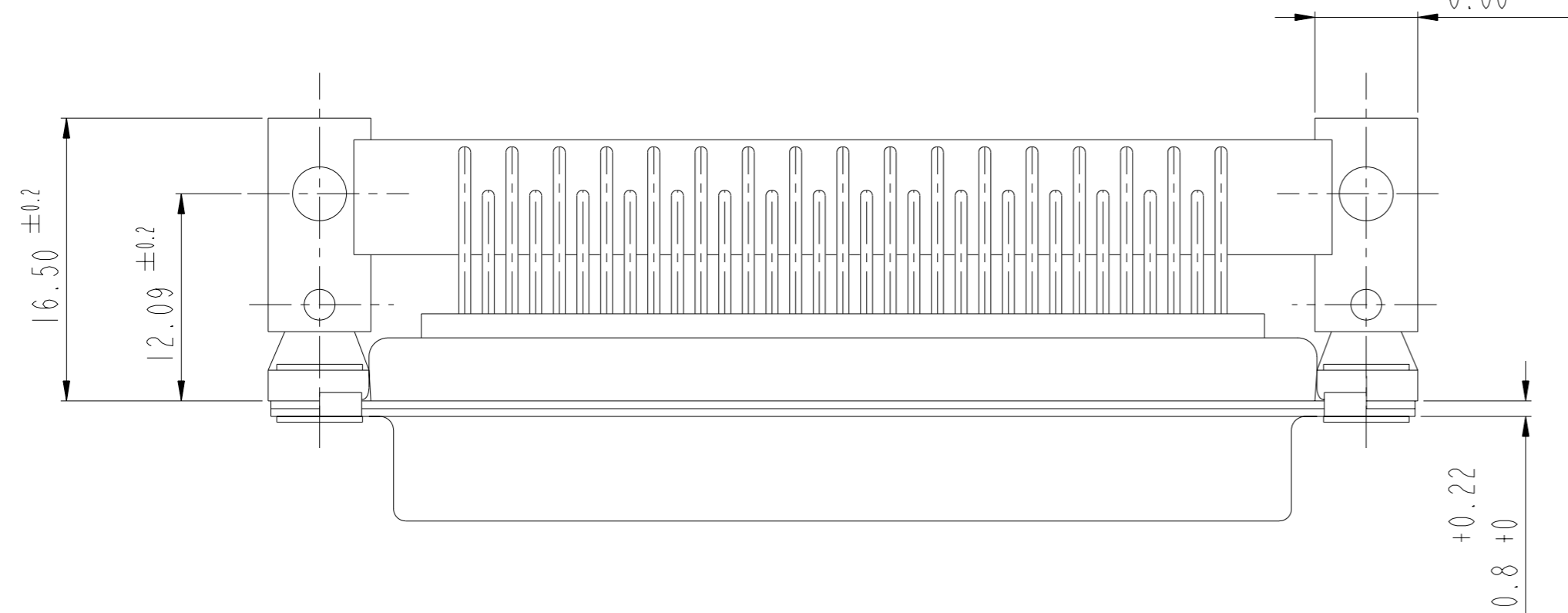
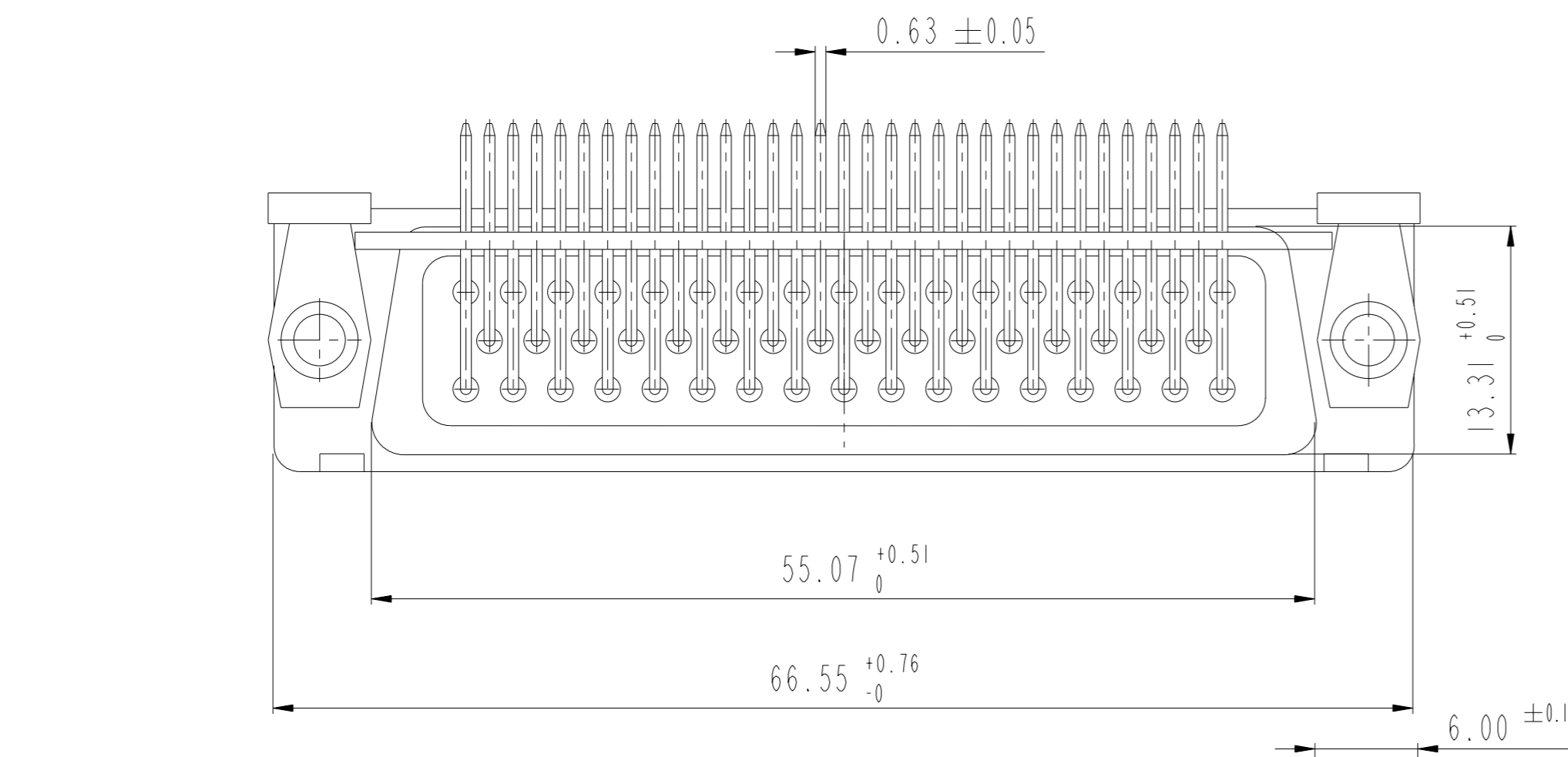
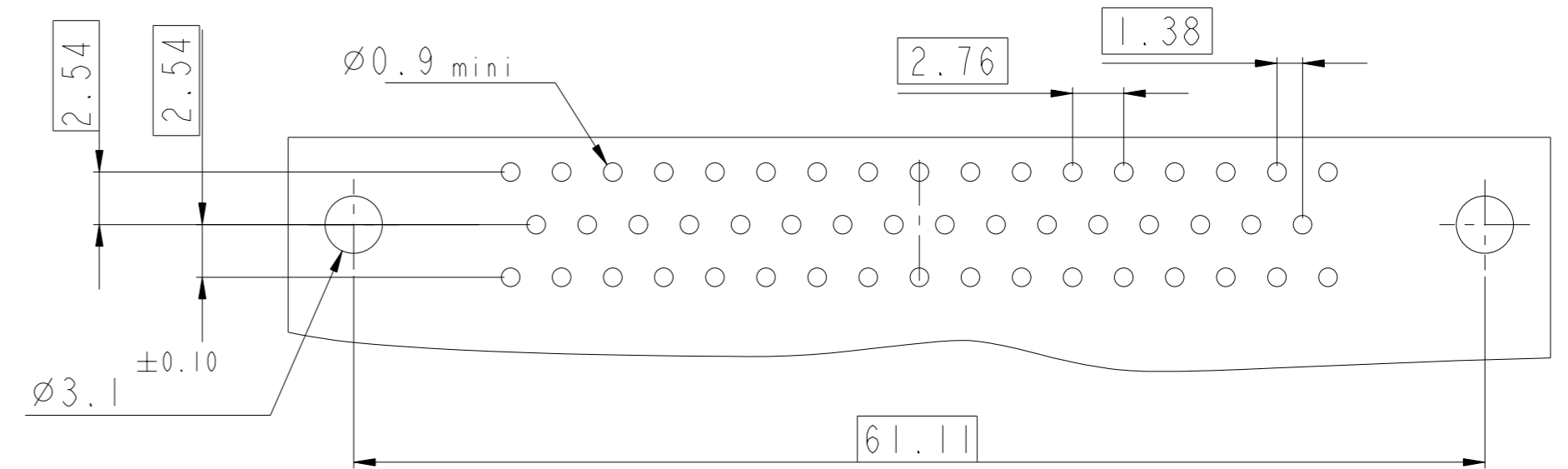


SCALE: 3

www.fciconnect.com			surface ISO 1302	tolerance std ISO 406 ISO 1101	projection mm
			TOLERANCES UNLESS OTHERWISE SPECIFIED		mm
Dr	M PESSON	2006/11/14	ANGULAR	0.X ±0.3	size A2
Eng	P LEGARE	2006/11/14	LINEAR	0.XX ±0.1	Scale 2:1
Chr	P LEGARE	2006/11/14	0° ±2°	0.XXX ±0.05	ECN LS06-0174
Appr	P LEGARE	2006/11/14	Product family	-	Spec ref
FCi TITLE SUB FEMALE DM HE508 series with right angle contact catalog no -			dwg no C01-8637-1748 Rev. A		CUSTOMER sheet 7 of 9

SHELL SIZE D WITH METAL BRACKET (50 contacts)

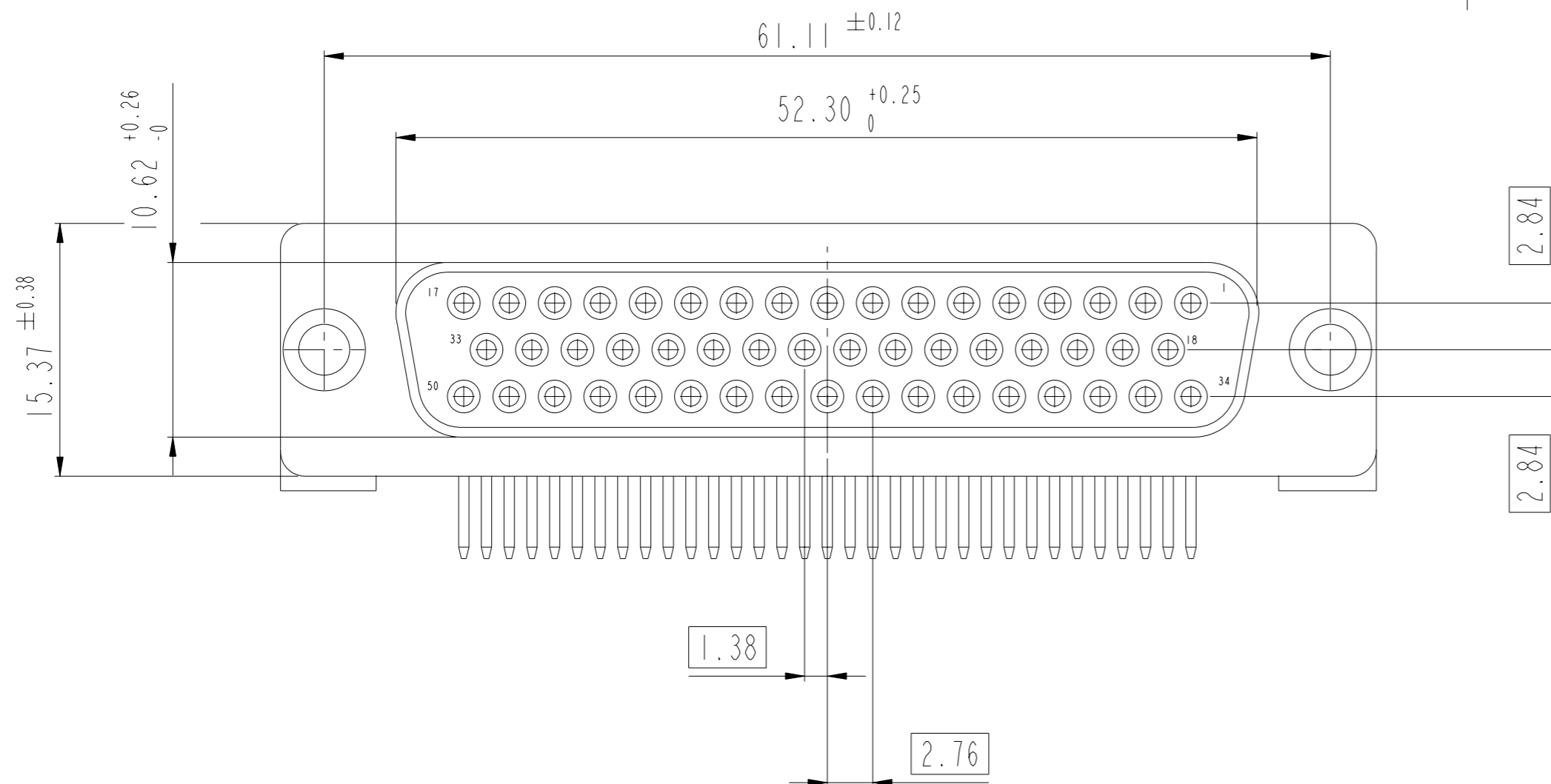
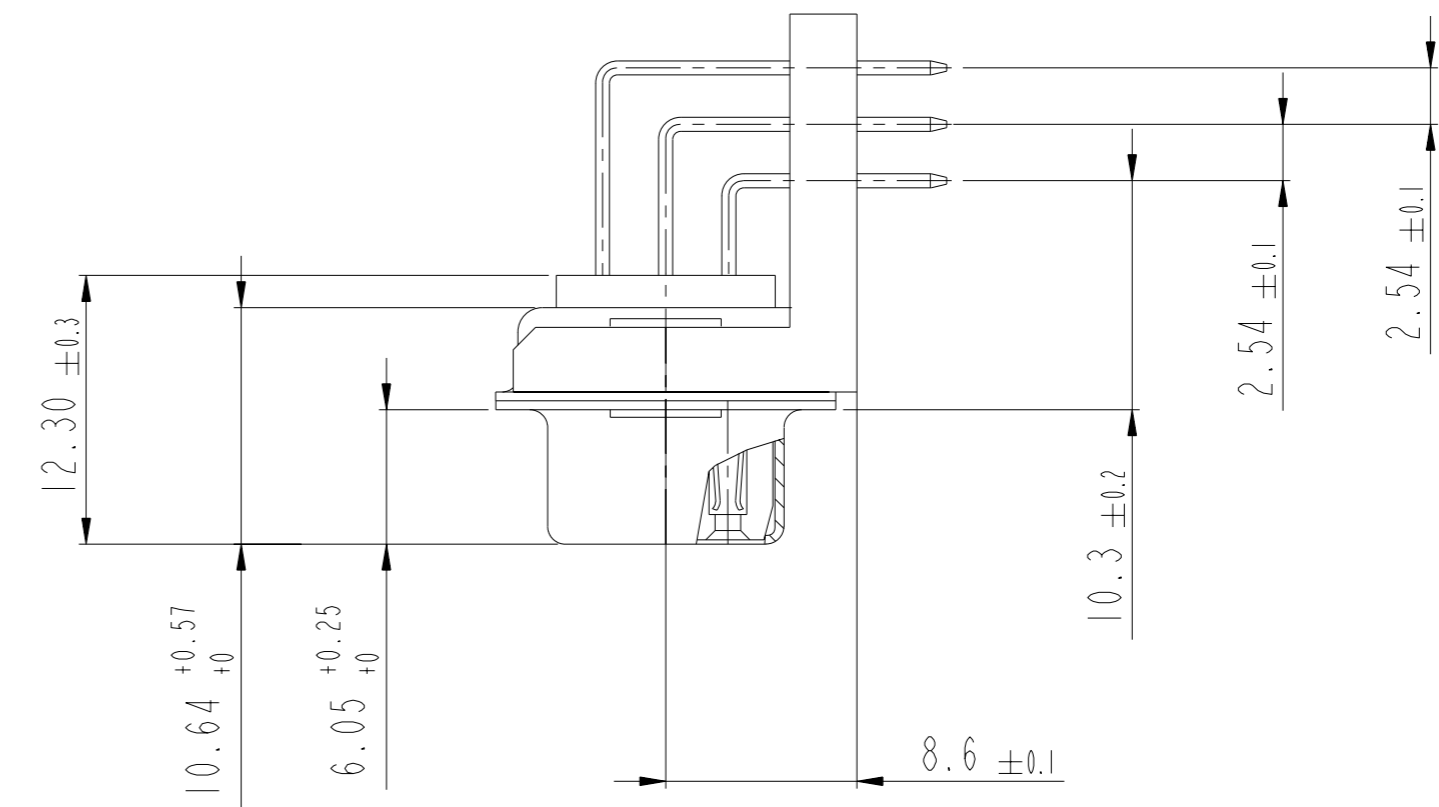
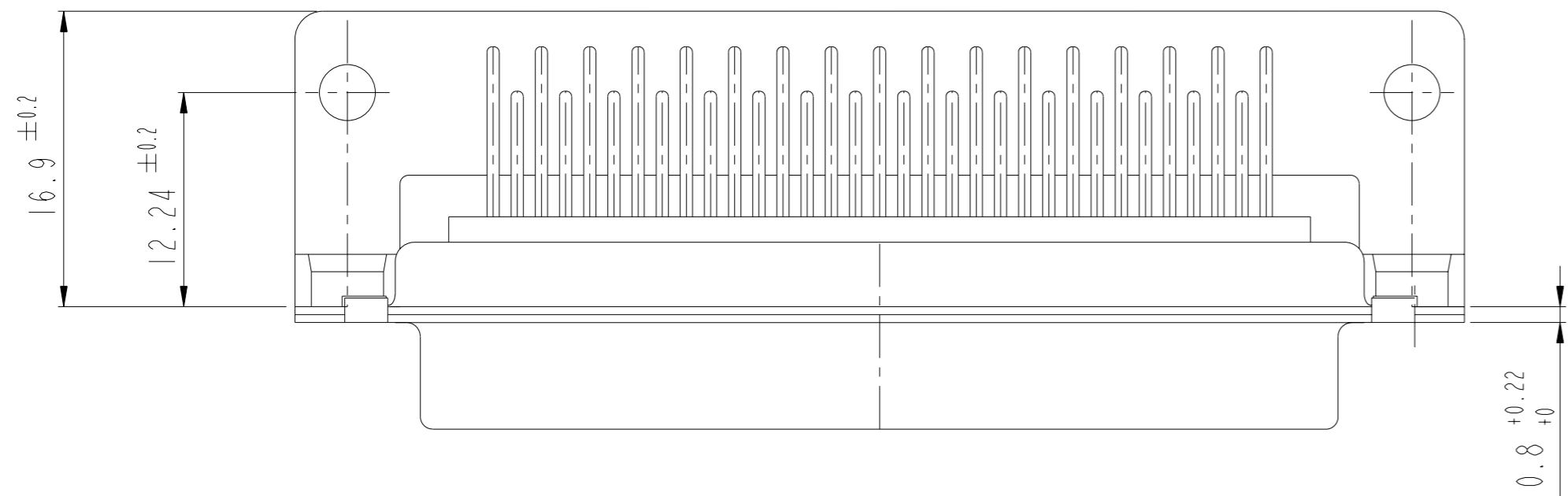
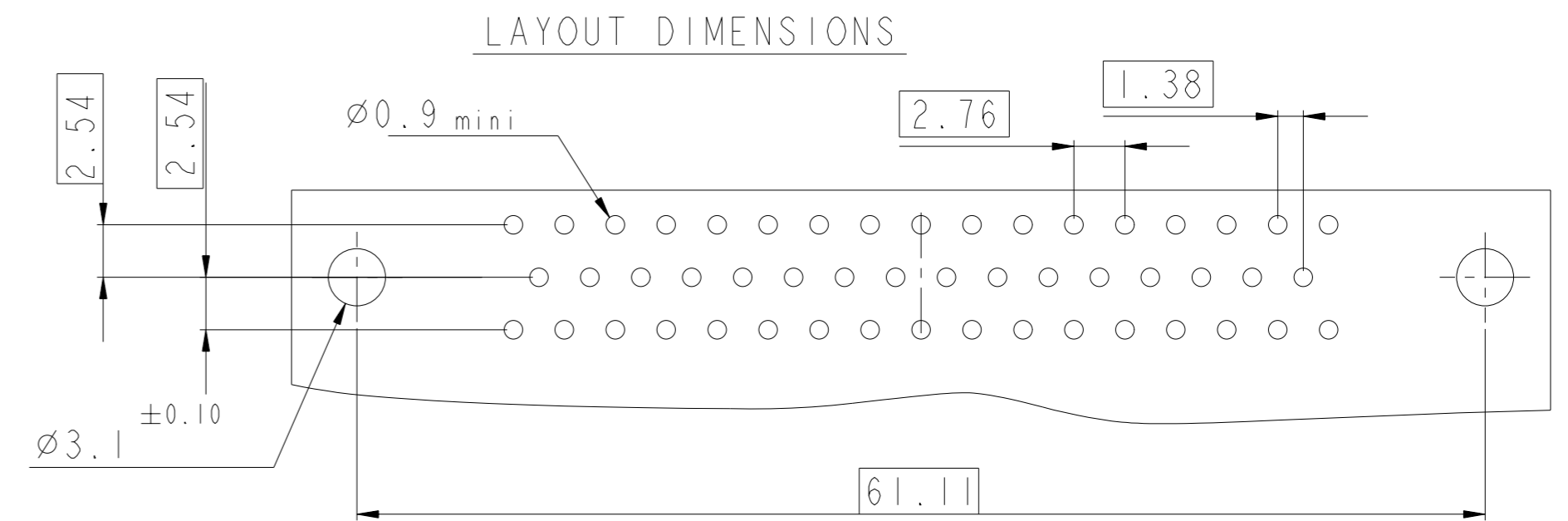
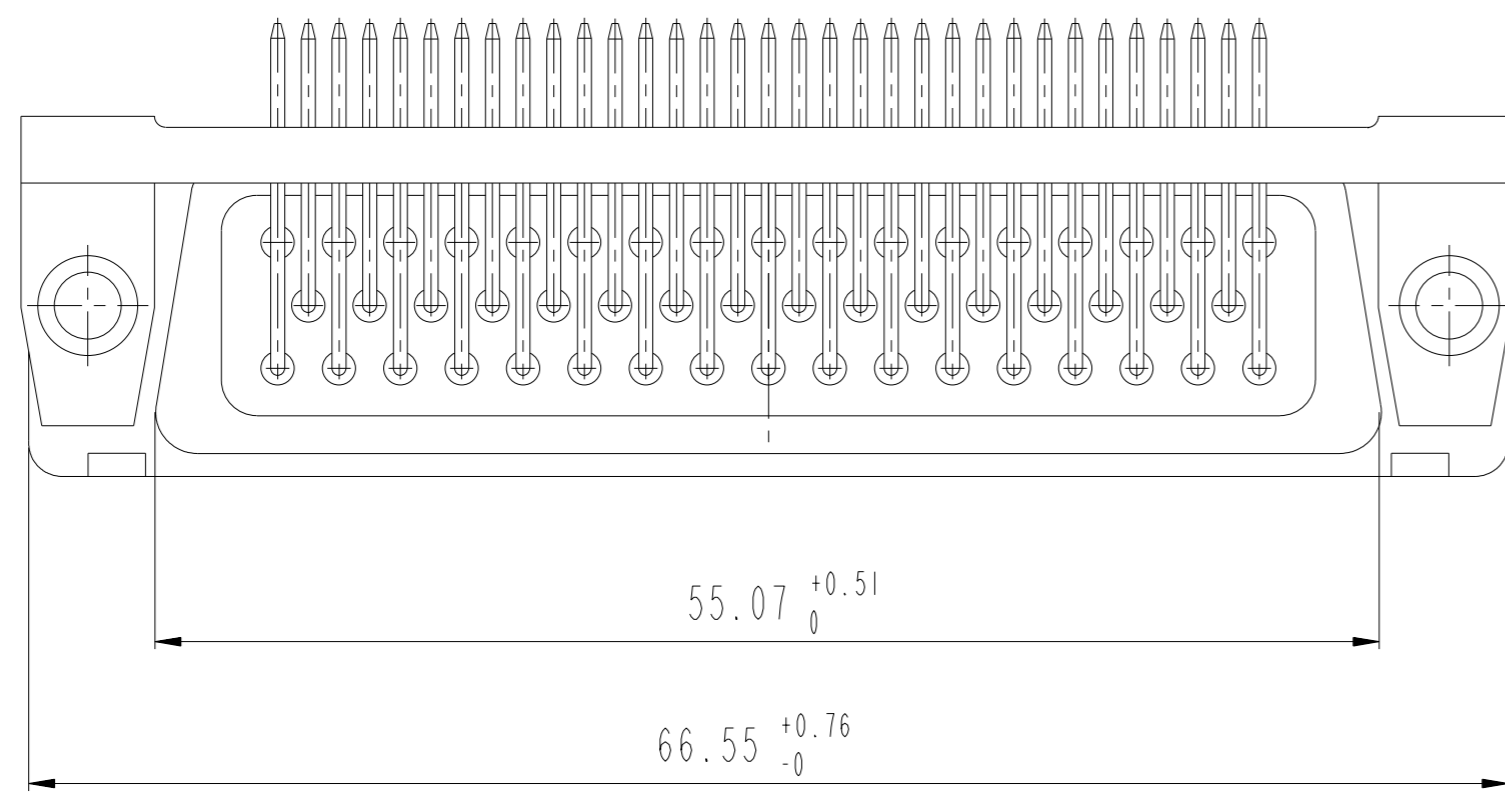
LAYOUT DIMENSIONS



SCALE: 3

www.fciconnect.com		surface ISO 1302	tolerance std ISO 406 ISO 1101	projection mm
		TOLERANCES UNLESS OTHERWISE SPECIFIED		mm
Dr	M PESSON	2006/11/14	ANGULAR	size A2
Eng	P LEGARE	2006/11/14	LINEAR	Scale 2:1
Chr	P LEGARE	2006/11/14	0° ± 2°	ECN LS06-0174
Appr	P LEGARE	2006/11/14	Product family	- Spec ref
		TITLE SUB FEMALE DM HE508 series with right angle contact		dwg no C01-8637-1748 Rev. A
catalog no		CUSTOMER		sheet 8 of 9

SHELL SIZE D WITH PLASTIC BRACKET (50 contacts)



SCALE: 3

www.fciconnect.com			surface - <input checked="" type="checkbox"/> ISO 1302	tolerance std - <input checked="" type="checkbox"/> ISO 406 ISO 1101	projection	mm
			TOLERANCES UNLESS OTHERWISE SPECIFIED			
Dr	M PESSON	2006/11/14	ANGULAR	0.X	±0.3	size
Eng	P LEGARE	2006/11/14	LINEAR	0.XX	±0.1	A2
Chr	P LEGARE	2006/11/14	0° ±2°	0.XXX	±0.05	ECN
Appr	P LEGARE	2006/11/14	Product family	- Spec ref		
			title SUB FEMALE DM HE508 series with right angle contact		dwg no C01-8637-1748 Rev. A	sheet 9 of 9
			CUSTOMER			