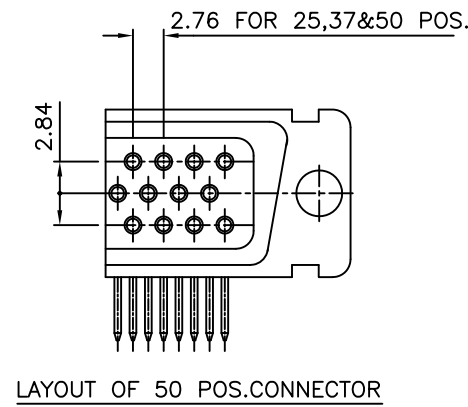
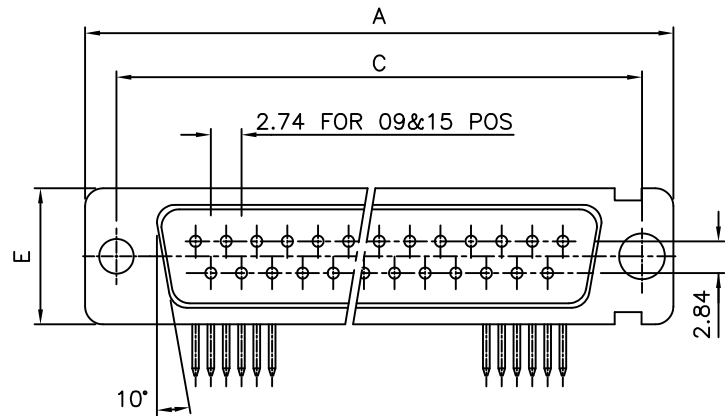


TECHNICAL SPECIFICATIONS

- SHELLS : TIN/ZINC PLATED STEEL
- INSULATOR MATERIAL : SELF EXTINGUISHING THERMOPLASTIC- TO UL CLASS 94 V0. THE HOUSING WILL WITHSTAND EXPOSURE TO 260-265°C IF WE USE PROTECTIVE ADHESIVE (Kapton or Teflon) OR PROTECTIVE METALLIC DEVICE
- CONTACTS DIA ON ACTIVE AREA : Ø1 MM.
- CONTACTS MATERIAL : COPPER ALLOY
- CONTACT PLATING : GXT / GOLD OVER NICKEL
- OPERATING TEMPERATURE : -55°C +125°C
- OPERATING CURRENT : 7.5 A PER CONTACT
- CONTACT RESISTANCE : ≤7.3 m Ω
- INSULATION RESISTANCE : ≥5000 M Ω
- MAXIMUM VOLTAGE : 1000 V.r.m.s
- MECHANICAL ENDURANCE : 500 MATINGS MIN.FOR CODE 65
200 MATINGS MIN.FOR CODE 64
- DAMP HEAT : 56 DAYS FOR CODE 65
21 DAYS FOR CODE 64

50	P	66.65	52.68	61.11	11.08	14.99	11.09	5.85	1.0
	S	66.65	52.30	61.11	10.62	14.99	11.21	6.05	0.8
37	P	68.94	55.30	63.50	8.23	12.17	11.09	5.85	1.0
	S	68.94	54.71	63.50	7.77	12.17	11.21	6.05	0.8
25	P	52.65	38.84	47.04	8.23	12.17	11.07	5.85	0.8
	S	52.65	38.25	47.04	7.77	12.17	11.21	6.05	0.8
15	P	38.76	25.12	33.32	8.23	12.17	10.99	5.85	0.8
	S	38.76	24.54	33.32	7.77	12.17	11.21	6.05	0.8
09	P	30.43	16.79	24.99	8.23	12.17	10.99	5.85	0.8
	S	30.43	16.21	24.99	7.77	12.17	11.21	6.05	0.8
SHELL SIZE	A-0	+0.76							
	B-0	+0.25							
C		±0.12							
	D-0	+0.25							
E		+0.76							
	F MAX								
G-0		+0.15							
	H-0	+0.22							

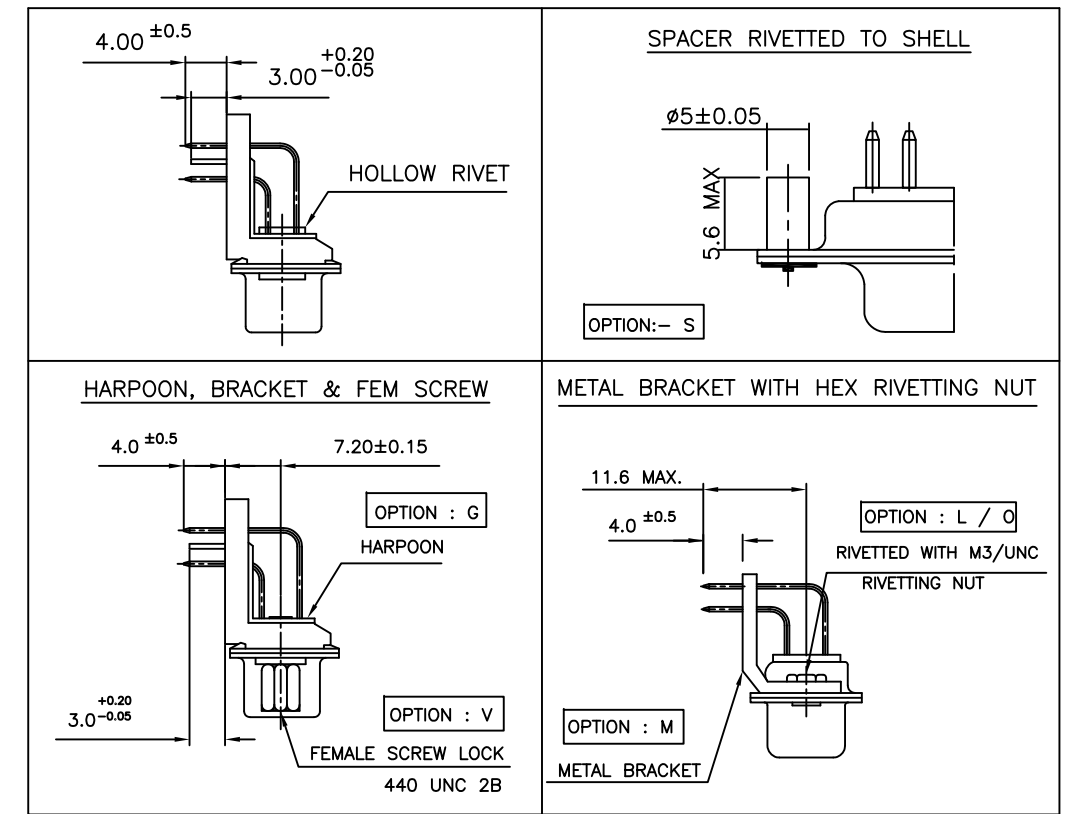
NOTE:-INSIDE DIMENSIONS OF MALE AND OUTSIDE DIMENSIONS OF THE FEMALE CONNECTOR.



"This LF product meets European Union Directives and other country regulations as described in GS-22-008"
 The housing will withstand exposure to 260°C peak temperature for 3.5 seconds in a wave solder application with a 1.6mm minimum thick circuit board.
 Packaging as per GS-14-920

ORDERING INFORMATION

SERIES	D B P V 25 P 5 64 C T X XXX LF	LEAD FREE
SHELL SIZE	E,A,B,C,D	SPECIAL CODES
CHARACTERISATION	P-DP SERIES	DIMPLES
OPTIONS-1	BLANK-STANDARD L-CLINCH NUT (M3) O-CLINCH NUT (UNC) V-FEM. SCREW LOCK HEX. (UNC) S-SPACER RIVETTED TO SHELL	X-ON MALE CONNECTORS ONLY
NO.OF CONTACTS	09,15,25,37,50	SHELL PLATING
CONTACTS	P - PIN S - SOCKET	T-STD TIN over Cu
TERMINATION TYPE	5-ANGLED SPILL 2.54mm BETWEEN ROWS 8-ANGLED SPILL 2.84mm BETWEEN ROWS	OPTIONS-2
		BLANK-WITH PLASTIC BRACKET G-HARPOON M-METAL BRACKET C-WITHOUT BRACKET
		CONTACT PLATING
		64 - 200 MATING CYCLES 65 - 500 MATING CYCLES



mat'l. code	surface	tolerance	projection	product family
	ISO 1302	ISO 406 ISO 1101		D SUB
ltr	ecn no	dr	date	title
G	i06-0074	GVJ	2006-06-08	D-SUB A/S CONNECTOR
H	I08-0047	MRA	2008-03-25	(DP SERIES WITH ASSEMBLY OPTIONS)
J	I09-0075	MRA	2009-05-14	
K	I11-0016	MRA	2010-09-02	
		dr	Mini K Vandanath 1999-03-20	dwg no
		enr	George V Joseph 1999-03-20	sheet 1 of 1
		chr	Abhilash M.R 2009-05-14	size
		appd	Sudhir Varma 2009-05-14	A3
sheet index	revision	K		type
	sheet	1		Product Customer Drawing