

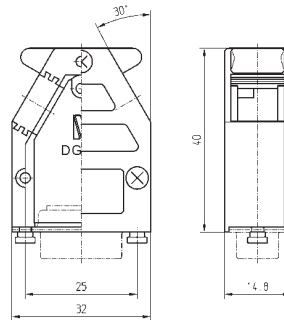
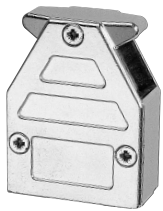
Standard hoods for external locking systems – Overall height 40mm

- EMI / RFI shielding all metal hoods made from die-cast zinc
- Stable mechanical construction
- Large dimensioned cable space inside the hoods
- Central grounding post inside the hoods
- Hoods with 2 or 3 cable openings permit a free selection of the cable input, or to make in / out parallel connections
- Cable entries with double dove-tail grooves for low impedance connections
- Unused cable openings will be EMI / RFI protected by inserting included metal plugs
- For the best EMI / RFI protection, high cable retention force and rapid assembly, **Inotec** recommends its outstanding crimp flange system
- As an alternative, cable retention may be performed by available die-cast zinc cable clamps
- Accessories: see page 36 foll.

DG09M1

for standard 9 way or 15 way HD D-Sub

Dimensions in mm



Hood assembly consists of:

- 1 Metal hood with cover¹⁾
 - 1 Metal plug
 - 1 Screw M2,5x4,5 for grounding post
 - 3 Cover screws M2,5x7
 - 2 Special screws 4-40 UNCx7,5 for connector and slide lock fastening
- All screws with self forming thread

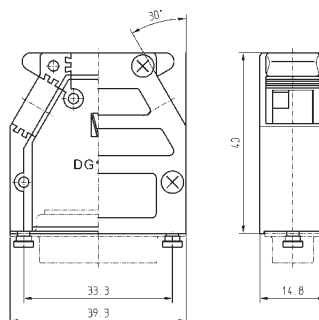
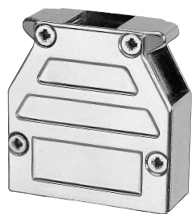
¹⁾ Metal hoods can also be delivered with thread **4-40** or **M3**.

Part No. DG09M1/4-40, DG09M1-3
Delivery without special screws

DG15M1

for standard 15 way or 26 way HD D-Sub

Dimensions in mm



Hood assembly consists of:

- 1 Metal hood with cover¹⁾
 - 2 Metal plugs
 - 1 Screw M2,5x4,5 for grounding post
 - 4 Cover screws M2,5x7
 - 2 Special screws 4-40 UNCx7,5 for connector and slide lock fastening
- All screws with self forming thread

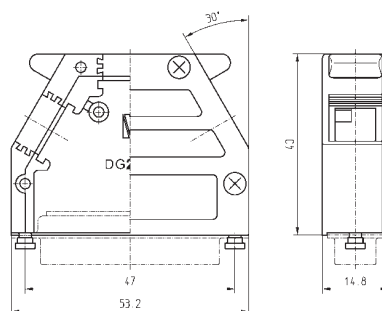
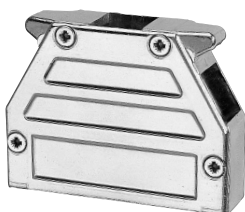
¹⁾ Metal hoods can also be delivered with thread **4-40** or **M3**.

Part No. DG15M1/4-40, DG15M1-3
Delivery without special screws

DG25M1

for standard 25 way or 44 way HD D-Sub

Dimensions in mm



Hood assembly consists of:

- 1 Metal hood with cover¹⁾
 - 2 Metal plugs
 - 1 Screw M2,5x4,5 for grounding post
 - 4 Cover screws M2,5x7
 - 2 Special screws 4-40 UNCx7,5 for connector and slide lock fastening
- All screws with self forming thread

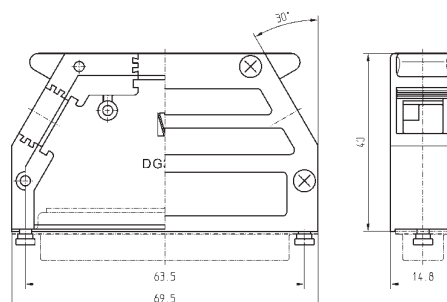
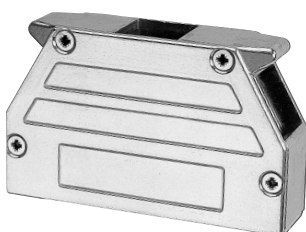
¹⁾ Metal hoods can also be delivered with thread **4-40** or **M3**.

Part No. DG25M1/4-40, DG25M1-3
Delivery without special screws

DG37M1

for standard 37 way or 62 way HD D-Sub

Dimensions in mm



Hood assembly consists of:

- 1 Metal hood with cover¹⁾
 - 2 Metal plugs
 - 1 Screw M2,5x4,5 for grounding post
 - 4 Cover screws M2,5x7
 - 2 Special screws 4-40 UNCx7,5 for connector and slide lock fastening
- All screws with self forming thread

¹⁾ Metal hoods can also be delivered with thread **4-40** or **M3**.

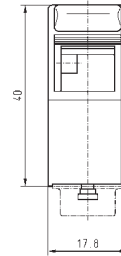
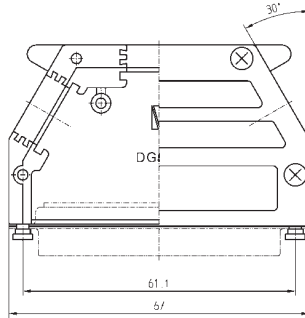
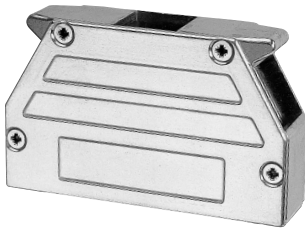
Part No. DG37M1/4-40, DG37M1-3
Delivery without special screws

Standard hoods for external locking systems – Overall height 40mm

DG50M1

for standard 50 way or 78 way HD D-Sub

Dimensions in mm



Hood assembly consists of:

- 1 Metal hood with cover¹⁾
 - 2 Metal plugs
 - 1 Screw M2,5x4,5 for grounding post
 - 4 Cover screws M2,5x7
 - 2 Special screws 4-40 UNCx7,5 for connector and slide lock fastening
- All screws with self forming thread

¹⁾ Metal hoods can also be delivered with thread **4-40** or **M3**.

Part No. DG50M1/4-40, DG50M1-3
Delivery without special screws

Technical information and applications

Robust metal hoods made out of die-cast zinc with excellent protective characteristics against destructive radiation, for D-Sub connectors corresponding to DIN 41652/MIL-C-24308. The **M1** series was developed by Inotec for externally applied slide locks, such as the **Inotec** series **DV**. This hood series is specifically used where cables are required to be frequently coupled and the utilization of jack screw-type hoods are either too cumbersome or time consuming. The hood width of the 9-37 way hoods is 14,8mm and can be used with the 15,08mm front plate units of a 19" rack-system and be aligned without any interference to one another.

There are gripping shoulders on the hood end which enable a trouble-free extraction of the connection even with tightly packed aligned hoods, without the need for that bad habit of pulling on the cables.

The interior space is well proportioned to allow ample room for all expected cabling. Every hood permits the looping through of cables. The cable entries are lined with grooves in which the pre-assembled crimp flanges or cable clamps with the corresponding cable are pressed in. Cable entries not required are sealed with the supplied metal plugs.

